



US00D353476S

United States Patent [19]

[11] Patent Number: **Des. 353,476**

Davis

[45] Date of Patent: **** Dec. 13, 1994**

[54] **ROCK SEPARATOR**

[76] Inventor: **Benjamin L. Davis**, P.O. Box 20303,
Oklahoma City, Okla. 73156-0303

[**] Term: **14 Years**

[21] Appl. No.: **13,082**

[22] Filed: **Sep. 17, 1993**

[52] U.S. Cl. **D30/106**

[58] Field of Search D7/409; D9/418, 432,
D9/341; 119/216, 224, 155, 903, 15, 15.1, 17;
206/376, 379, 429, 528, 558, 561, 593, 45.16,
214, 507; 209/17, 39, 44.1, 156, 173, 234, 244,
458, 488, 498, 506, 638, 700, 935; 211/69;
D15/147, 199; D24/224, 225, 226, 227, 229

[56] **References Cited**

U.S. PATENT DOCUMENTS

- D. 29,929 1/1899 Hodge D15/147 X
- 259,364 6/1882 Cauha e 206/528 X
- D. 302,019 7/1989 Dehien D15/147

- 1,352,490 9/1920 Wilkins 211/69
- 1,541,967 6/1925 Klinkenstein et al. 206/528 X
- 2,637,299 5/1953 Salkey 211/69 X

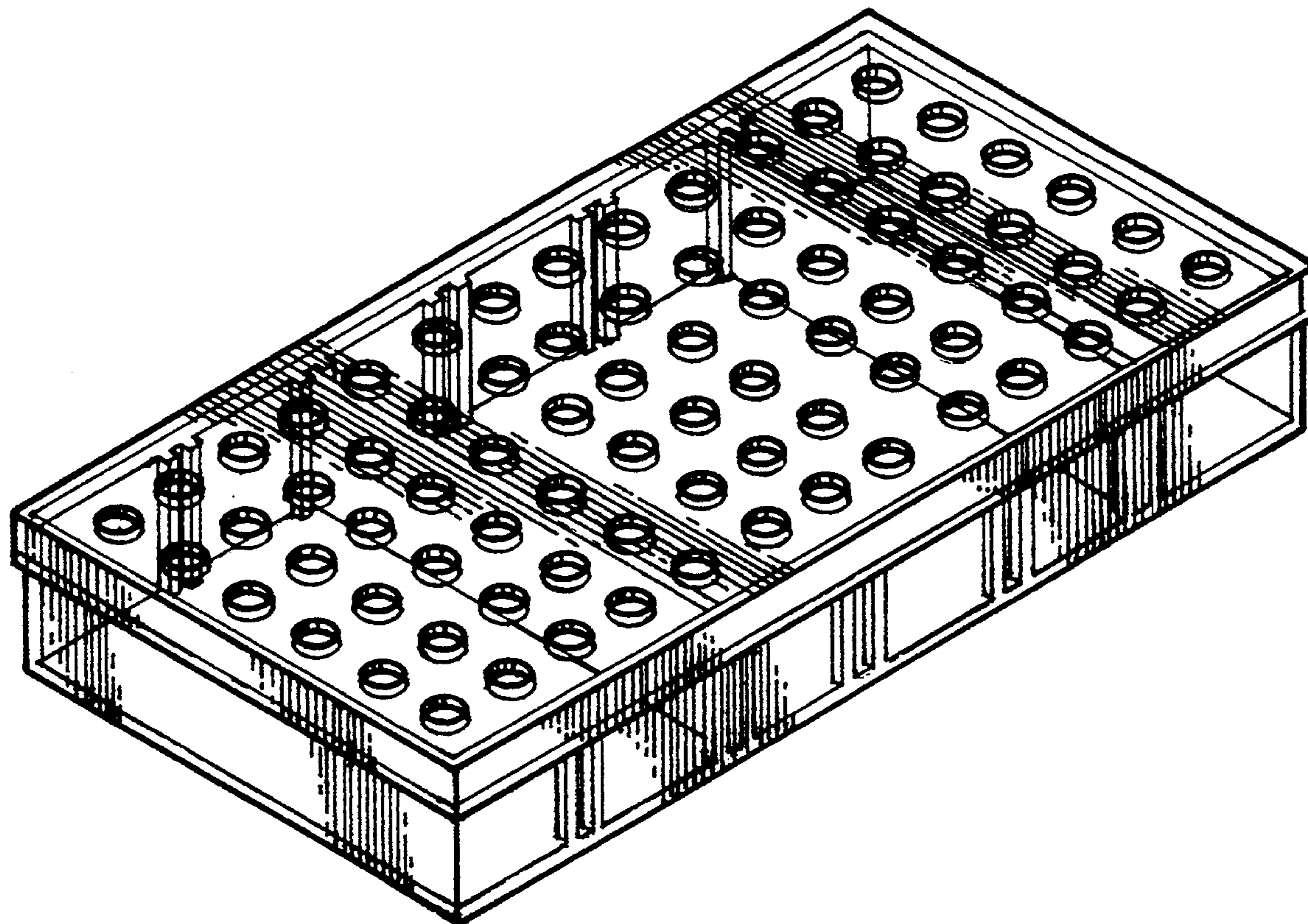
Primary Examiner—Nelson C. Holtje
Assistant Examiner—Antoine D. Davis
Attorney, Agent, or Firm—Terry M. Gernstein

[57] **CLAIM**

The ornamental design for a rock separator, as shown and described.

DESCRIPTION

FIG. 1 is a front, top and side perspective view of the rock separator showing my new design;
FIG. 2 is a top plan view thereof;
FIG. 3 is a bottom plan view thereof;
FIG. 4 is an end elevational view thereof, the end opposite being a mirror image of the end shown in FIG. 3; and,
FIG. 5 is a side elevational view thereof, the side opposite being a mirror image of the side shown in FIG. 4.



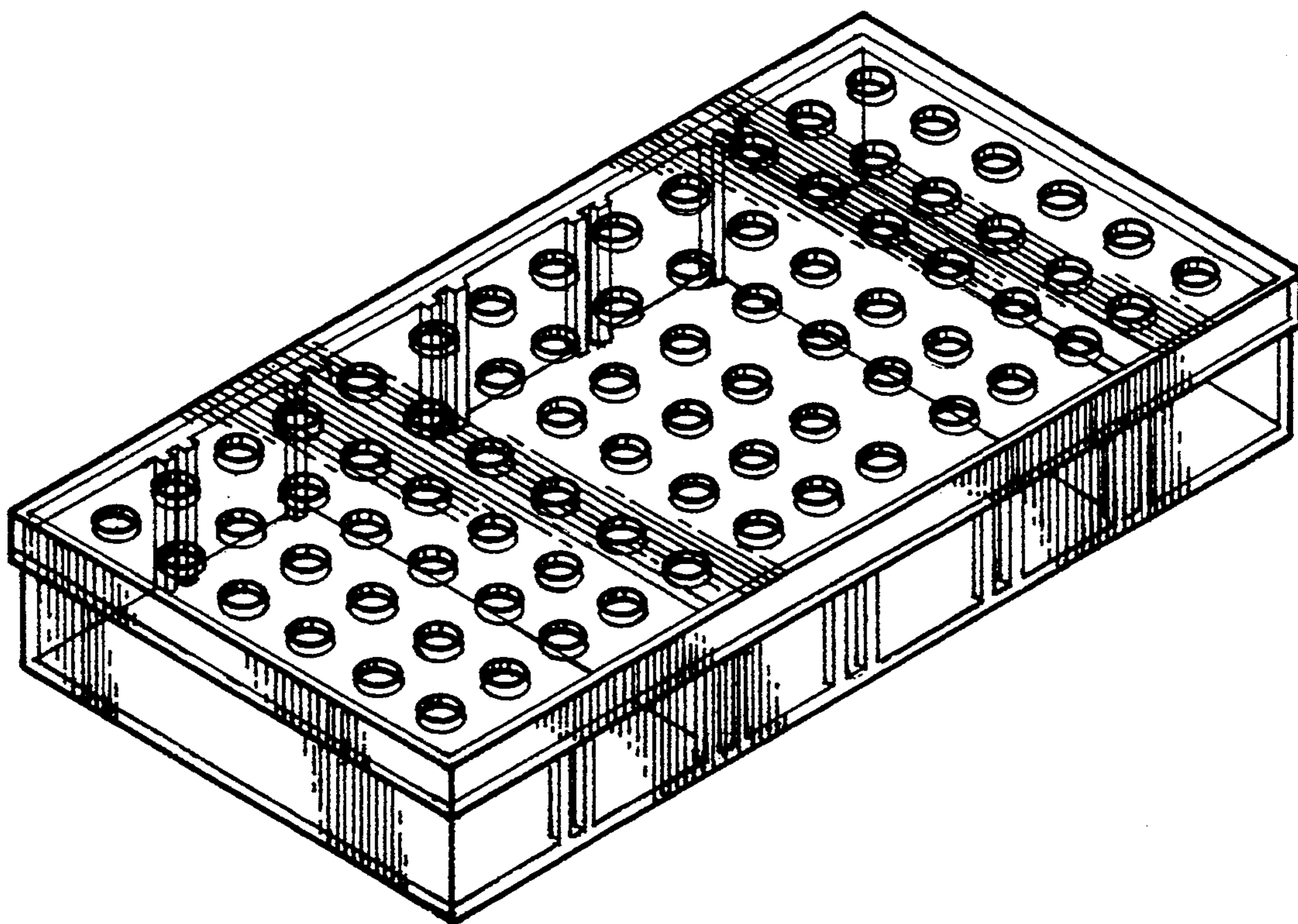


FIG. 1

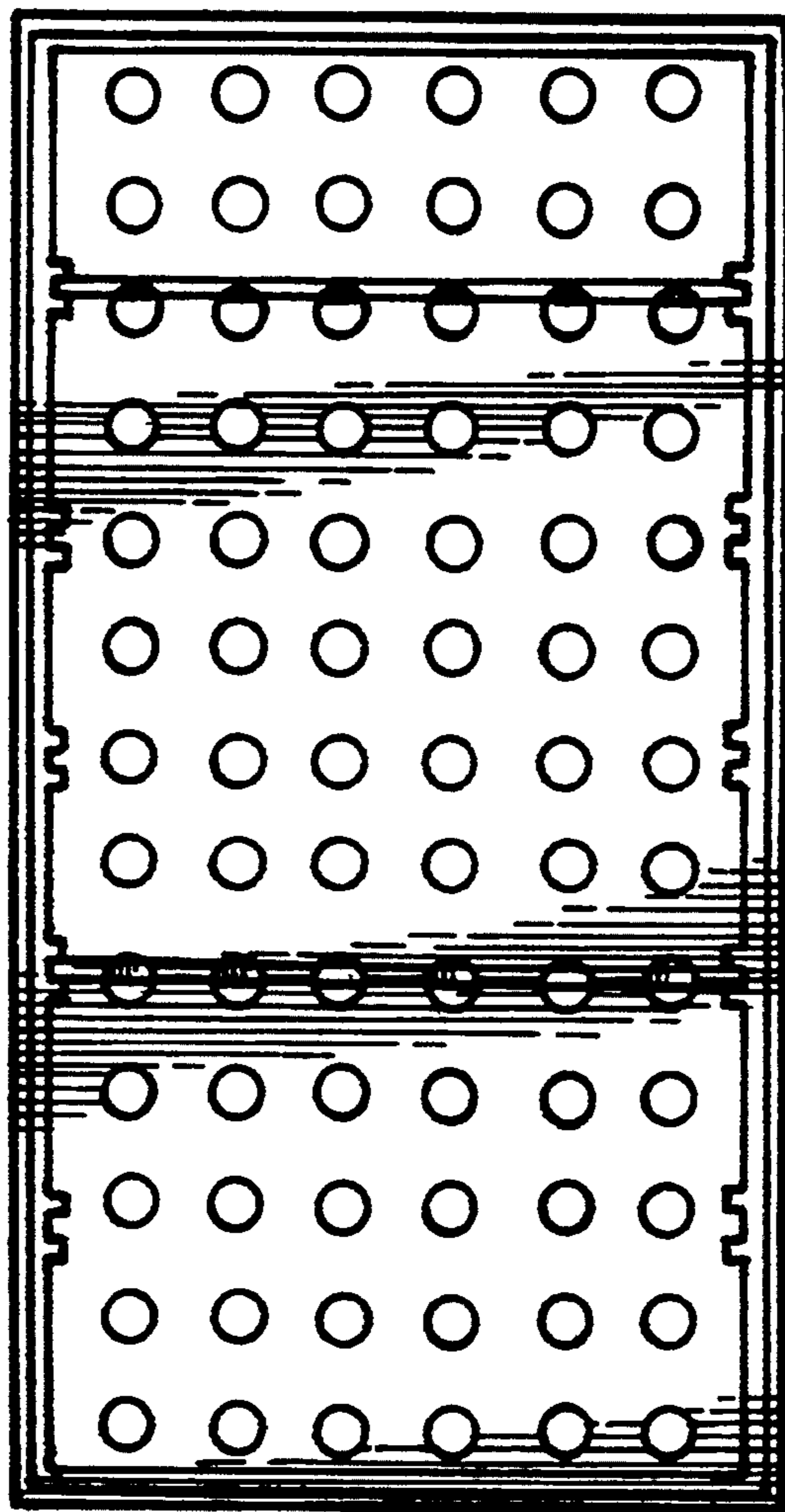


FIG. 2

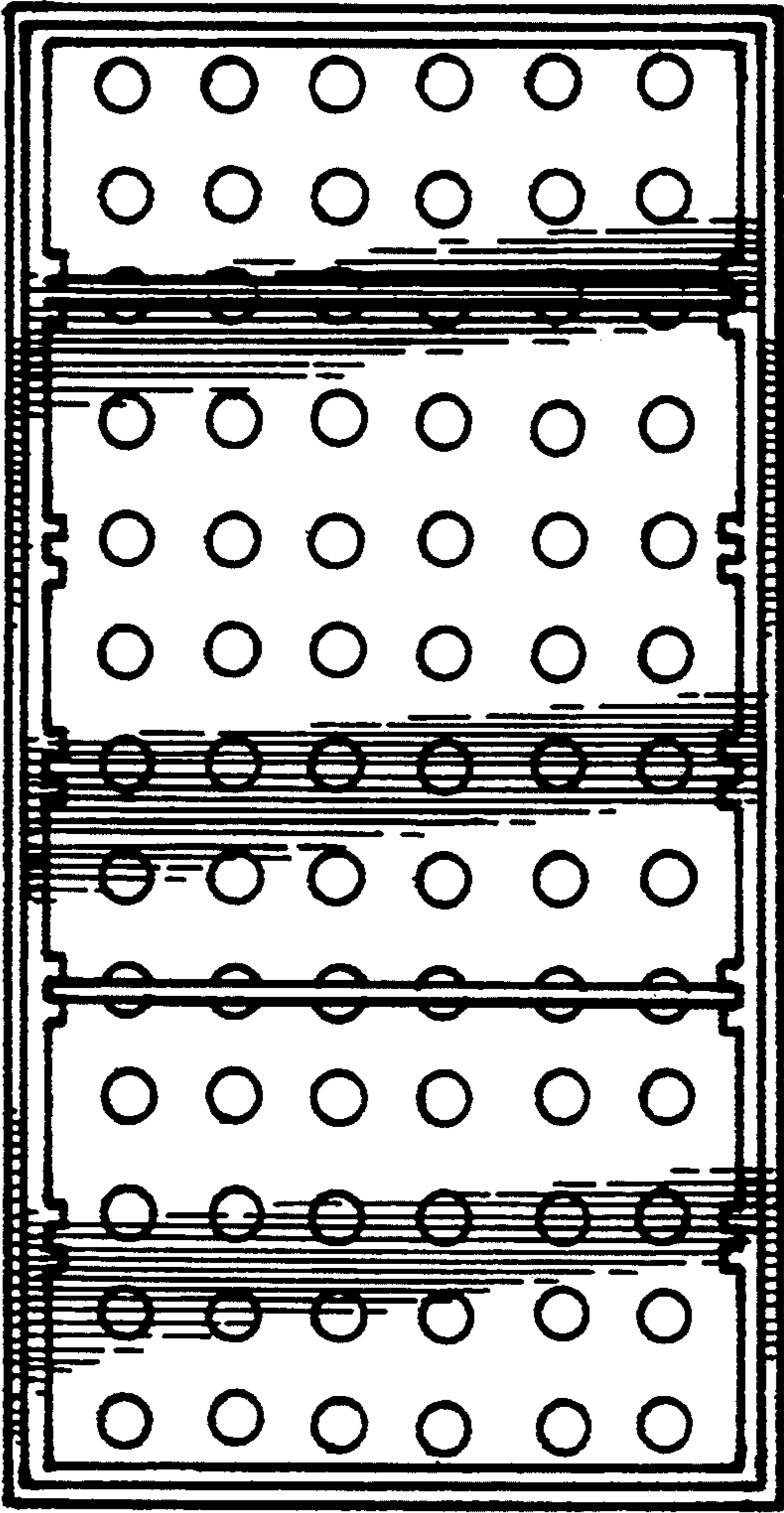


FIG. 3

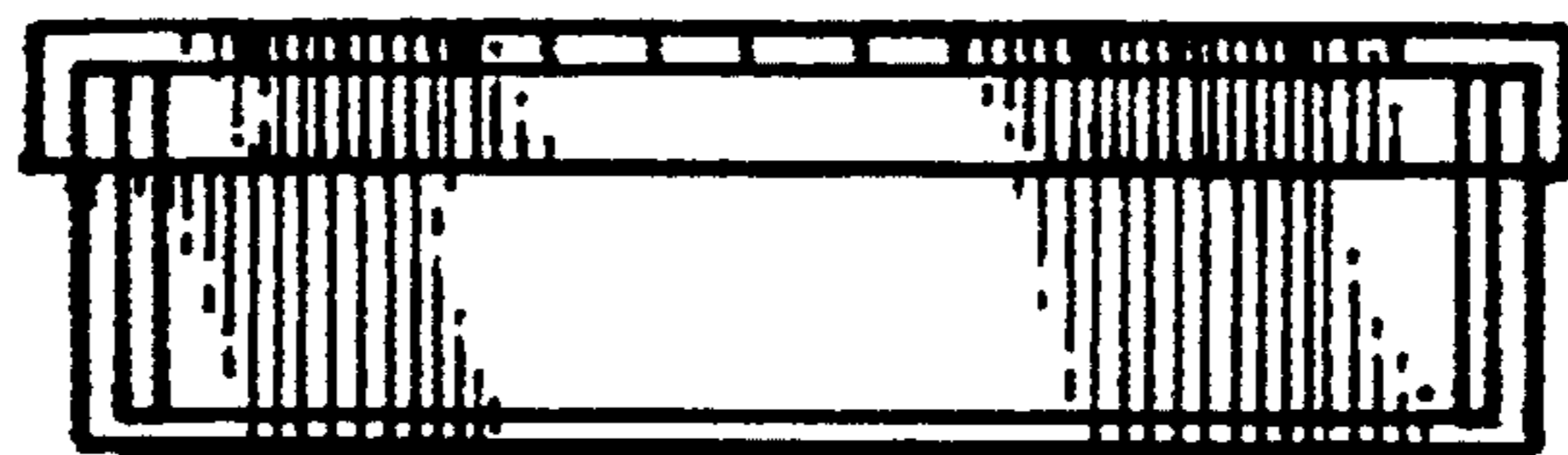


FIG. 4

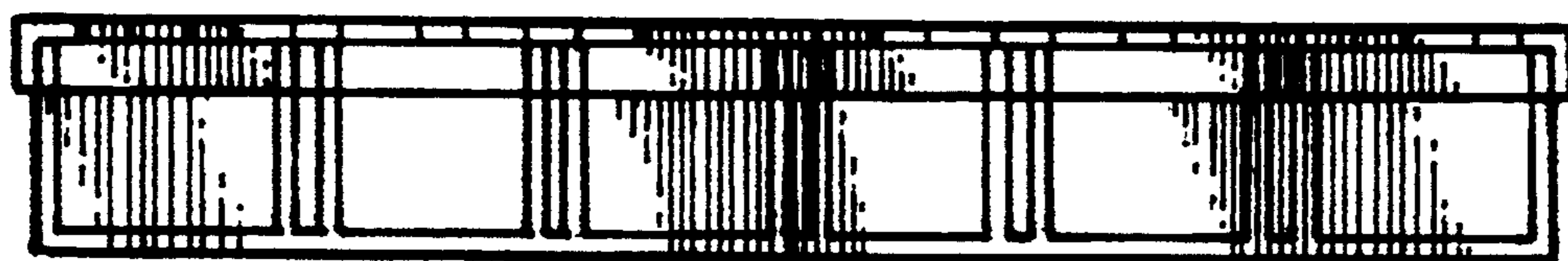


FIG. 5