



US00D353475S

# United States Patent [19]

[11] Patent Number: **Des. 353,475**

**Shemitz**

[45] Date of Patent: **\*\* Dec. 13, 1994**

[54] **POLE MOUNTED SLIPFITTER FOR SUPPORTING EXTERIOR LIGHTS**

[75] Inventor: **Sylvan R. Shemitz, Woodbridge, Conn.**

[73] Assignee: **Sylvan R. Schemitz Associates, Inc., West Haven, Conn.**

[\*\*] Term: **14 Years**

[21] Appl. No.: **878,891**

[22] Filed: **May 5, 1992**

[52] U.S. Cl. .... **D26/138**

[58] Field of Search ..... 362/431, 153, 249, 250; D26/67-71, 138, 140; D25/126, 127

[56] **References Cited**

**U.S. PATENT DOCUMENTS**

D. 161,660	1/1951	Sternaman .....	D26/65
3,508,731	4/1970	Jablonski .....	248/219.2
3,959,645	5/1976	Patry .....	362/431

**OTHER PUBLICATIONS**

WideLite™ Commercial Outdoor Lighting Catalog, p. 15, adapter bracket #SPB-14.

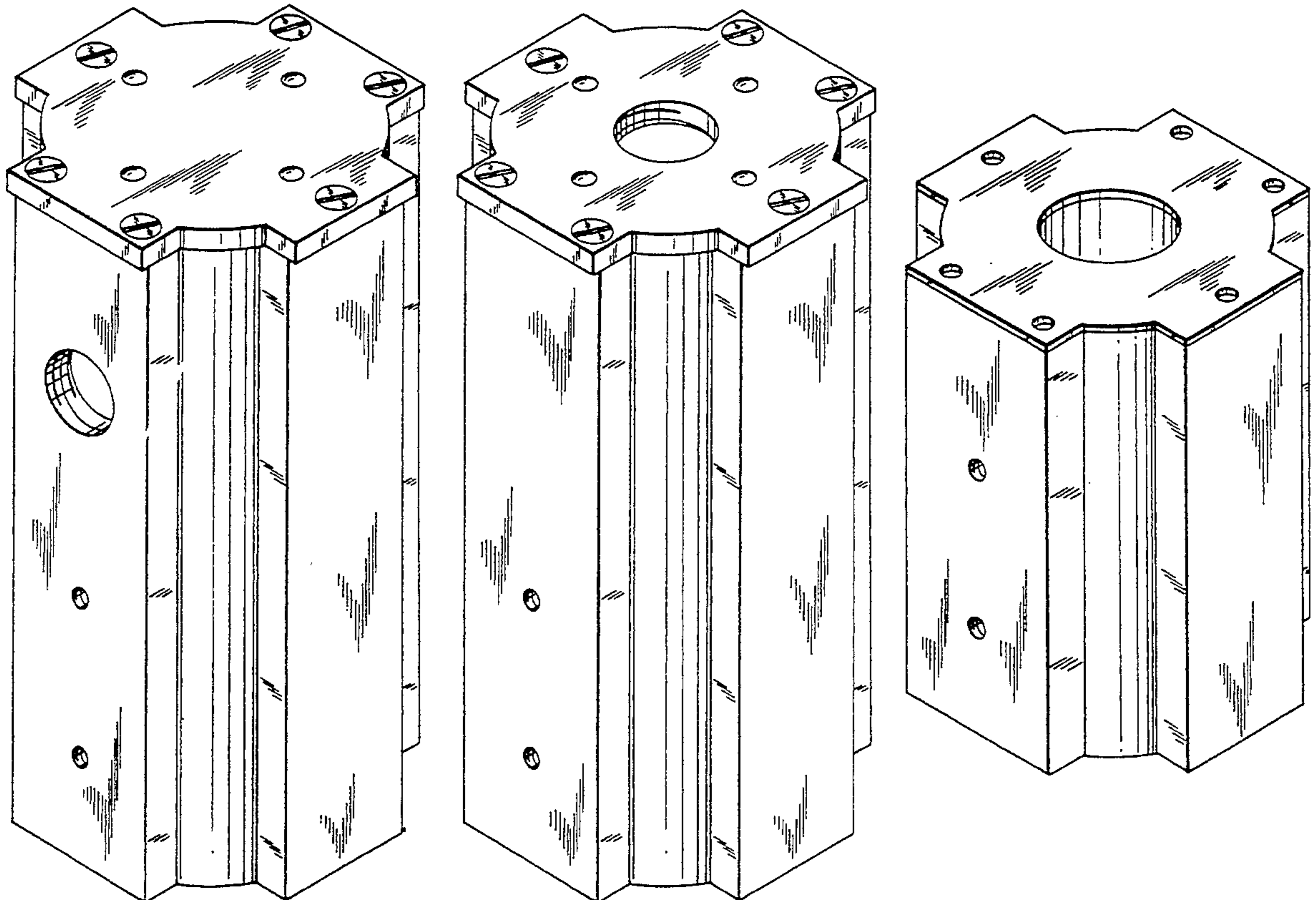
Primary Examiner—Susan J. Lucas

[57] **CLAIM**

The ornamental design for a pole mounted slipfitter for supporting exterior lights, as shown and described.

**DESCRIPTION**

FIG. 1 is a top, front, right side isometric view of a pole mounted slipfitter for supporting exterior lights showing a first embodiment of my new design;  
 FIG. 2 is a top plan view thereof;  
 FIG. 3 is a front side elevation view thereof;  
 FIG. 4 is a right side elevation view of a pole mounted slipfitter for supporting exterior lights showing the first and second embodiments of my new design;  
 FIG. 5 is a bottom plan view of a pole mounted slipfitter for supporting exterior lights showing the first and second embodiments of my new design;  
 FIG. 6 is a top, front, right side isometric view of a pole mounted slipfitter for supporting exterior lights showing a second embodiment of my new design;  
 FIG. 7 is a top plan view thereof;  
 FIG. 8 is a front side elevation view thereof;  
 FIG. 9 is a top, front, right side isometric view of a pole mounted slipfitter for supporting exterior lights showing a third embodiment of my new design;  
 FIG. 10 is a top plan view thereof;  
 FIG. 11 is a front side elevation view thereof;  
 FIG. 12 is a right side elevation view thereof; and,  
 FIG. 13 is a bottom plan view thereof.  
 The rear and left sides of each embodiment are mirror images of the front and right sides, respectively.



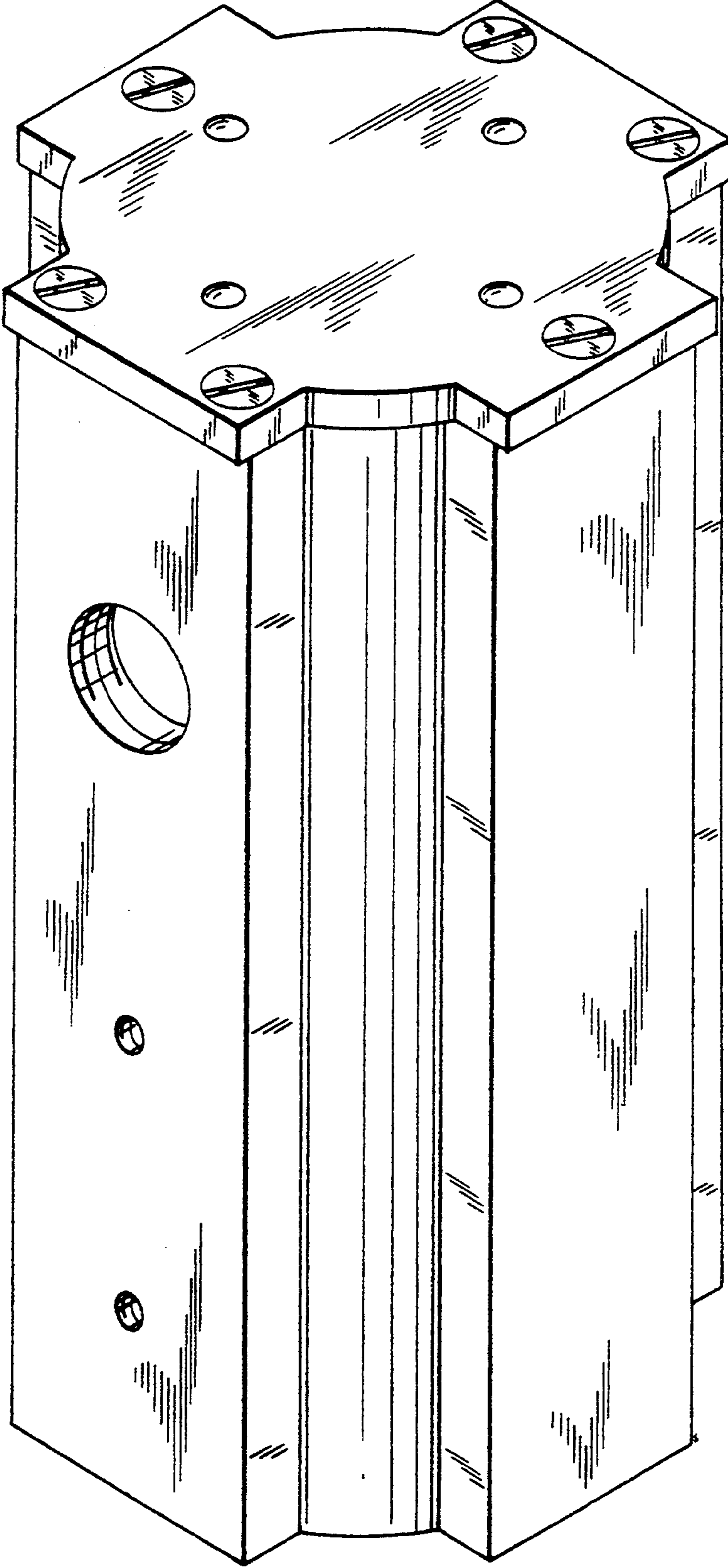
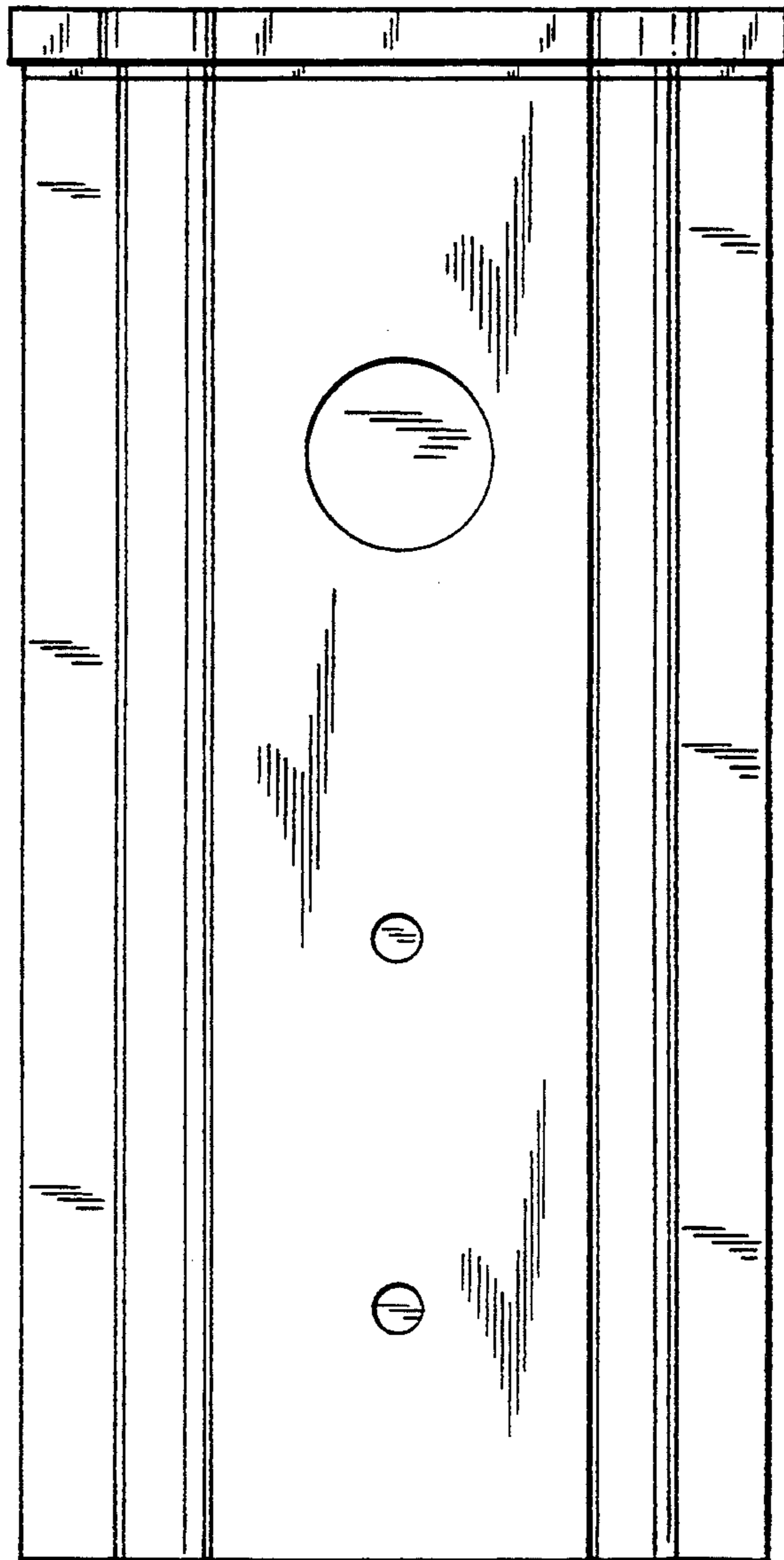
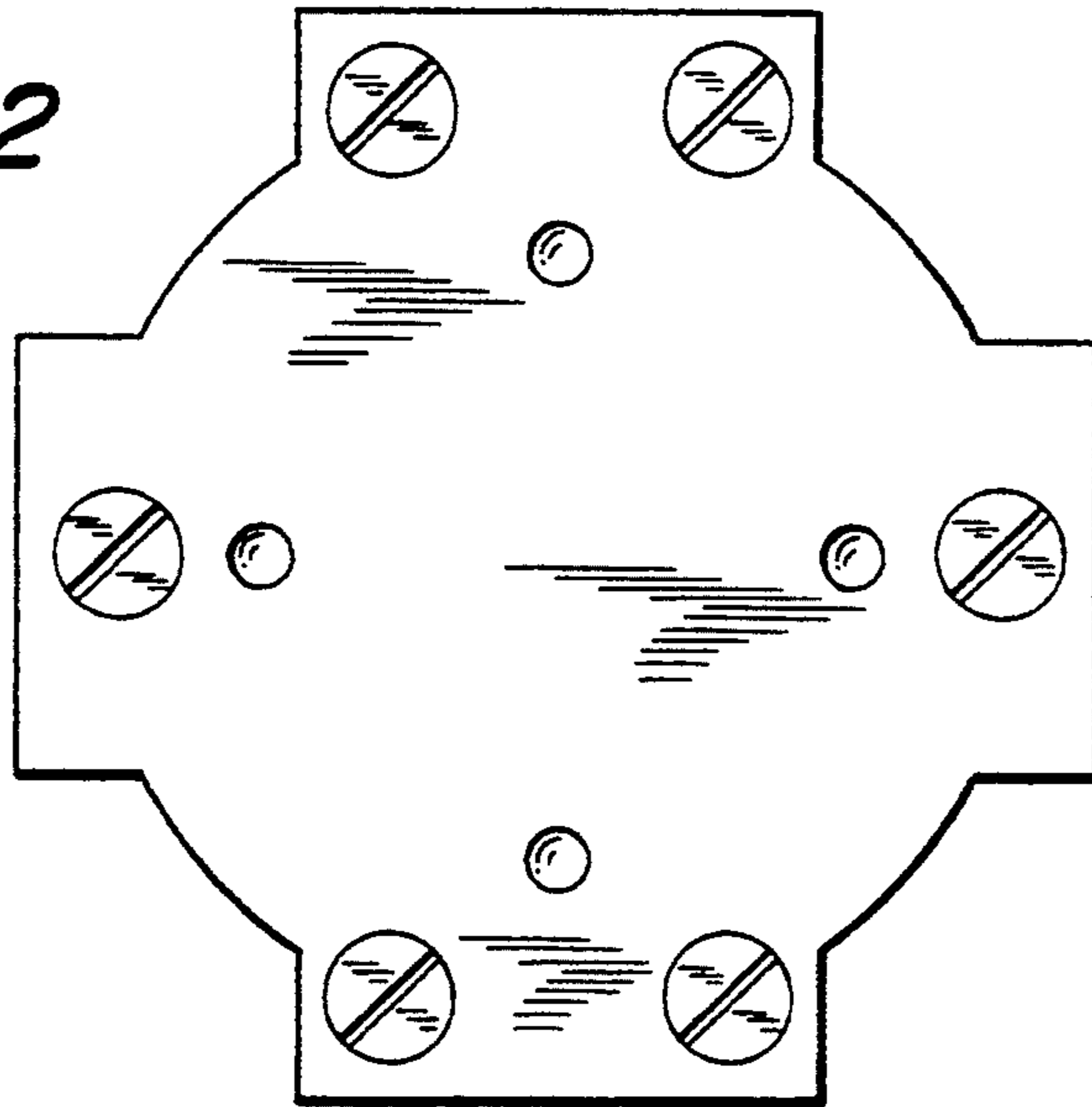


FIG. 1

*FIG. 2*



*FIG. 3*



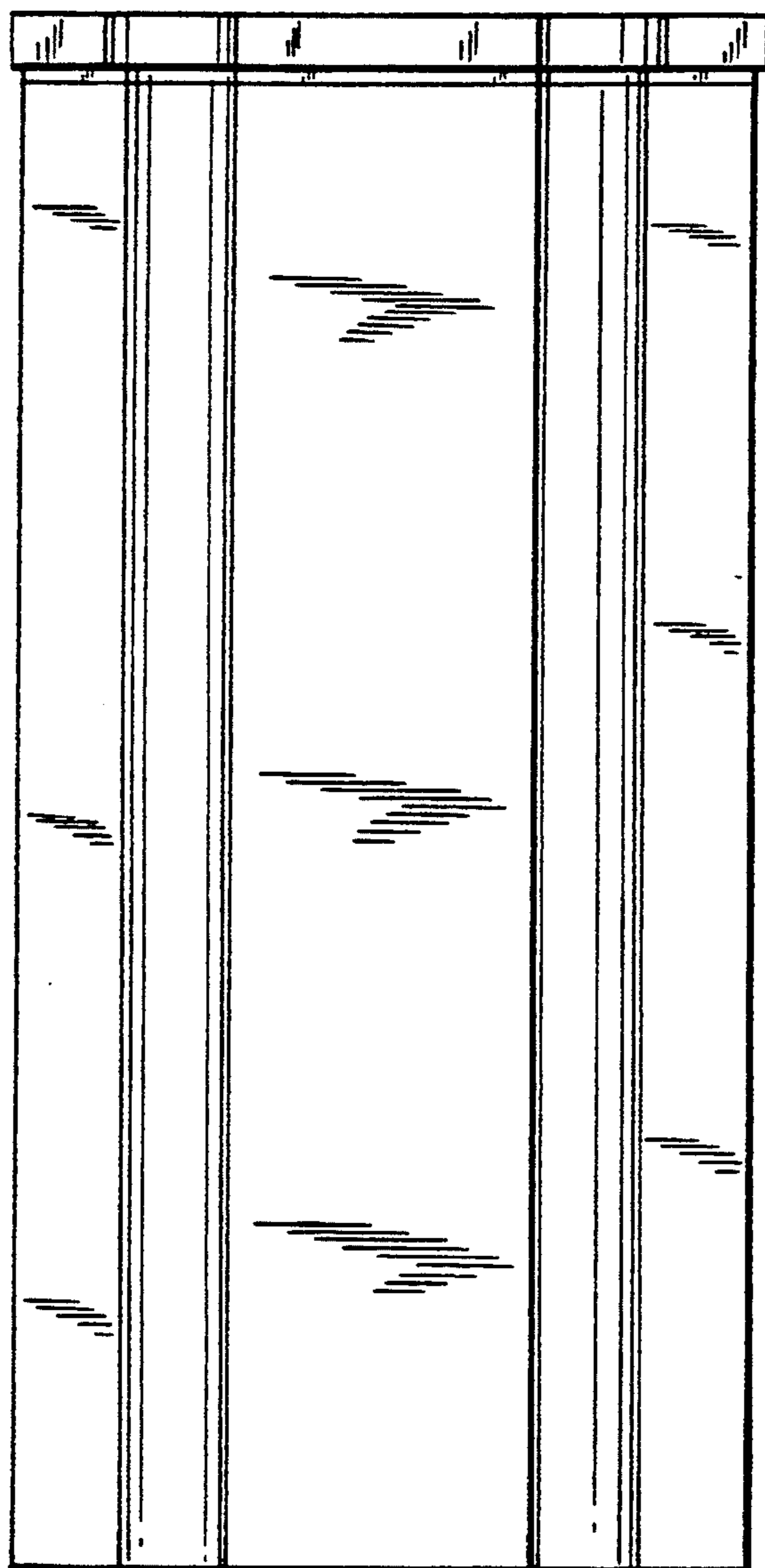


FIG. 4

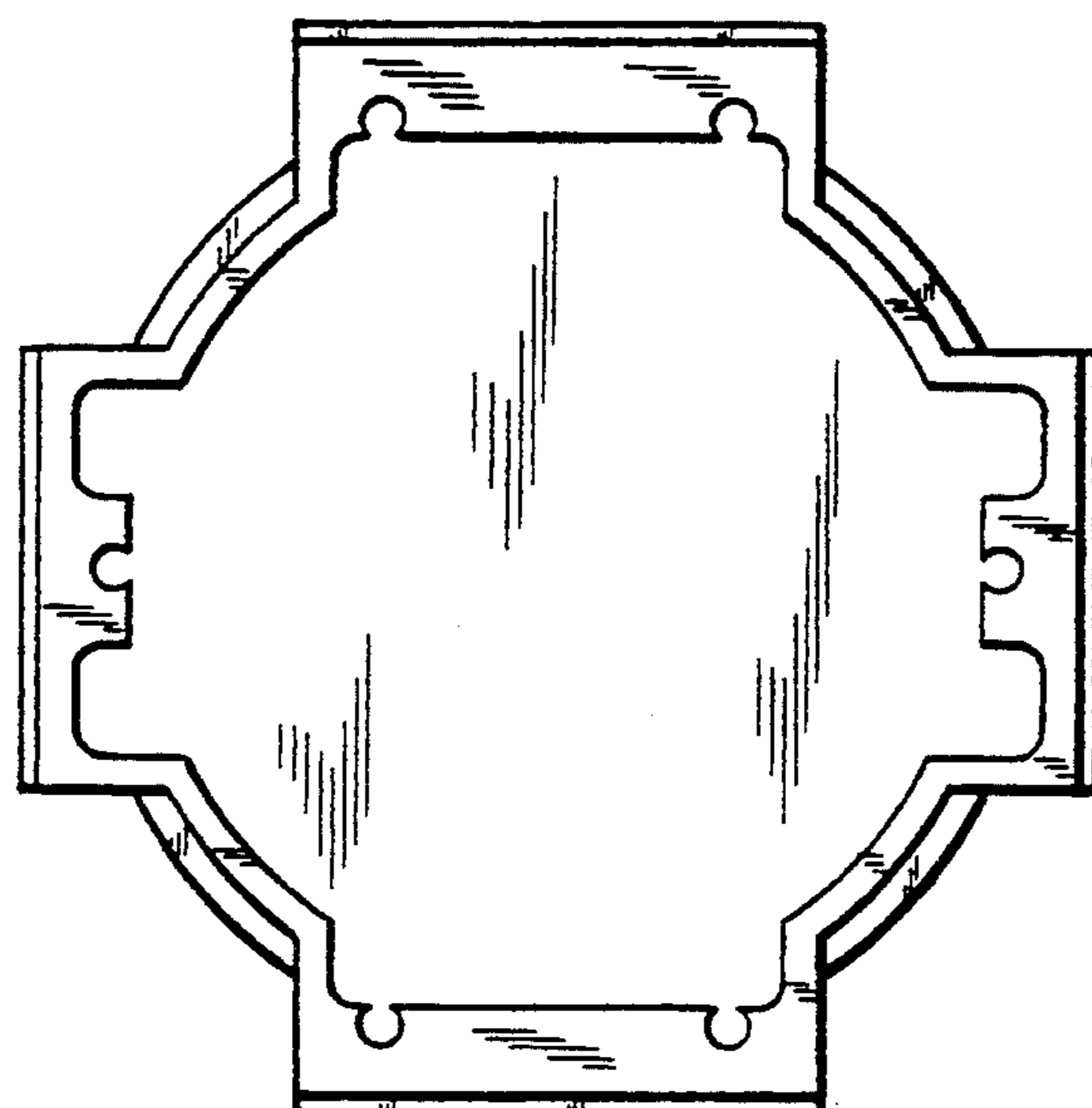


FIG. 5

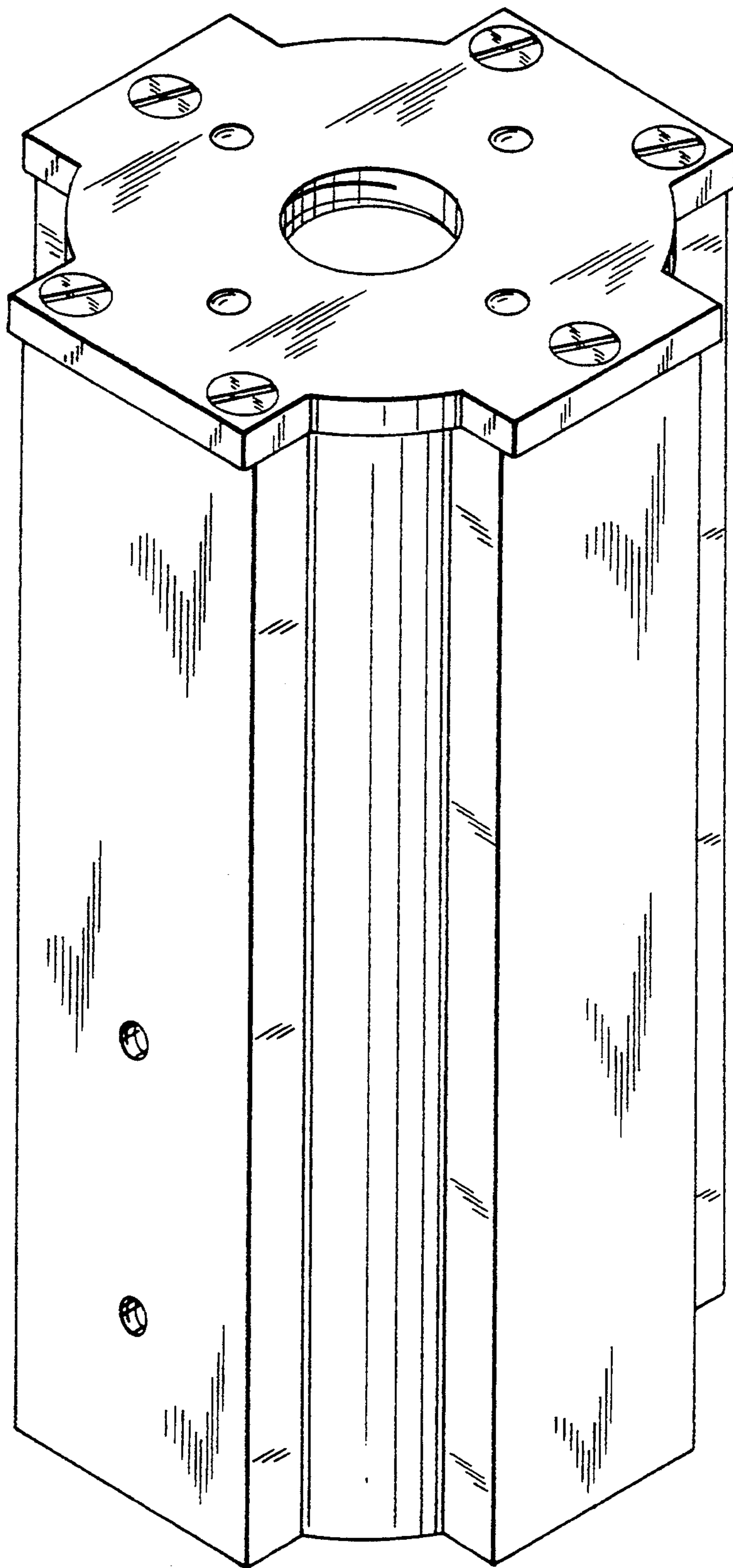
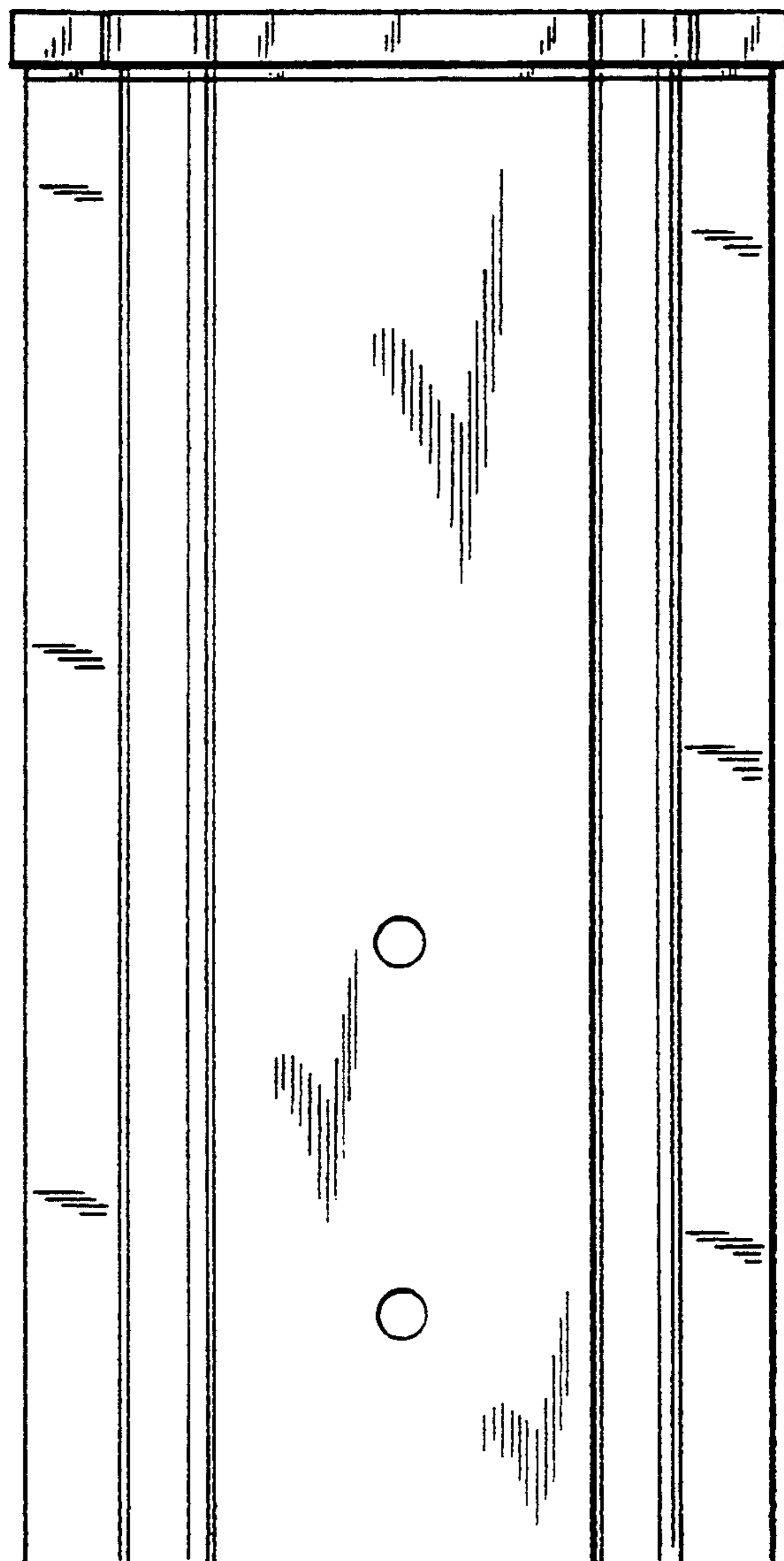
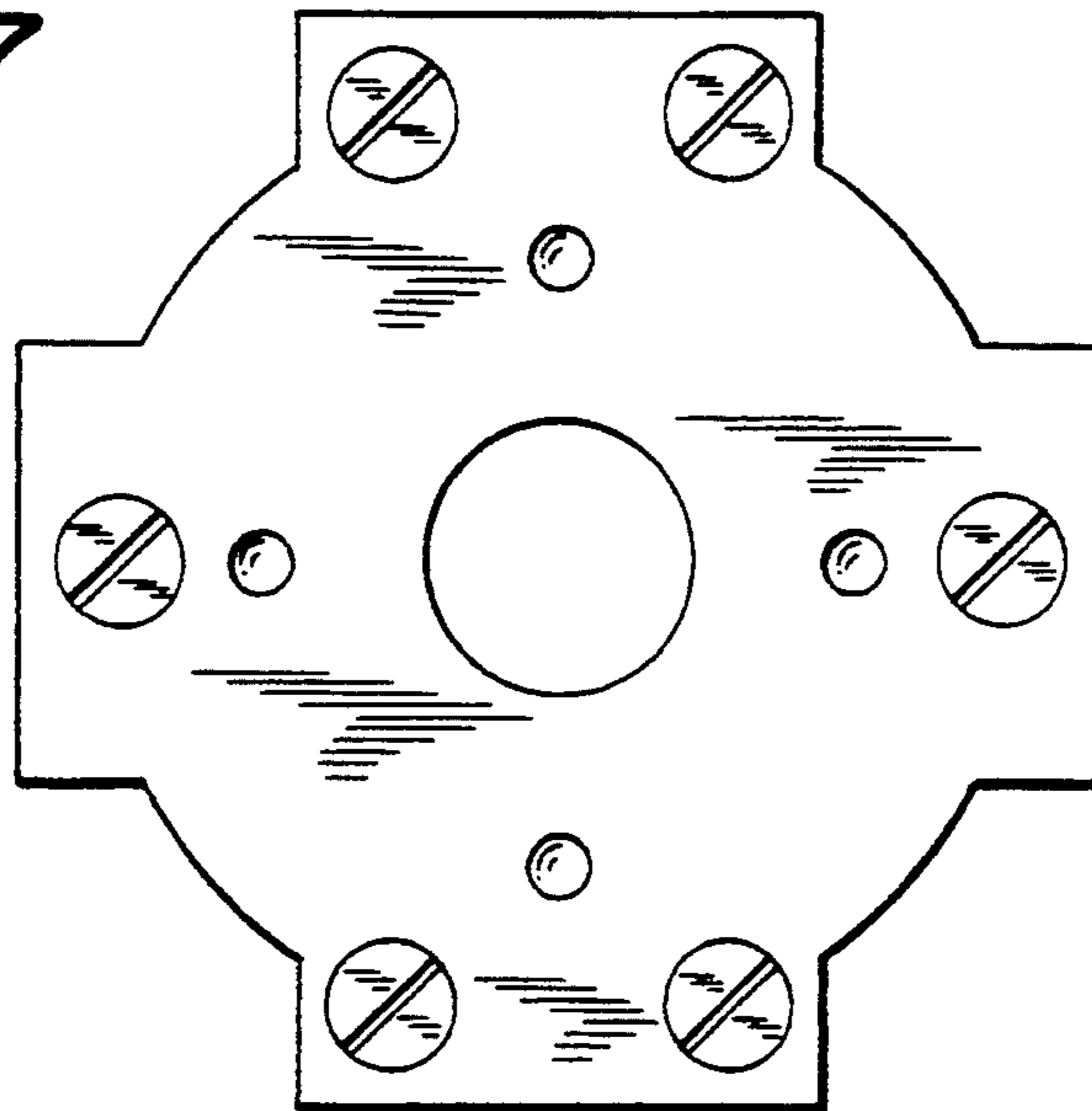
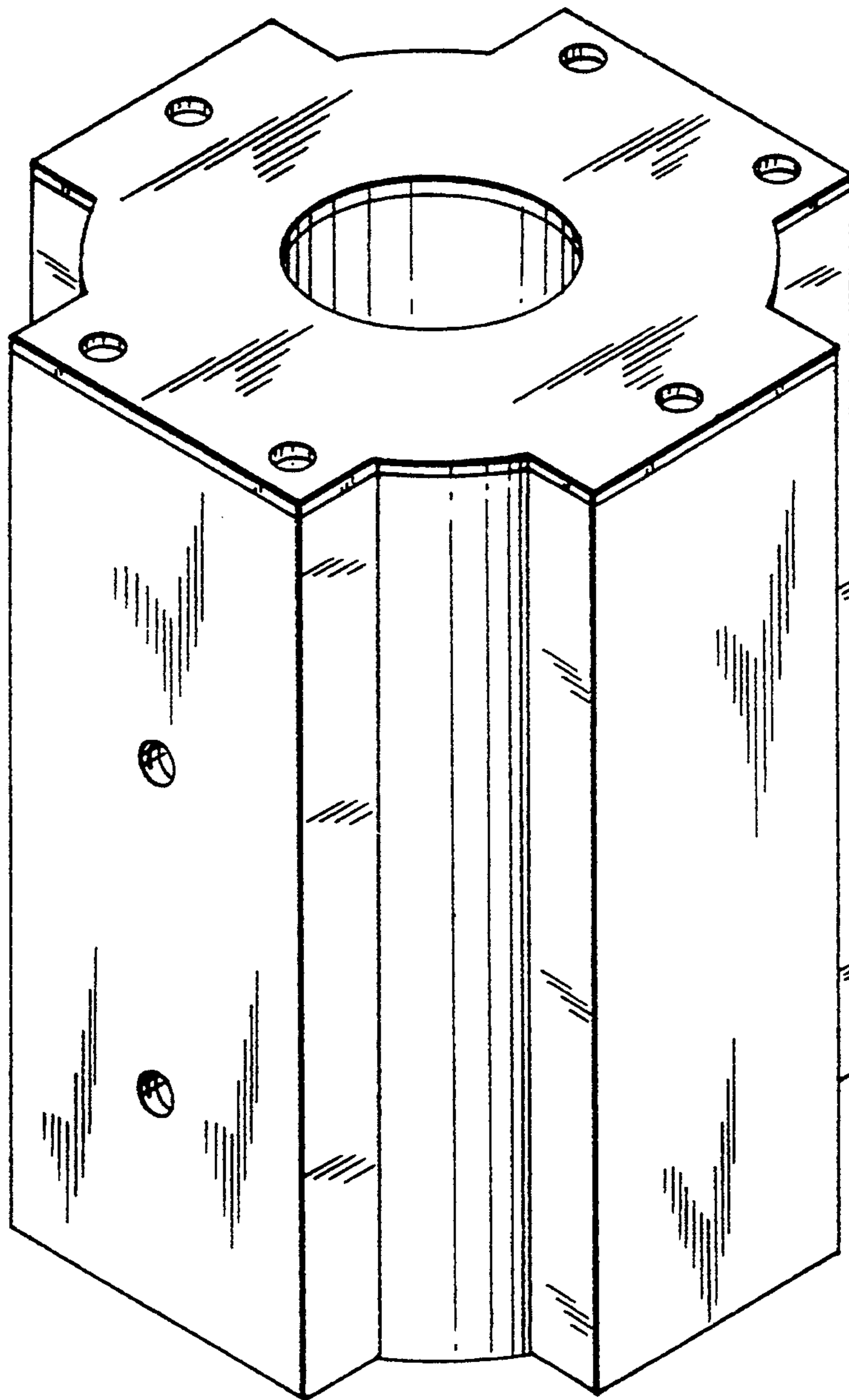


FIG. 6

*FIG. 7*



*FIG. 8*



*FIG. 9*

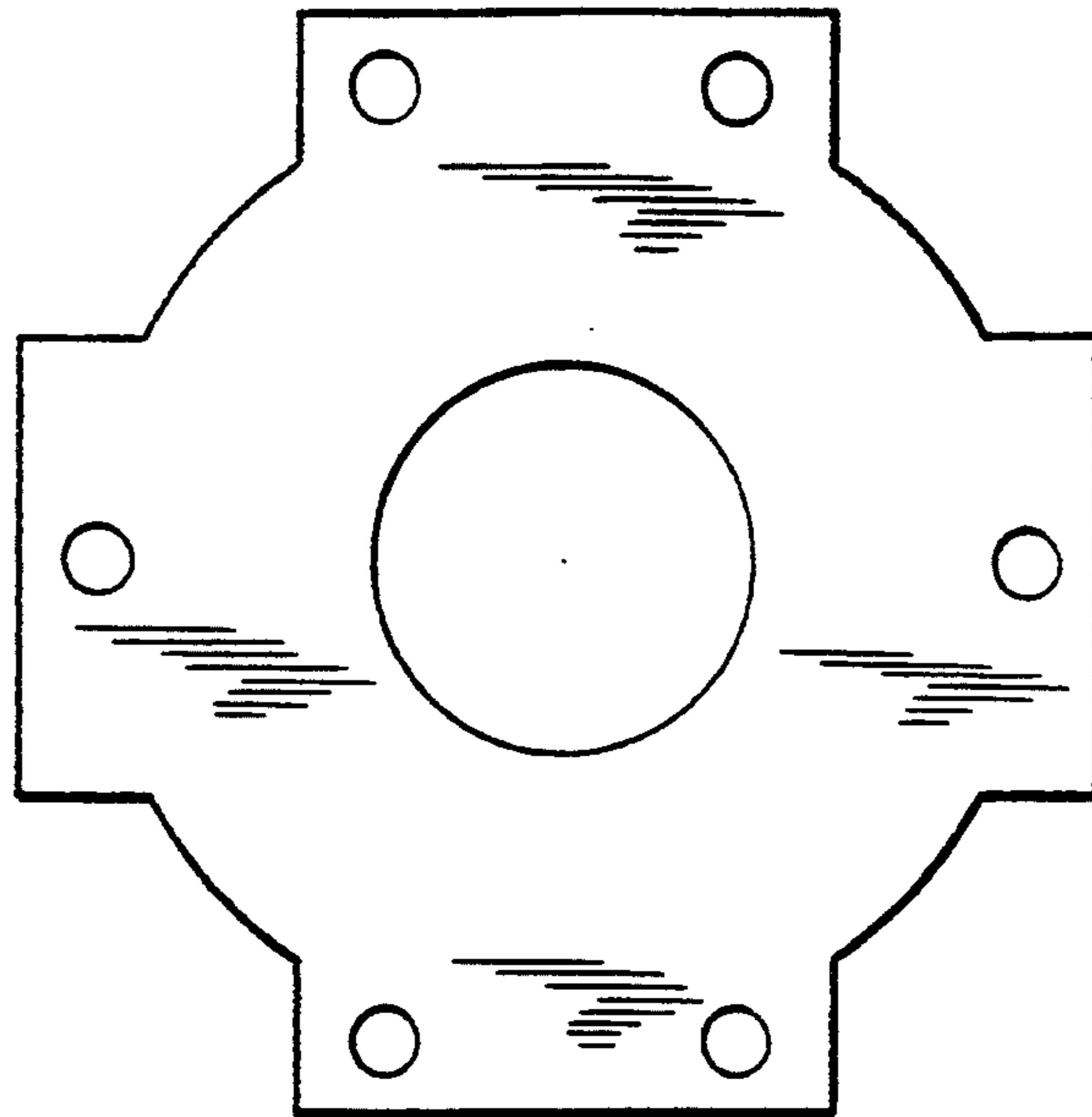


FIG. 10

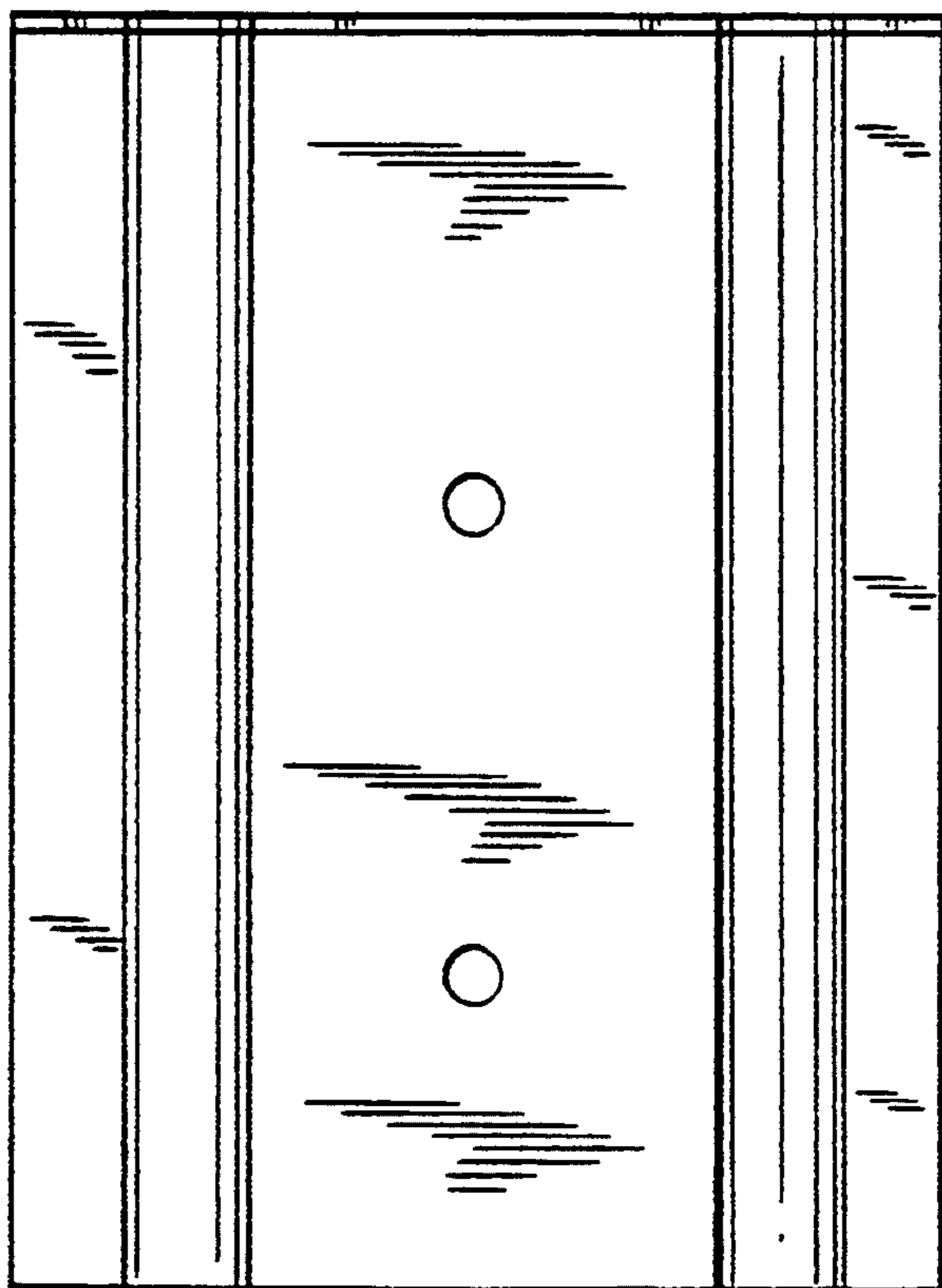
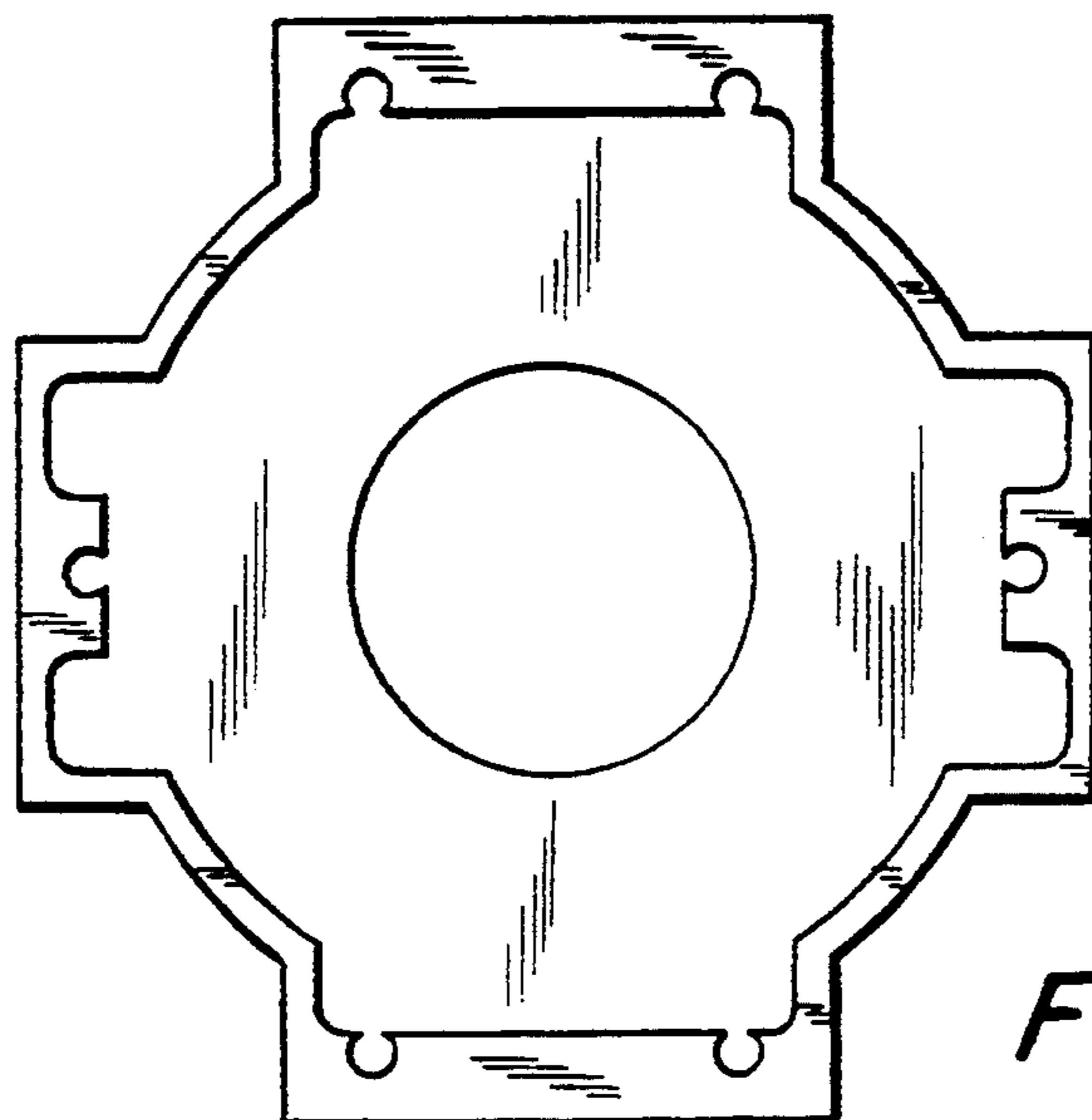
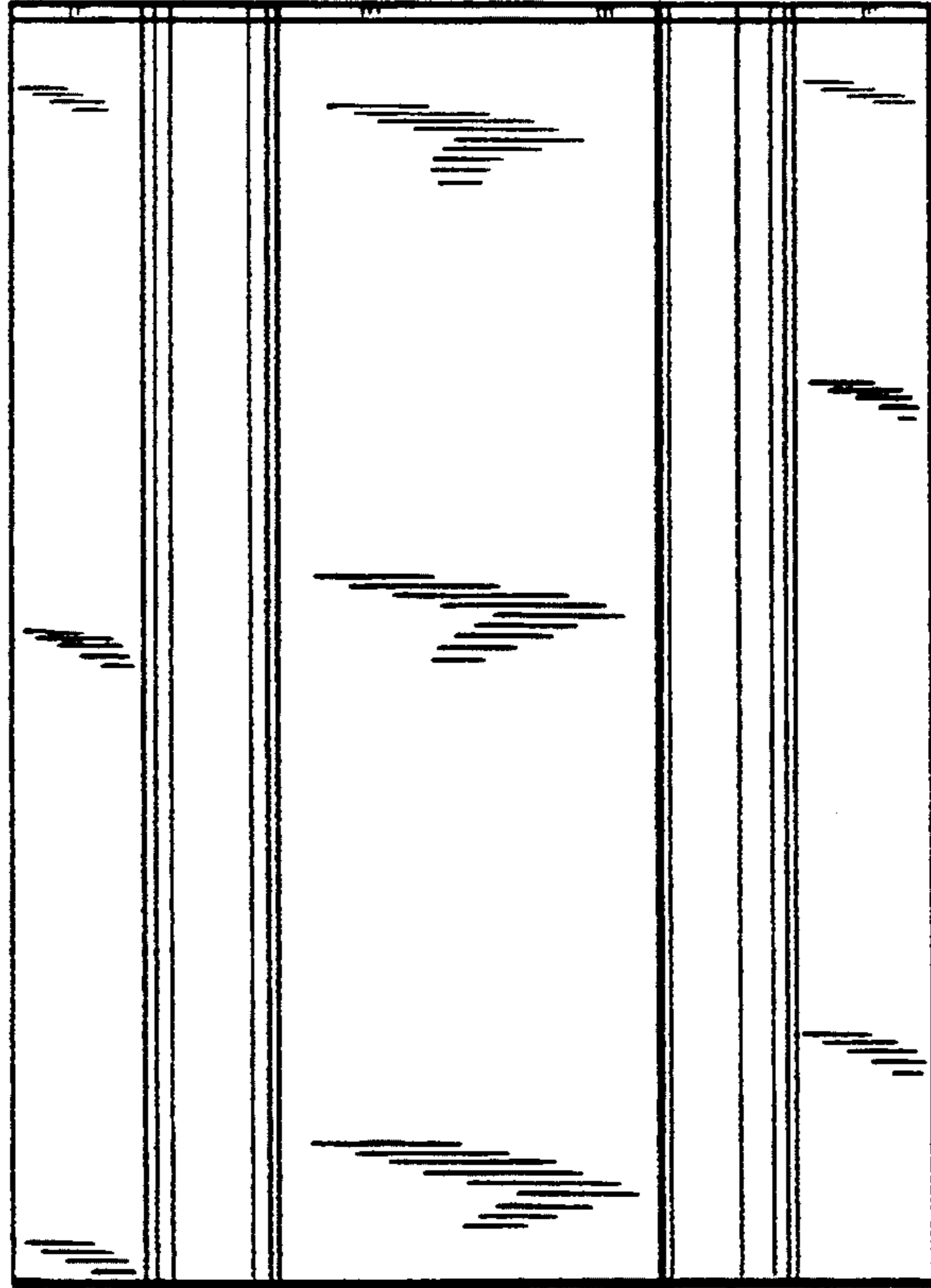


FIG. 11



*FIG. 12*



*FIG. 13*