



US00D353471S

United States Patent [19]
Cole

[11] **Patent Number: Des. 353,471**

[45] **Date of Patent: ** Dec. 13, 1994**

[54] **WINDOW COMPONENT EXTRUSION**

[56] **References Cited**

U.S. PATENT DOCUMENTS

[75] **Inventor: Douglas L. Cole, Seattle, Wash.**

D. 338,974 8/1993 Cole D25/124
4,768,316 9/1988 Haas 49/504

[73] **Assignee: Mikron Industries, Kent, Wash.**

Primary Examiner—A. Hugo Word
Assistant Examiner—Doris Clark
Attorney, Agent, or Firm—Seed and Berry

[**] **Term: 14 Years**

[57] **CLAIM**

The ornamental design for a window component extrusion, as shown and described.

[21] **Appl. No.: 12,347**

DESCRIPTION

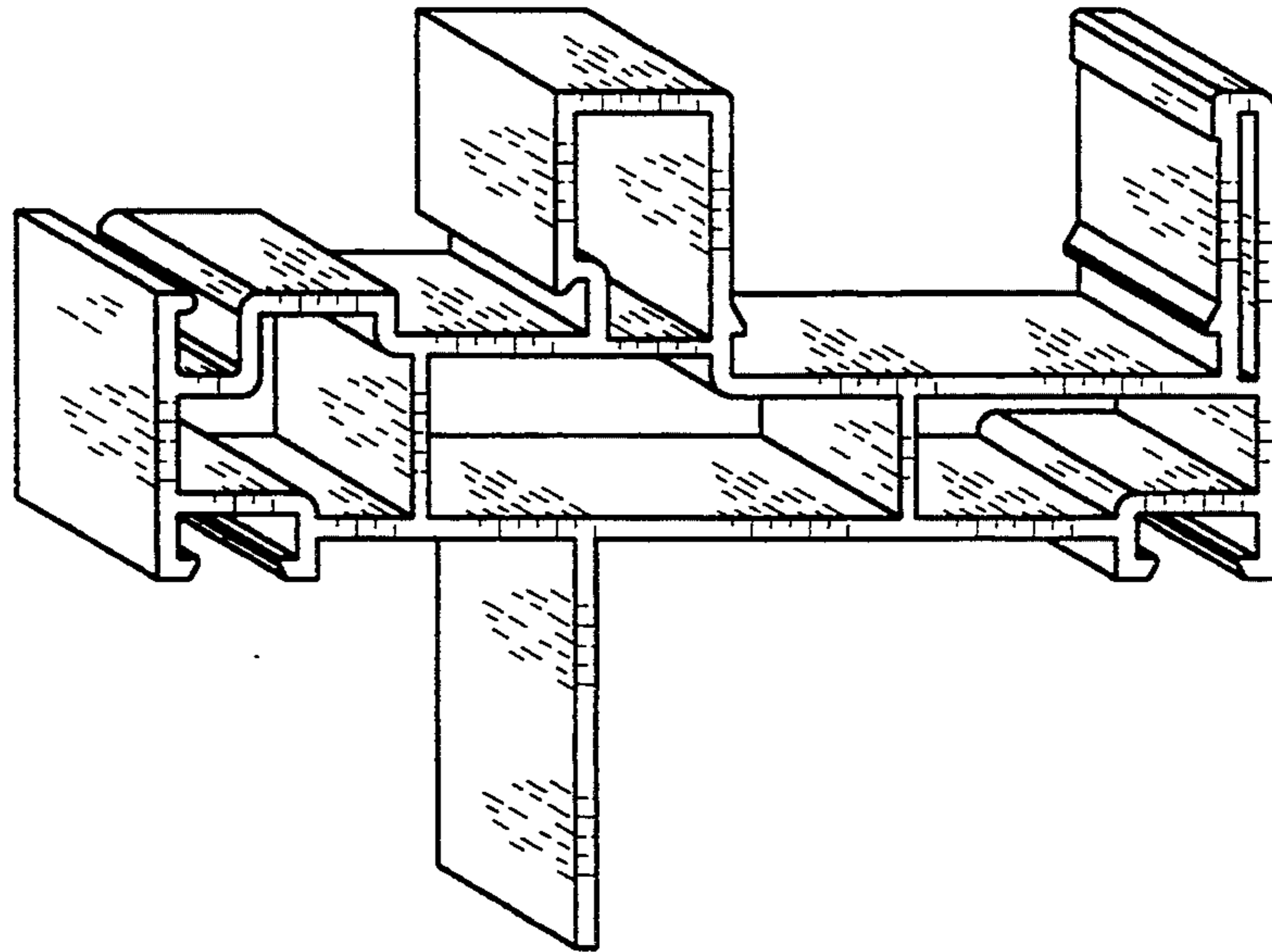
[22] **Filed: Aug. 30, 1993**

FIG. 1 is a top right perspective view of a window component extrusion showing my new design, the window component extrusion being of indefinite length; and,

[52] **U.S. Cl. D25/124**

[58] **Field of Search 49/DIG. 2, 504, 505;
52/204.4, 204.5; D25/52, 124**

FIG. 2 is a bottom left perspective view thereof.



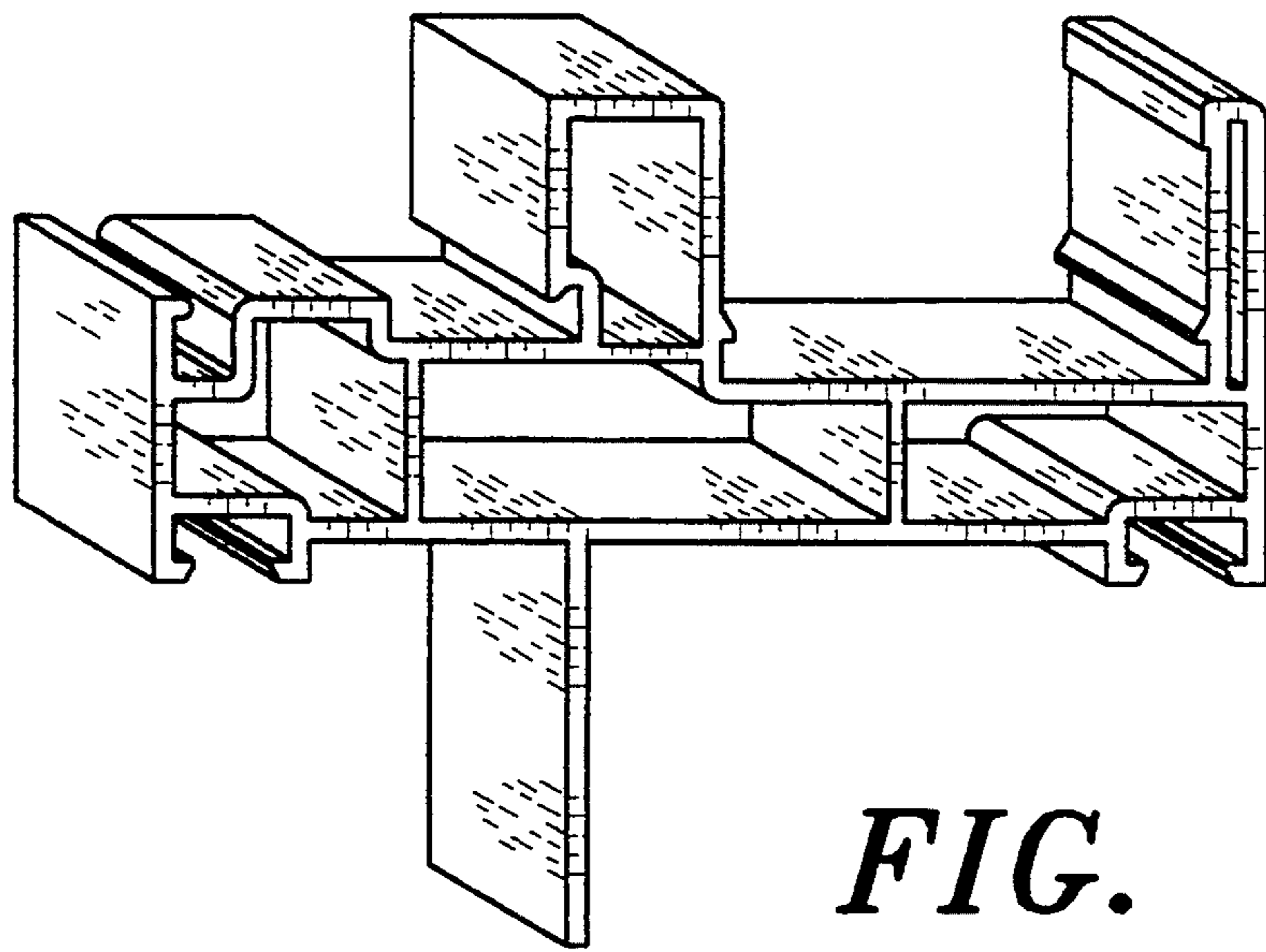


FIG. 1

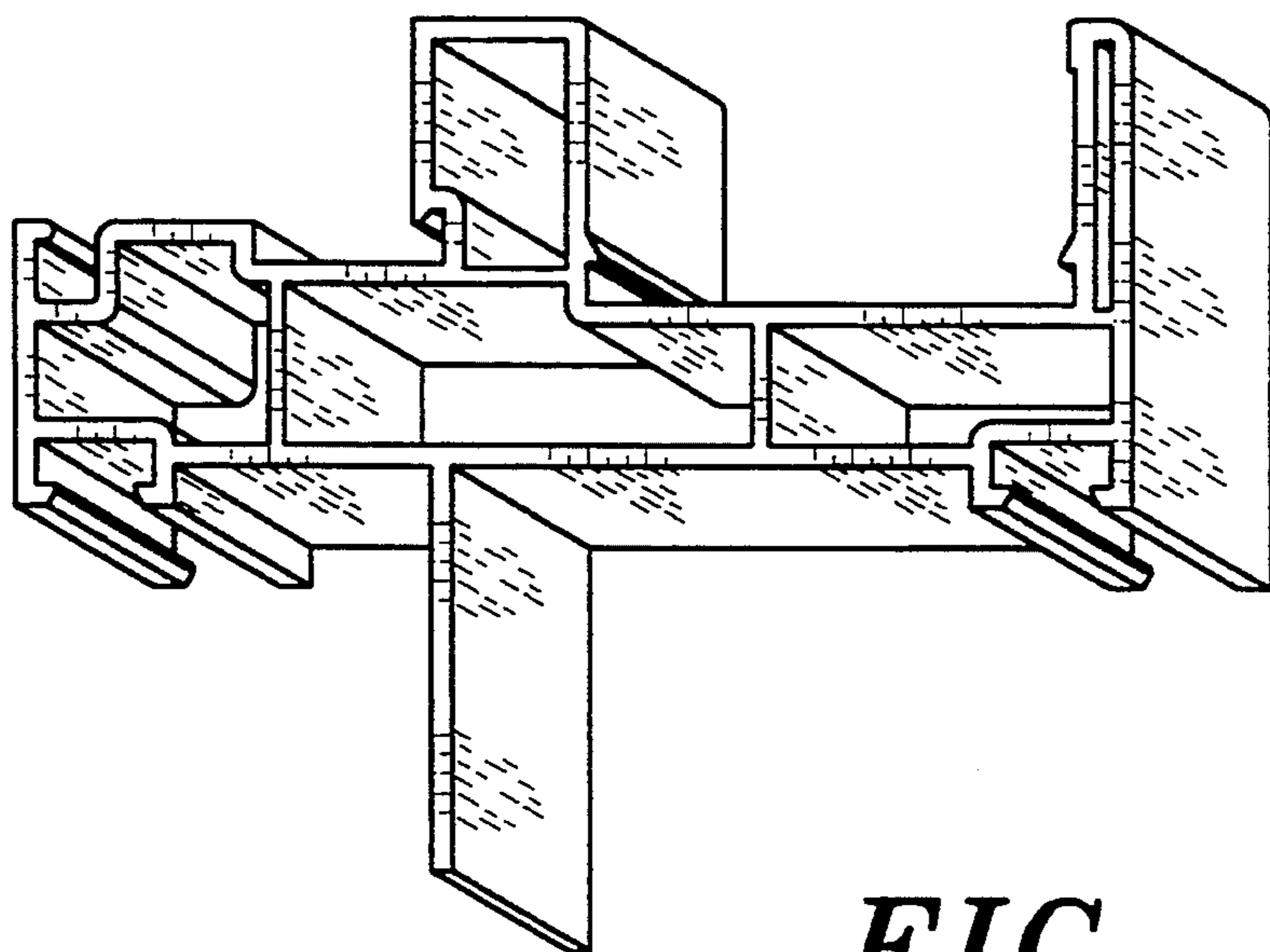


FIG. 2