



US00D353470S

United States Patent [19]

[11] Patent Number: **Des. 353,470**

Cole

[45] Date of Patent: **** Dec. 13, 1994**

[54] **WINDOW COMPONENT EXTRUSION**

D. 341,437 11/1993 Cole D25/124
4,924,628 5/1990 Ruby et al. 49/DIG. 2

[75] Inventor: **Douglas L. Cole, Seattle, Wash.**

[73] Assignee: **Mikron Industries, Kent, Wash.**

[**] Term: **14 Years**

Primary Examiner—A. Hugo Word
Assistant Examiner—Doris Clark
Attorney, Agent, or Firm—Seed and Berry

[21] Appl. No.: **10,513**

[57] **CLAIM**

[22] Filed: **Jul. 8, 1993**

The ornamental design for a window component extrusion, as shown and described.

[52] U.S. Cl. **D25/124**

[58] Field of Search 49/DIG. 2, 504-505;
52/204.1, 204.5; D25/52, 124

DESCRIPTION

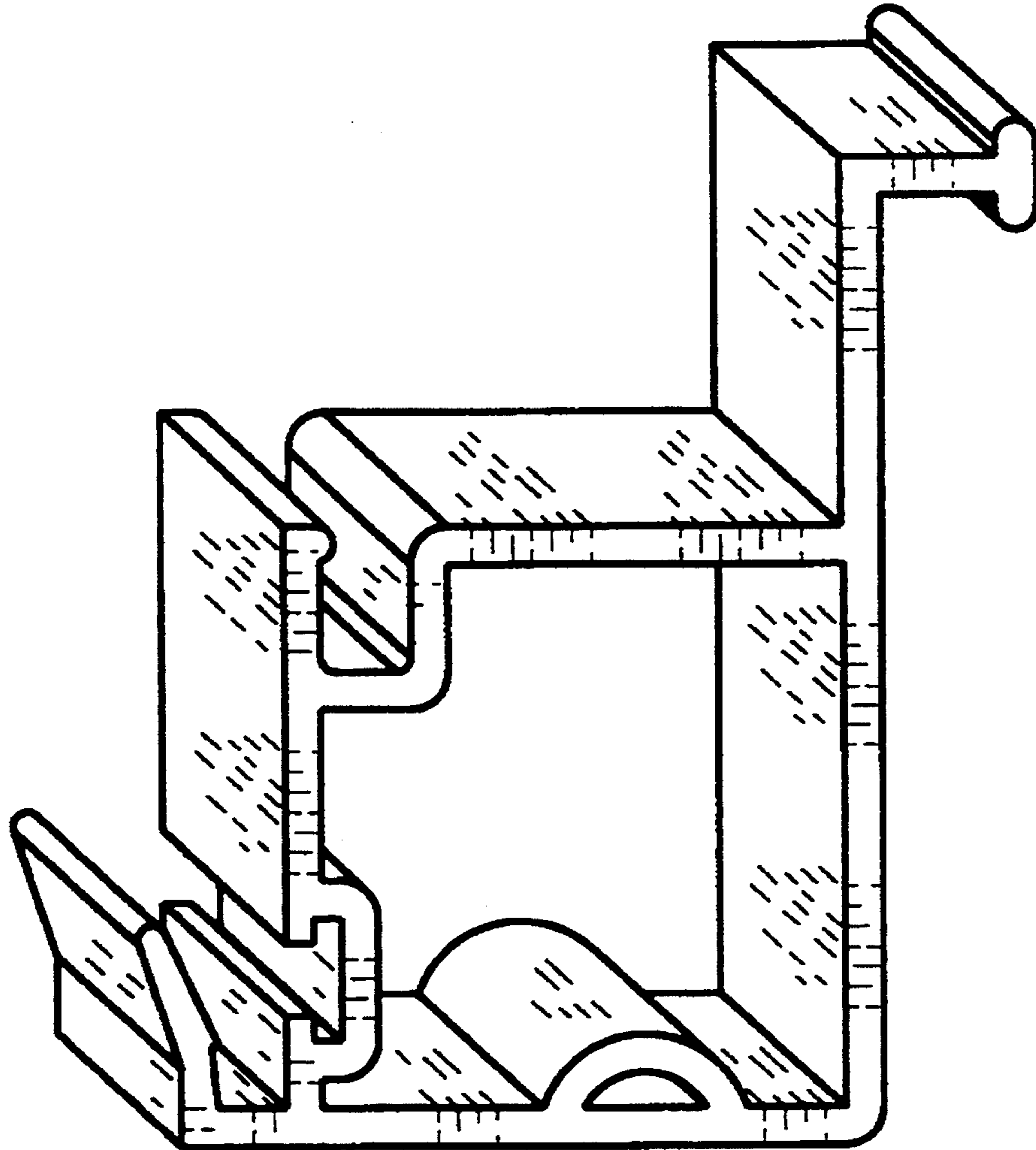
[56] **References Cited**

U.S. PATENT DOCUMENTS

D. 307,486 4/1990 Westphal et al. D25/124

FIG. 1 is a top right perspective view of a window component extrusion showing my new design, the window component extrusion being of indefinite length; and,

FIG. 2 is a bottom left perspective view thereof.



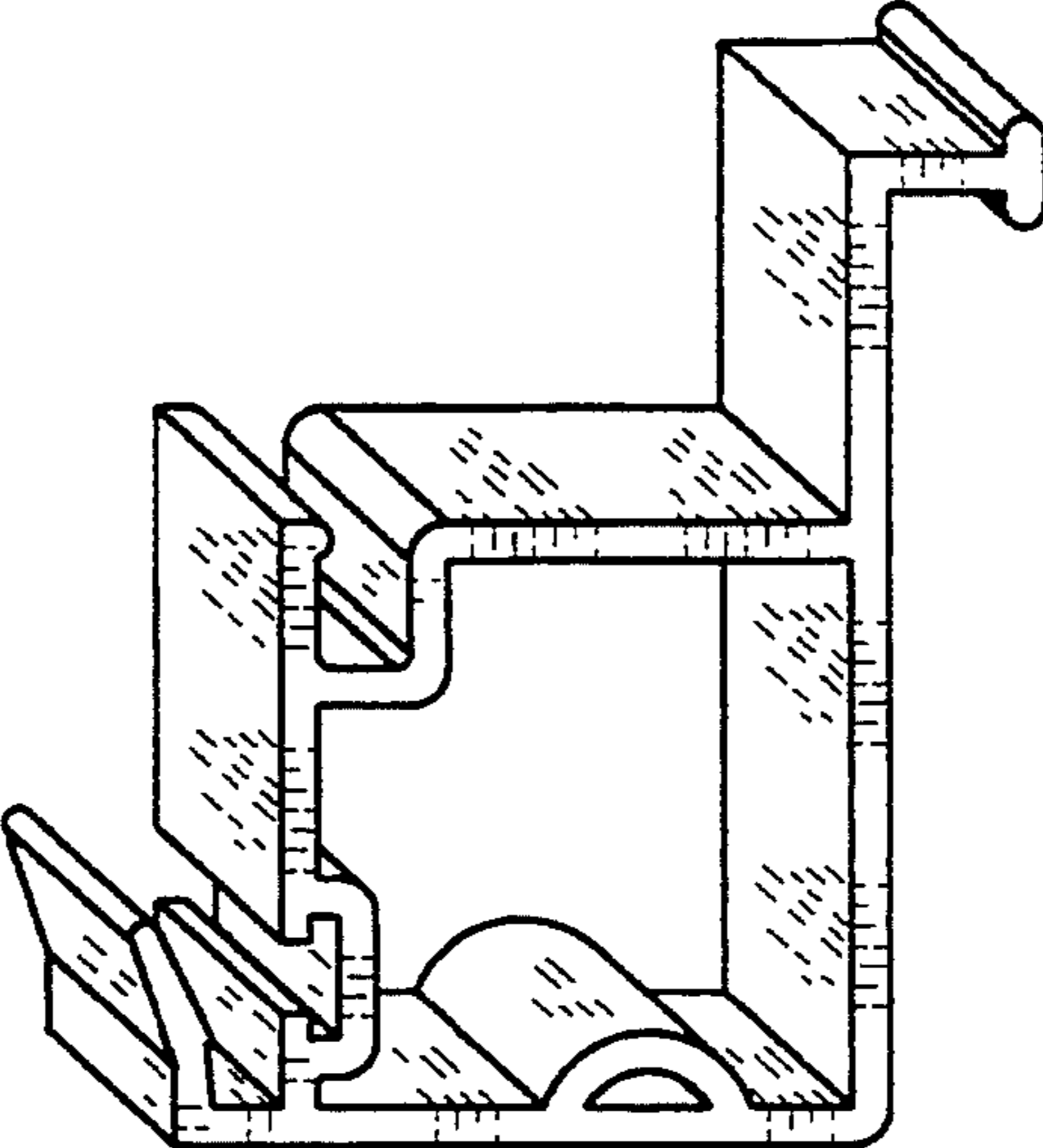


FIG. 1

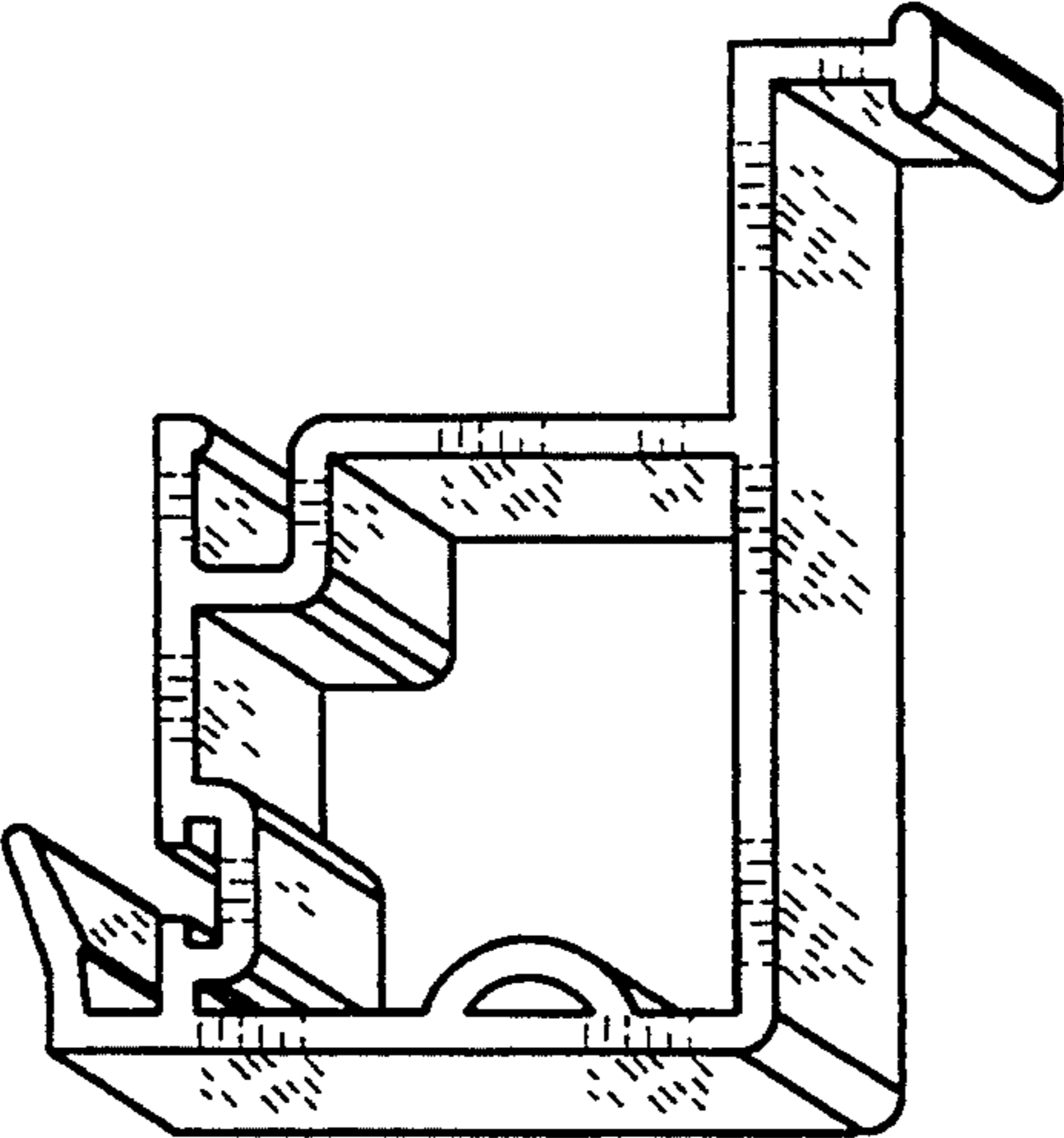


FIG. 2