



US00D353467S

United States Patent [19]

[11] Patent Number: **Des. 353,467**

Raynes

[45] Date of Patent: **** Dec. 13, 1994**

[54] **METAL HANDRAIL WITH BRAILLE INSERT**

4,805,879	2/1989	Spera	D56/22
5,027,741	7/1991	Smith et al.	182/18
5,065,837	11/1991	Szudy	182/18
5,161,975	11/1992	Andrews	434/113
5,284,444	2/1994	Raynes	434/113

[76] Inventor: **Coco Raynes, 314 Dartmouth St., Boston, Mass. 02116**

[**] Term: **14 Years**

Primary Examiner—A. Hugo Word
Assistant Examiner—Doris Clark
Attorney, Agent, or Firm—Lahive & Cockfield

[21] Appl. No.: **16,075**

[22] Filed: **Dec. 6, 1993**

[52] U.S. Cl. **D25/38; D25/125**

[58] Field of Search 256/19, 20, 1, 12.5, 256/22, 24, 31, 29, 59, 66; 434/113; 182/118; 52/152; D25/38, 39, 42-45, 125, 124; D18/24, 26

[57] **CLAIM**

The ornamental design for a metal handrail with braille insert, as shown and described.

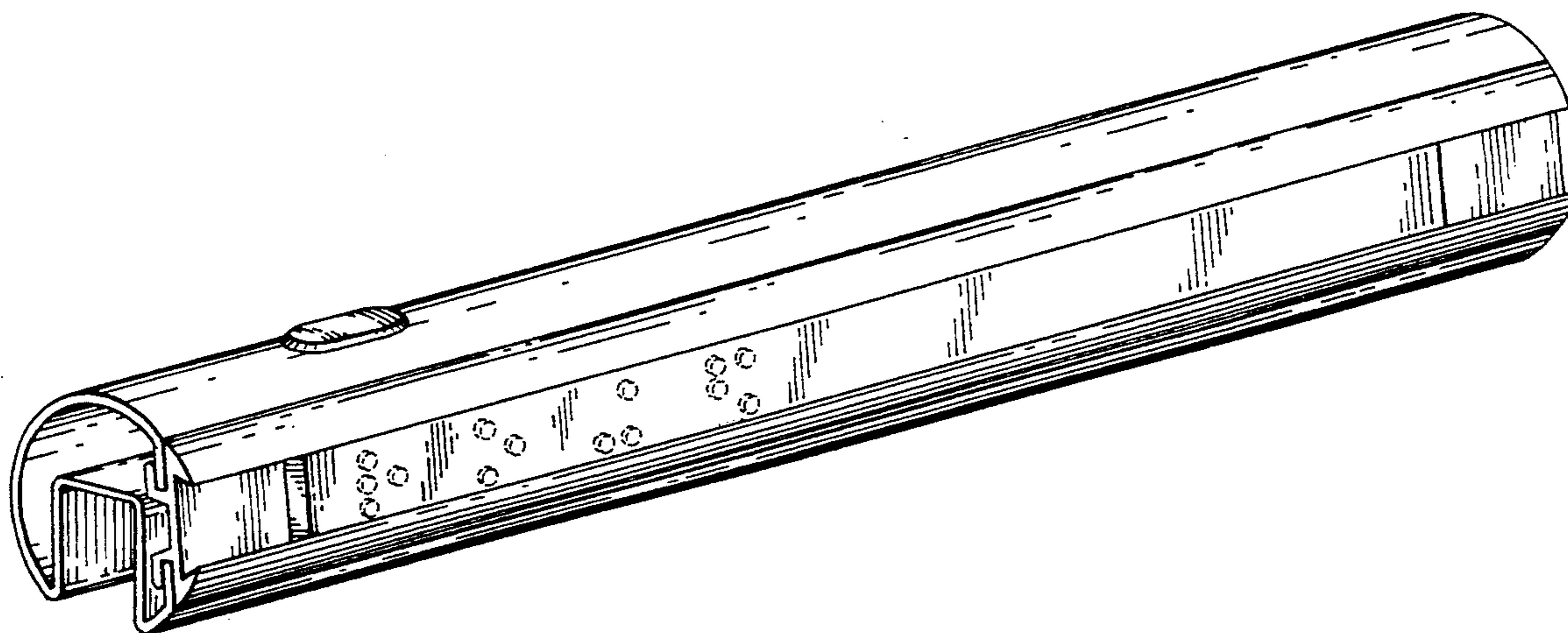
DESCRIPTION

FIG. 1 is a perspective view of a metal handrail with braille insert showing my new design; FIG. 2 is a fragmentary front elevational view thereof; FIG. 3 is a fragmentary top plan view thereof; FIG. 4 is a fragmentary rear elevational view thereof; FIG. 5 is a fragmentary bottom view thereof; and, FIG. 6 is a side elevational view thereof. The broken lines disclosing braille are for illustrative purposes only and form no part of the claimed design.

[56] **References Cited**

U.S. PATENT DOCUMENTS

D. 317,205	5/1991	Johansson	D25/125
D. 335,353	5/1993	Baker	D25/38
D. 344,807	3/1994	Abbatichio	D25/38
3,556,017	10/1970	Lucas	182/18
3,718,991	3/1973	Kafafian	434/113
4,220,316	9/1980	Naka et al.	256/59



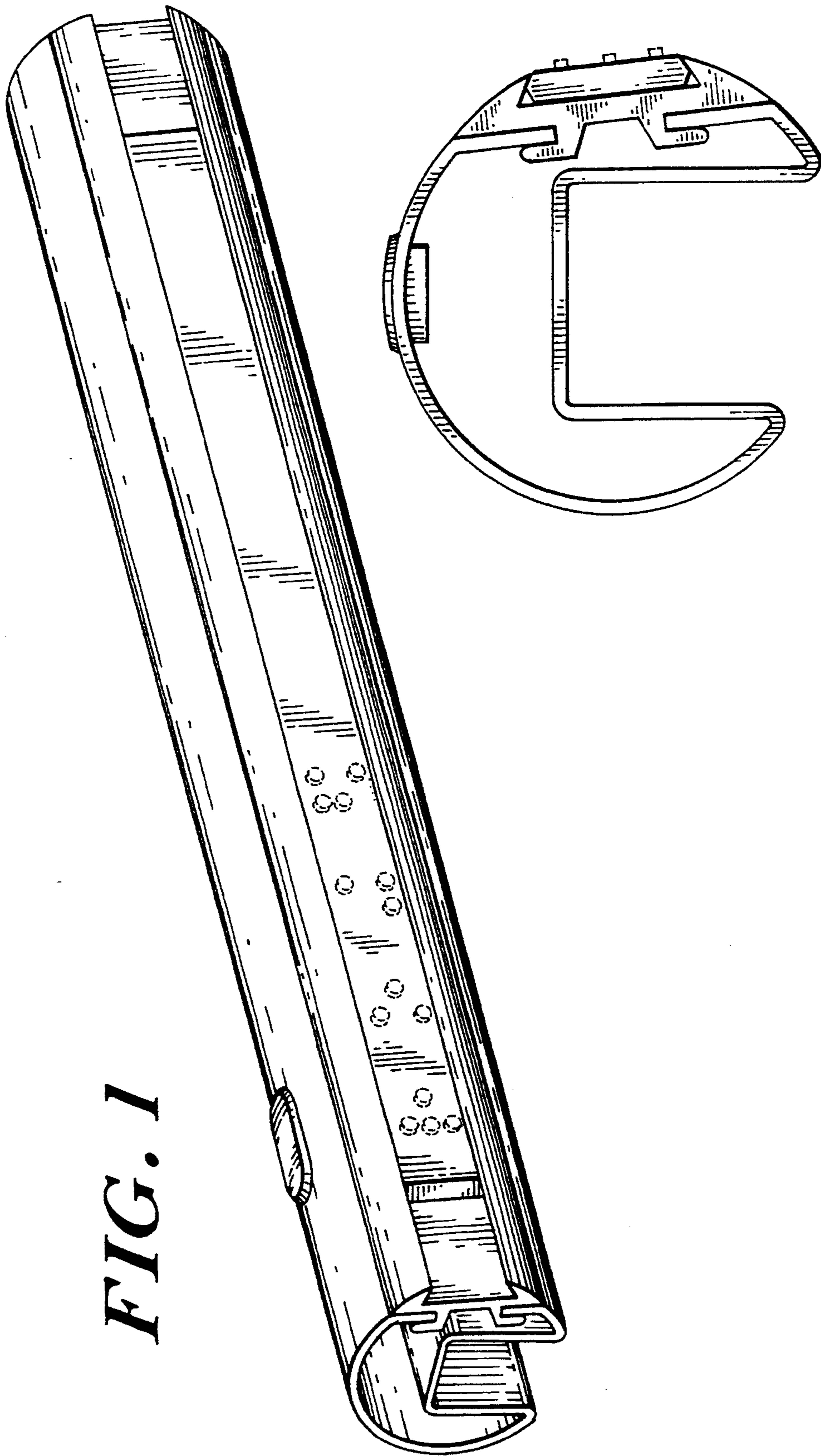


FIG. 1

FIG. 6

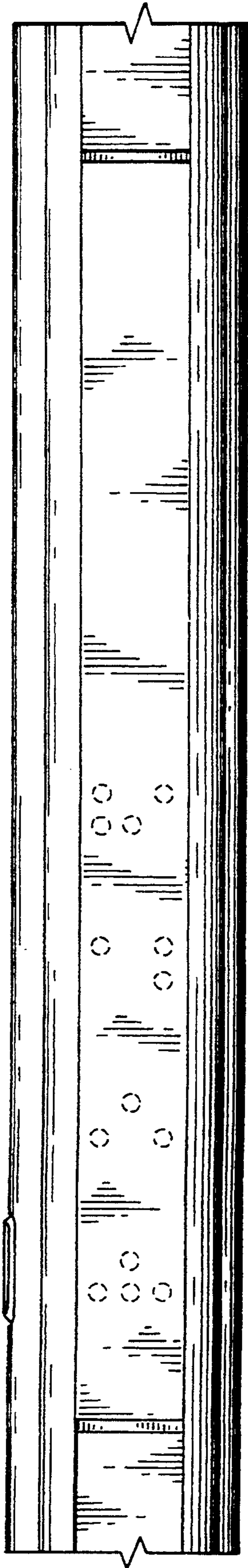


FIG. 2

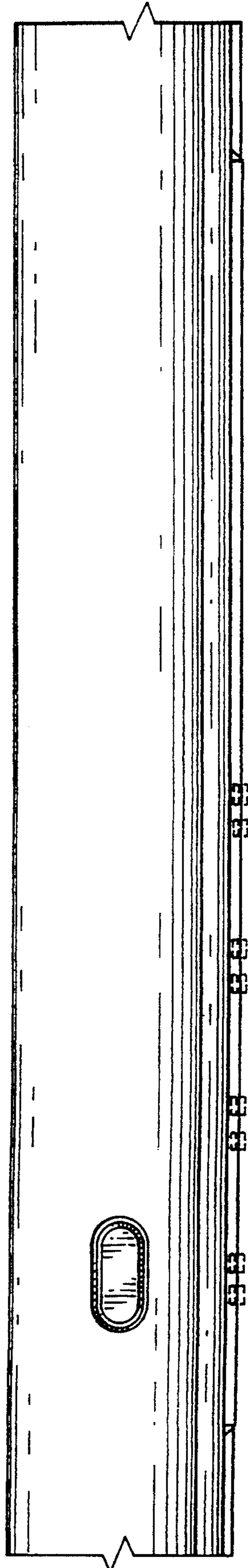


FIG. 3

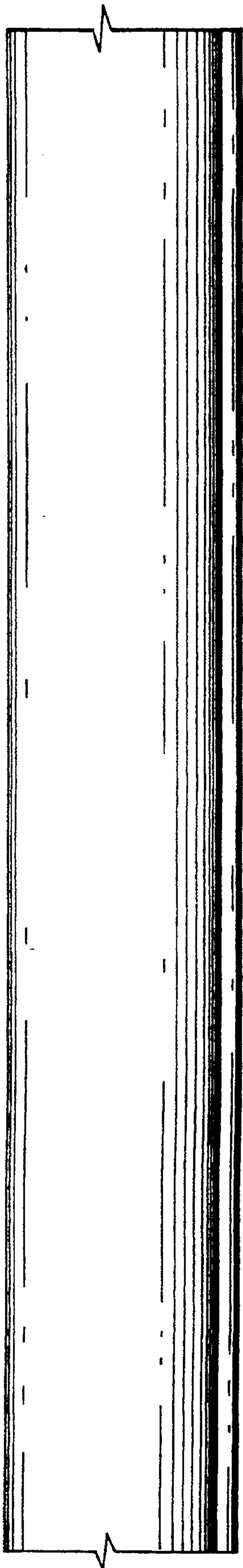


FIG. 4

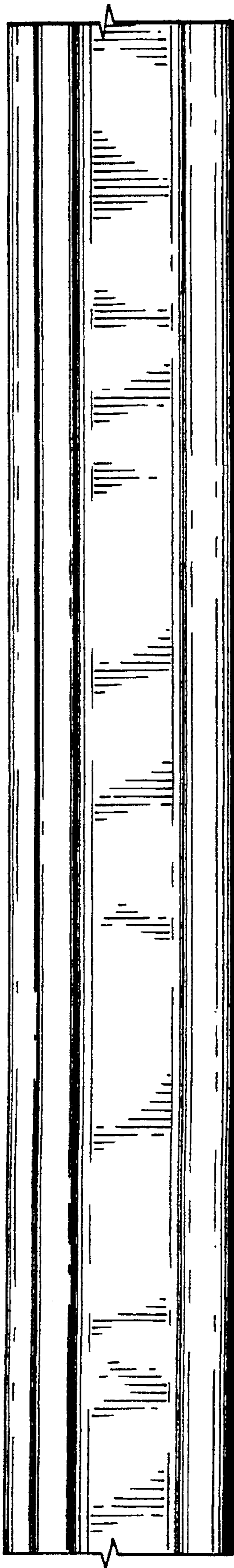


FIG. 5