



US00D353460S

United States Patent [19]

[11] Patent Number: Des. 353,460

Reynolds et al.

[45] Date of Patent: ** Dec. 13, 1994

[54] BIRTHING CHAIR

4,703,975 11/1987 Roberts et al. 297/183 X

[76] Inventors: **James L. Reynolds; Michael O. Toll**,
both of St. Joseph's Health Centre,
P.O. Box 5777, London, Ontario,
Canada, N6A 4L6

Primary Examiner—Stella Reid
Attorney, Agent, or Firm—Jeffrey T. Imai; Arne I. Fors;
D. Doak Horne

[**] Term: 14 Years

[57] CLAIM

The ornamental design for a birthing chair, as shown and described.

[21] Appl. No.: 8,070

[22] Filed: May 10, 1993

DESCRIPTION

[30] Foreign Application Priority Data

Nov. 10, 1992 [CA] Canada 10-11-92-7

[52] U.S. Cl. D24/183

[58] Field of Search 5/602; 297/423.19, 183,
297/16.1; 128/698; D24/183

FIG. 1 is a perspective view a birthing chair, showing our new design;

FIG. 2 is a front elevational view thereof;

FIG. 3 is a rear elevational view thereof;

FIG. 4 is a side elevational view thereof, the opposite side elevational view being identical thereto; and,

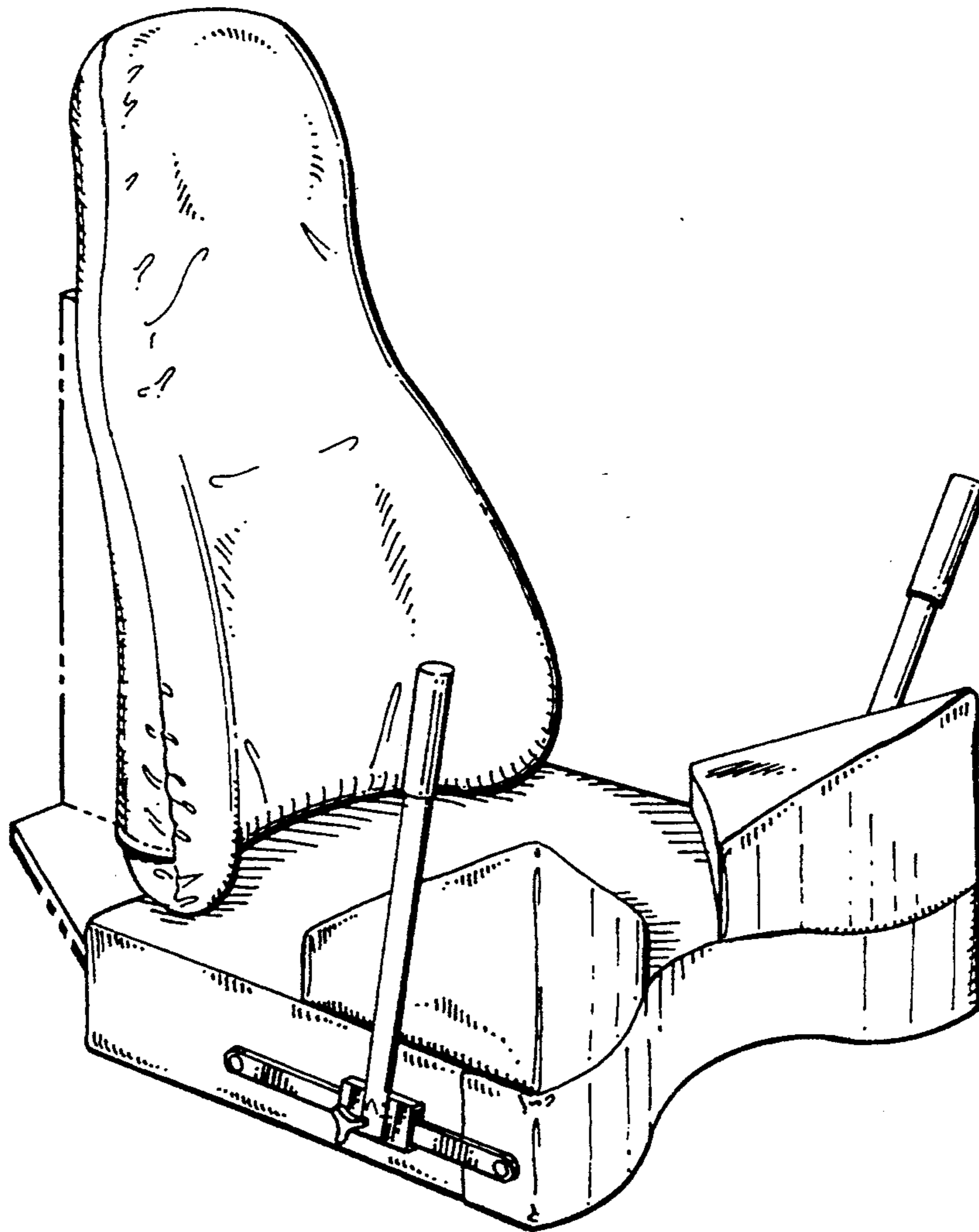
FIG. 5 is a top plan view thereof, the bottom plan view being plain and unornamented.

The broken line showing in FIGS. 1, 3 and 4 is for illustrative purposes only and forms no part of the claimed design.

[56] References Cited

U.S. PATENT DOCUMENTS

4,180,062 12/1979 Alberti et al. 128/698



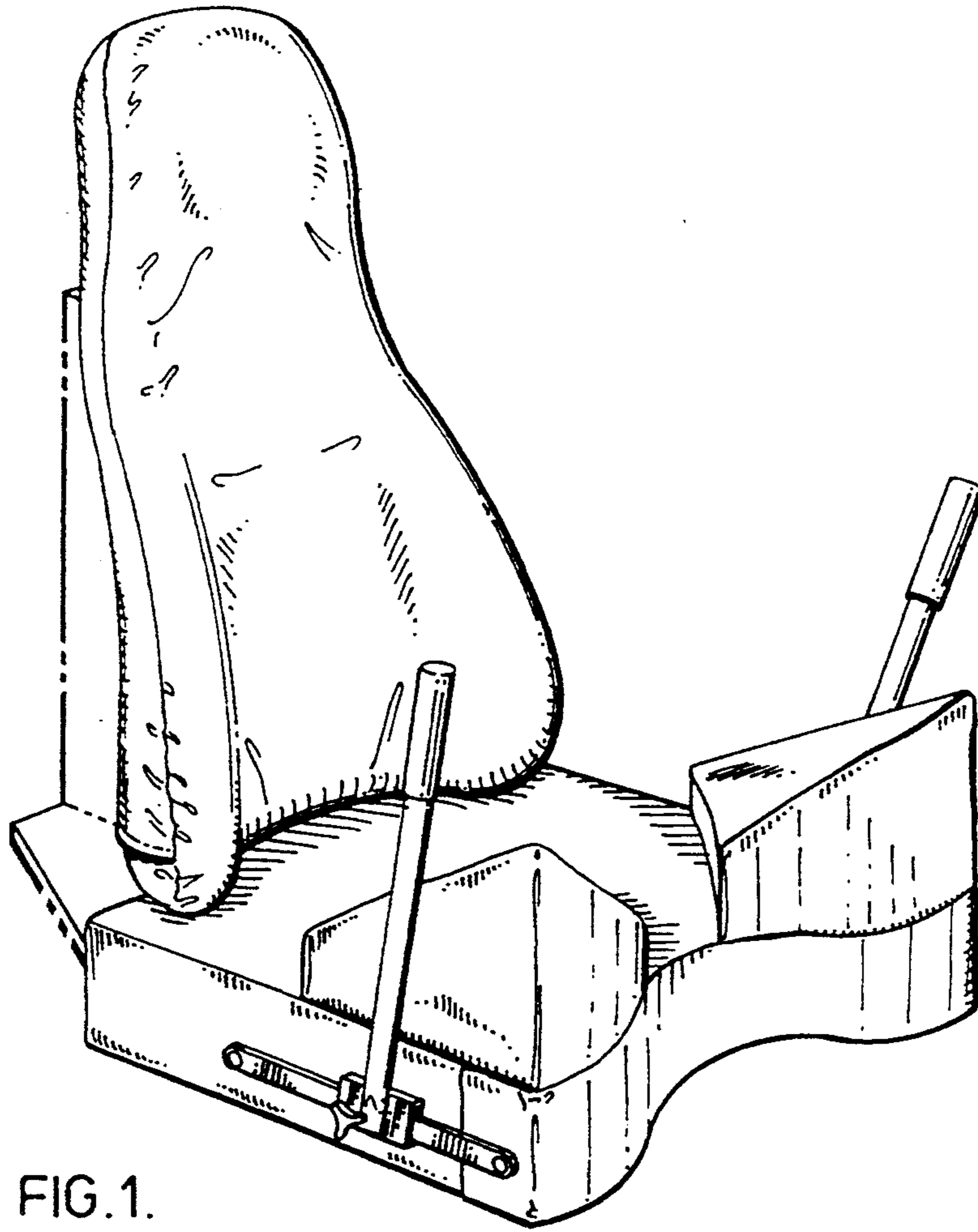


FIG. 1.

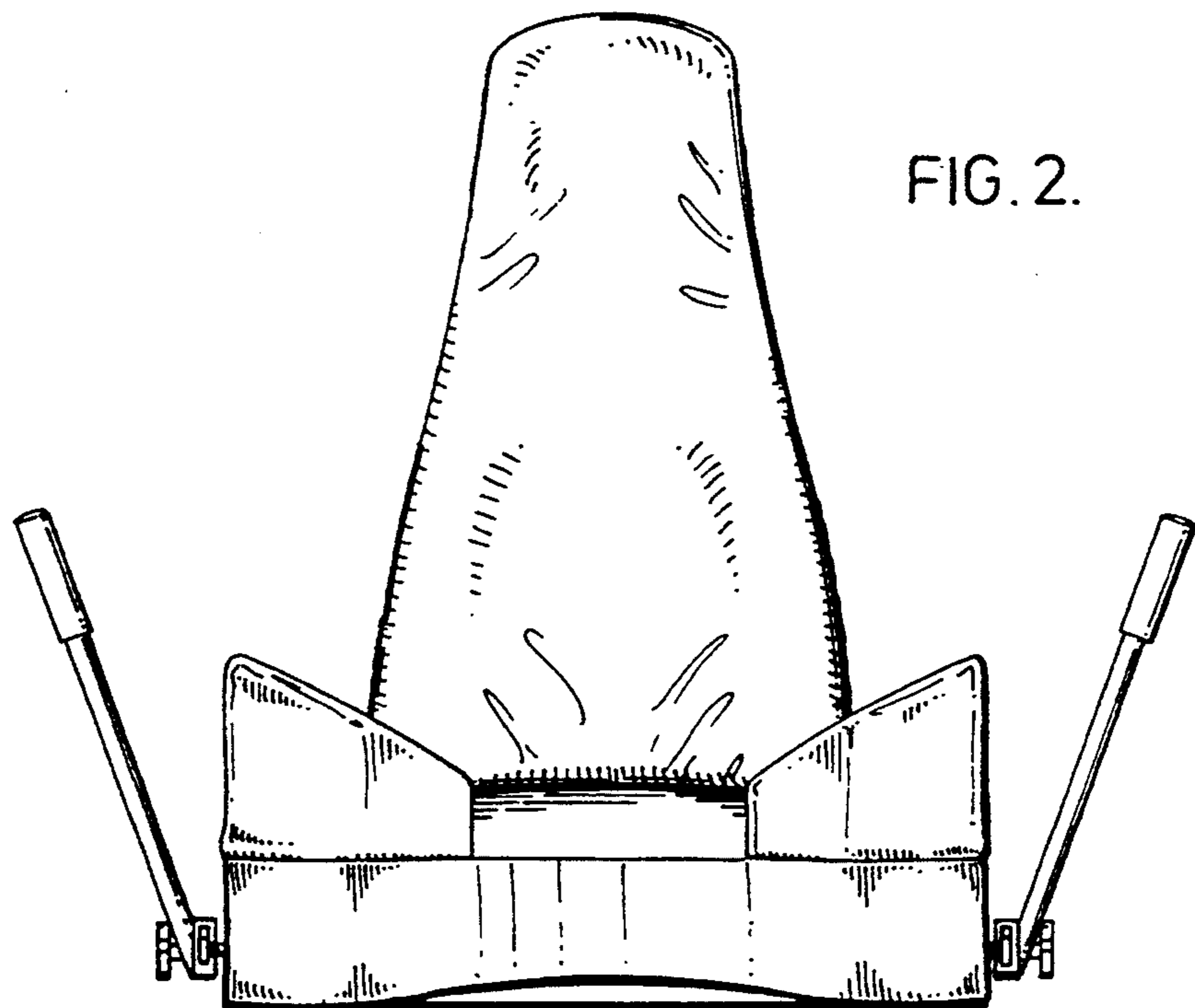


FIG. 2.

FIG. 3.

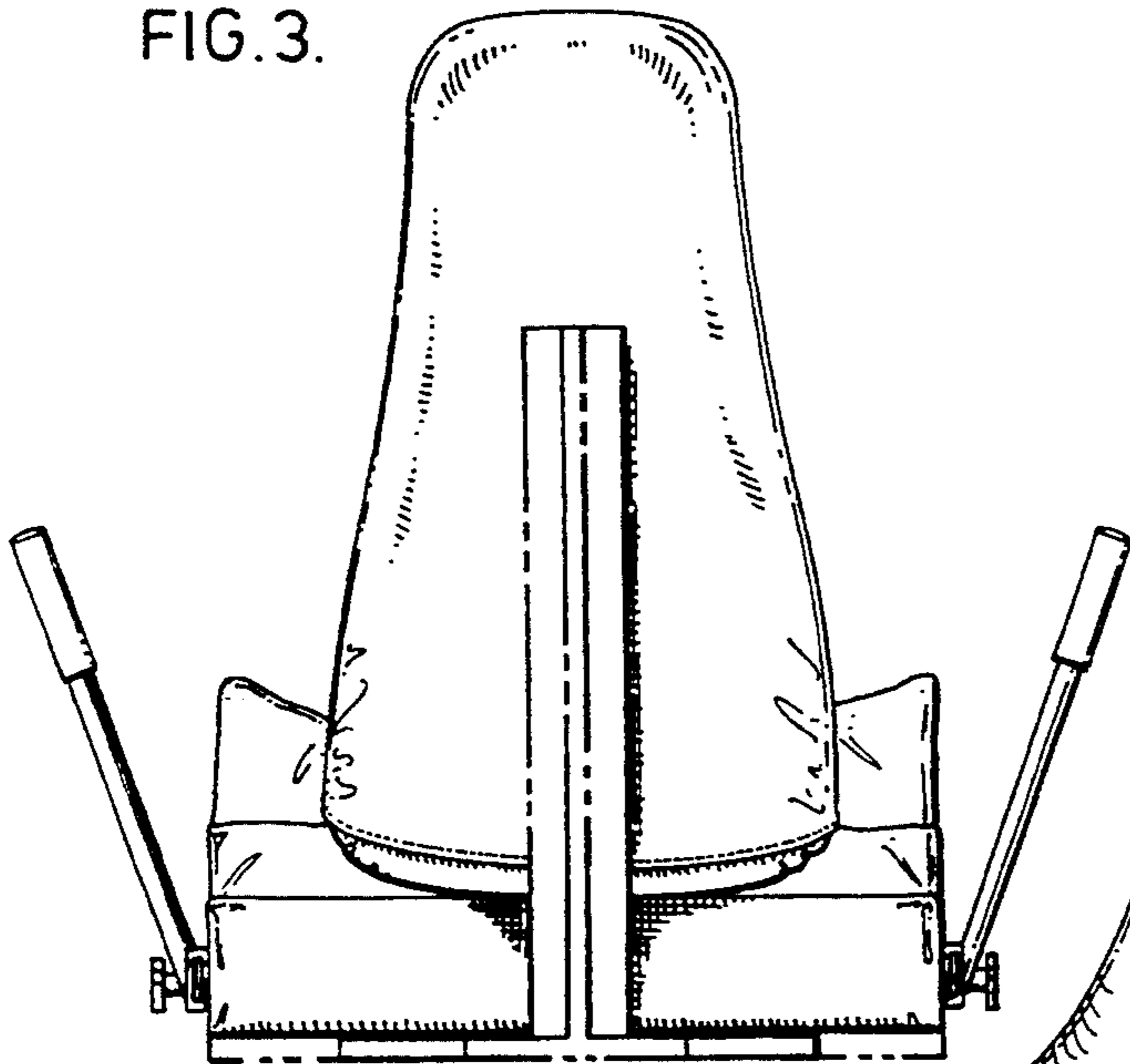


FIG. 4.

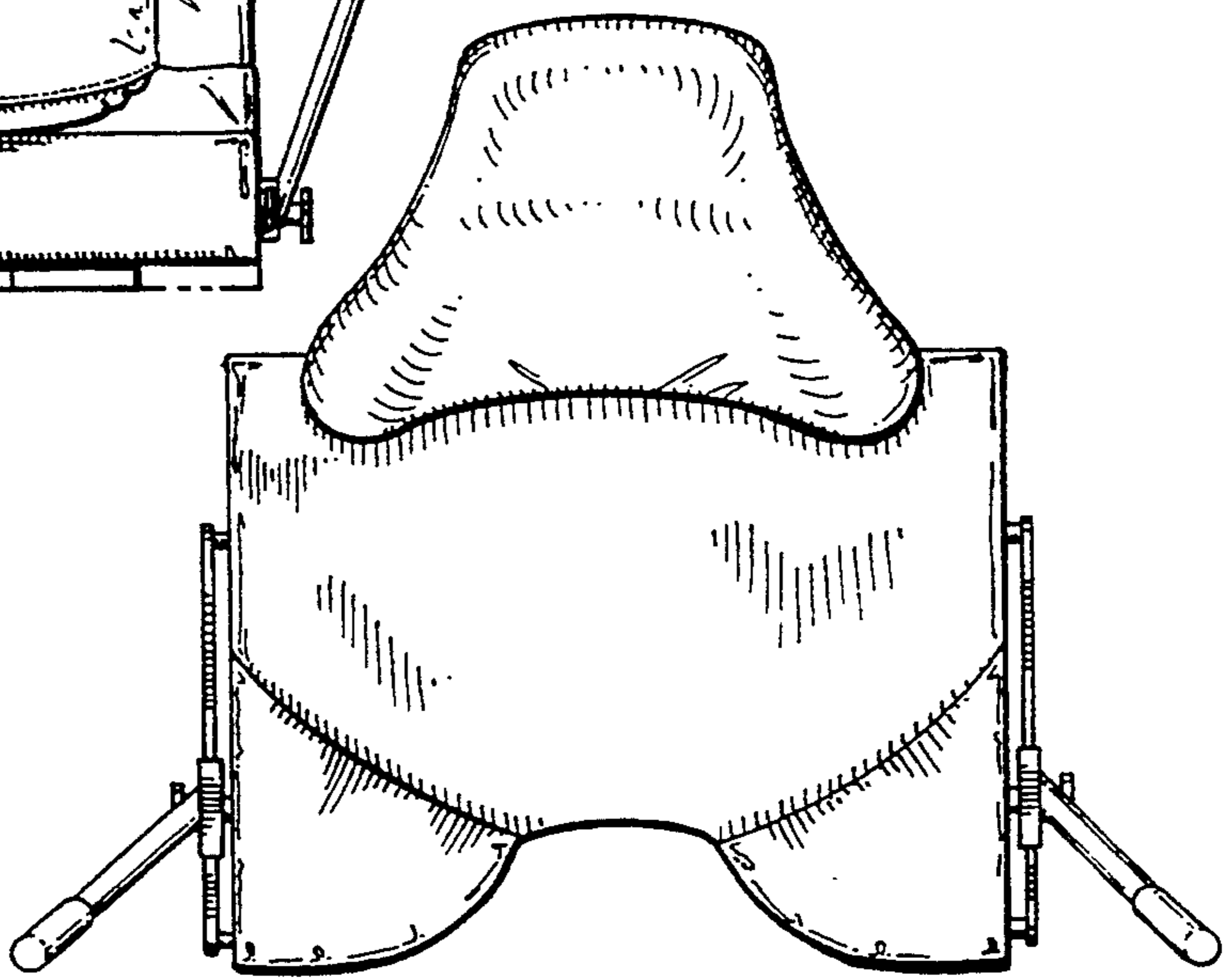
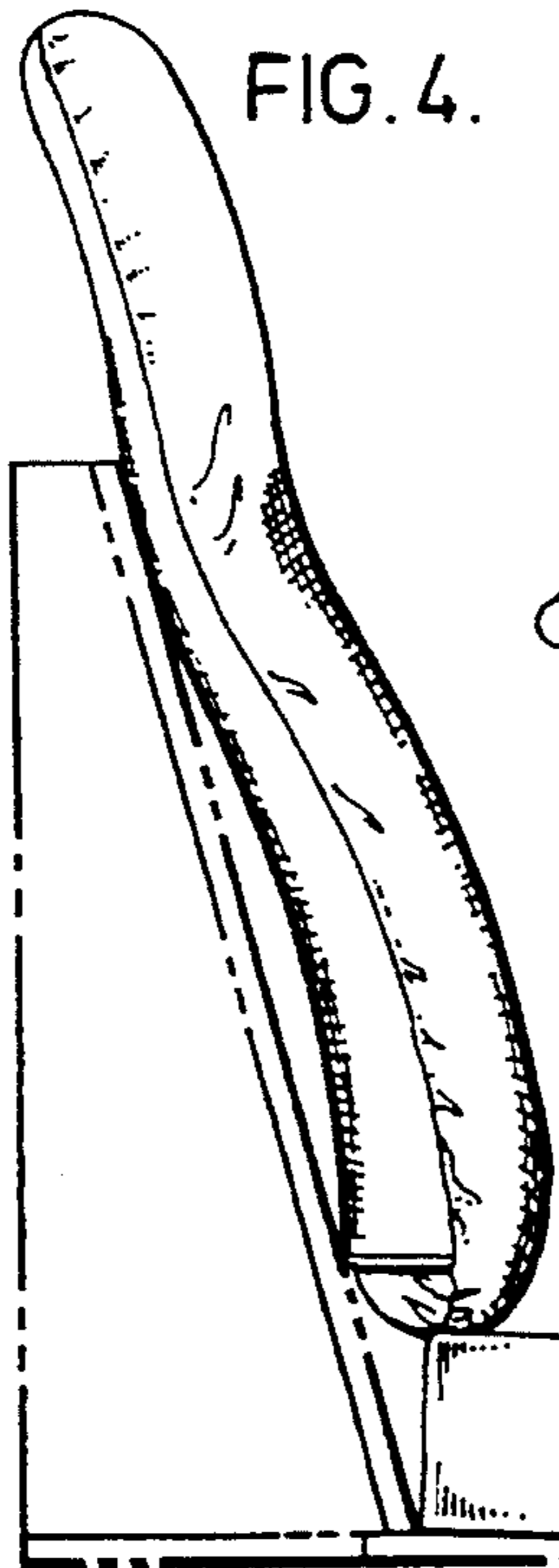


FIG. 5.