



US00D353456S

United States Patent [19]

[11] Patent Number: **Des. 353,456**

Fayngold et al.

[45] Date of Patent: **** Dec. 13, 1994**

[54] **INTRAVENOUS BLOOD COLLECTION SET SHIELD**

5,112,313	5/1992	Sallee	D24/130 X
5,120,320	6/1992	Fayngold	604/177
5,192,275	3/1993	Burns	604/263

[75] Inventors: **Zevulen Fayngold**, Livingston;
Michael C. Bennett, Summit, both of N.J.

Primary Examiner—A. Hugo Word
Assistant Examiner—I. Simmons
Attorney, Agent, or Firm—Alan W. Fiedler

[73] Assignee: **Becton Dickinson and Company**, Franklin Lakes, N.J.

[57] **CLAIM**

[**] Term: **14 Years**

The ornamental design for a intravenous blood collection set shield, as shown and described.

[21] Appl. No.: **10,241**

DESCRIPTION

[22] Filed: **Jun. 29, 1993**

[52] U.S. Cl. **D24/130; D24/128**

[58] Field of Search 604/177, 174, 263, 192,
604/110; D24/130, 129, 112

FIG. 1 is a perspective view of an intravenous blood collection set shield, showing our design;
 FIG. 2 is a rear elevational view of the intravenous blood collection set shield of FIG. 1;
 FIG. 3 is a front elevational view of the intravenous blood collection set shield of FIG. 1;
 FIG. 4 is a top plan view of the intravenous blood collection set shield of FIG. 1;
 FIG. 5 is a side elevational view of the intravenous blood collection set shield of FIG. 1, with the other side being identical; and,
 FIG. 6 is a bottom plan view of the intravenous blood collection set shield of FIG. 1.

[56] **References Cited**

U.S. PATENT DOCUMENTS

D. 327,321	6/1992	Russell et al.	D24/130
4,517,971	5/1985	Sorbonne	604/174 X
4,631,058	12/1986	Raines	D24/128 X
4,846,807	7/1989	Safadago	128/DIG. 26 X
4,898,587	2/1990	Mera	604/174
5,112,311	5/1992	Utterberg et al.	604/177

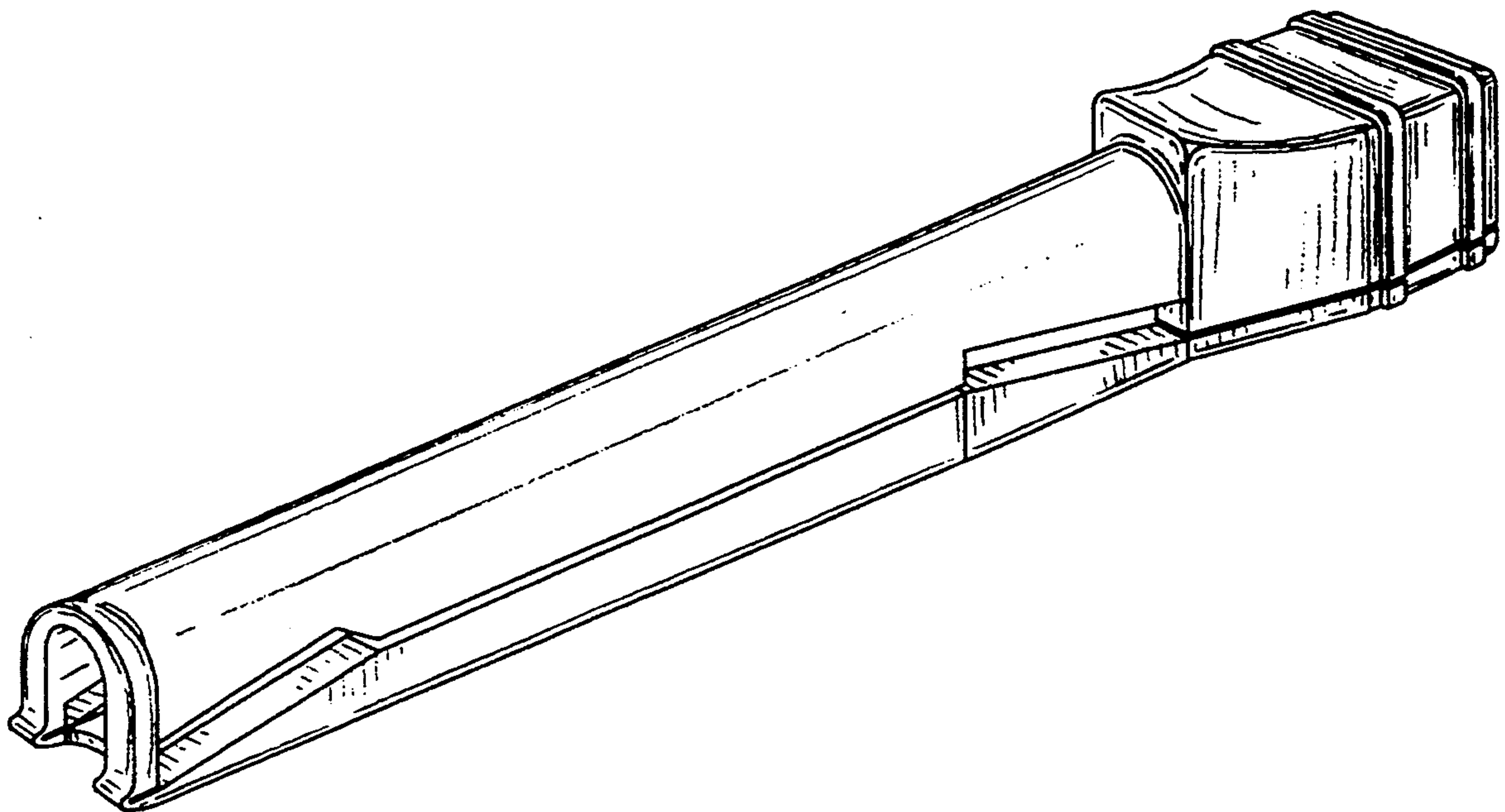


FIG-1

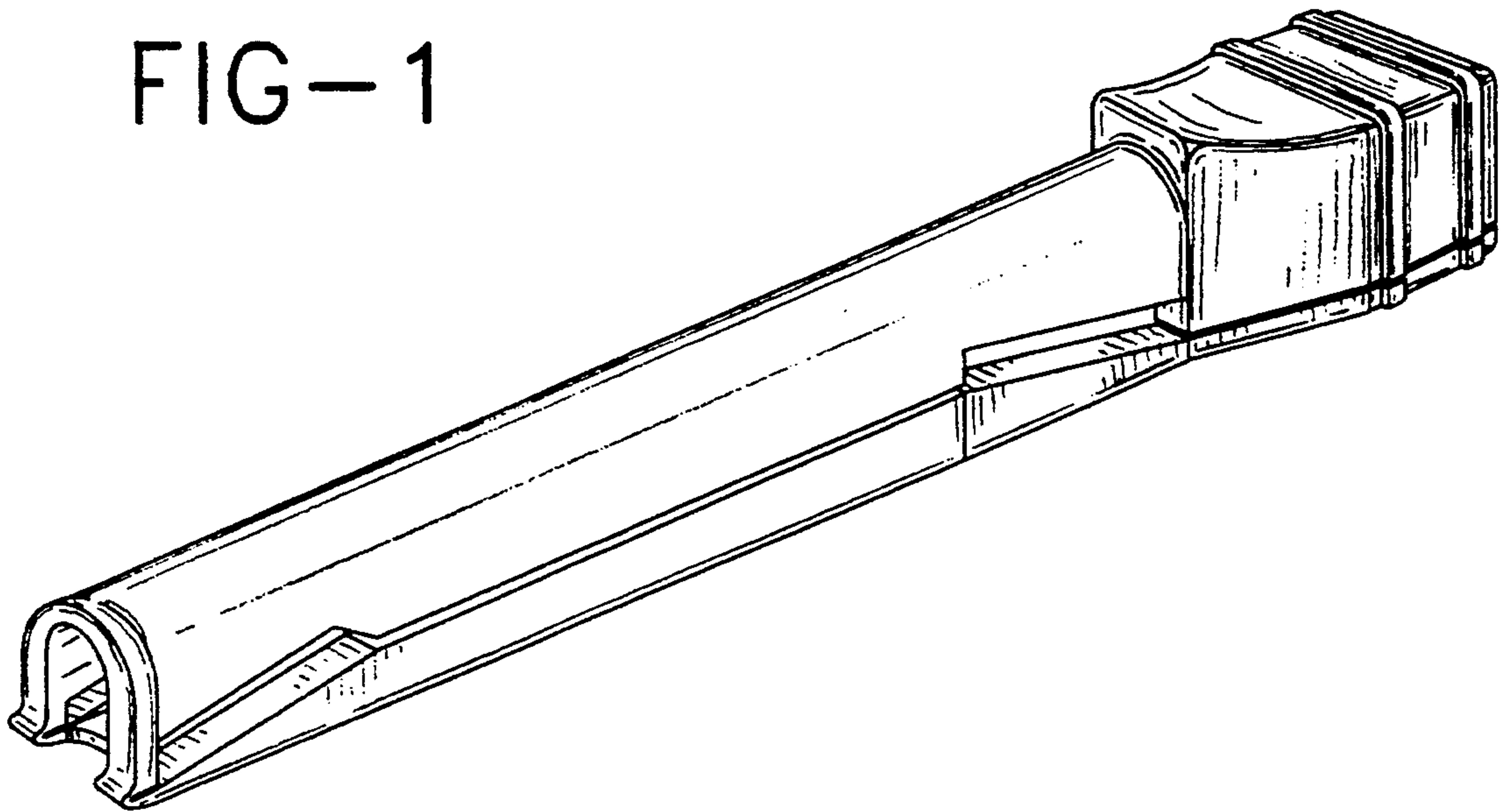


FIG-2

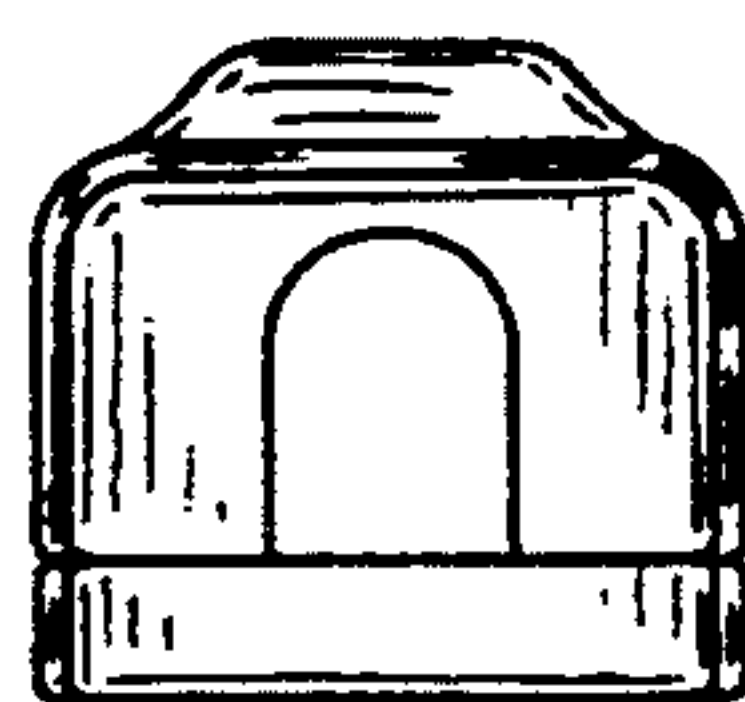


FIG-3

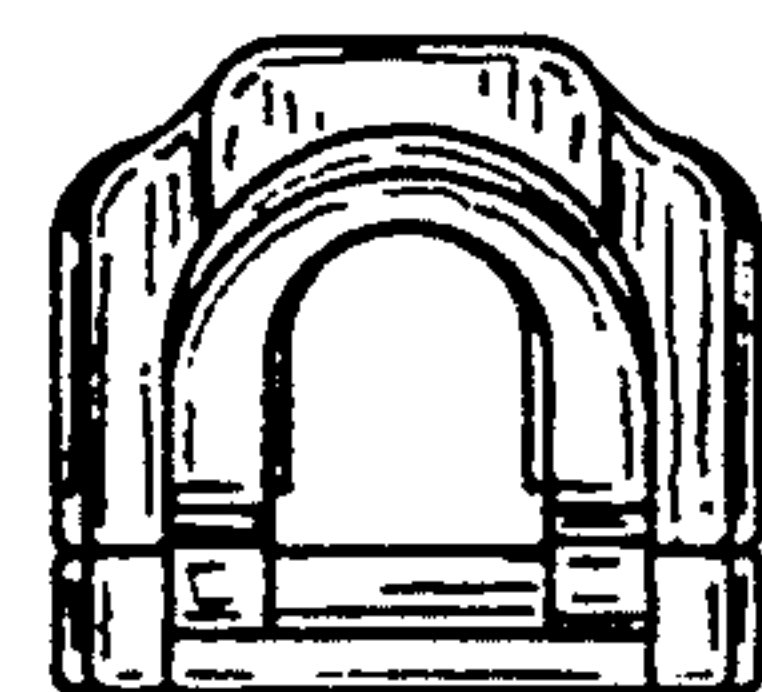


FIG-4

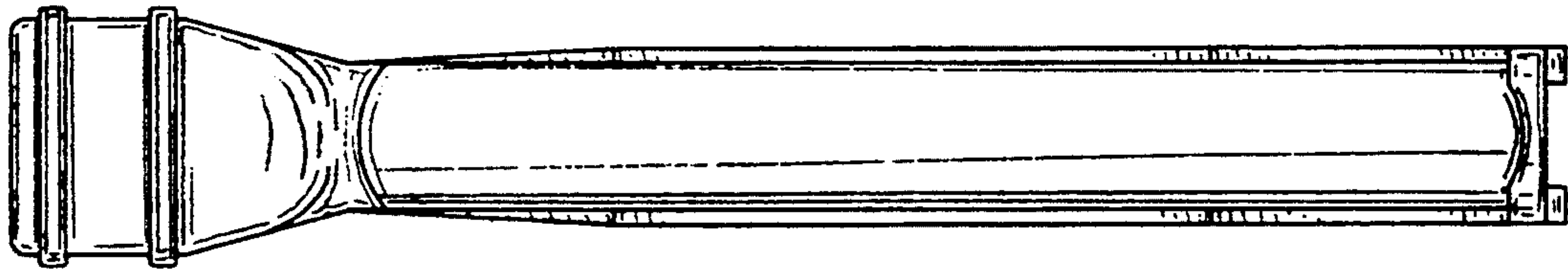


FIG-5

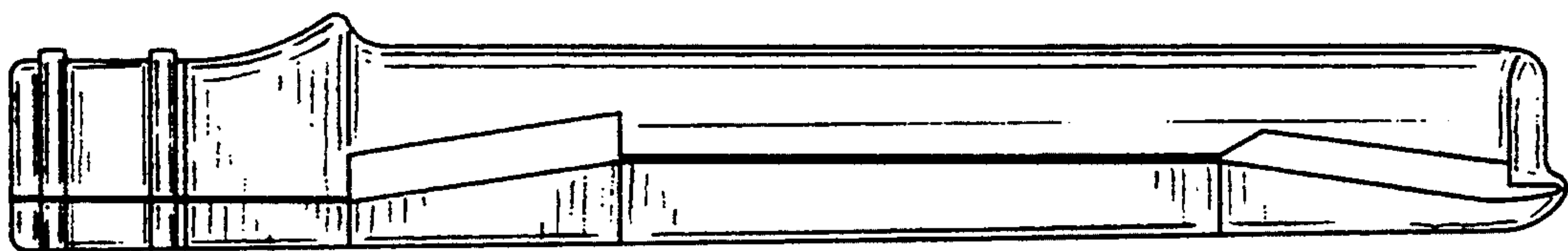


FIG-6

