



US00D353455S

United States Patent [19]

[11] Patent Number: Des. 353,455

Raynes

[45] Date of Patent: ** Dec. 13, 1994

[54] BRAILLE INSERT FOR A CONTINUOUS CARTRIDGE FOR HANDRAILS

[76] Inventor: Coco Raynes, 11-13 Remington St., Cambridge, Mass. 02138

[**] Term: 14 Years

[21] Appl. No.: 5,088

[22] Filed: Feb. 23, 1993

[52] U.S. Cl. D25/121

[58] Field of Search 434/113, 114, 115; D19/59, 62, 64; D20/13, 40, 42, 43, 44; D25/121, 119, 42, 43, 44, 45

[56] References Cited

U.S. PATENT DOCUMENTS

| | | | | |
|------------|---------|------------------|-------|---------|
| D. 114,636 | 5/1939 | Erickson | | D20/42 |
| D. 117,893 | 12/1939 | Bonnell | | D25/121 |
| D. 202,759 | 11/1965 | Fisher | | D20/44 |
| D. 205,824 | 9/1966 | Fisher | | D25/121 |
| D. 273,596 | 4/1984 | Waldecrantz | | D20/44 |
| 3,411,752 | 11/1968 | Bos | | D25/121 |
| 3,918,686 | 11/1975 | Knott et al. | | D25/121 |
| 4,590,474 | 5/1986 | Patterson et al. | | D25/121 |
| 4,823,524 | 4/1989 | Bidnar | | D25/38 |
| 5,065,837 | 11/1991 | Szudy | | 434/113 |
| 5,284,444 | 2/1994 | Rayrus | | 434/113 |

FOREIGN PATENT DOCUMENTS

| | | | | |
|--------|---------|-------|-------|---------|
| 319784 | 12/1989 | Japan | | 434/113 |
|--------|---------|-------|-------|---------|

OTHER PUBLICATIONS

The B&T Metals Catalog; p. 51; Item G-Insert Type Wall Trim.

LOXIT Mouldings Catalog; No. 3-48; Feb. 16, 1949; p. 14 Item AL-372 Counter Facing.

Braille Alphabet Card from Columbia Lighthouse for the Blind.

1991 Sweets Catalogs; Boston Metal Products Protective Bumper System; #E-316A.

Primary Examiner—Cathy Anne MacCormac
Attorney, Agent, or Firm—Lahive & Cockfield

[57] CLAIM

The ornamental design for a braille insert for a continuous cartridge for handrails, as shown and described.

DESCRIPTION

FIG. 1 is a perspective view of a braille insert for a continuous cartridge showing my new design;

FIG. 2 is a fragmentary front elevational view thereof;

FIG. 3 is a fragmentary plan view thereof the top plan view being a mirror image thereof;

FIG. 4 is a fragmentary sectional view thereof, along line 4-4 of FIG. 2;

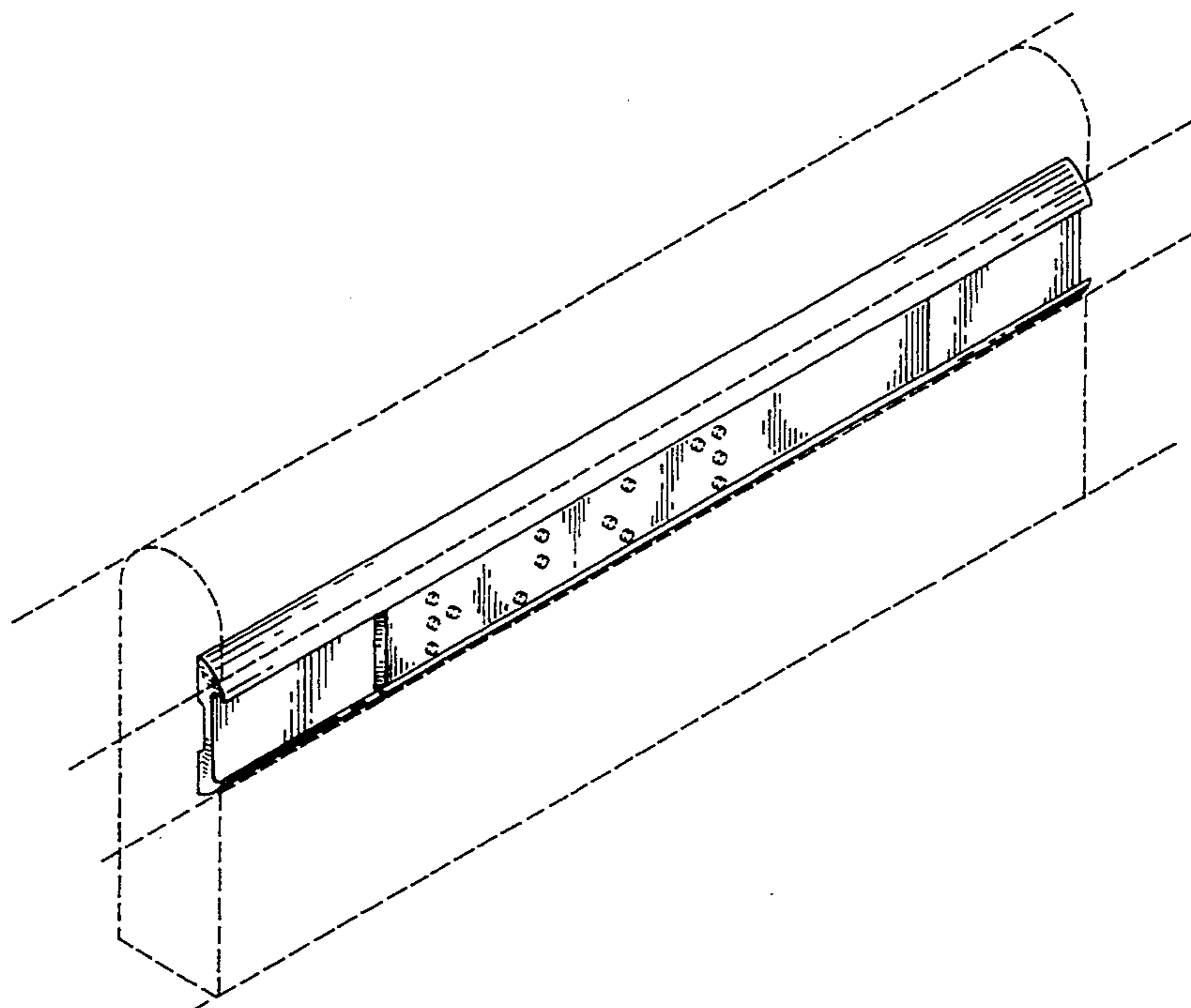
FIG. 5 is a fragmentary rear elevational view thereof;

FIG. 6 is a side elevational view thereof;

FIG. 7 is an exploded perspective view thereof showing the braille insert thereof; and,

FIG. 8 is a perspective view thereof, showing the braille insert in the continuous cartridge, inserted in a groove in a handrail.

The broken lines in FIGS. 1, 2, 3, 4, 6, 7 and 8 are for purposes of illustration only and form no part of the claimed design.



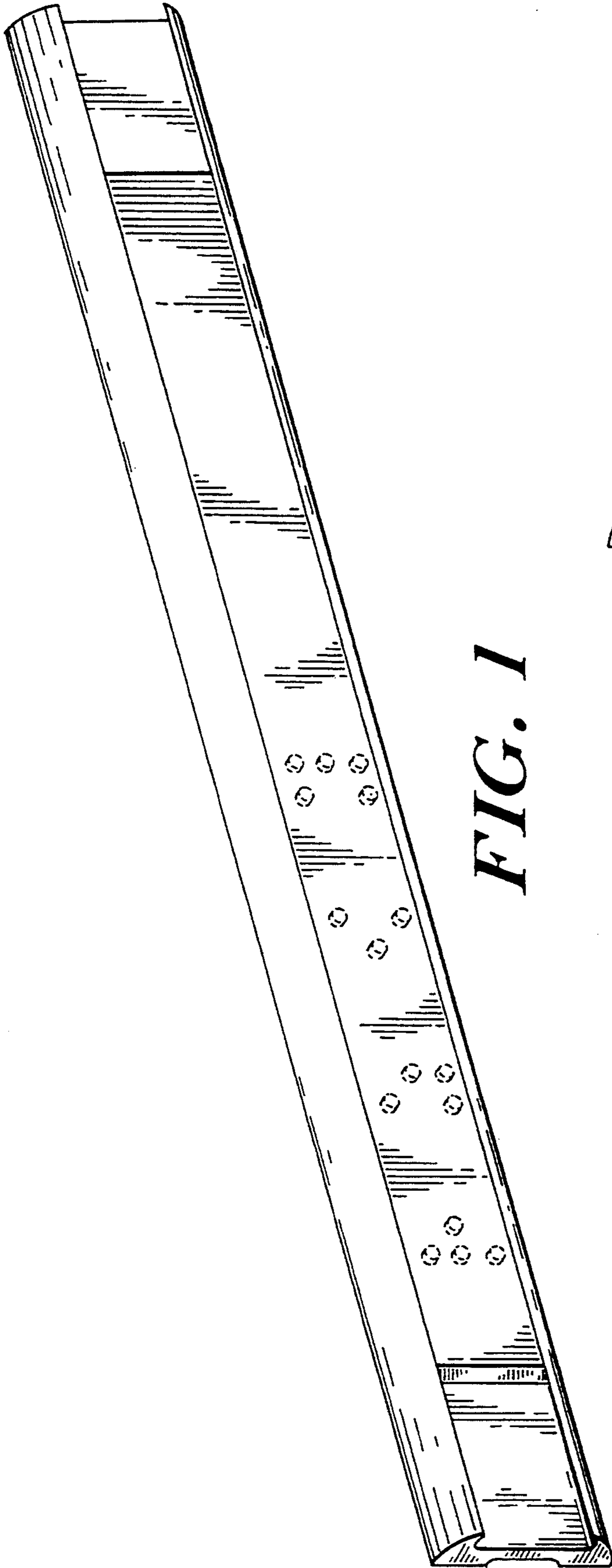


FIG. 1

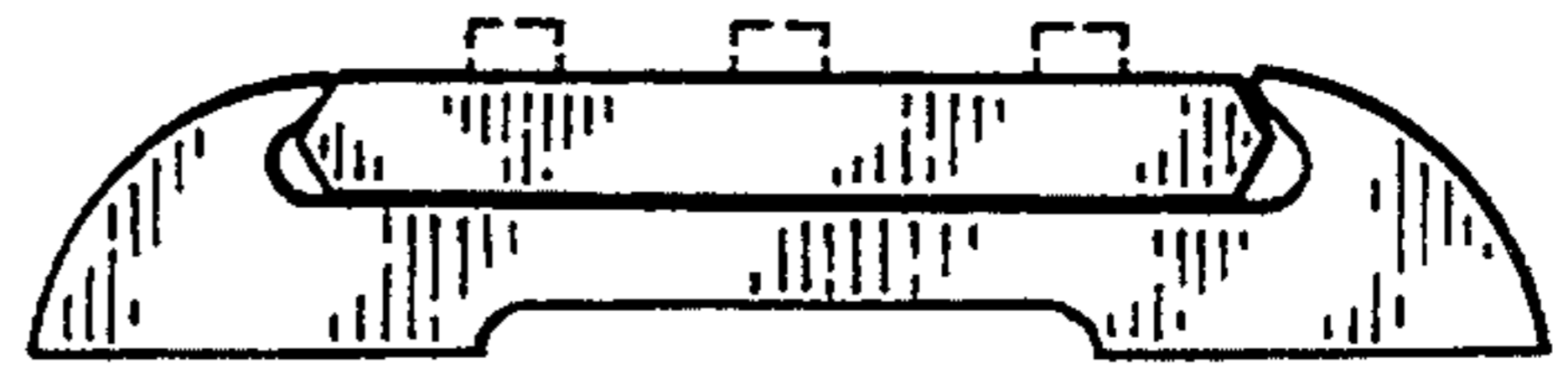


FIG. 6

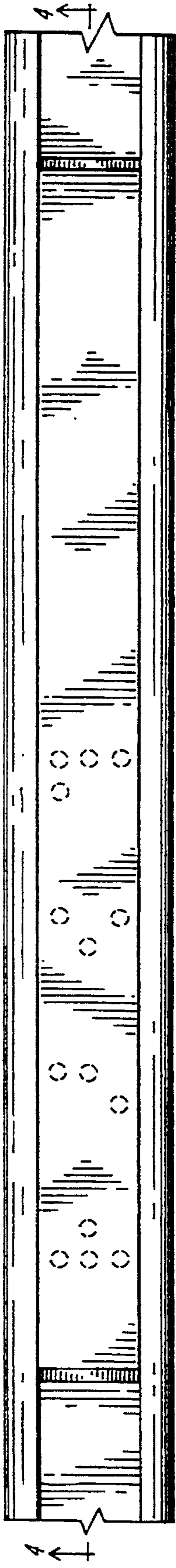


FIG. 2



FIG. 3



FIG. 4

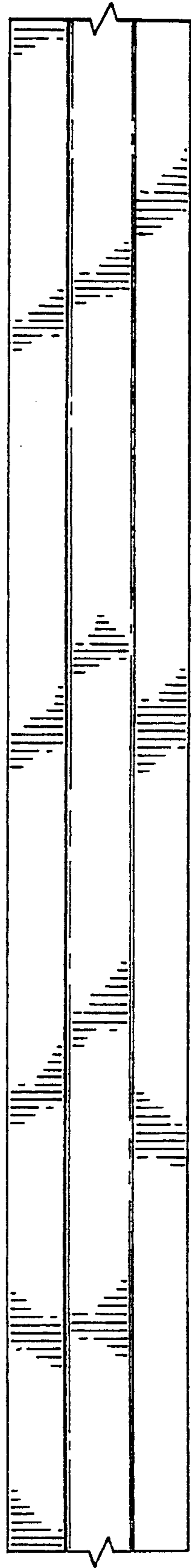


FIG. 5

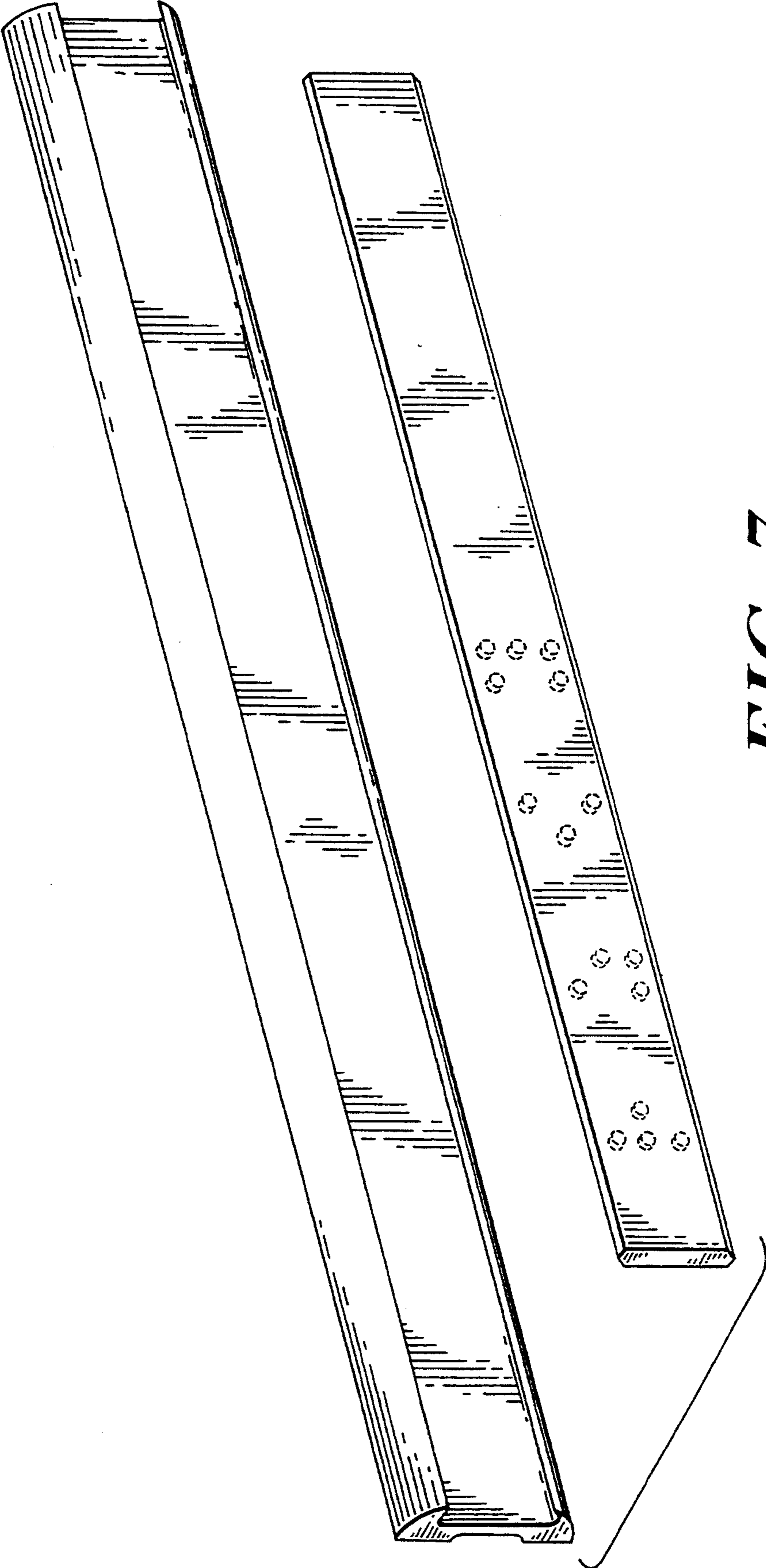


FIG. 7

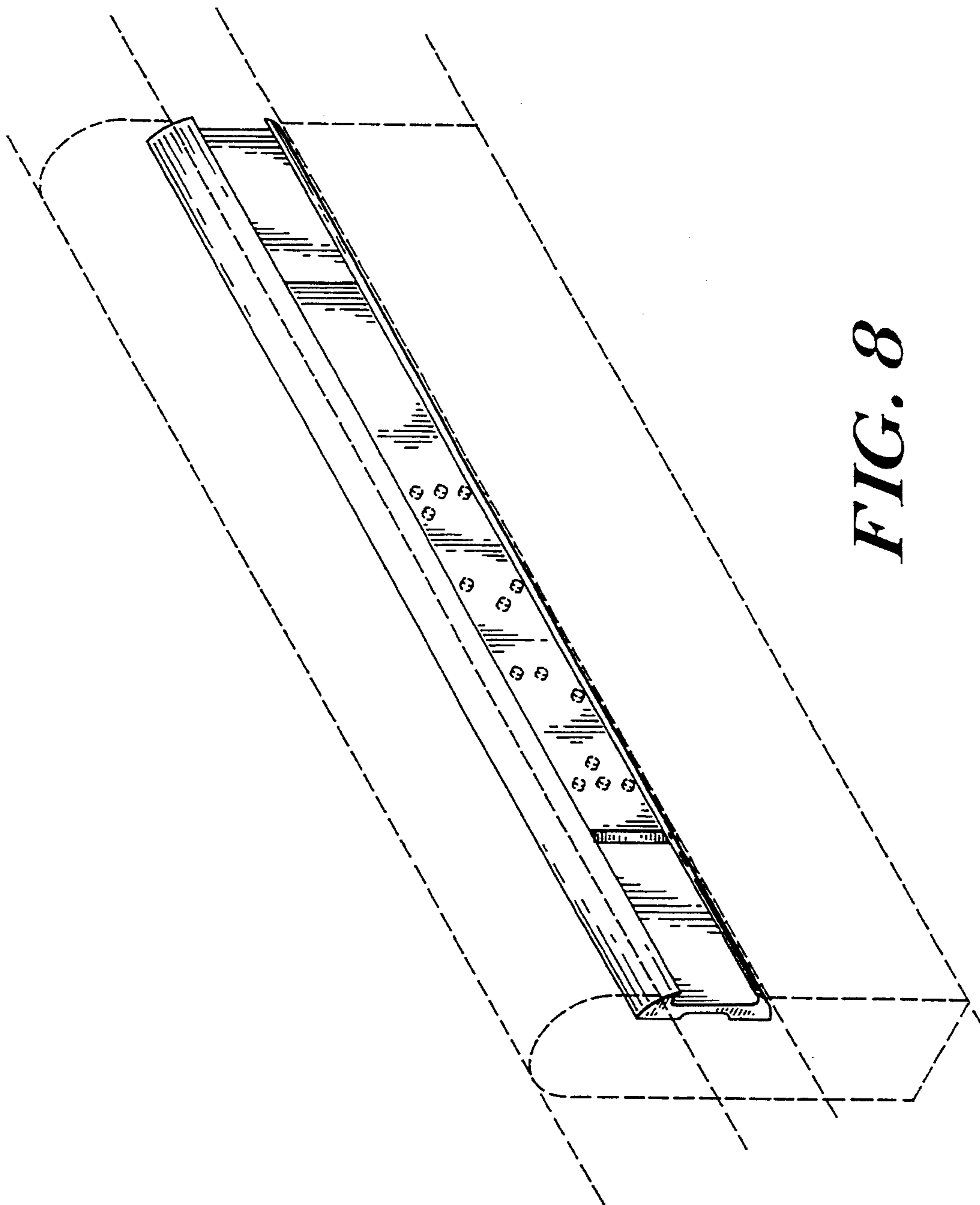


FIG. 8