



US00D353454S

United States Patent [19]

[11] Patent Number: **Des. 353,454**

Coombs

[45] Date of Patent: **** Dec. 13, 1994**

[54] **COMBINED EPIDURAL INTRODUCER AND SPINAL NEEDLE**

4,808,157	2/1989	Coombs	604/52	X
4,935,008	6/1990	Lewis, Jr.	604/272	X
4,958,901	9/1990	Coombs	604/44	
5,012,818	5/1991	Juishy	604/44	X

[75] Inventor: **Dennis W. Coombs, Etna, N.H.**

[73] Assignee: **Neurodelivery Technology, Inc., Lebanon, N.H.**

[**] Term: **14 Years**

Primary Examiner—A. Hugo Word
Assistant Examiner—I. Simmons
Attorney, Agent, or Firm—Michael J. Weins

[21] Appl. No.: **491**

[57] **CLAIM**

[22] Filed: **Oct. 15, 1992**

The ornmental design for a combined epidural introducer and spinal needle, as shown and described.

[52] U.S. Cl. **D24/112**

DESCRIPTION

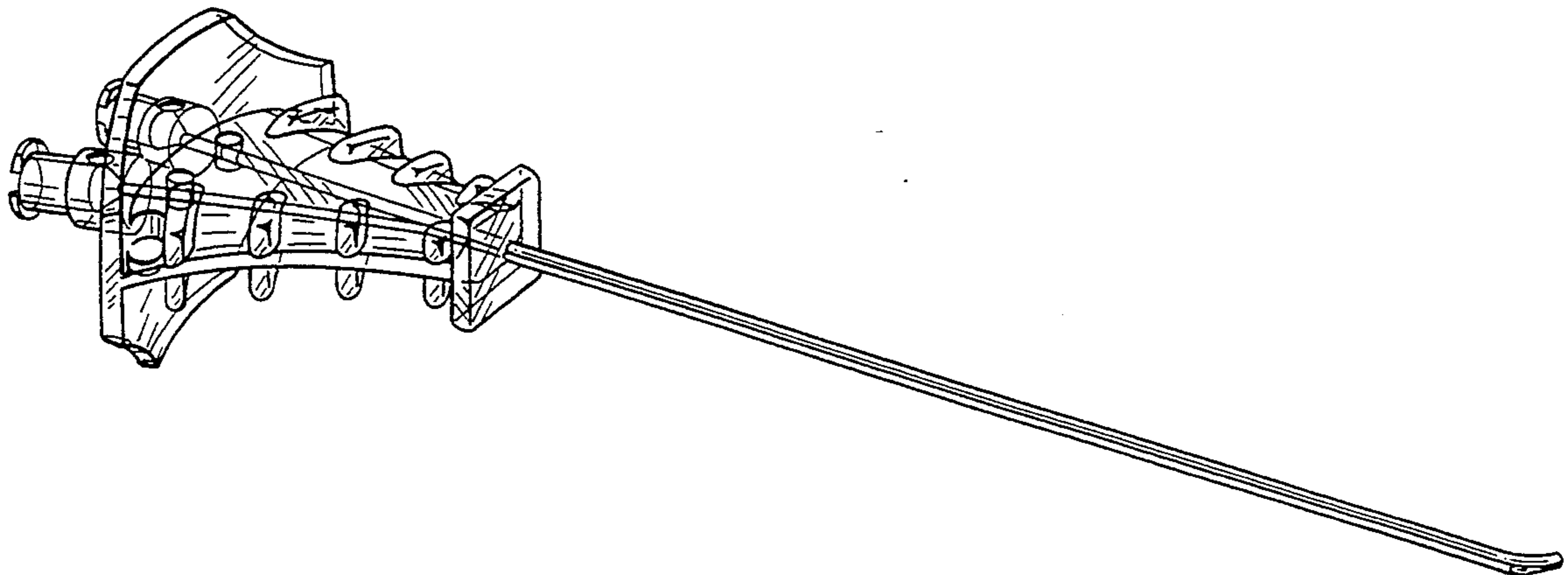
[58] **Field of Search** 604/44, 52, 158, 272, 604/160, 274, 168, 30, 164, 170; 128/753, 754; D24/112, 130, 146

FIG. 1 is a perspective view of a combined epidural introducer and spinal needle showing my new design; FIG. 2 is a rear end elevational view thereof; FIG. 3 is a front end elevational view thereof; FIG. 4 is a right side elevational view, the left side elevational view being a mirror image; FIG. 5 is a bottom plan view thereof; and, FIG. 6 is a top plan view thereof.

[56] **References Cited**

U.S. PATENT DOCUMENTS

D. 269,549	6/1983	Gross	D24/112
3,399,674	4/1963	Pannier et al.	D24/112 X



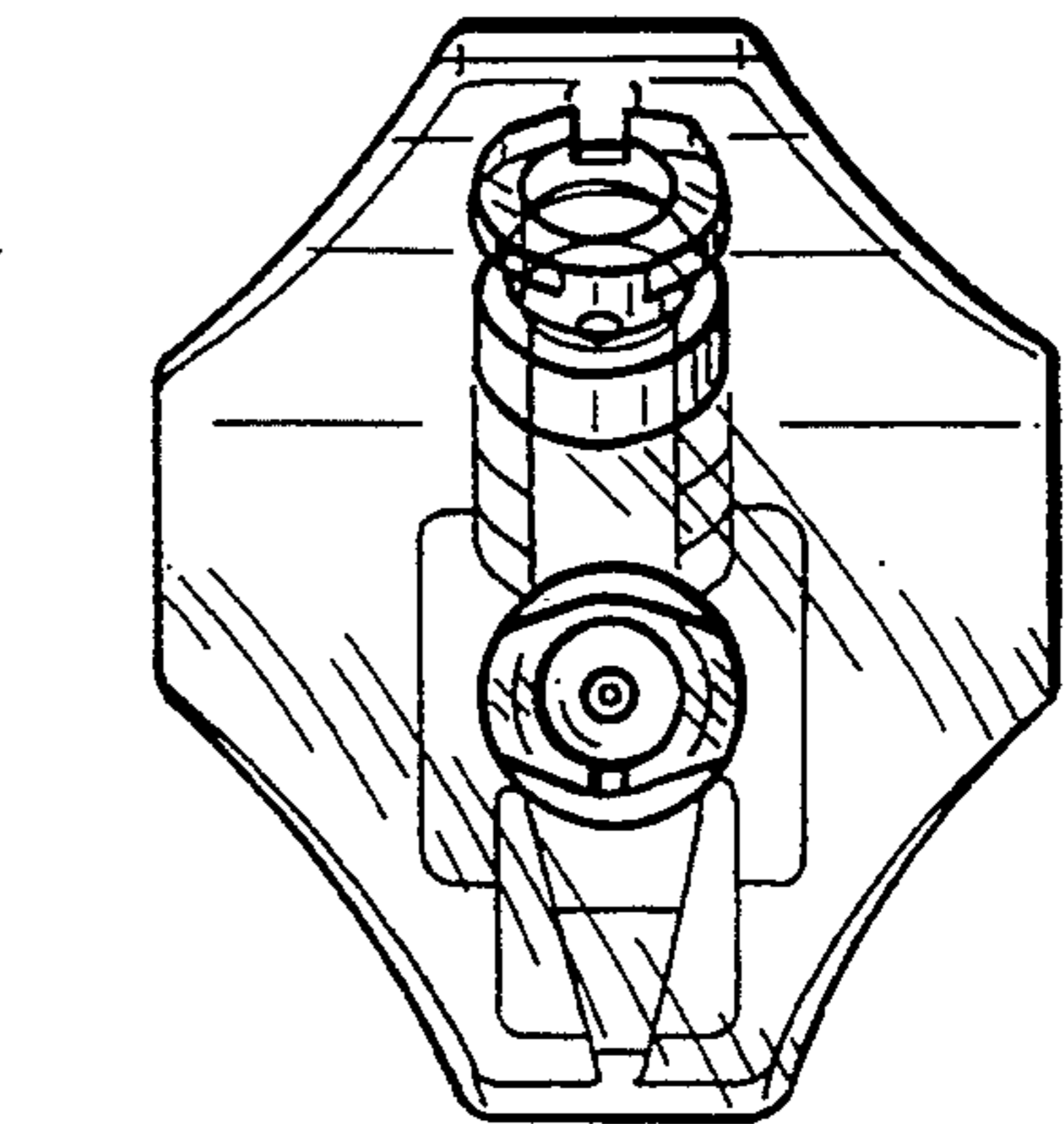
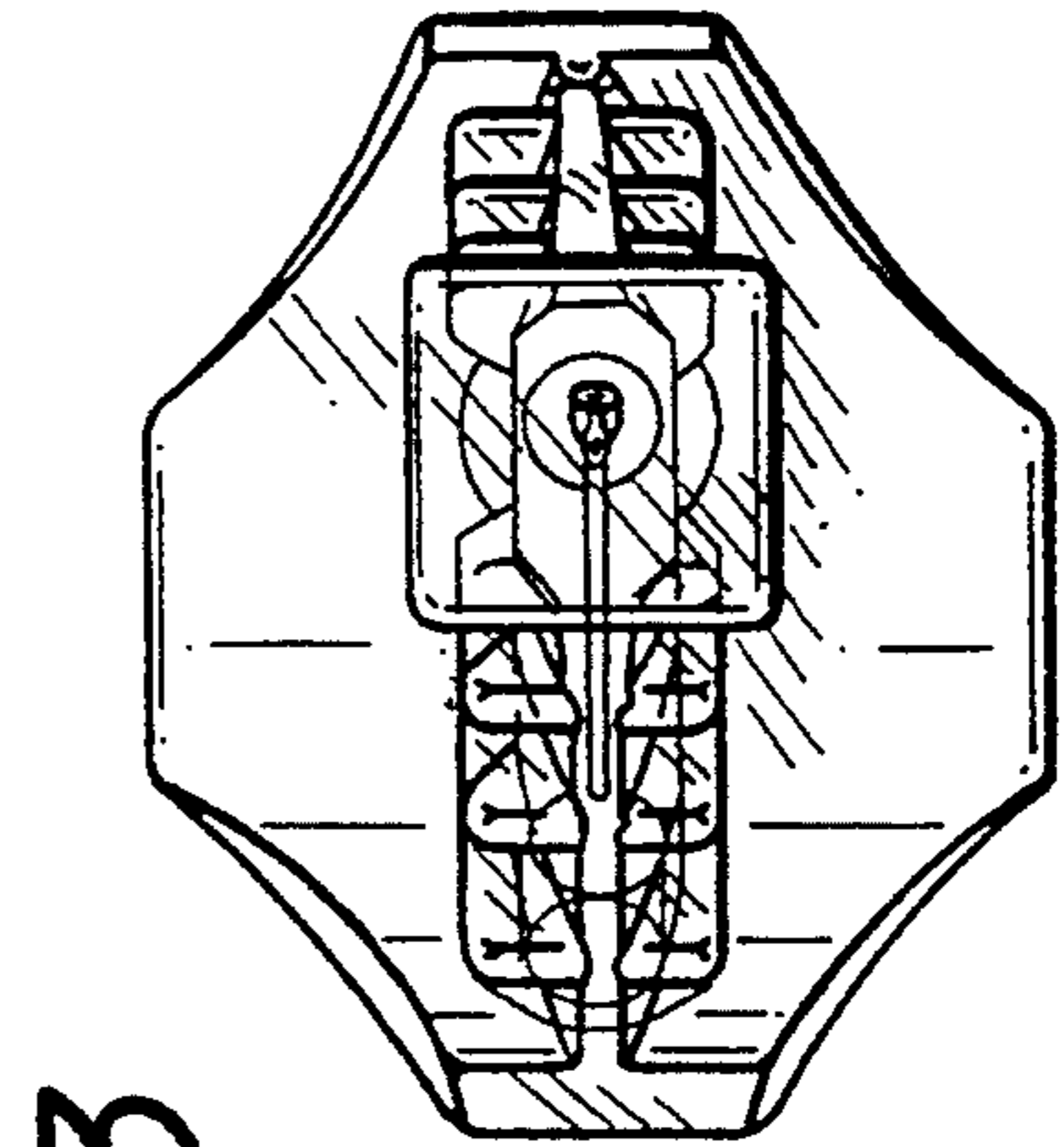
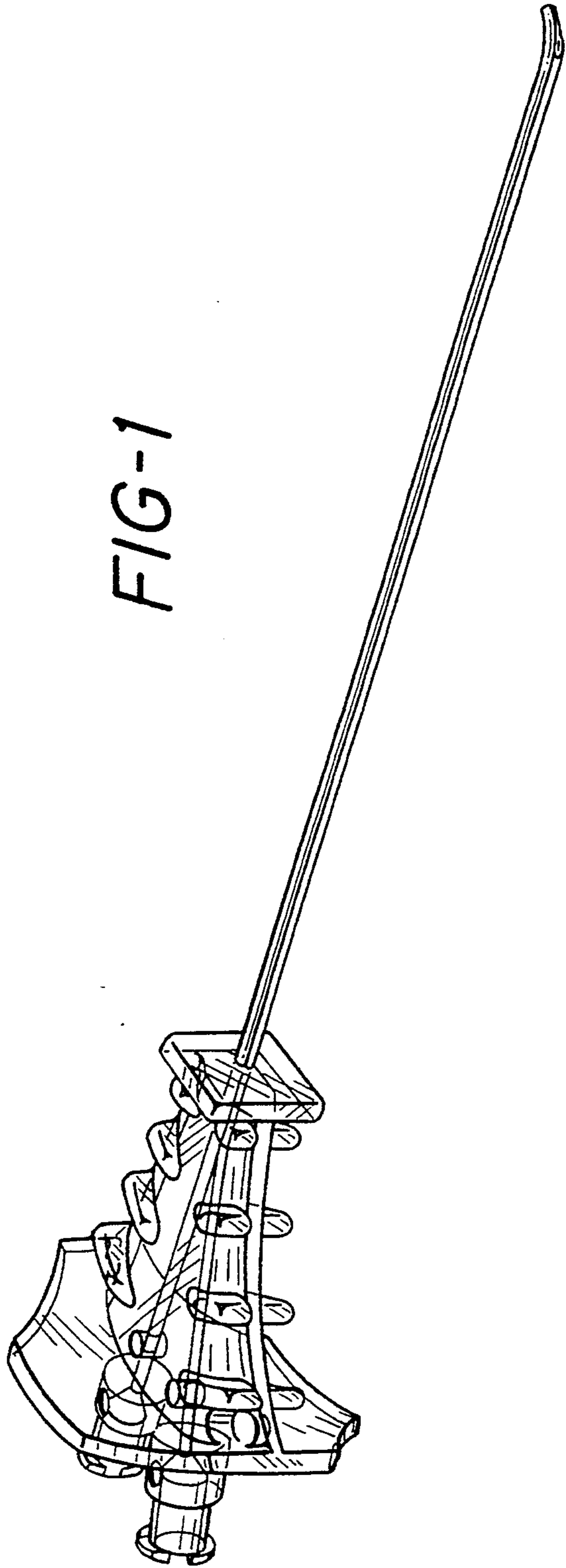


FIG-4

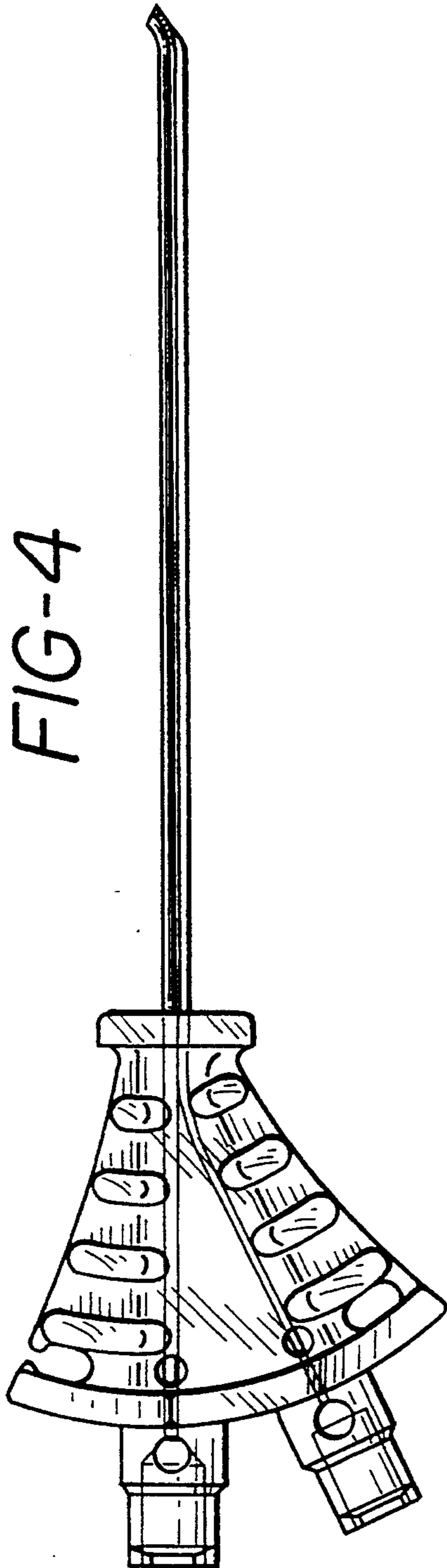


FIG-5

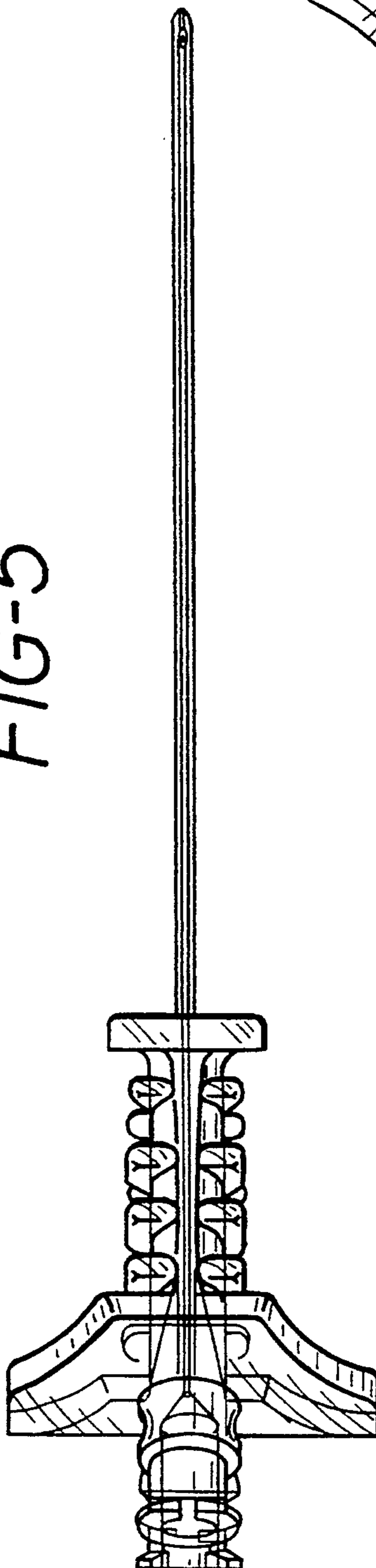


FIG-6

