



US00D353446S

# United States Patent [19]

[11] Patent Number: **Des. 353,446**

**Wheeler**

[45] Date of Patent: **\*\* Dec. 13, 1994**

[54] **PORTABLE BATHTUB**

[76] Inventor: **Debra G. Wheeler**, 3382 Brenner Rd.,  
Barberton, Ohio 44203

[\*\*] Term: **14 Years**

[21] Appl. No.: **13,467**

[22] Filed: **Sep. 24, 1993**

[52] U.S. Cl. .... **D23/280.1**

[58] Field of Search ..... 4/538, 572.1, 584, 586,  
4/589, 590; D23/277-283; D24/207, 205

1,914,826	6/1933	Ford .	
1,980,929	11/1934	Potter .	
2,066,088	12/1936	Bentley .	
2,079,770	5/1937	Robinson .	
2,329,326	9/1943	Bloomberg .	
2,809,380	10/1957	Gruen .	
2,886,828	5/1959	Lattuca .....	D23/278 X
2,967,309	1/1961	Corp .	
3,364,504	1/1968	Raeder .	
3,559,216	2/1971	Kyte .	
4,583,252	4/1986	McCourt .....	4/584
4,734,944	4/1988	O'Brien .....	4/584
4,844,944	7/1989	Graefe et al. .	
4,964,183	10/1990	LaForce, Jr. .	

[56]

**References Cited**

**U.S. PATENT DOCUMENTS**

D. 36,881	4/1904	Weelans .	
D. 90,361	7/1933	Druckenmiller .	
D. 95,375	2/1935	Morgan .	
D. 95,376	4/1935	Morgan .	
D. 98,497	2/1936	Clarke .....	D23/281
D. 101,447	10/1936	Dreyfuss et al. .	
D. 102,370	12/1936	Kohler .	
D. 126,223	4/1941	Ille .	
D. 143,204	12/1945	Fleischhauer .	
D. 148,393	1/1948	Schladermundt .	
D. 221,768	9/1971	Savedra .	
D. 233,262	10/1974	Tersch et al. ....	D24/205
D. 236,000	7/1975	Powell .....	D23/281
D. 236,619	9/1975	Powell .....	D23/281
D. 265,759	8/1982	Weber .....	D24/205
D. 266,788	11/1982	DuBois et al. ....	D24/205
D. 271,990	12/1983	Lyne .	
D. 293,363	12/1987	Everard .....	D23/277
D. 293,376	12/1987	Blackwell .....	D24/205
41,486	2/1864	Cook .	

**FOREIGN PATENT DOCUMENTS**

511483	8/1939	United Kingdom .
2193887	2/1988	United Kingdom .

*Primary Examiner*—James R. Largen  
*Attorney, Agent, or Firm*—Oldham, Oldham & Wilson  
Co.

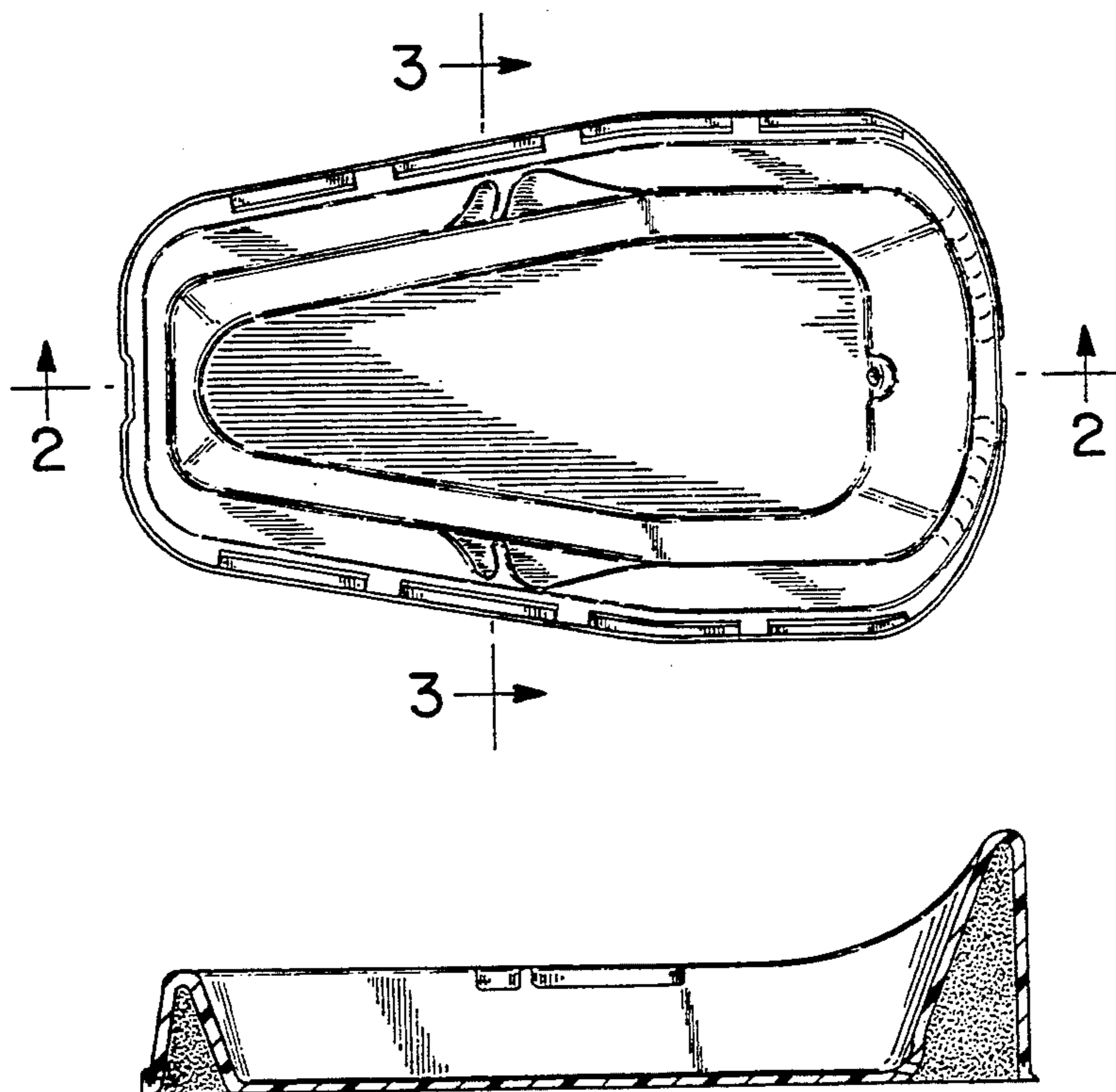
[57]

**CLAIM**

The ornamental design for a portable bathtub, as shown in the accompanying drawing.

**DESCRIPTION**

FIG. 1 is a top plan view of a portable bathtub showing my new design;  
FIG. 2 is a cross-sectional view taken on line 2—2 of FIG. 1;  
FIG. 3 is a cross-sectional view taken on line 3—3 of FIG. 1, and,  
FIG. 4 is a rear elevational view thereof.



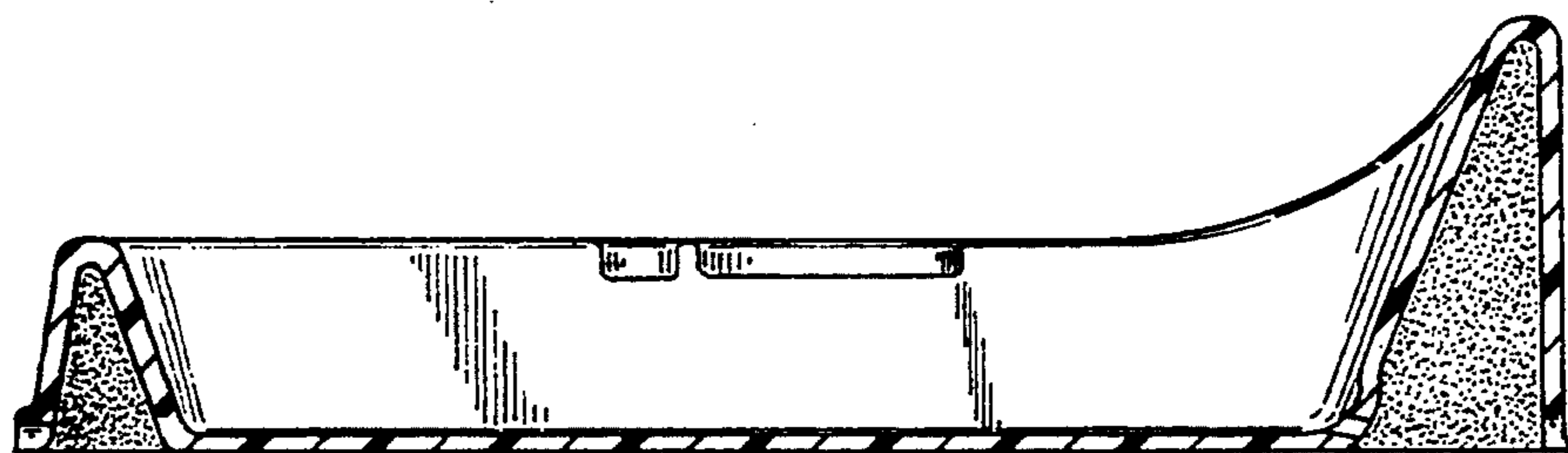
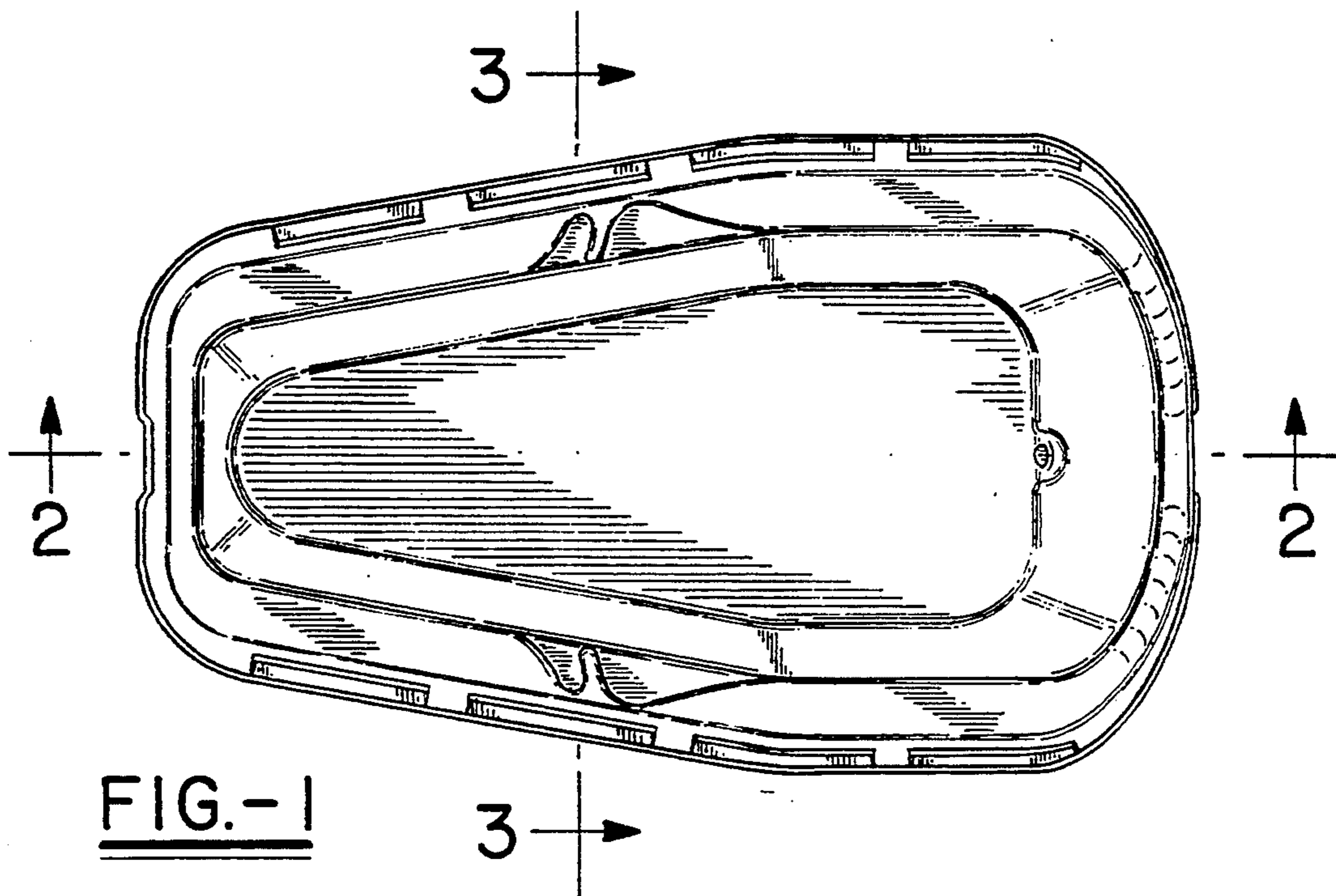


FIG. -2

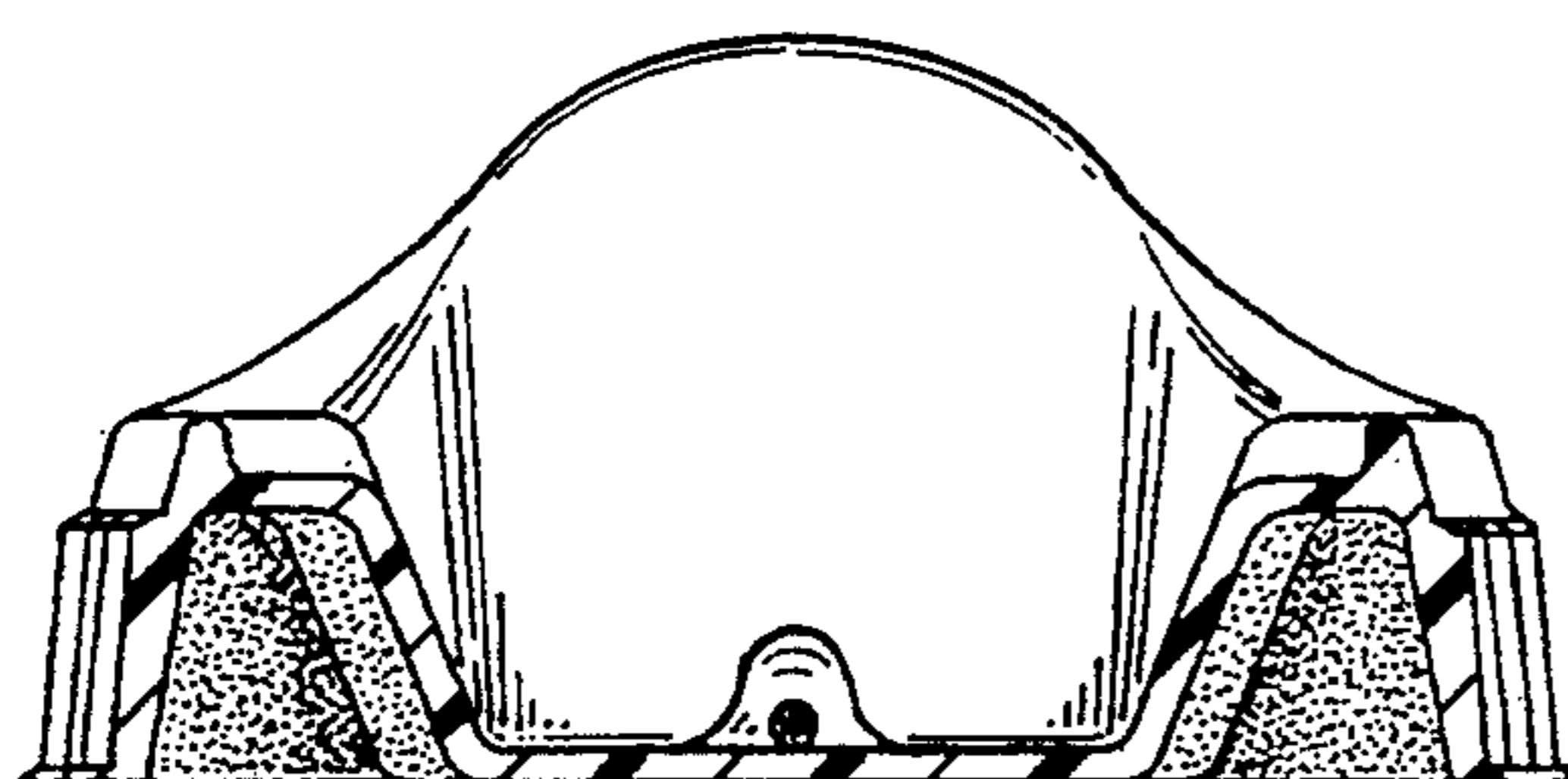


FIG. -3

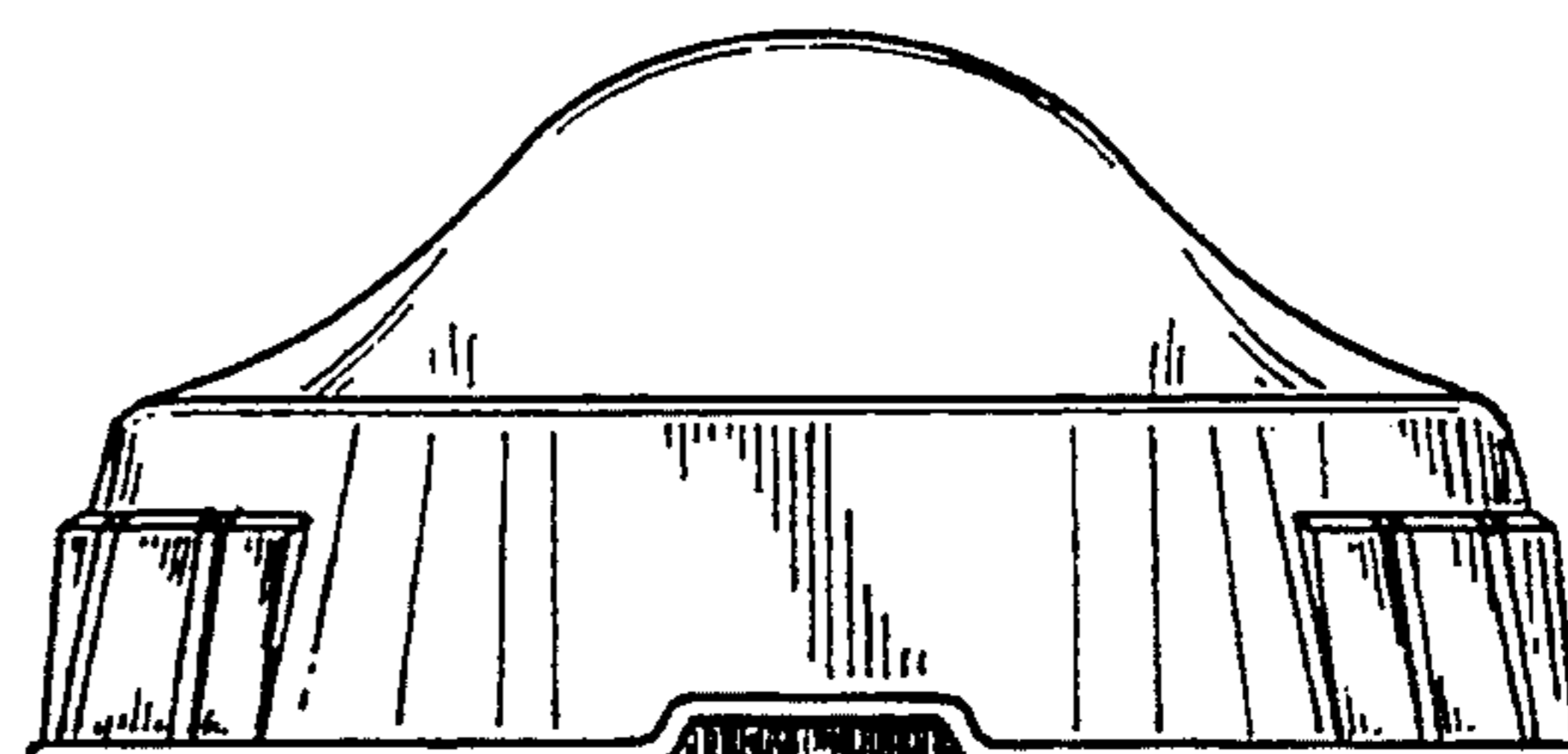


FIG. -4