



US00D353444S

United States Patent [19]

[11] Patent Number: **Des. 353,444**

Merrett

[45] Date of Patent: **** Dec. 13, 1994**

[54] SNAP ON CAP FOR A DRY FIRE HYDRANT

[75] Inventor: **Stanley L. Merrett, Dadeville, Ala.**

[73] Assignee: **Schlumberger Industries, Inc., Norcross, Ga.**

[**] Term: **14 Years**

[21] Appl. No.: **702,203**

[22] Filed: **May 17, 1991**

[52] U.S. Cl. **D23/260**

[58] Field of Search 137/269, 300, 371;
138/96 R, 96 T; 215/305; 220/266, 908;
D23/234, 260, 261

3,525,366	8/1970	DeFrees	138/96 T
3,587,654	6/1971	Yocum .	
4,138,023	2/1979	Turley .	
4,139,005	2/1979	Dickey .	
4,182,361	1/1980	Oakey	137/296
4,269,232	5/1981	Witschi .	
4,280,525	7/1981	Byrnes	137/296
4,390,110	6/1983	Pirro .	
4,417,890	11/1983	Dennehey et al. .	
4,602,654	7/1986	Stehling et al.	137/296
4,825,898	5/1989	Vis	137/296
5,033,501	7/1991	Stehling	137/296

Primary Examiner—James R. Largen
Attorney, Agent, or Firm—Sanford J. Asman

[56] **References Cited**

U.S. PATENT DOCUMENTS

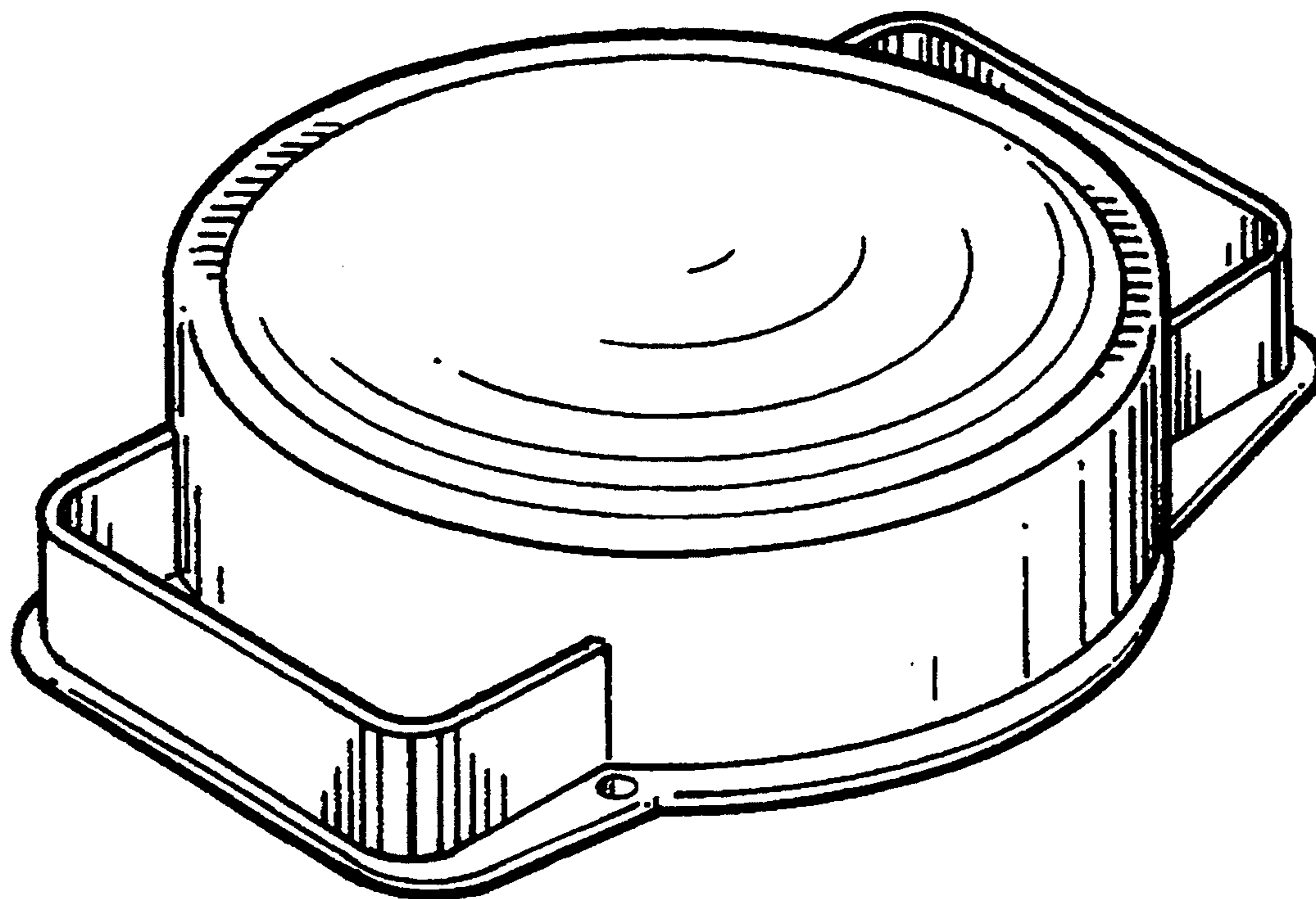
D. 209,378	11/1967	Pomroy	D23/260
D. 216,694	3/1970	Lause	D23/260
D. 268,722	4/1983	Bova	D23/260 X
D. 284,265	6/1986	Resan	D23/260 X
1,093,735	4/1914	Shapiro	215/305 X
1,712,232	5/1929	Rothfus .	
2,551,834	5/1951	Ferguson .	
2,573,552	10/1951	Detzel	138/96 T
2,811,152	10/1957	Wicks .	
2,913,121	11/1959	Randolph-Randolph .	

[57] **CLAIM**

The ornamental design for a snap on cap for a dry fire hydrant, as shown and described.

DESCRIPTION

FIG. 1 is a perspective view of a snap on cap for a dry fire hydrant, showing my new design;
FIG. 2 is a top view thereof;
FIG. 3 is a front view thereof, the rear being the same as the front;
FIG. 4 is a side view thereof, the opposite side being the same as the side shown; and,
FIG. 5 is a bottom view thereof.



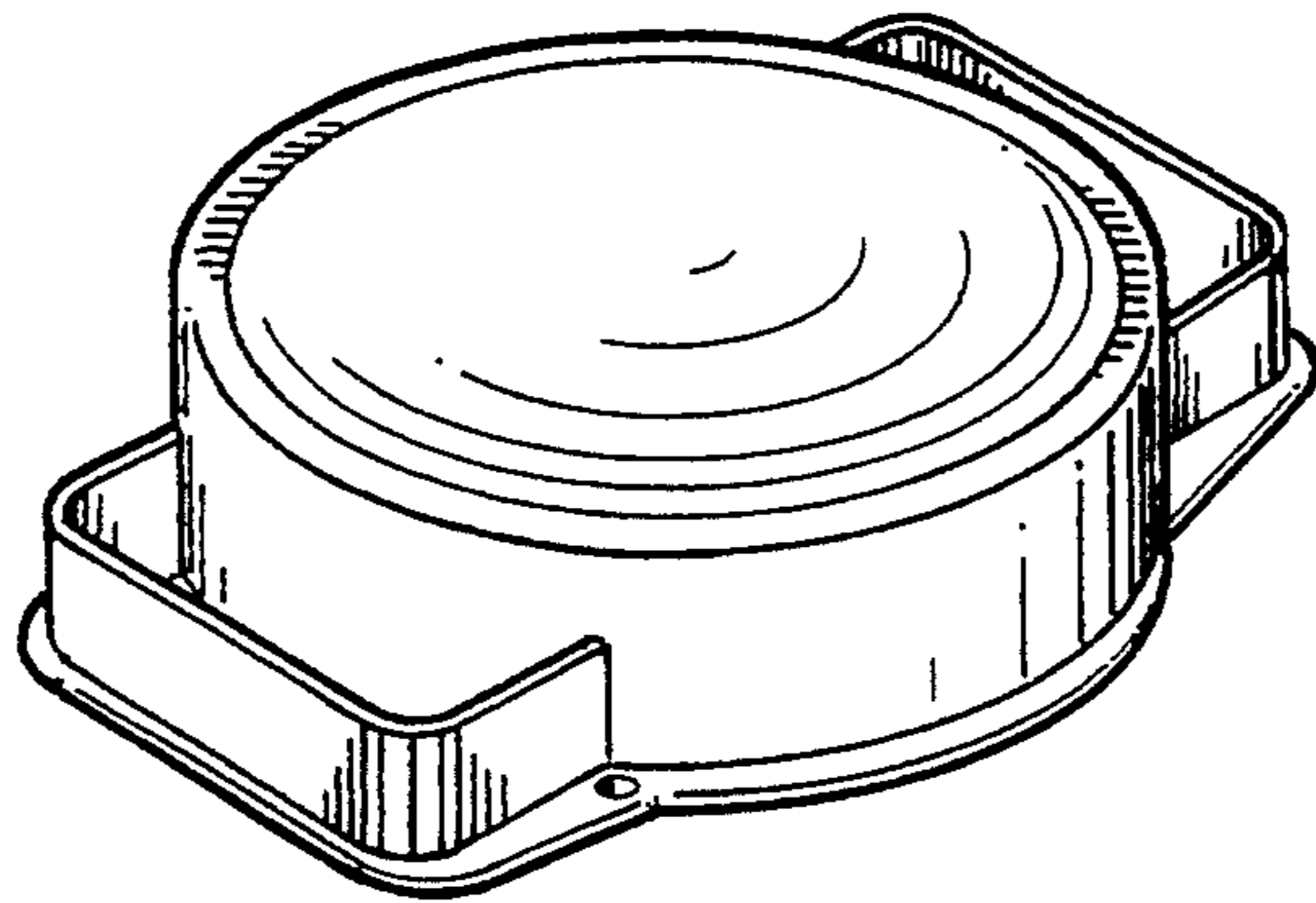


FIG. 1

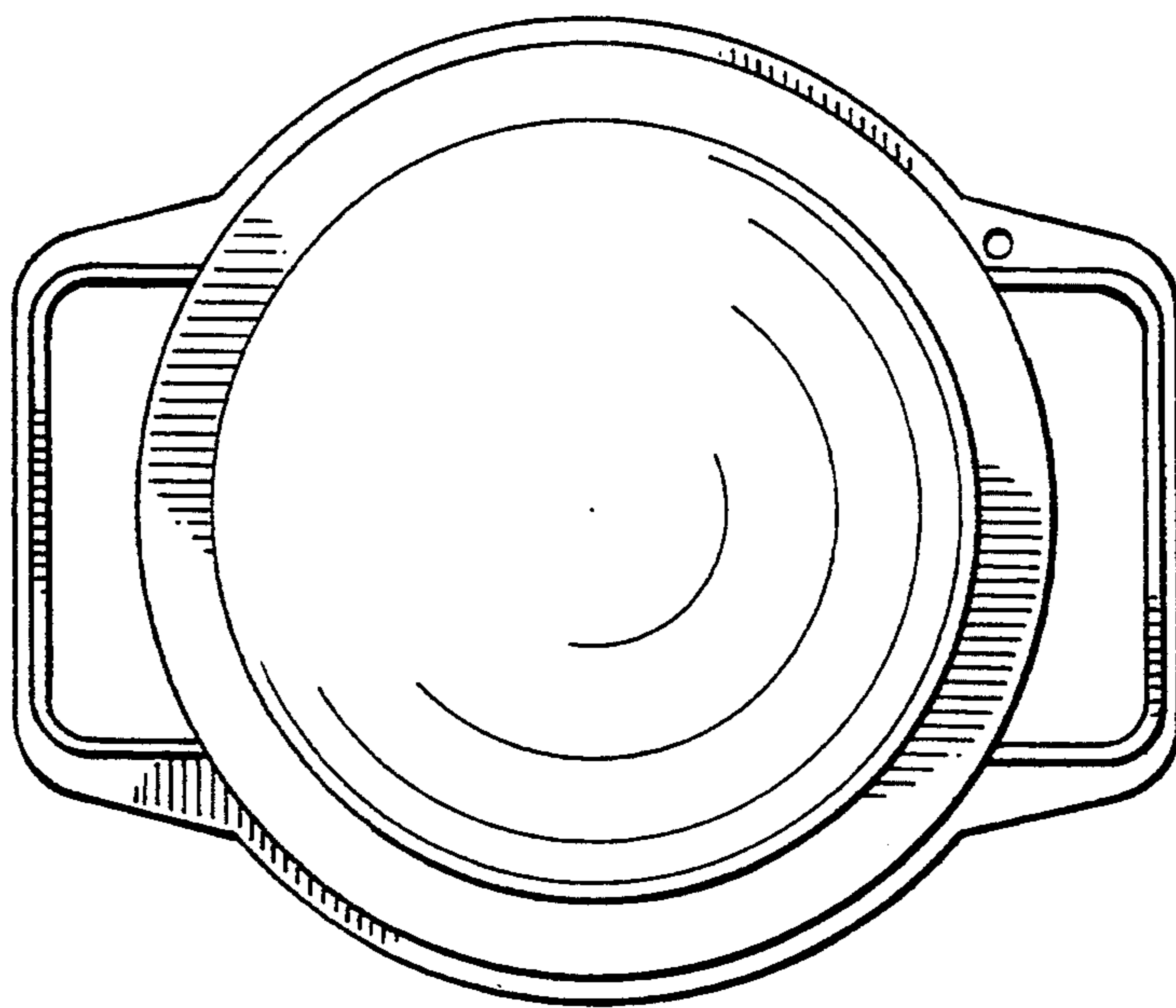


FIG. 2

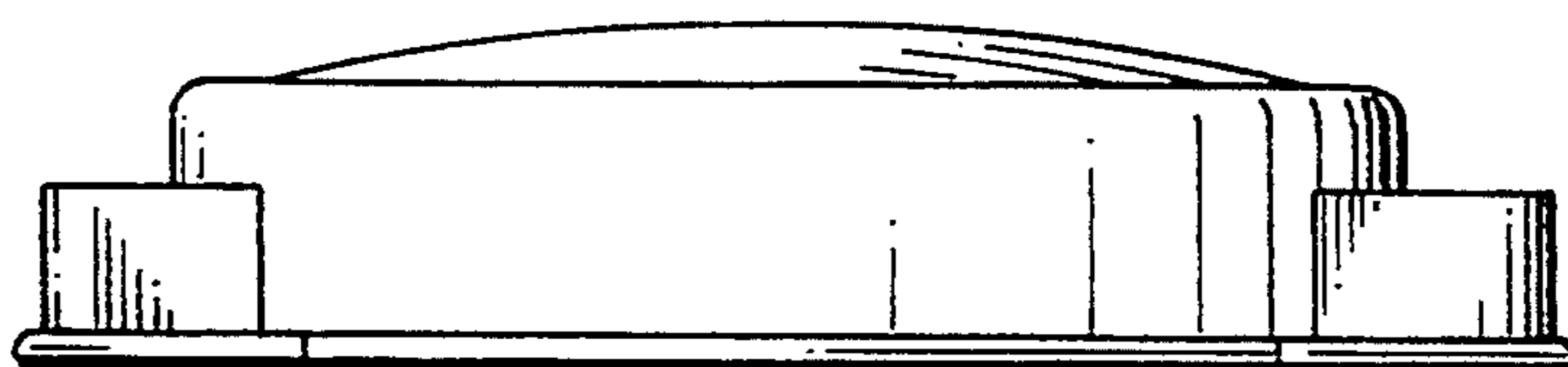


FIG. 3

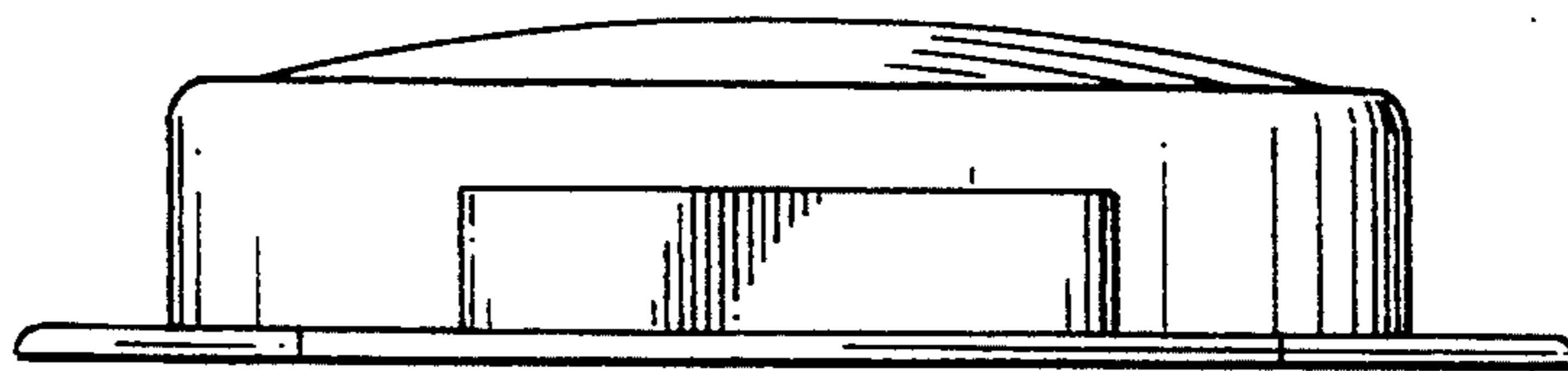


FIG. 4

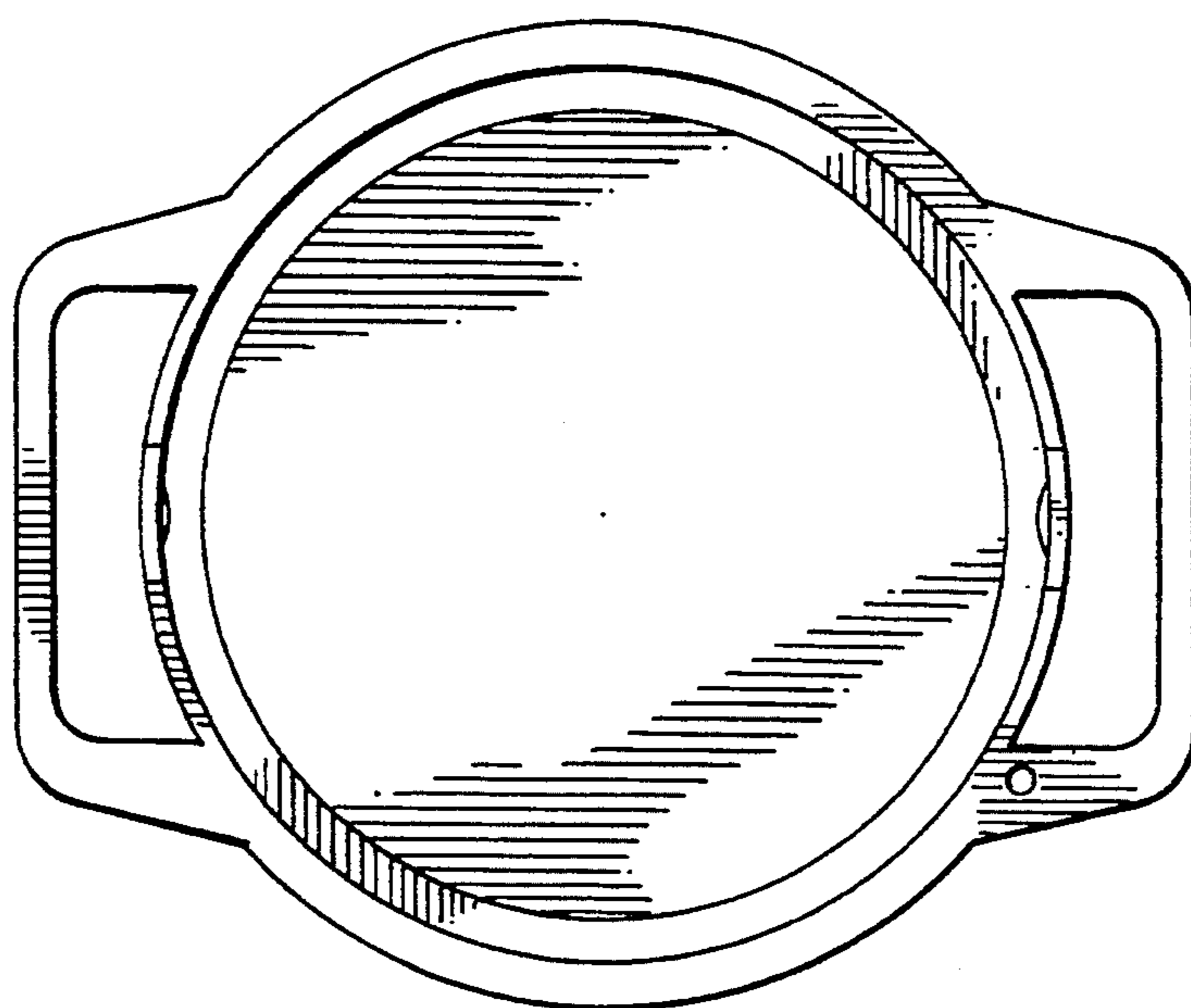


FIG. 5