



US00D353443S

United States Patent [19]

[11] Patent Number: Des. 353,443

Lopez

[45] Date of Patent: ** Dec. 13, 1994

[54] WATER FLOW DISTRIBUTOR

[76] Inventor: Robert Lopez, 1219 S. Bonview Ave., Ontario, Calif. 91761

[**] Term: 14 Years

[21] Appl. No.: 779,582

[22] Filed: Oct. 21, 1991

[52] U.S. Cl. D23/259

[58] Field of Search 137/56.1 A, 597, 883; D23/259, 262, 263

2,787,138	2/1957	Boyle	62/126
3,169,098	2/1965	Leavitt	176/87
3,400,732	9/1968	Larraben	137/883 X
3,864,938	2/1975	Hayes	62/504
4,256,140	3/1981	Swaroop	137/561 A
4,284,243	8/1981	Shaner	239/469
4,422,471	12/1983	Faccini	137/561 A
4,512,368	4/1985	Kaminaka et al.	137/561 A
4,688,599	8/1987	Zeman	137/561 A

Primary Examiner—James R. Largen
Attorney, Agent, or Firm—Robert N. Schlesinger

[57] CLAIM

The ornamental design for a water flow distributor, as shown and described.

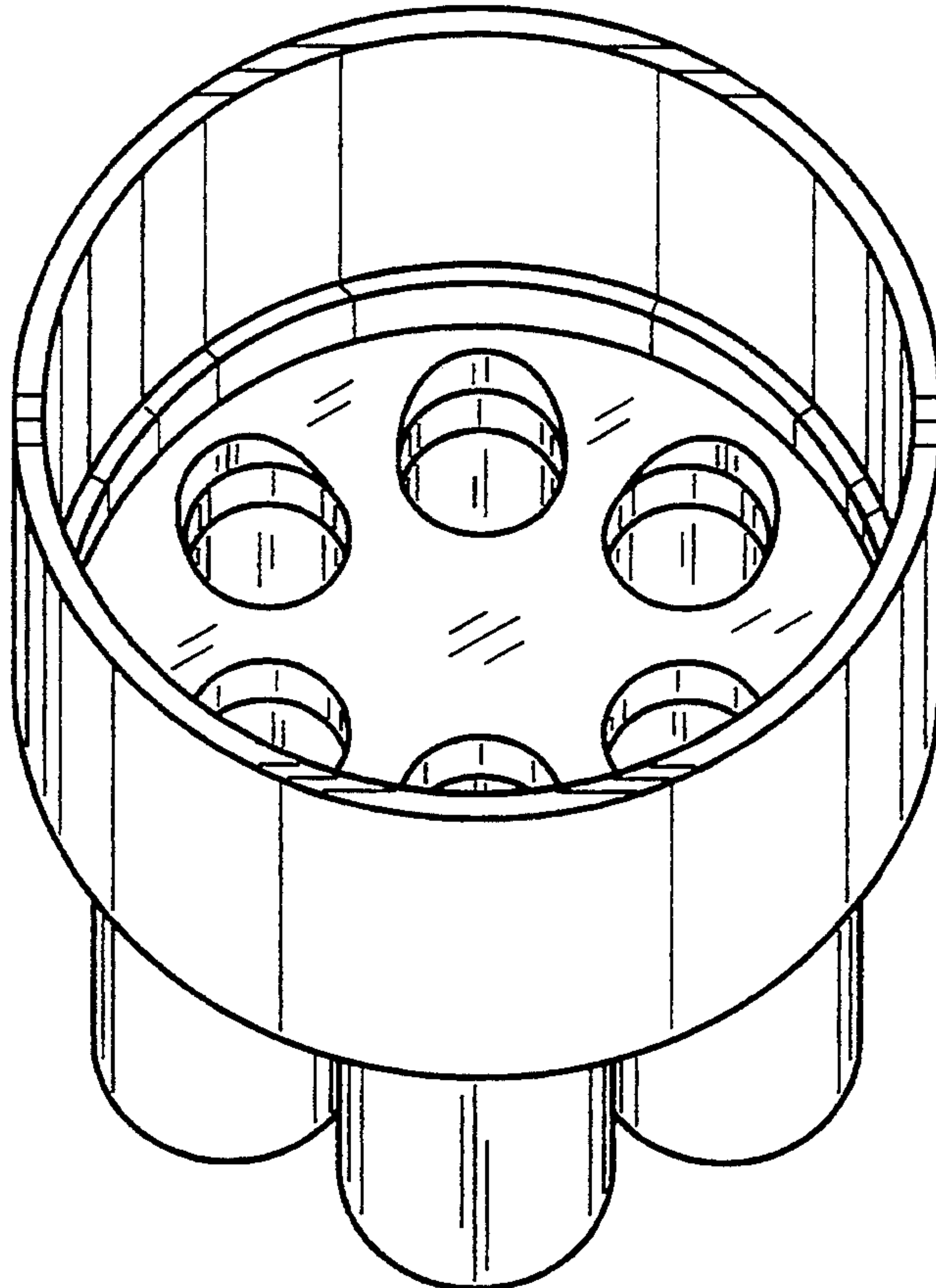
[56] References Cited

U.S. PATENT DOCUMENTS

D. 213,317	2/1969	Nelson	D23/259
D. 234,402	2/1975	Ogurchak	D23/263
D. 236,724	9/1975	Scheffler, Jr. et al.	D23/263
D. 240,427	7/1976	Ikonen et al.	D23/263
D. 241,756	10/1976	Gray	D23/259
D. 273,804	5/1984	Fucloep	D23/263
D. 290,259	6/1987	Van der Wyk	D23/263 X
D. 293,811	1/1988	Bennington et al.	D23/263
D. 305,147	12/1989	Samford	D23/263
2,598,961	6/1952	Andrus	137/883

DESCRIPTION

FIG. 1 is a bottom isometric view of a water flow manifold showing my new design;
FIG. 2 is a bottom plan view thereof;
FIG. 3 is a top isometric view thereof;
FIG. 4 is another top isometric view thereof;
FIG. 5 is a top plan view thereof; and,
FIG. 6 is a side elevational view thereof, the other sides being the same as the side shown.



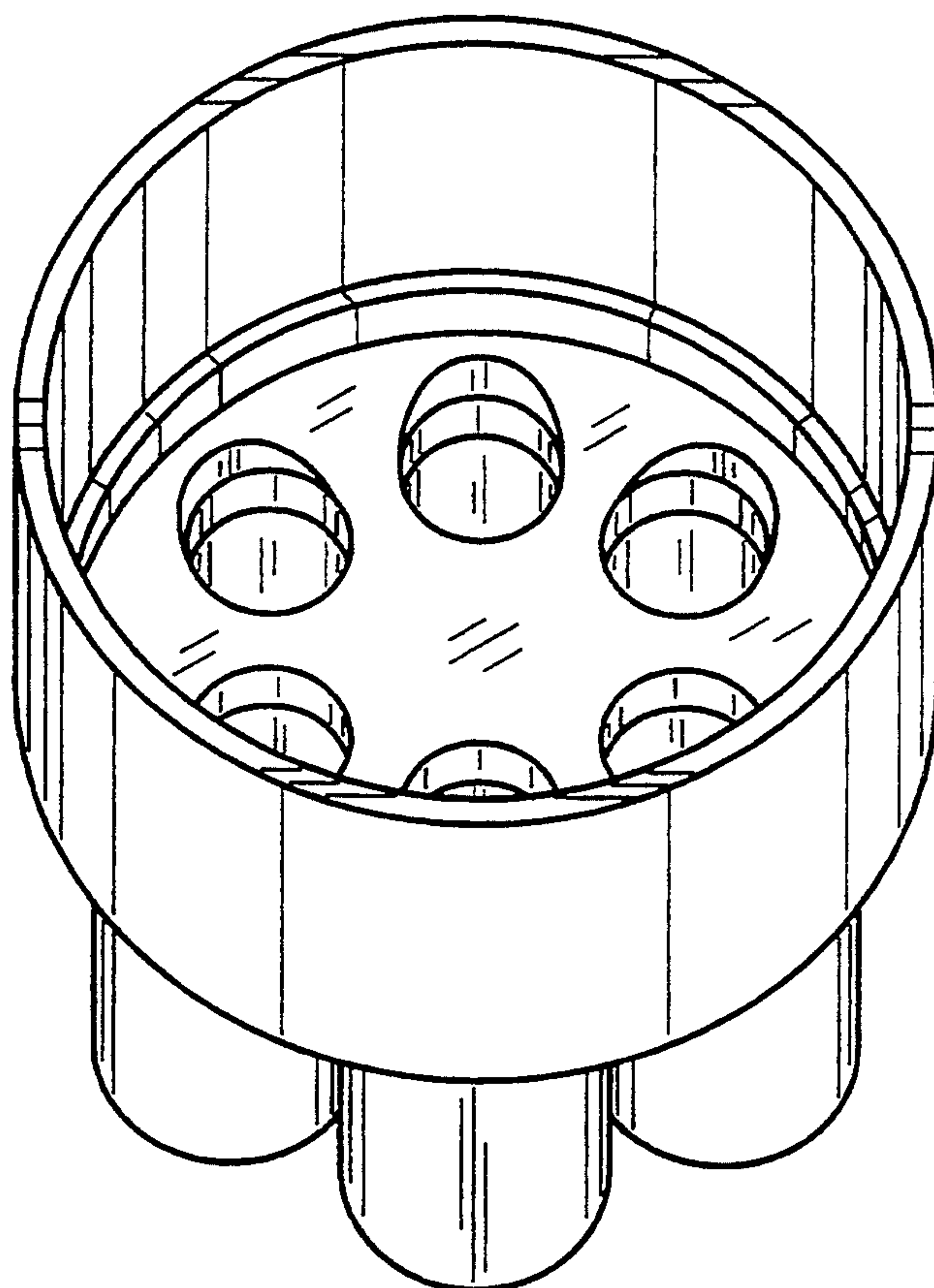


FIG. 1

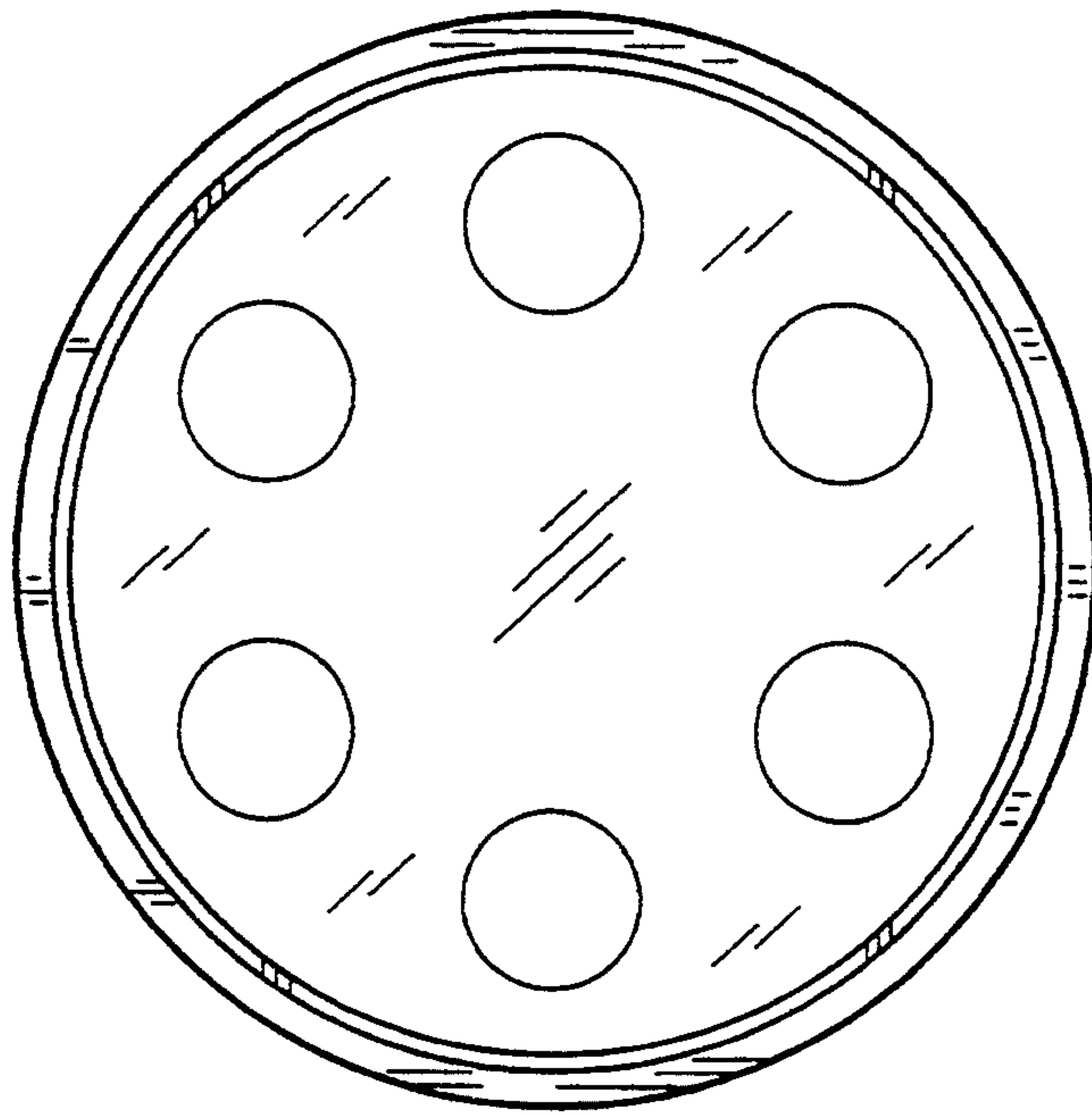


FIG. 2

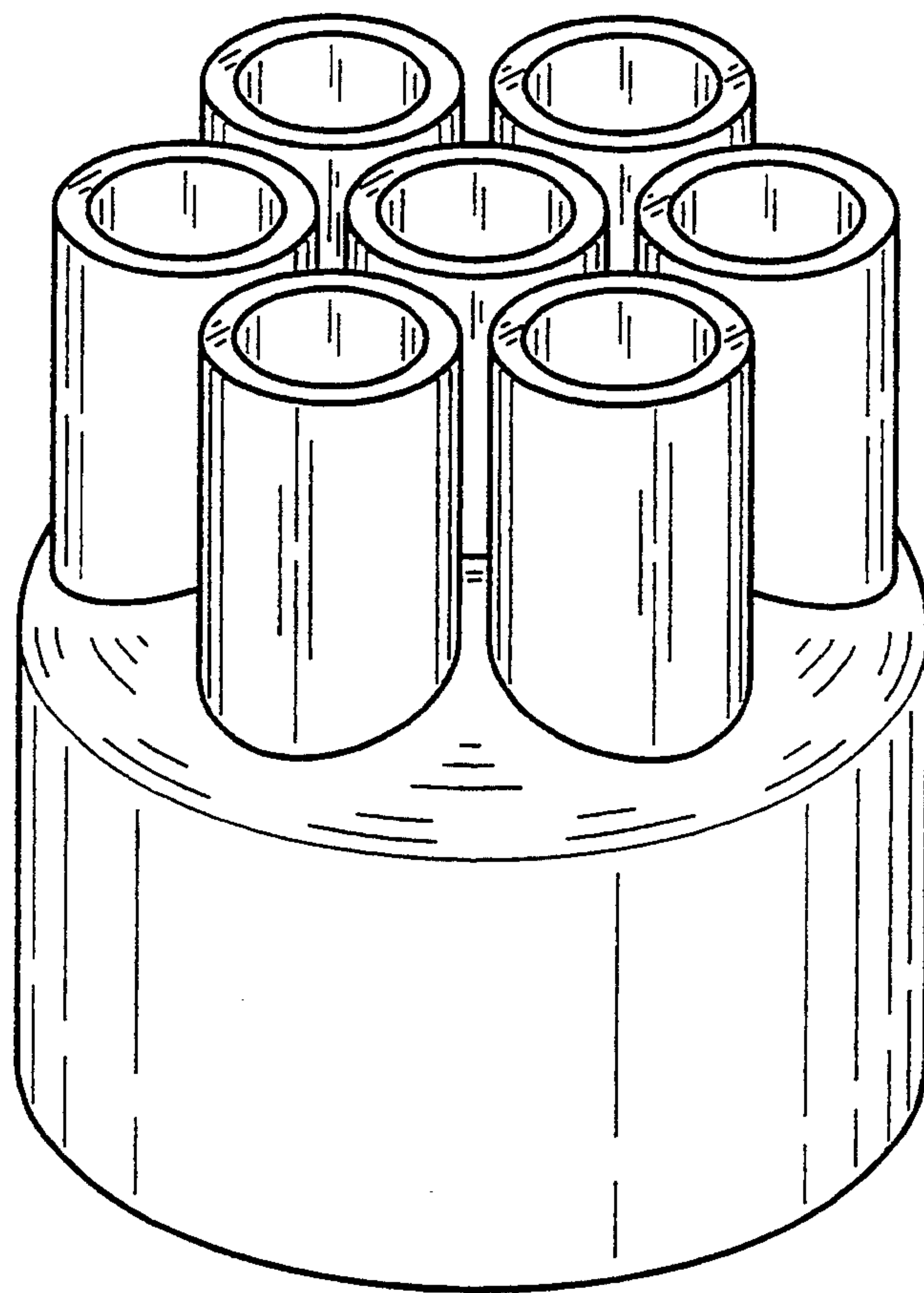


FIG. 3

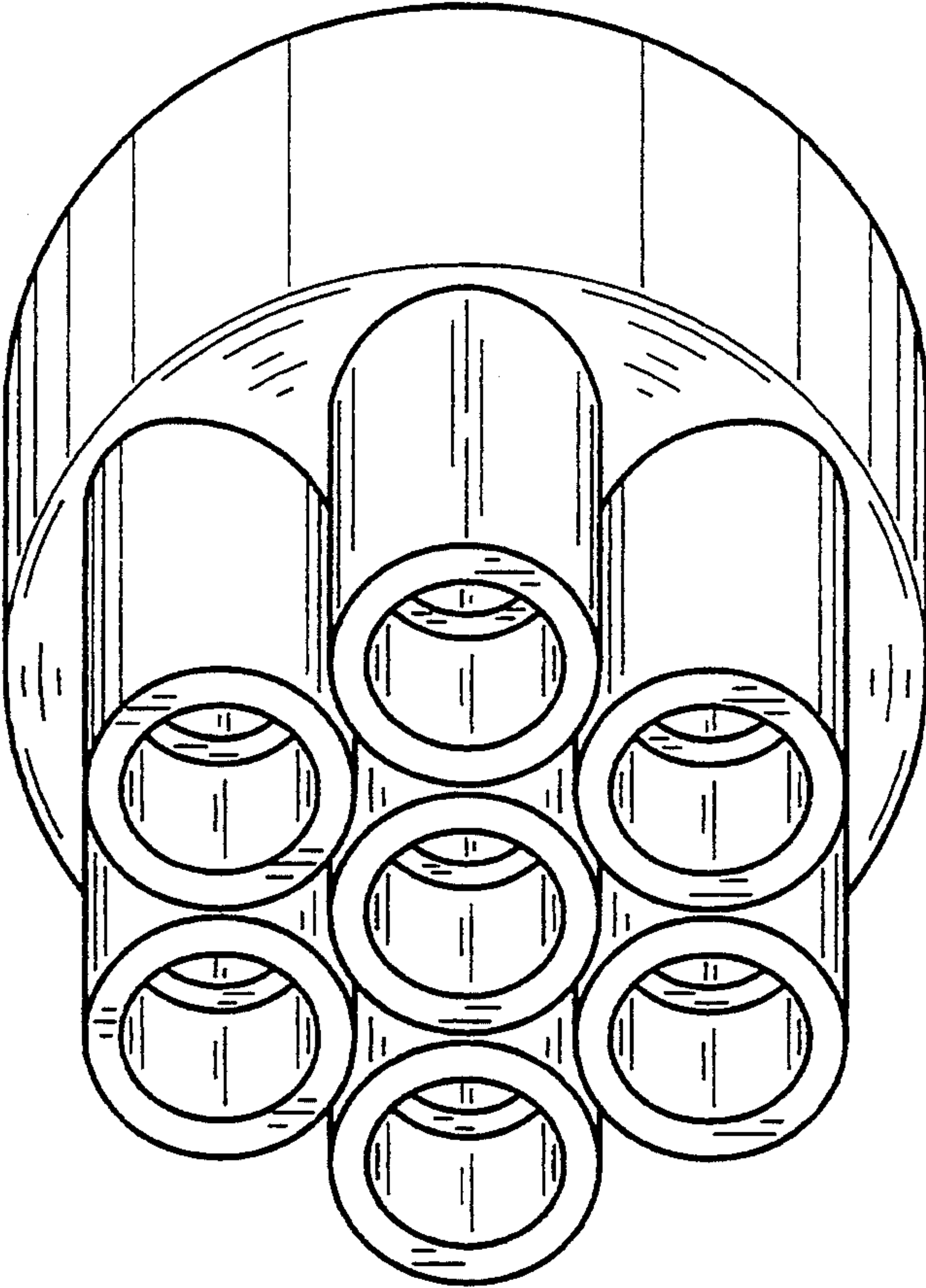


FIG. 4

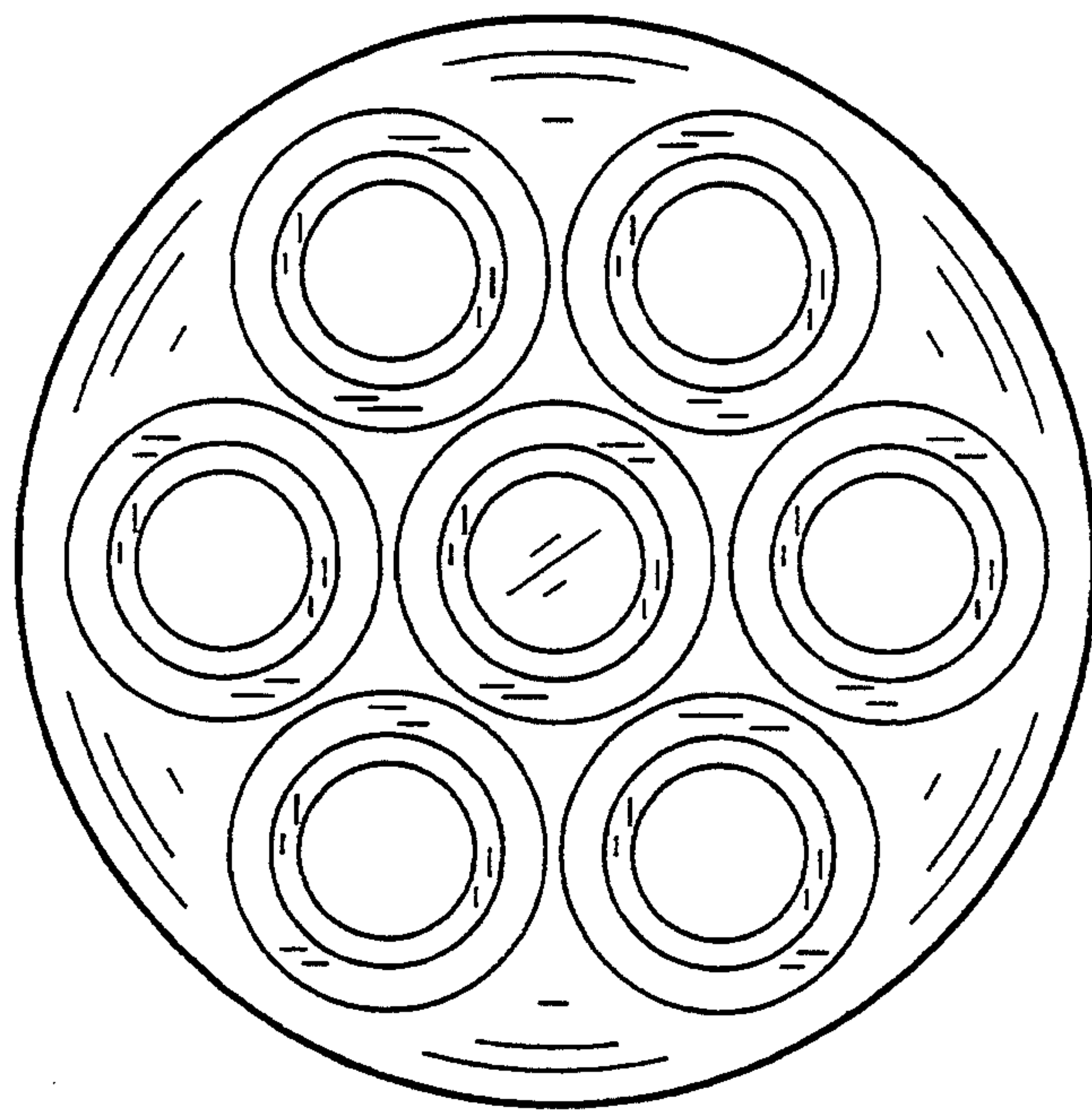


FIG. 5

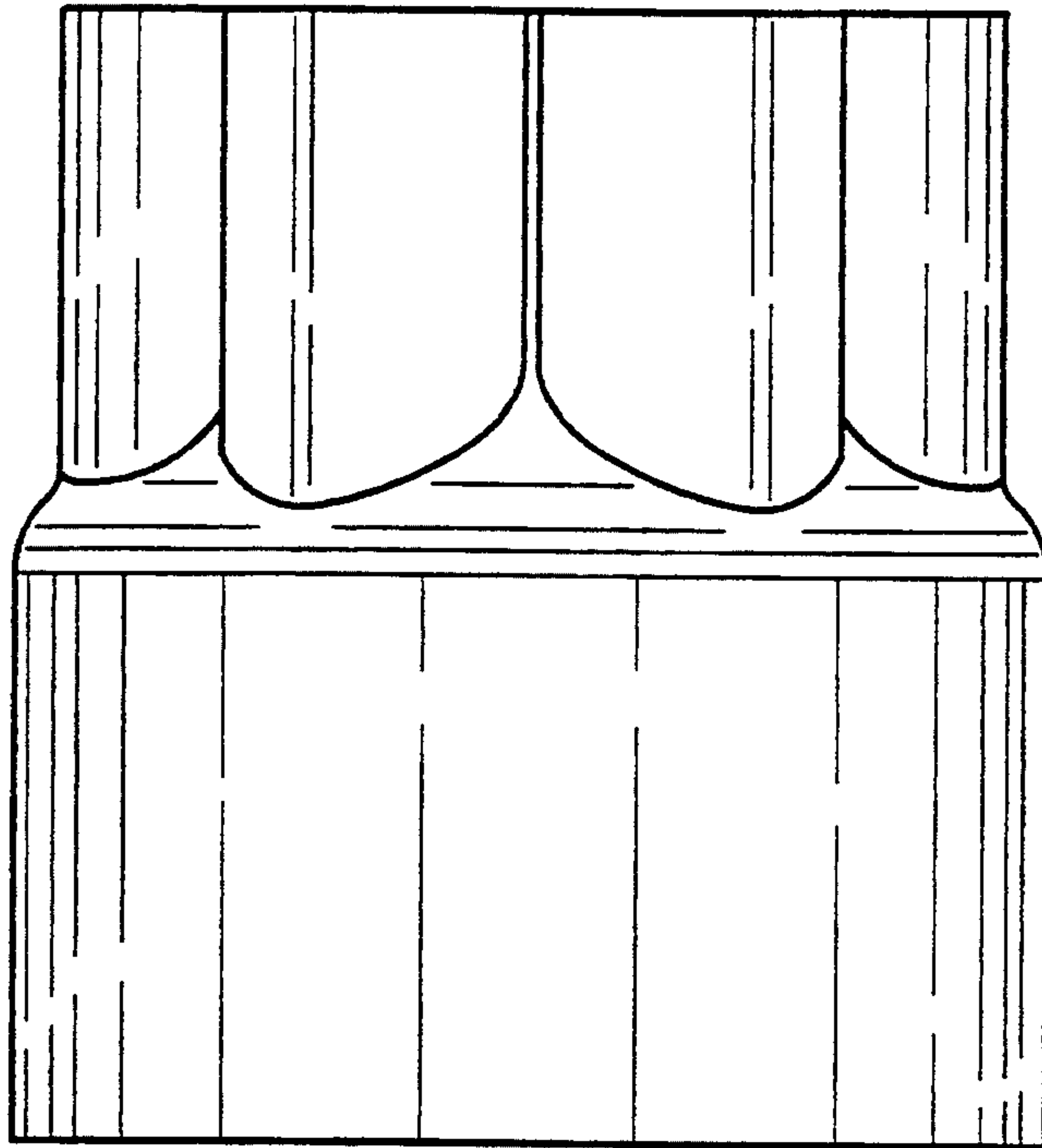


FIG. 6