



US00D353441S

# United States Patent [19]

[11] Patent Number: **Des. 353,441**

Haug et al.

[45] Date of Patent: **\*\* Dec. 13, 1994**

[54] FAUCET

[75] Inventors: **Andreas Haug; Thomas Schoenherr,**  
both of Stuttgart, Germany

[73] Assignee: **Masco GmbH,** Germany

[\*\*] Term: **14 Years**

[21] Appl. No.: **11,955**

[22] Filed: **Aug. 18, 1993**

[30] **Foreign Application Priority Data**

Feb. 19, 1993 [DE] Germany ..... 9301486

Jul. 17, 1993 [DE] Germany ..... 9305706

[52] U.S. Cl. .... **D23/238**

[58] Field of Search ..... 4/675-678;  
137/625.4, 801; D23/238-243

[56] **References Cited**

**U.S. PATENT DOCUMENTS**

D. 114,200	4/1939	Sedlon et al. ....	D23/238
D. 293,599	1/1988	Bergmann et al. ....	D23/238
D. 293,816	1/1988	Bergmann et al. ....	D23/238
D. 312,118	11/1990	Son .....	D23/238
D. 315,194	3/1991	Haug et al. ....	D23/238
D. 347,264	5/1994	Gottwald .....	D23/238
D. 347,265	5/1994	Gottwald .....	D23/239
4,750,519	6/1988	Chao-Chun .....	137/625.4 X
5,148,551	9/1992	Humpert et al. ....	4/677

**OTHER PUBLICATIONS**

Hans Grohe GmbH & Co. KG Catalog, "Klassische Schönheit, Mondial und Atoll von Hans Grohe.", Form-Nr. 84 000 159, 06/93/50.

Hans Grohe GmbH & Co KG Catalog, "Metropol. Das Ergonomische Mischerprogramm", Form-Nr. 84 000 177 7/93/200.

Delta Faucet Company, Single page, "We Still Build 'Em Like We Used To, Only Better", 1983.

Ceralux Brochure, pp. 2-19 to 2-22.

*Primary Examiner*—James R. Largen

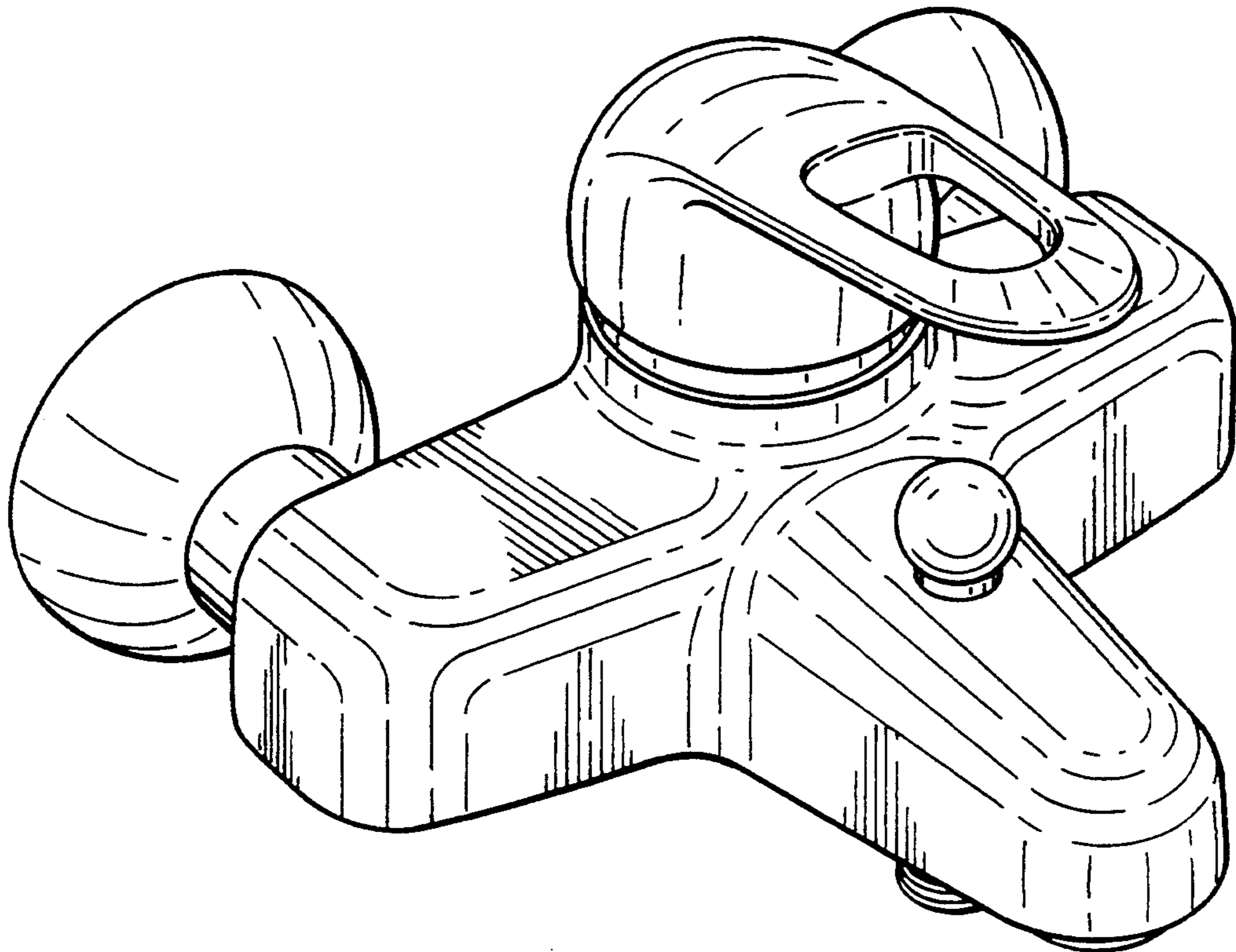
*Attorney, Agent, or Firm*—Eckert, Seamans, Cherin & Mellott

[57] **CLAIM**

The ornamental design for a faucet, as shown and described.

**DESCRIPTION**

FIG. 1 is a perspective view taken from the top, front and left side of a faucet showing our new design; FIG. 2 is a top plan view thereof; FIG. 3 is a right side elevational view thereof; FIG. 4 is a front elevational view thereof; FIG. 5 is a rear elevational view thereof; FIG. 6 is a left side elevational view thereof; and, FIG. 7 is a bottom plan view thereof.



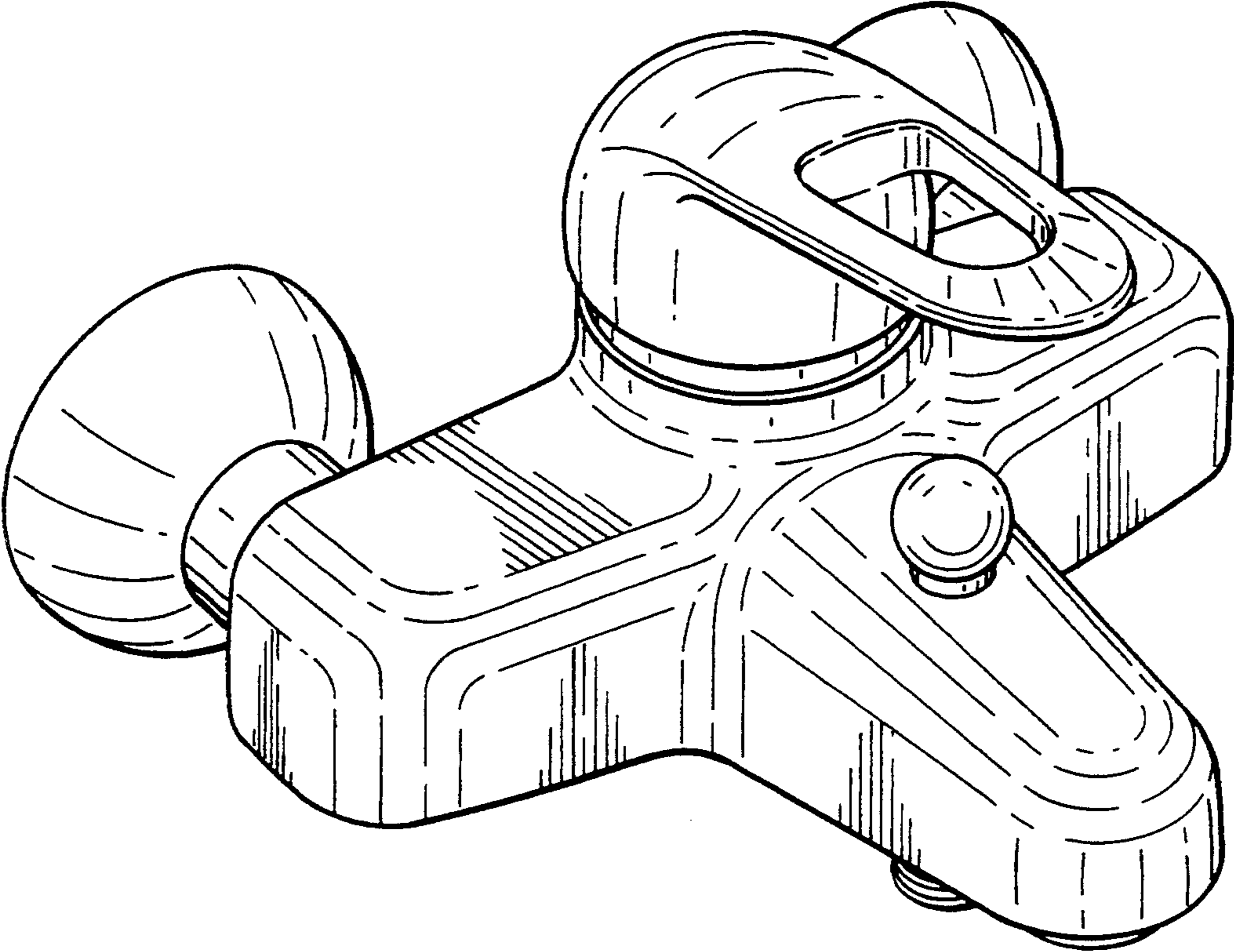


Fig. 1

Fig. 2

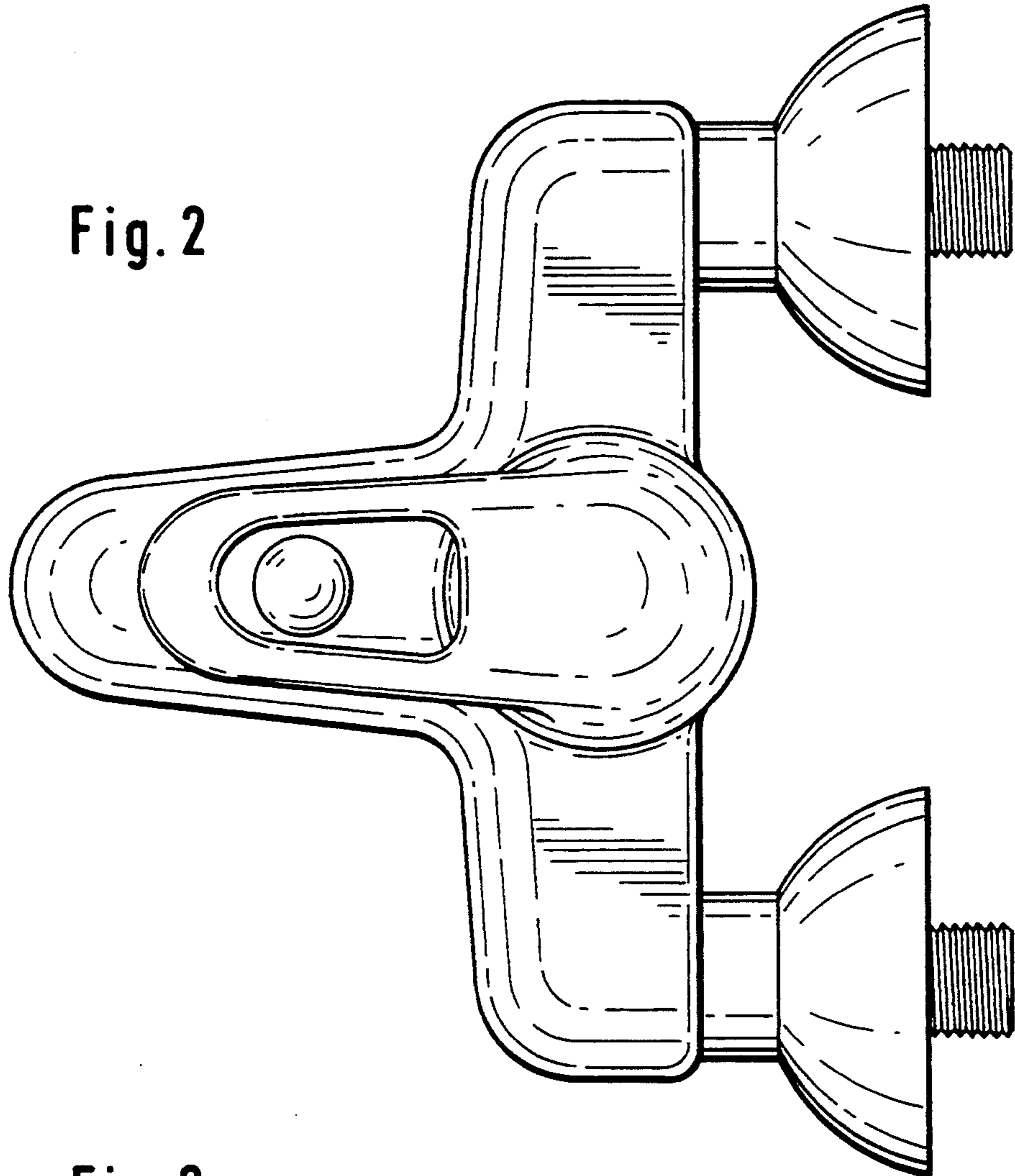


Fig. 3

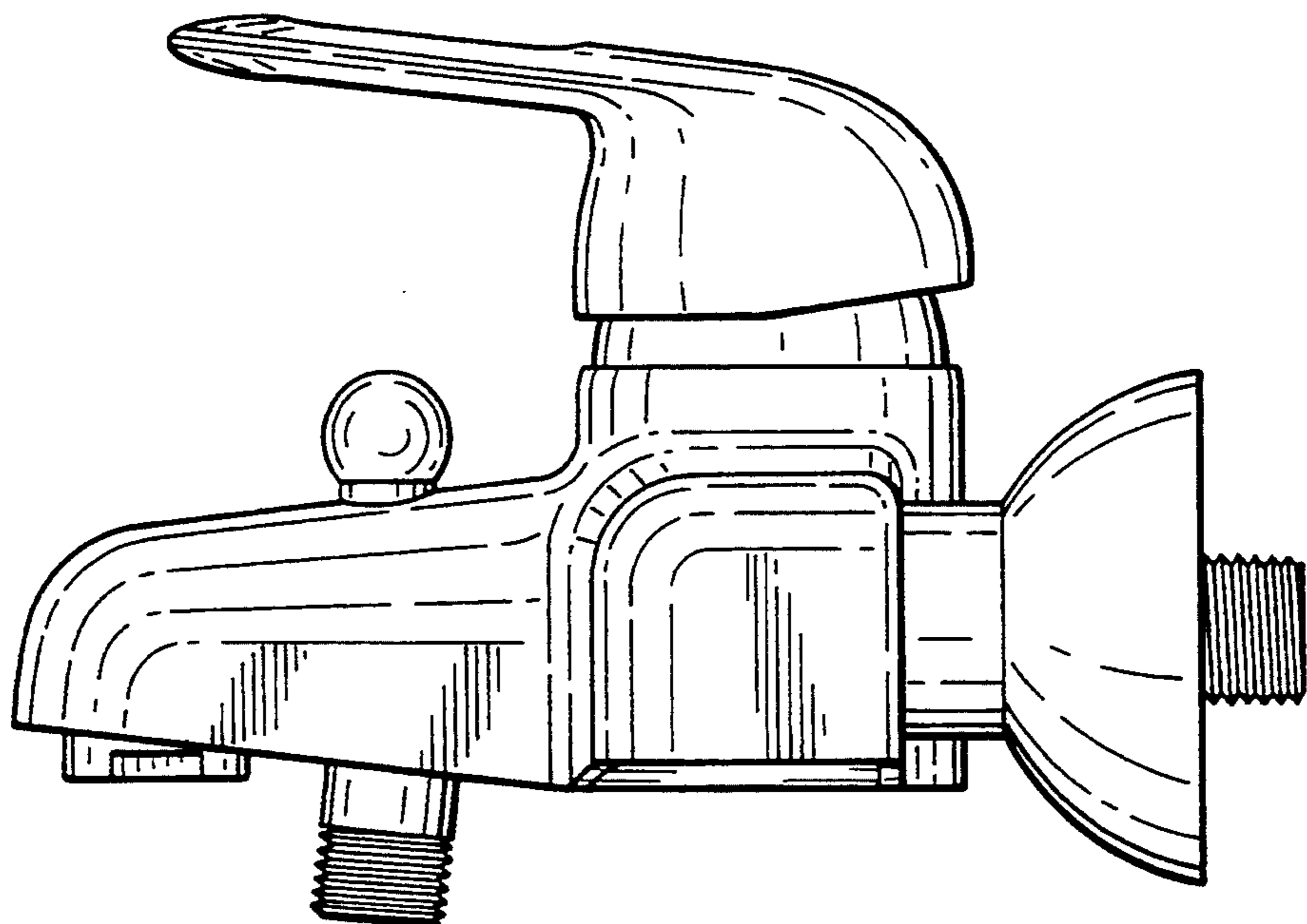


Fig. 4

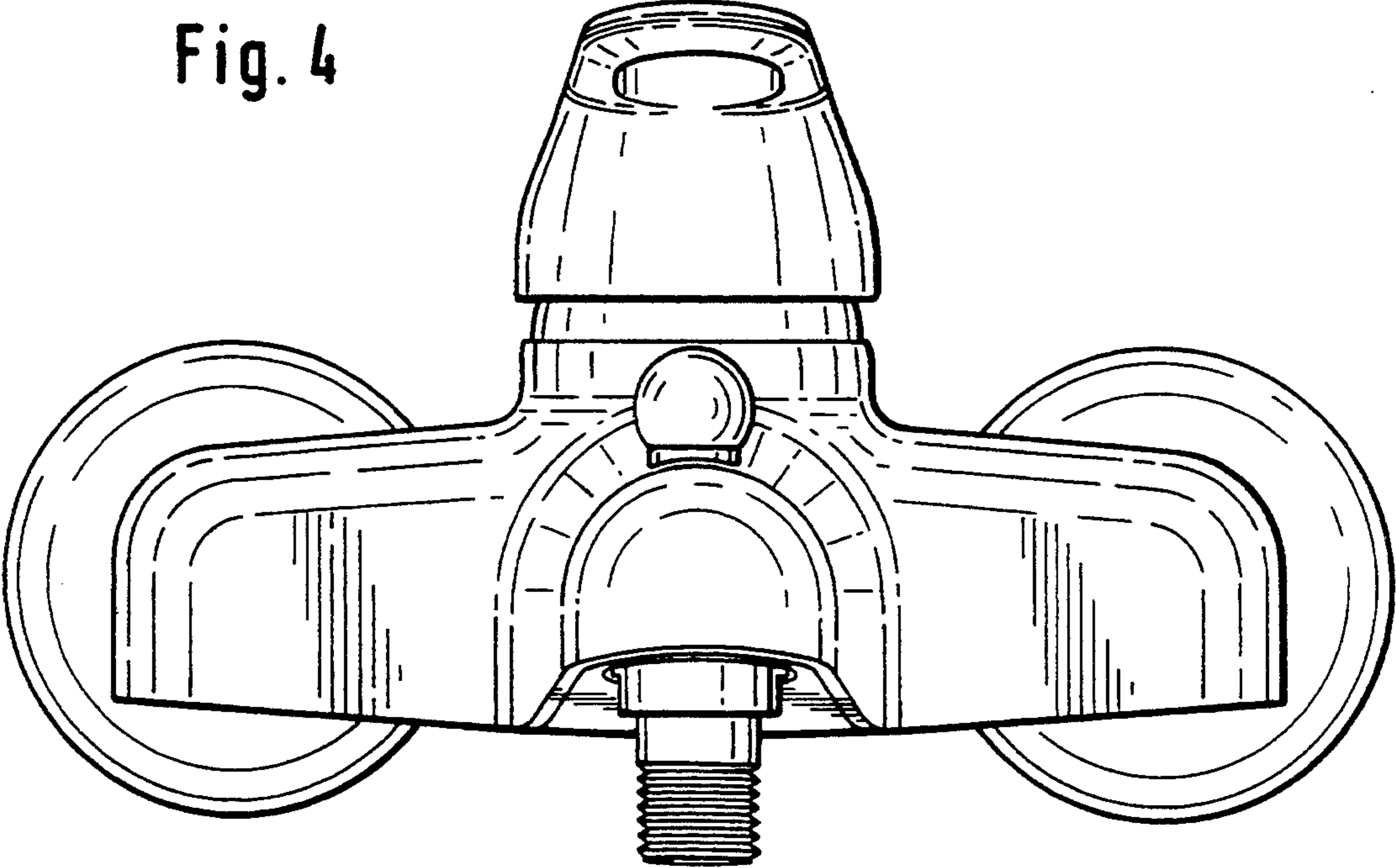
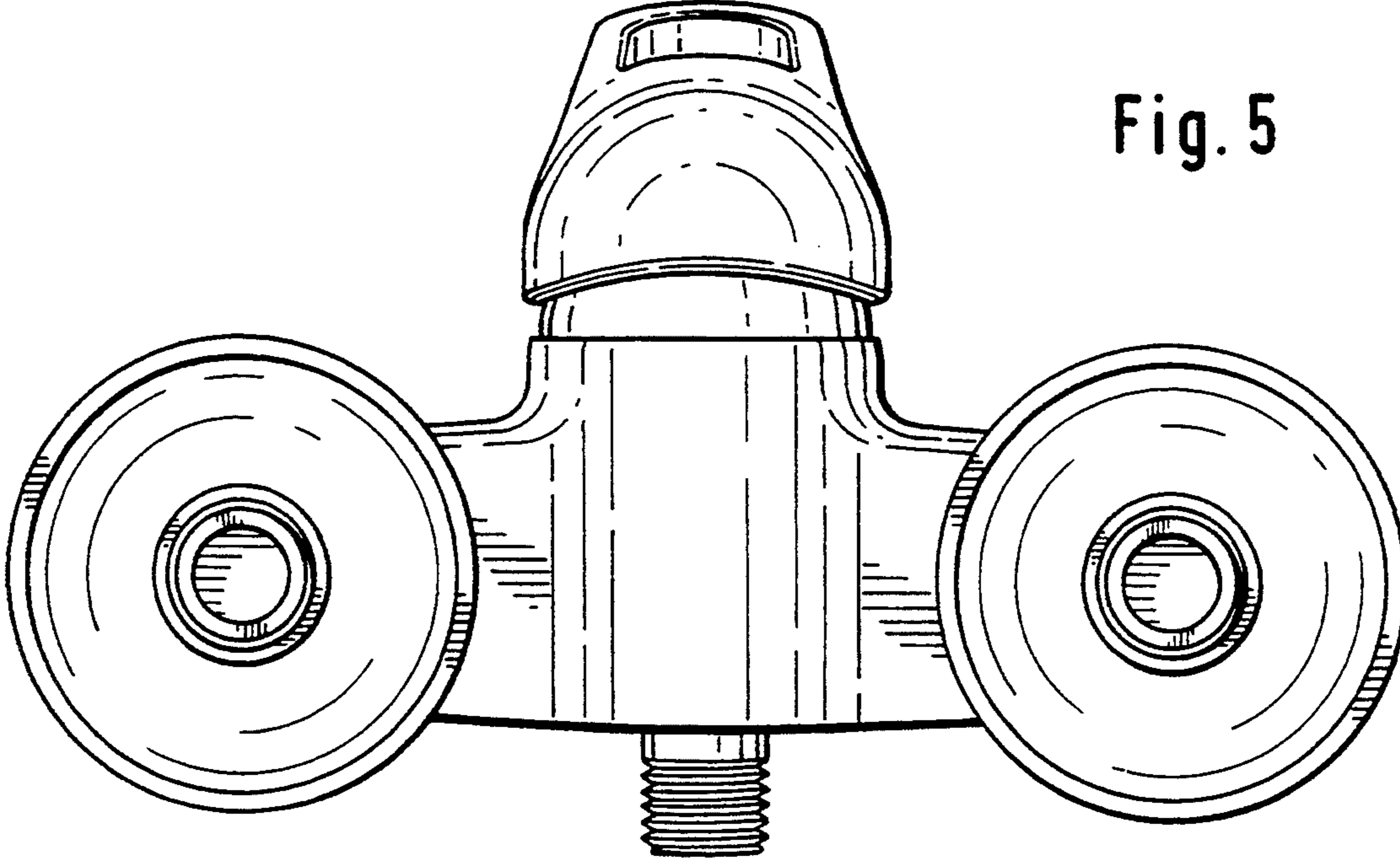


Fig. 5



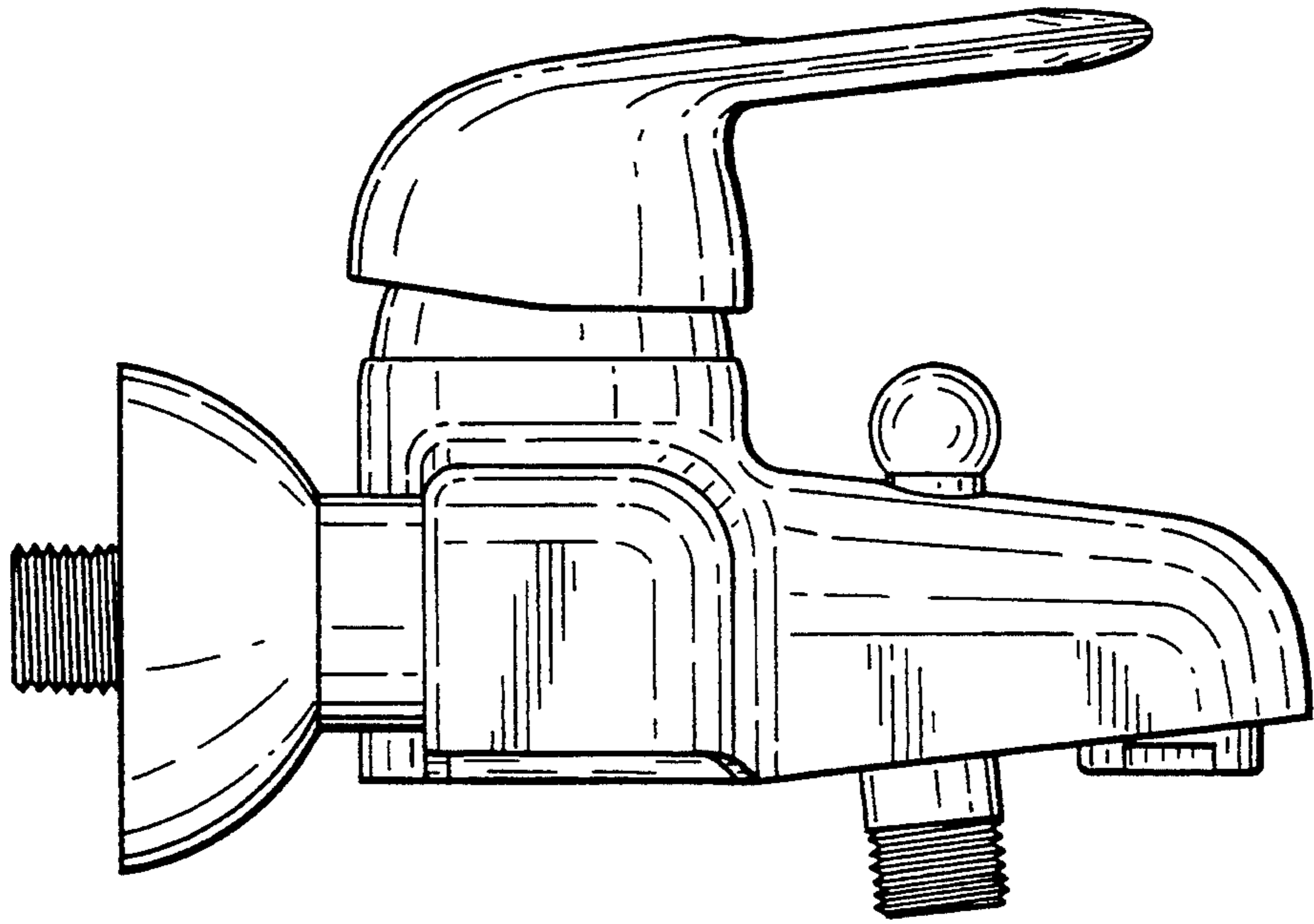


Fig. 6

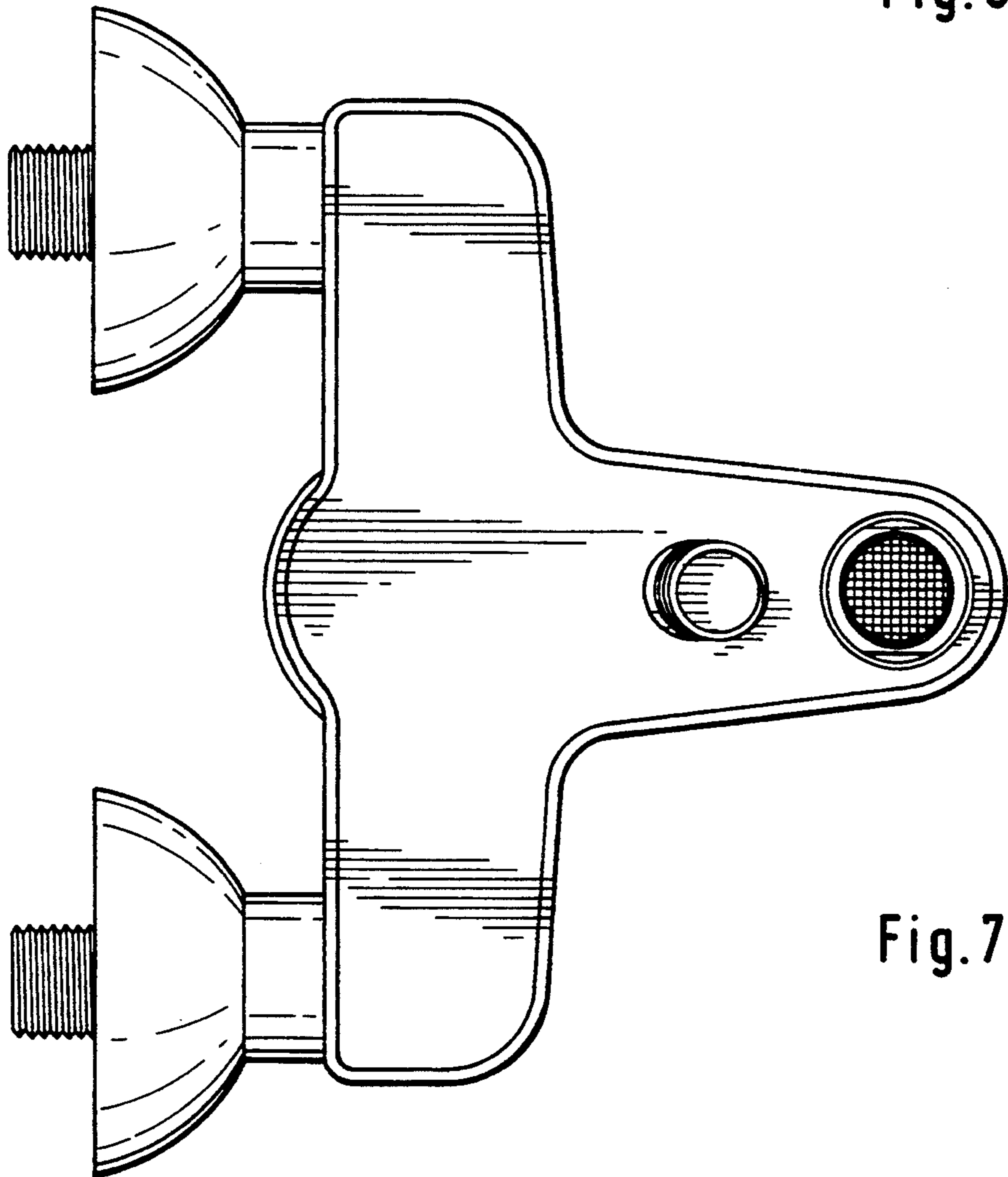


Fig. 7