



US00D353429S

United States Patent [19]

[11] Patent Number: Des. 353,429

Gay et al.

[45] Date of Patent: ** Dec. 13, 1994

[54] CHILD'S IN-LINE SKATE

[76] Inventors: **Howard Gay**, 58 Lake Shore Drive Extension, West Brookfield, Mass. 01585; **Brian Yung**, 8-12 Ma Kok Street, Sun Yung Ind. Bldg., 2/A, Tsuen Wan, N.T., Kln., Hong kong, China

D. 289,074	3/1987	Klamer	D21/226
D. 315,940	4/1991	Wehmeyer	.	
D. 333,171	2/1993	Gertler	D21/226
3,963,252	6/1976	Carlson	280/11.22
4,553,767	11/1985	Robjent et al.	.	
4,932,676	6/1990	Klamer	.	
5,224,718	7/1993	Gertler	280/11.19

[**] Term: 14 Years

Primary Examiner—Bernard Ansher
Assistant Examiner—R. Barkai
Attorney, Agent, or Firm—Wolf, Greenfield & Sacks

[21] Appl. No.: 743

[57] CLAIM

[22] Filed: Oct. 23, 1992

The ornamental design for a child's in-line skate, as shown.

[52] U.S. Cl. D21/226

[58] Field of Search D2/275, 276; 280/11.22, 280/11.24, 11.26, 78; 36/115; D21/224-226

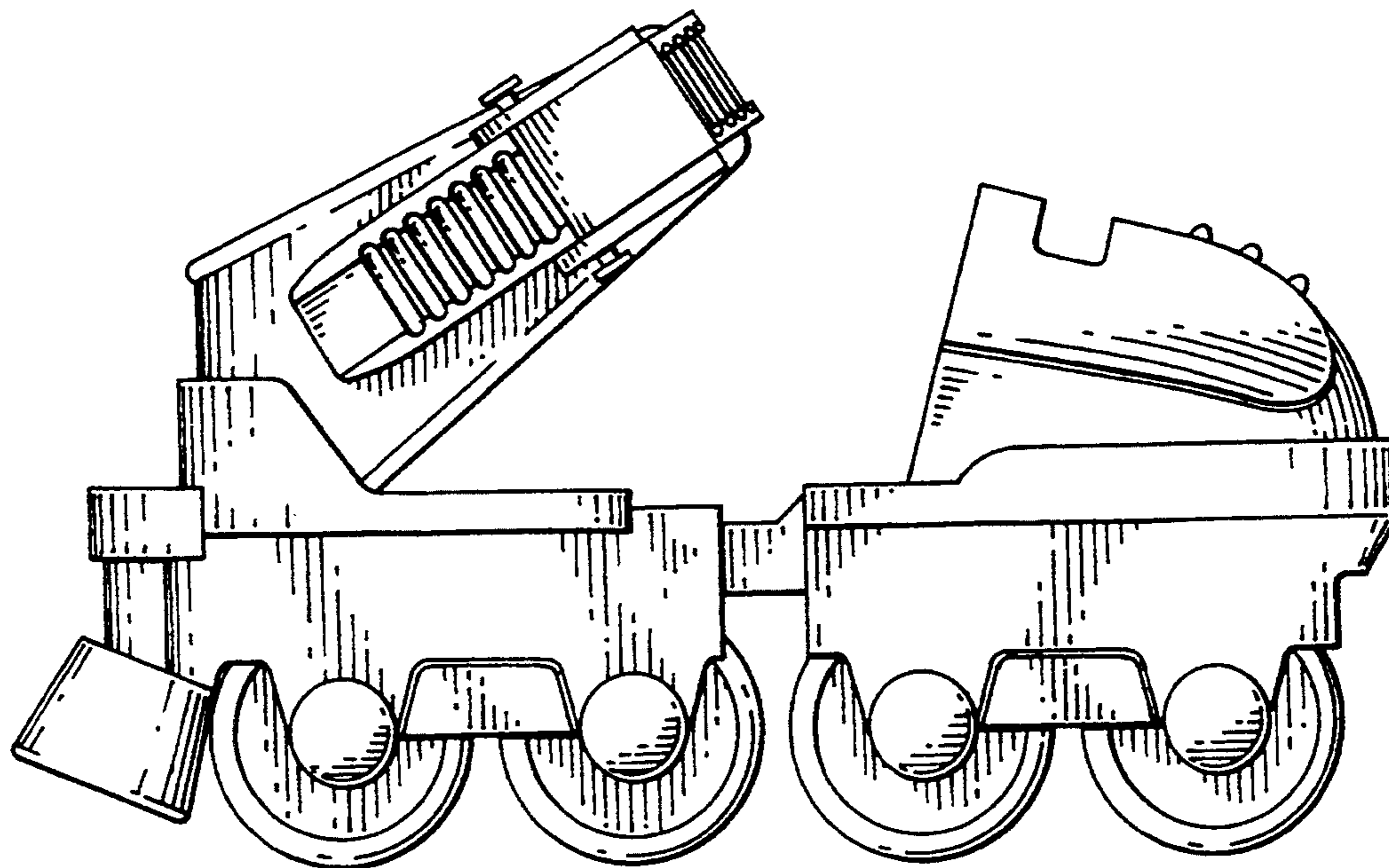
DESCRIPTION

[56] References Cited

U.S. PATENT DOCUMENTS

D. 282,095	1/1986	Robjent et al.	.	
D. 287,990	1/1987	Klamer	.	
D. 288,109	2/1987	Klamer	.	
D. 288,225	2/1987	Klamer	D21/226

FIG. 1 is a left side perspective of a child's in-line skate embodying my new design;
FIG. 2 is a bottom plan view thereof;
FIG. 3 is a top plan view thereof;
FIG. 4 is a front plan view thereof;
FIG. 5 is a rear plan view thereof; and,
FIG. 6 is a right side plan view thereof.



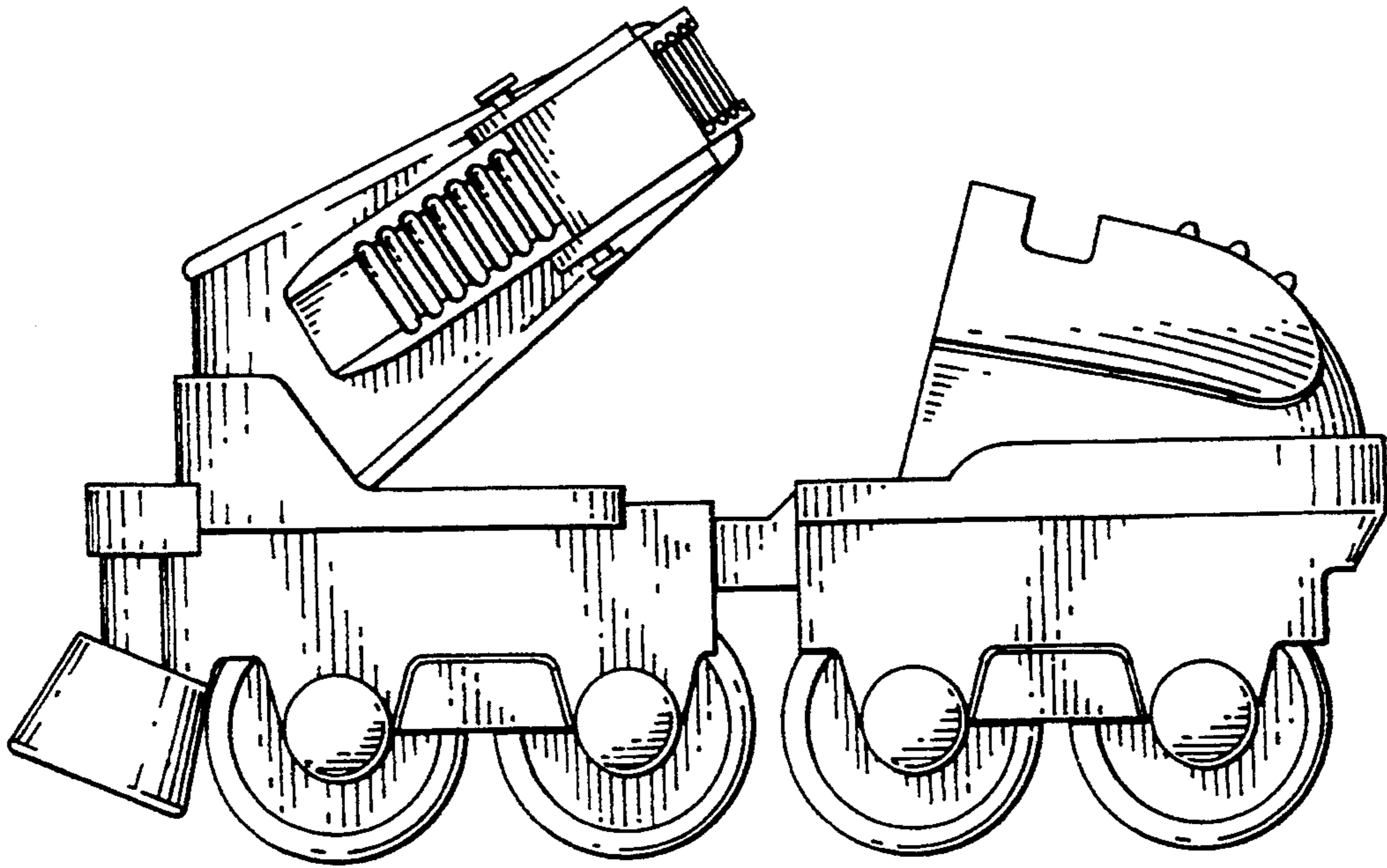


FIG. 1

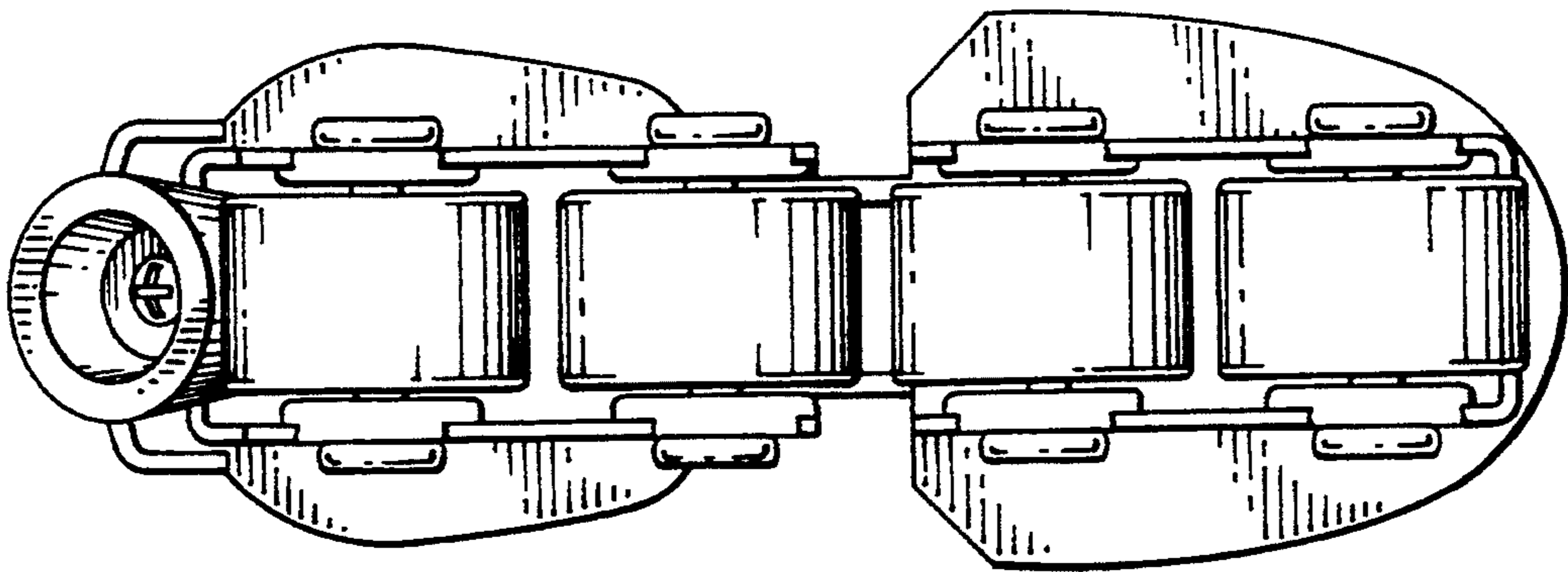


FIG. 2

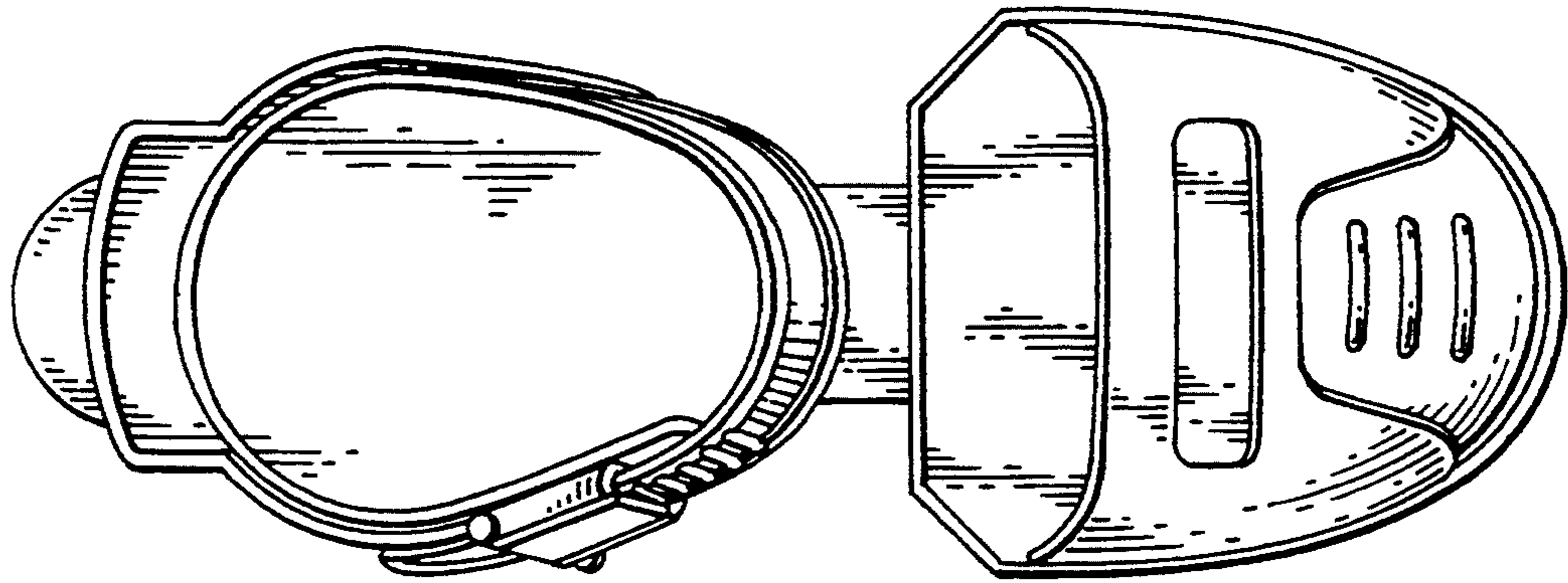


FIG. 3

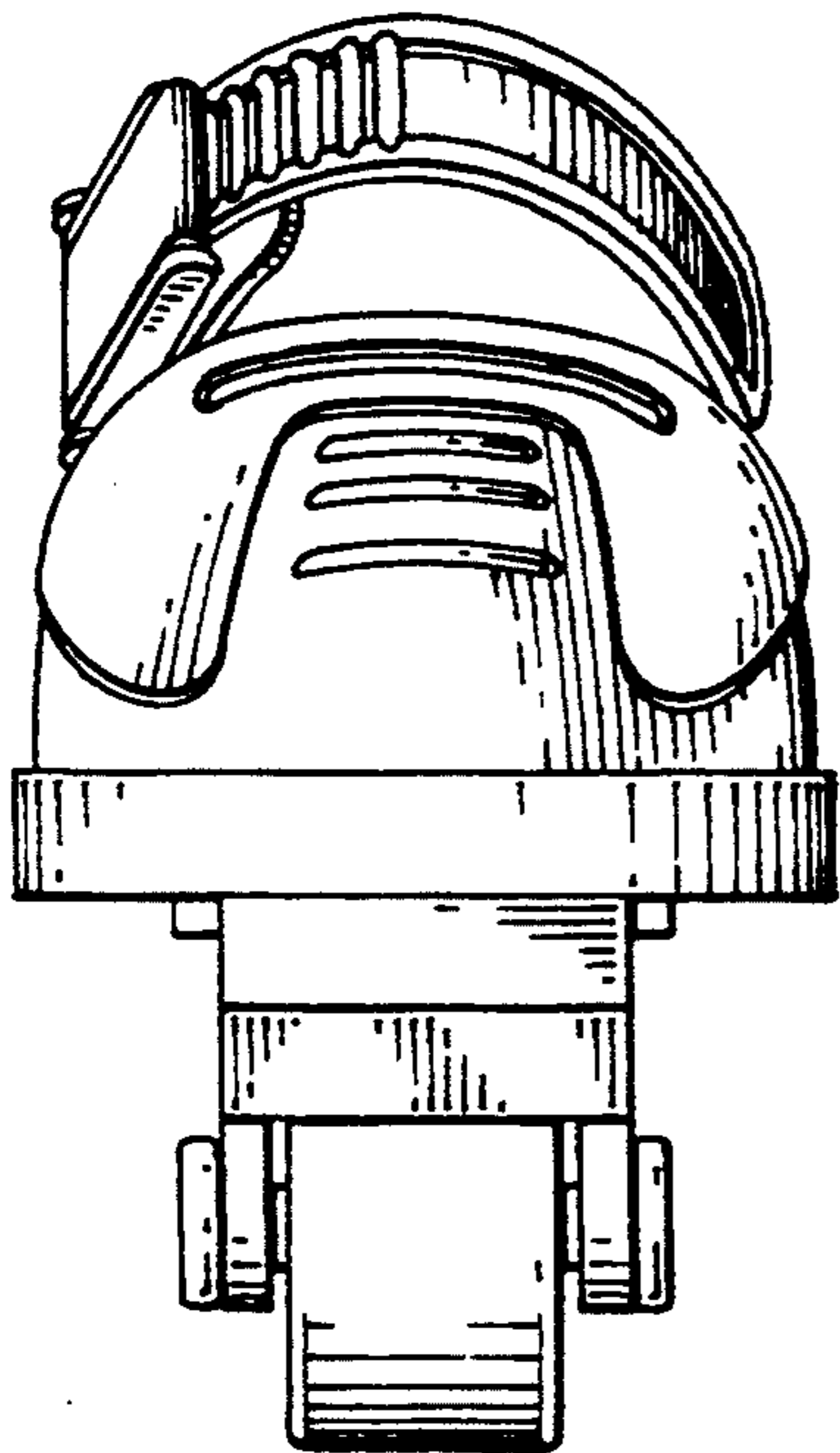


FIG. 4

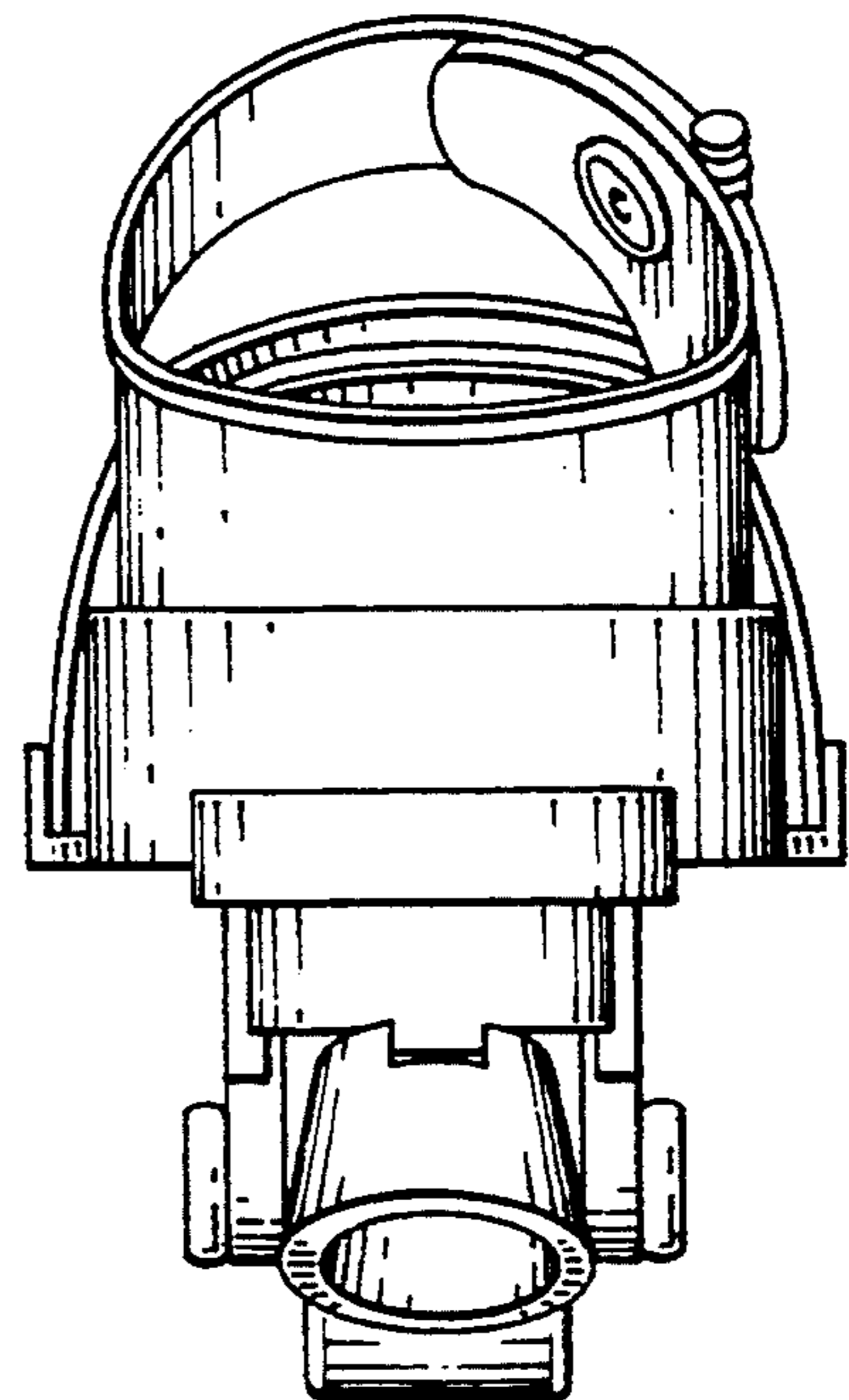


FIG. 5

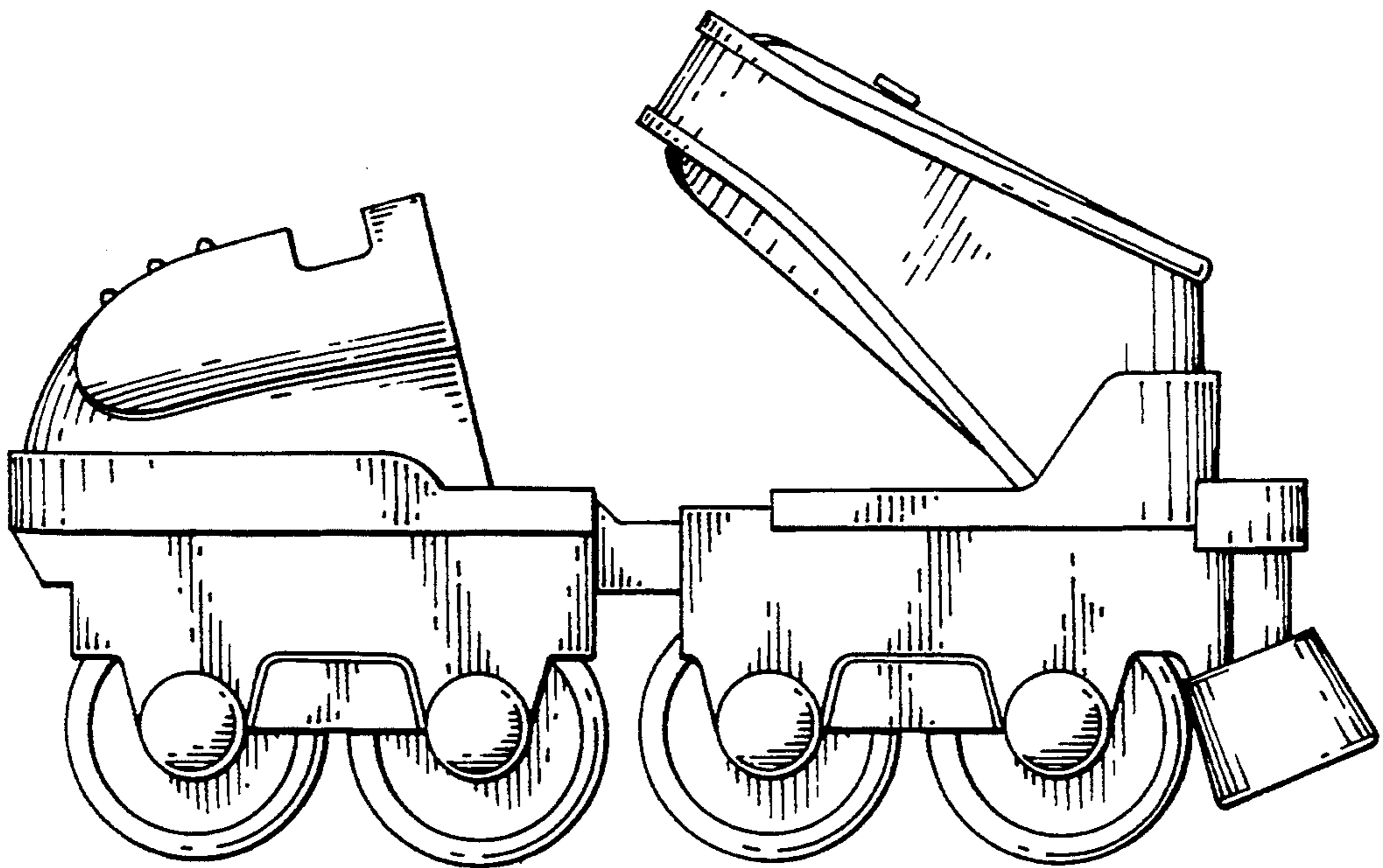


FIG. 6