



US00D353424S

United States Patent [19]

[11] Patent Number: **Des. 353,424**

Way

[45] Date of Patent: **** Dec. 13, 1994**

- [54] **HANDBALL REBOUND BOARD**
- [76] Inventor: **Philip G. Way**, 135 Parraweena Road, Miranda NSW 2229, Australia
- [**] Term: **14 Years**
- [21] Appl. No.: **848,761**
- [22] Filed: **Mar. 10, 1992**
- [52] U.S. Cl. **D21/199**
- [58] Field of Search 273/29 A, 29 R, 30, 273/181 R, 181 F, 181 K; 52/404; D21/191, 199

4,489,941 12/1984 Shieh 273/181 F X
 4,650,189 3/1987 Rajacich 273/26 A

Primary Examiner—Melvin B. Feifer
Assistant Examiner—M. Siegel
Attorney, Agent, or Firm—Townsend and Townsend Khourie and Crew

[57] CLAIM

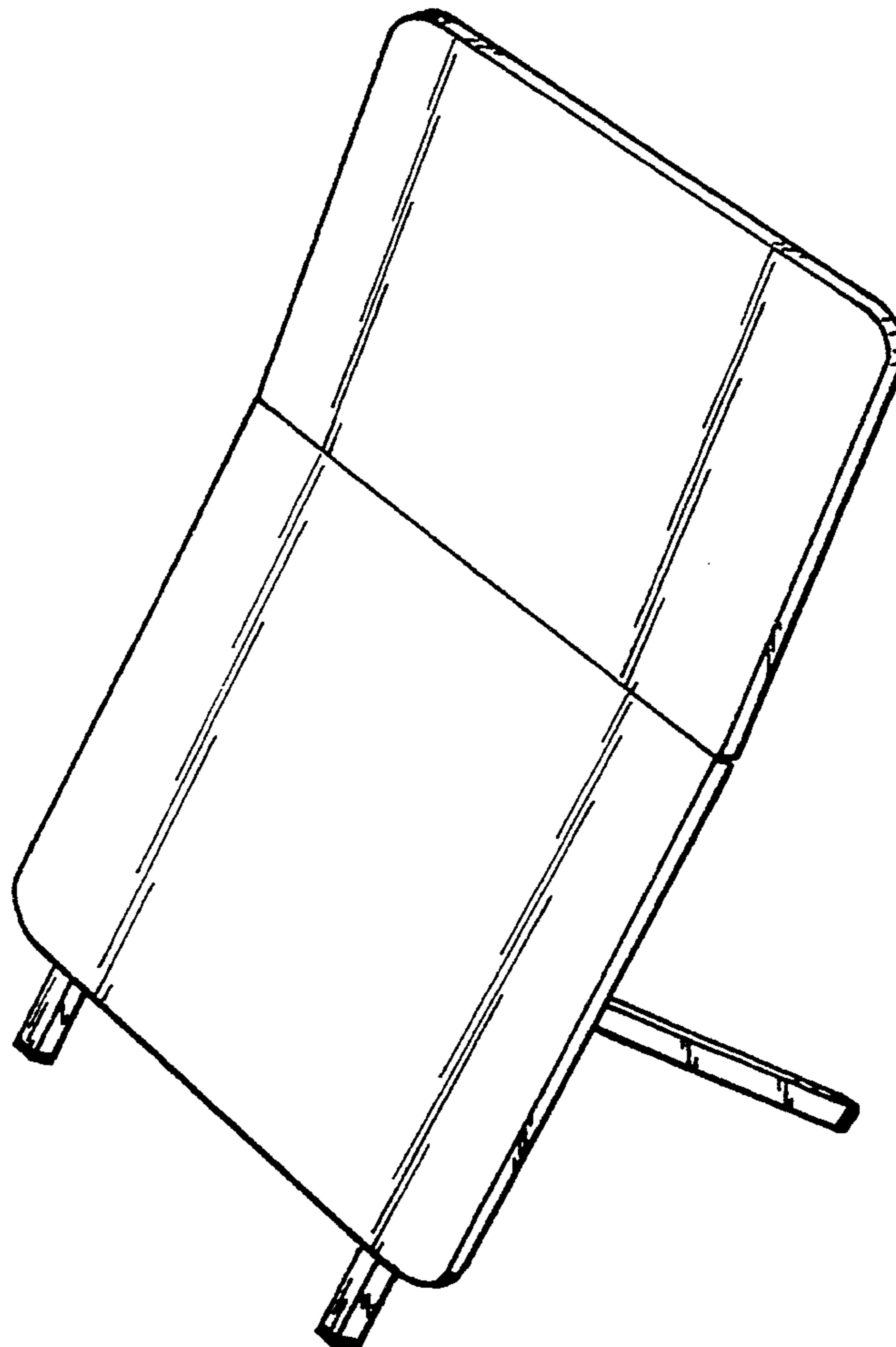
The ornamental design for a handball rebound board, as shown and described.

DESCRIPTION

FIG. 1 is a front perspective view of a handball rebound board showing my new design;
 FIG. 2 is a rear perspective view thereof;
 FIG. 3 is a right side elevational view thereof, the undisclosed opposite side being a mirror image;
 FIG. 4 is a front elevational view thereof;
 FIG. 5 is a top plan view thereof; and,
 FIG. 6 is a rear elevational view thereof.

[56] **References Cited**
U.S. PATENT DOCUMENTS

- D. 246,476 11/1977 McGuire D21/199
- D. 265,413 7/1982 Millikan D21/199
- 3,001,795 9/1961 Johnson, Jr. 273/26 A
- 4,065,126 12/1977 Mantz 273/29 A X



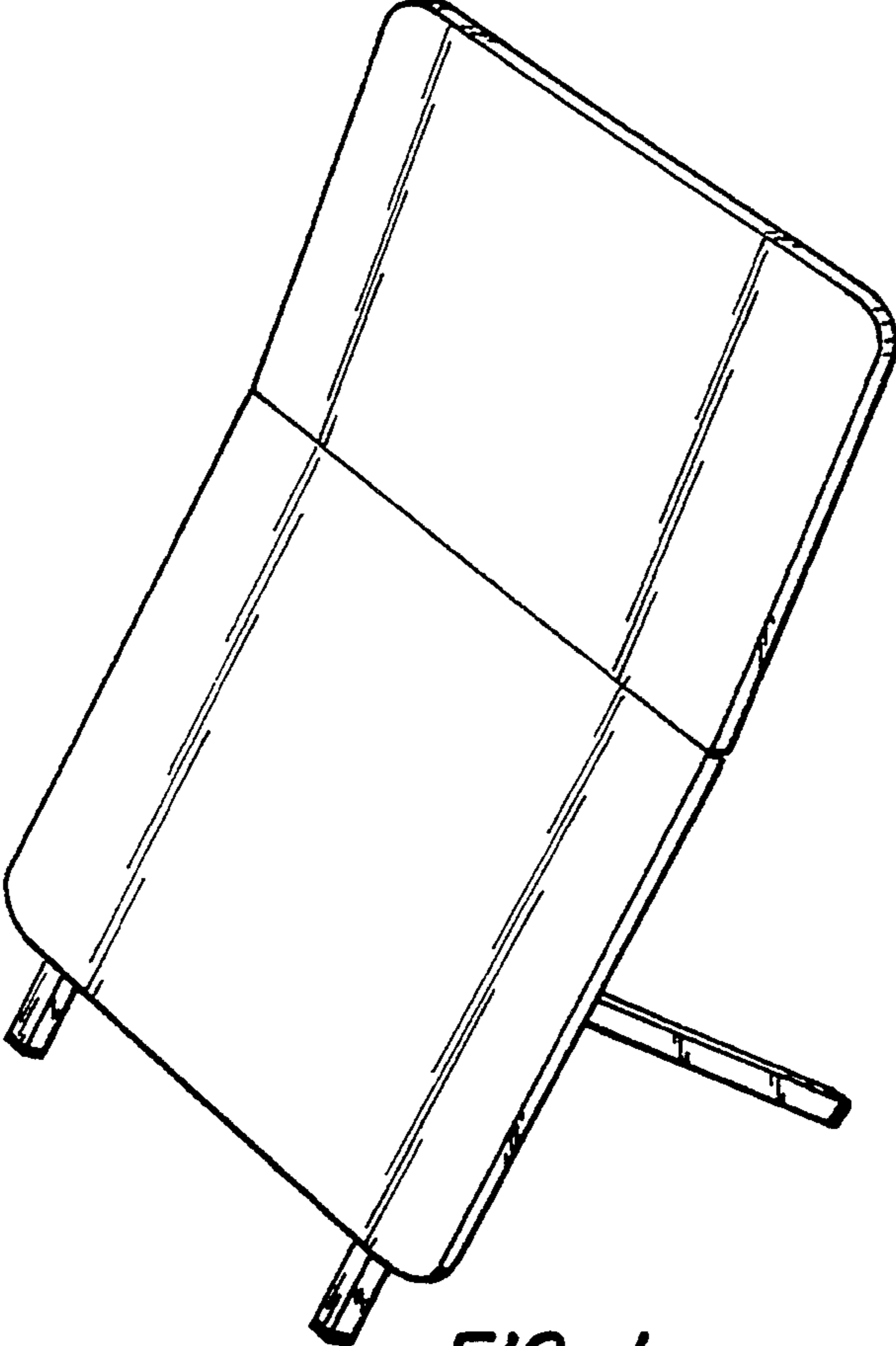


FIG. 1.

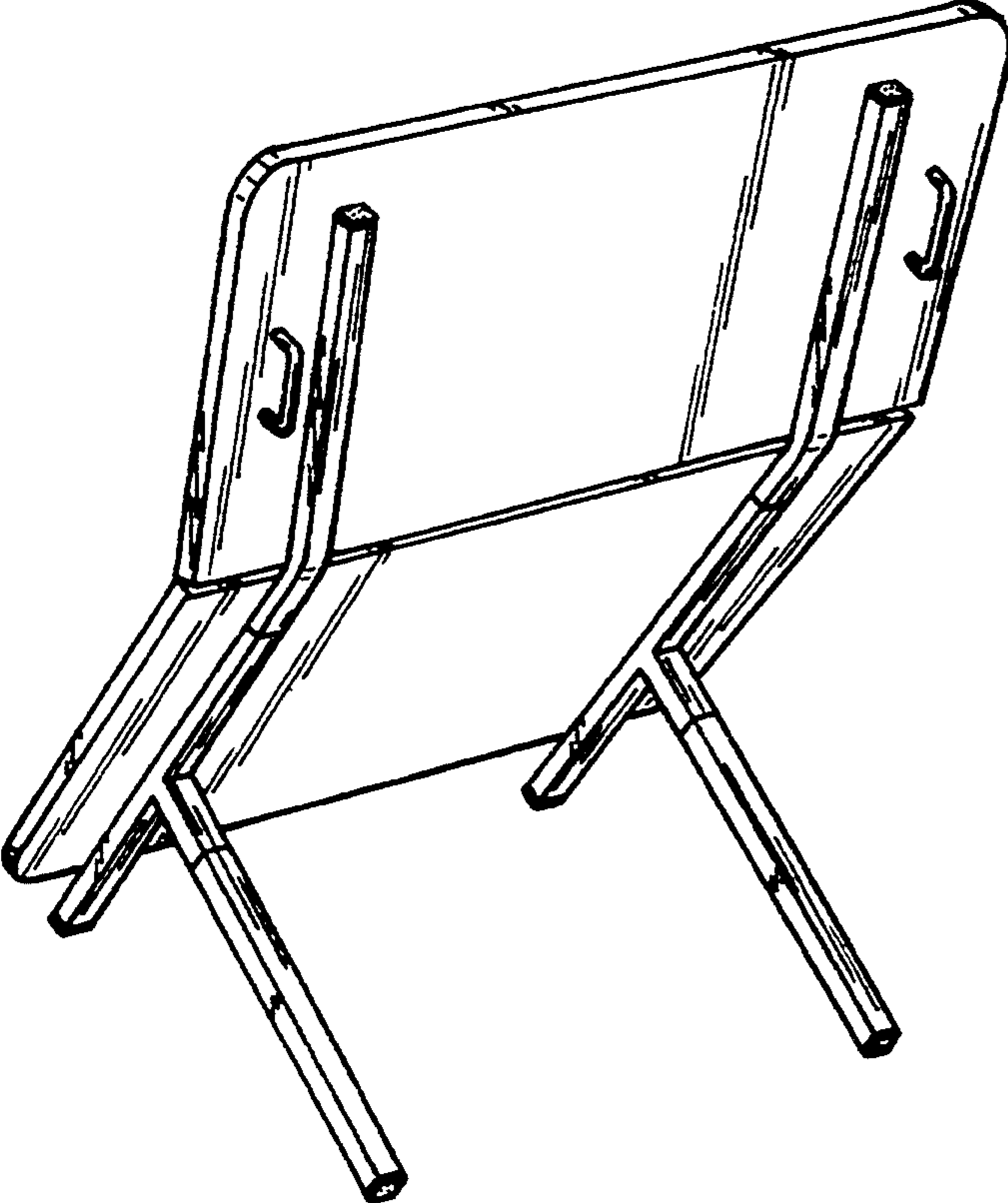


FIG. 2.

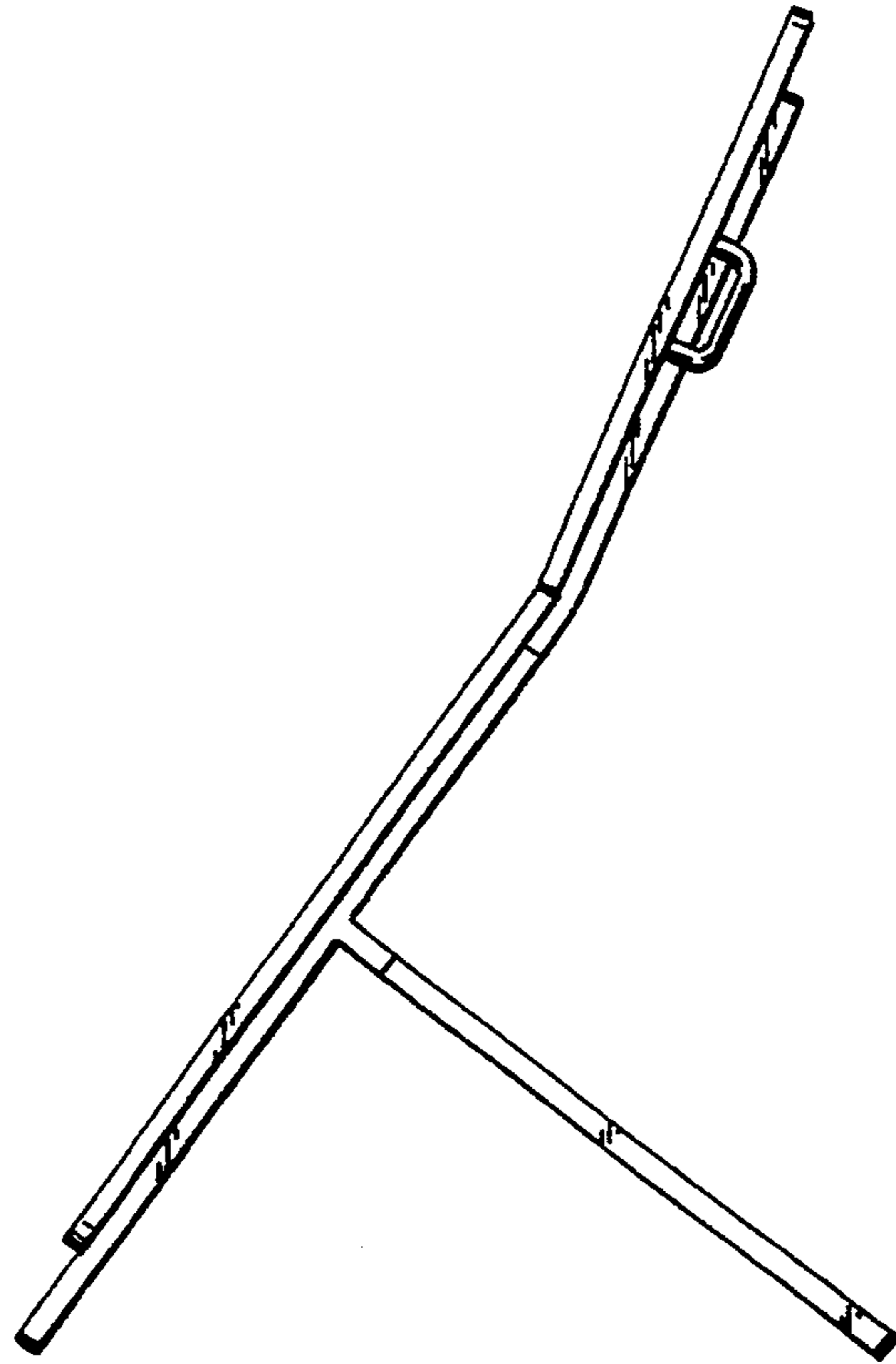


FIG. 3.

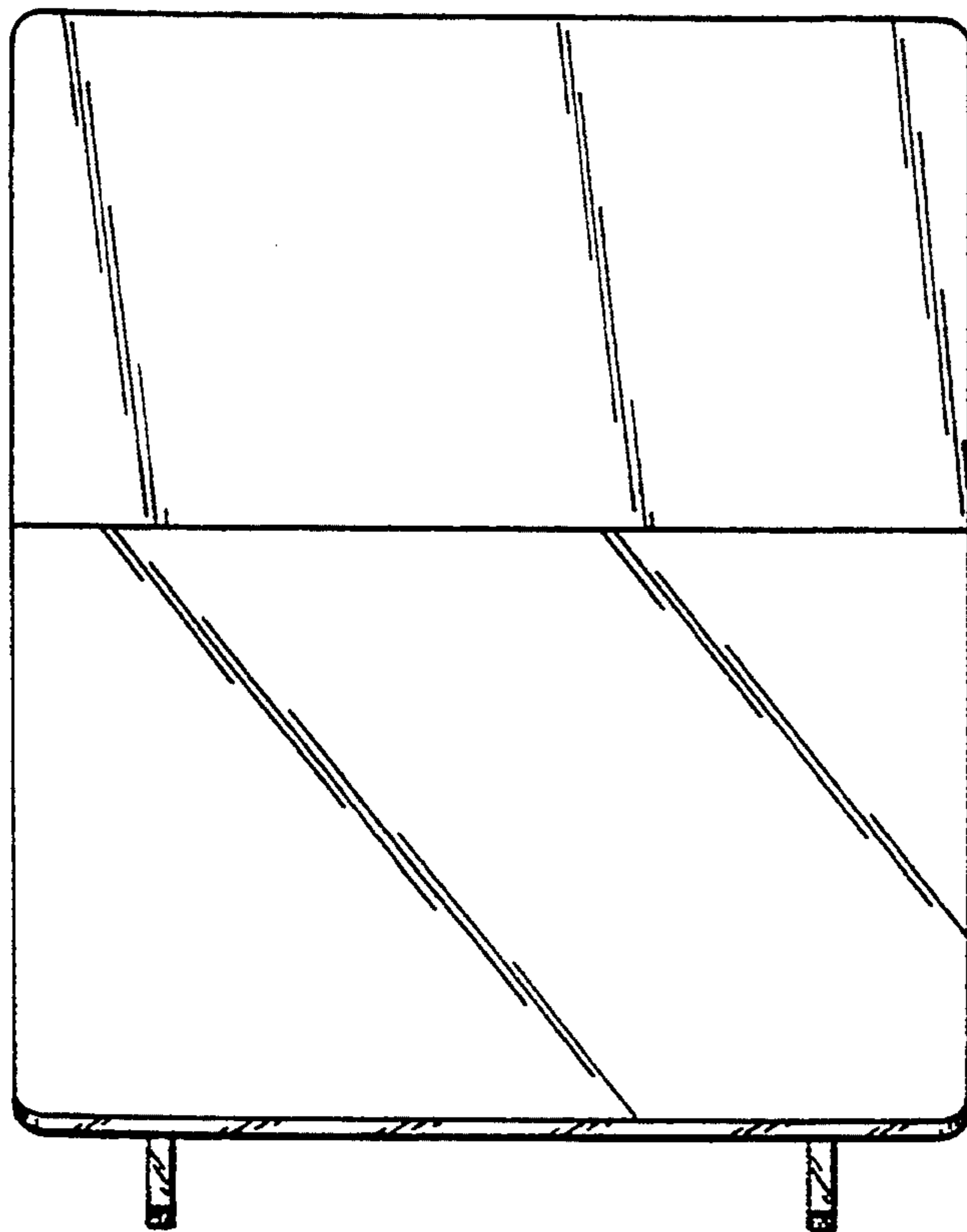


FIG. 4.

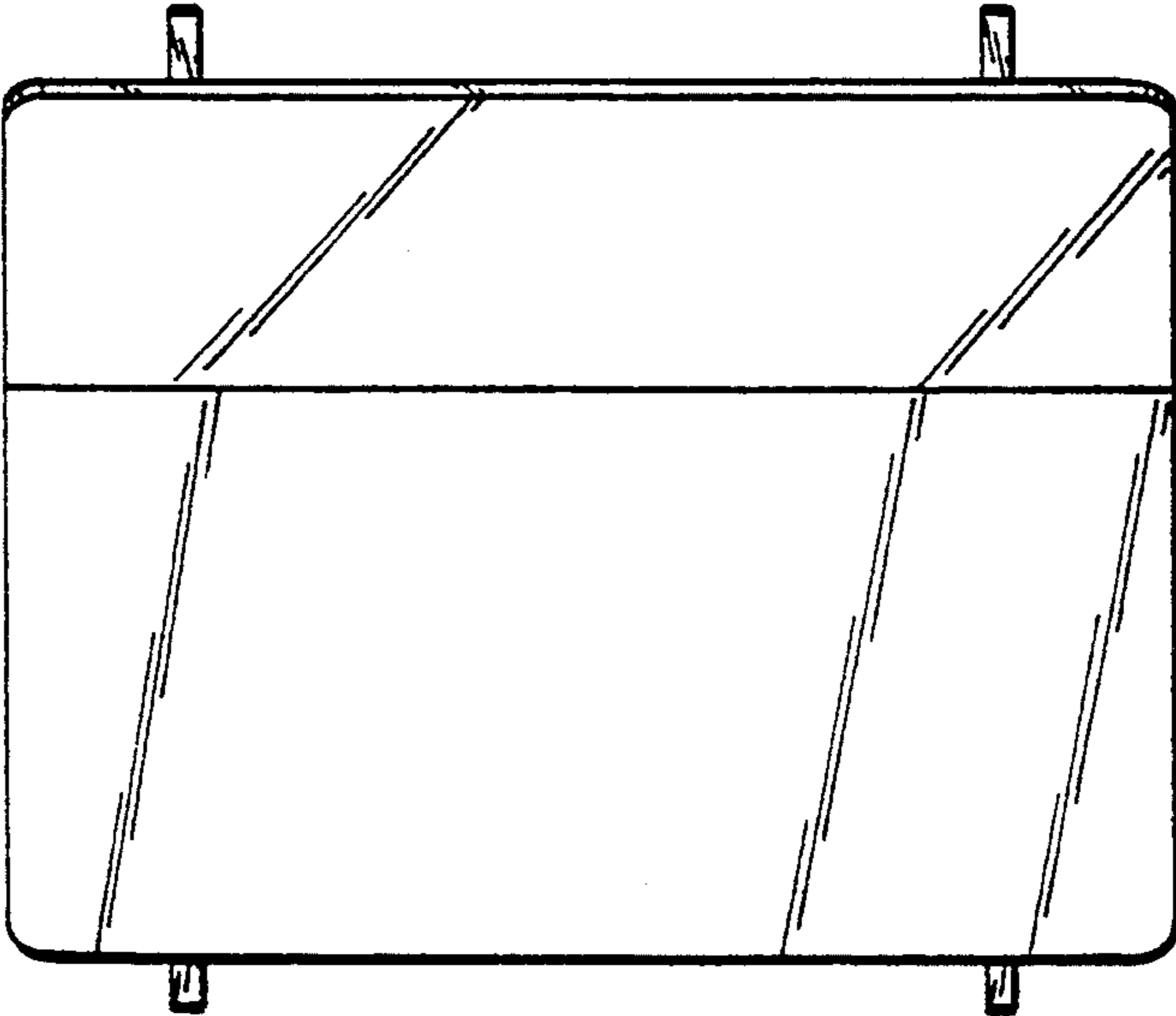


FIG. 5.

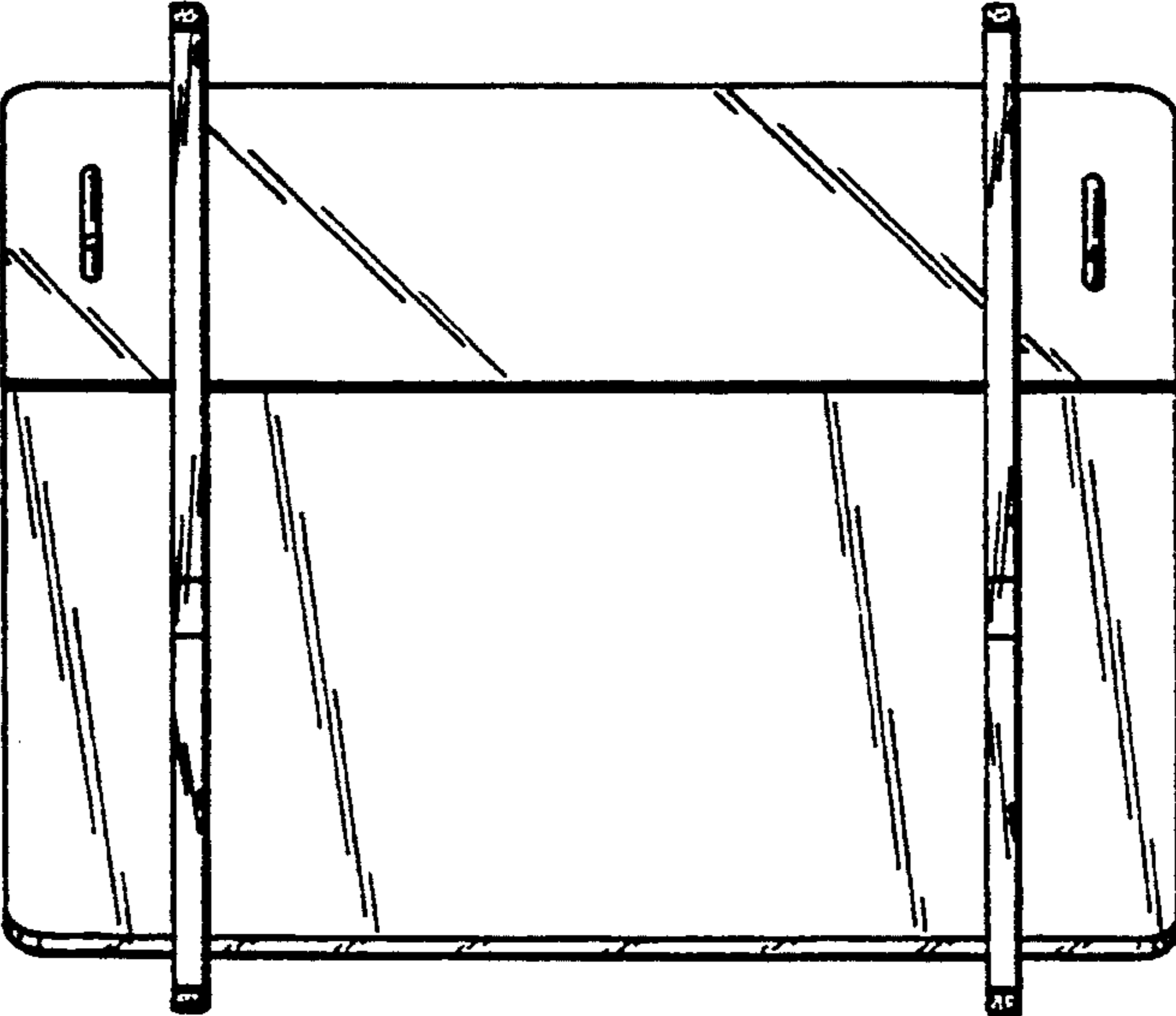


FIG. 6.