



US00D353423S

United States Patent [19]

[11] Patent Number: Des. 353,423

Chen

[45] Date of Patent: ** Dec. 13, 1994

[54] MULTI FUNCTION EXERCISER

4,840,373 6/1989 Maag 482/97

[76] Inventor: **Tsung-Yu Chen**, No. 1-9, Ting-Liao, San-Ho Tsuen, Shui-Shang Hsiang, Chiayi Hsien, Taiwan, Prov. of China

OTHER PUBLICATIONS

Best Catalog, 91/92, p. 387, Home Gyms, CP3-10A09. Service Merchandise Catalog, 91/92, pp. 488 & 489, Home Gyms, CP3-10A09.

[**] Term: **14 Years**

Primary Examiner—Bernard Ansher
Assistant Examiner—Philip Hyder

[21] Appl. No.: **7,290**

[22] Filed: **Apr. 16, 1993**

[57] CLAIM

[52] U.S. Cl. **D21/195**

The ornamental design for multi function exerciser, as shown and described.

[58] Field of Search 482/92, 93, 94, 97, 482/98, 100, 123; D21/191, 195

DESCRIPTION

[56] References Cited

FIG. 1 is a perspective view of multi function exerciser showing my new design;

U.S. PATENT DOCUMENTS

D. 288,451	2/1987	Irvine et al.	D21/195
D. 301,597	6/1989	Lehtonen	D21/195
D. 306,053	2/1990	Beistegui	D21/195
D. 321,735	11/1991	Blubaugh	D21/195
D. 329,672	9/1992	Shieh	D21/195
4,804,179	2/1989	Murphy et al.	482/97

FIG. 2 is a front elevational view thereof;

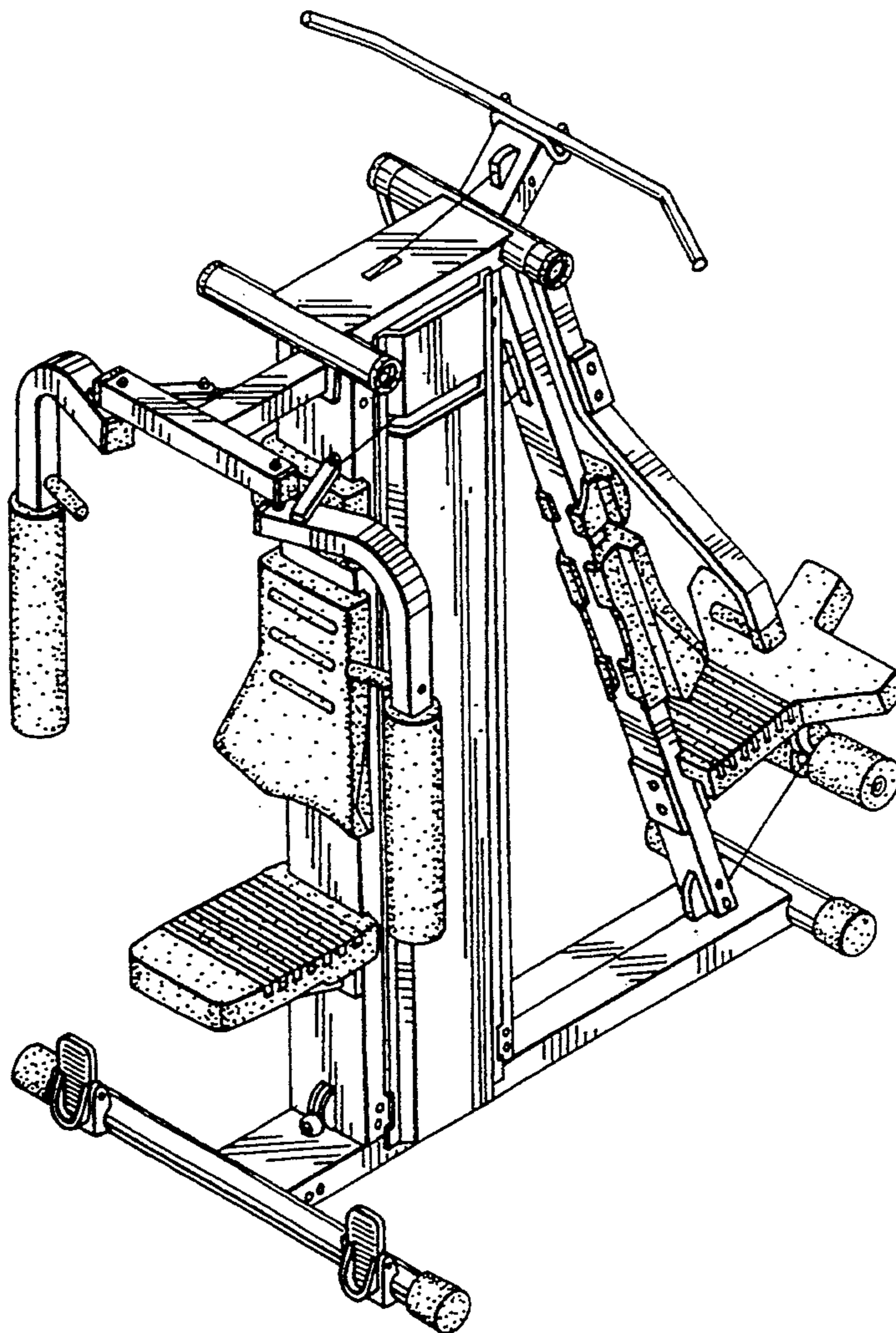
FIG. 3 is a rear elevational view thereof;

FIG. 4 is a left side elevational view thereof;

FIG. 5 is a right side elevational view thereof;

FIG. 6 is a top plan view thereof; and,

FIG. 7 is a bottom plan view thereof.



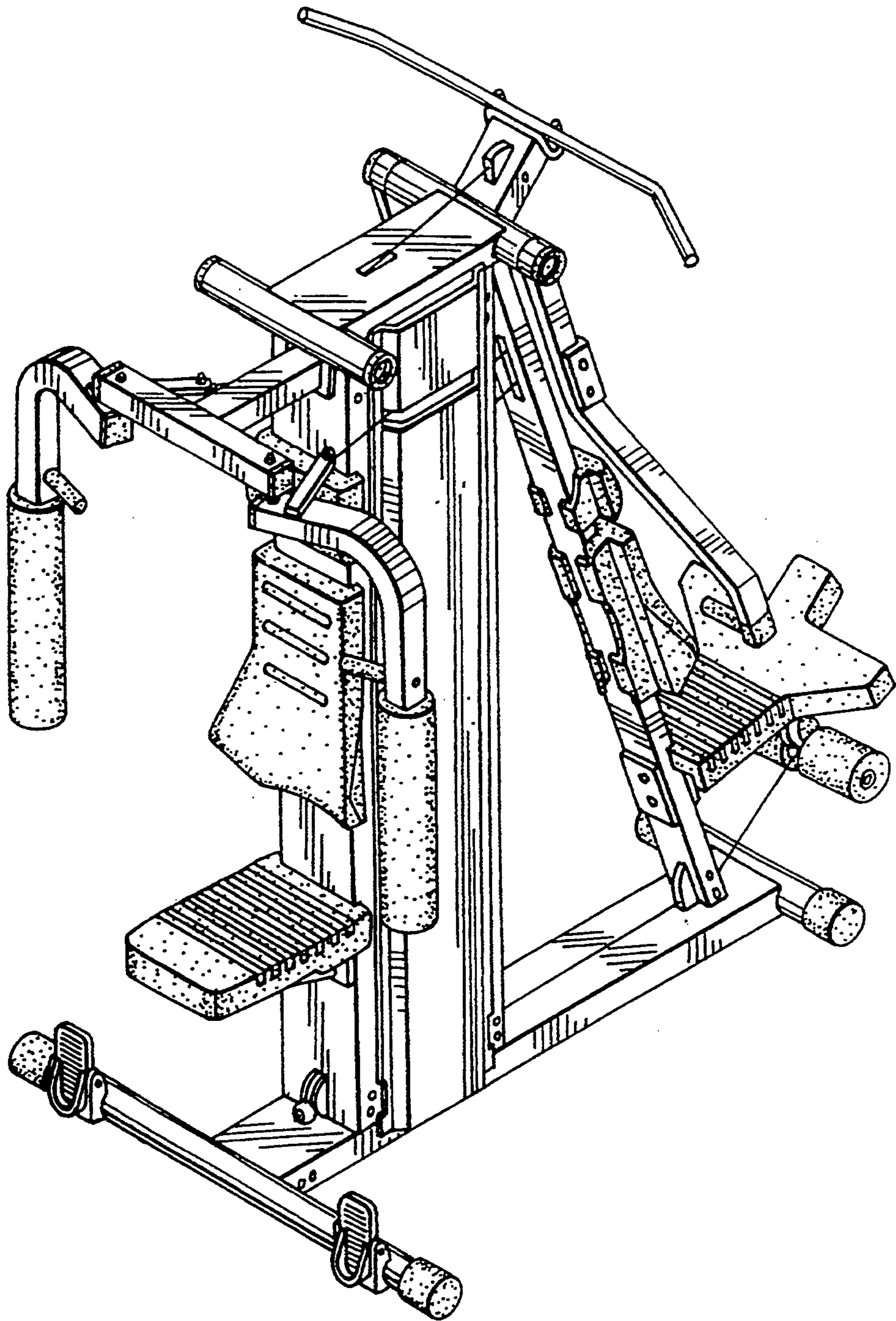


FIG.1

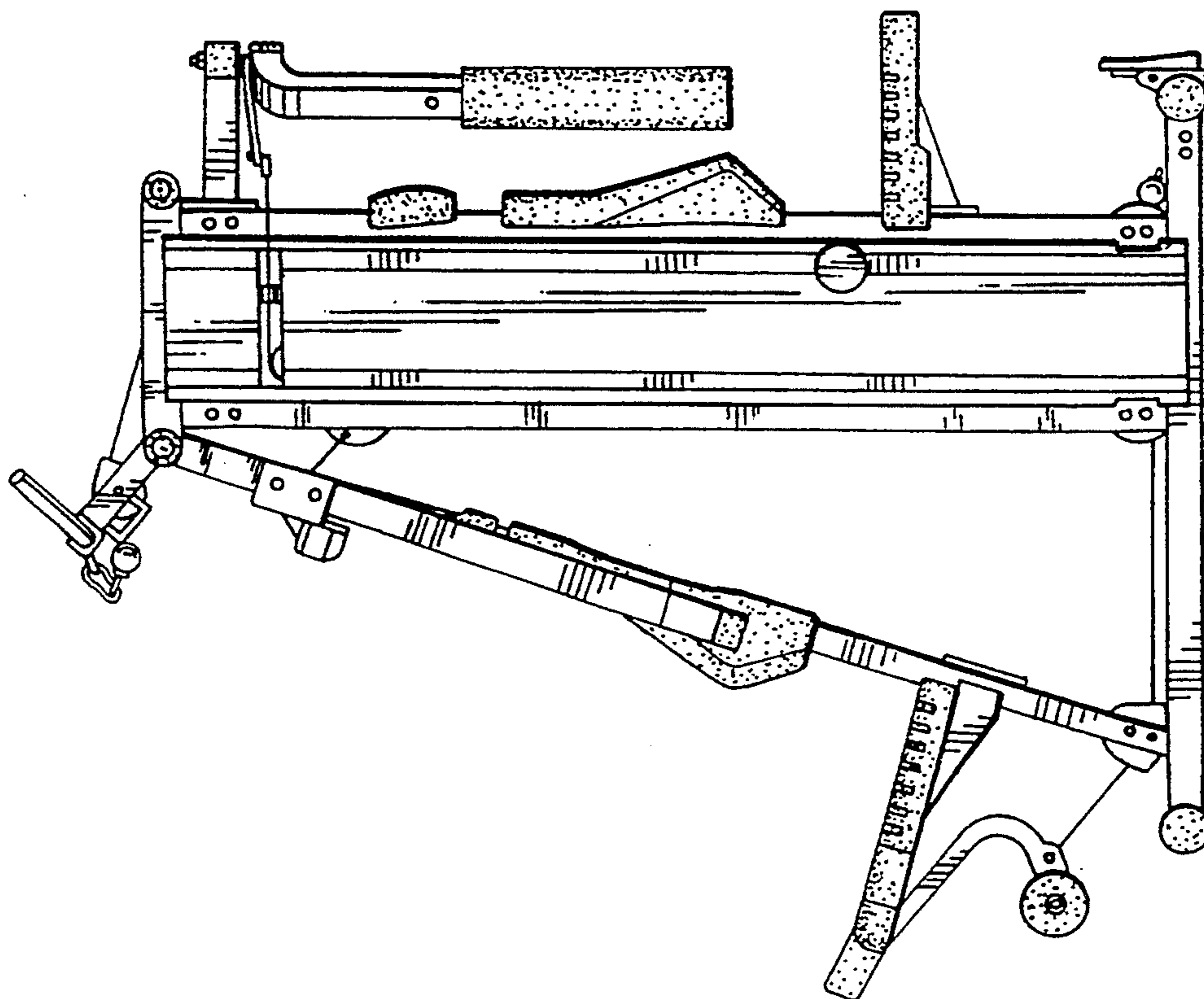


FIG. 2

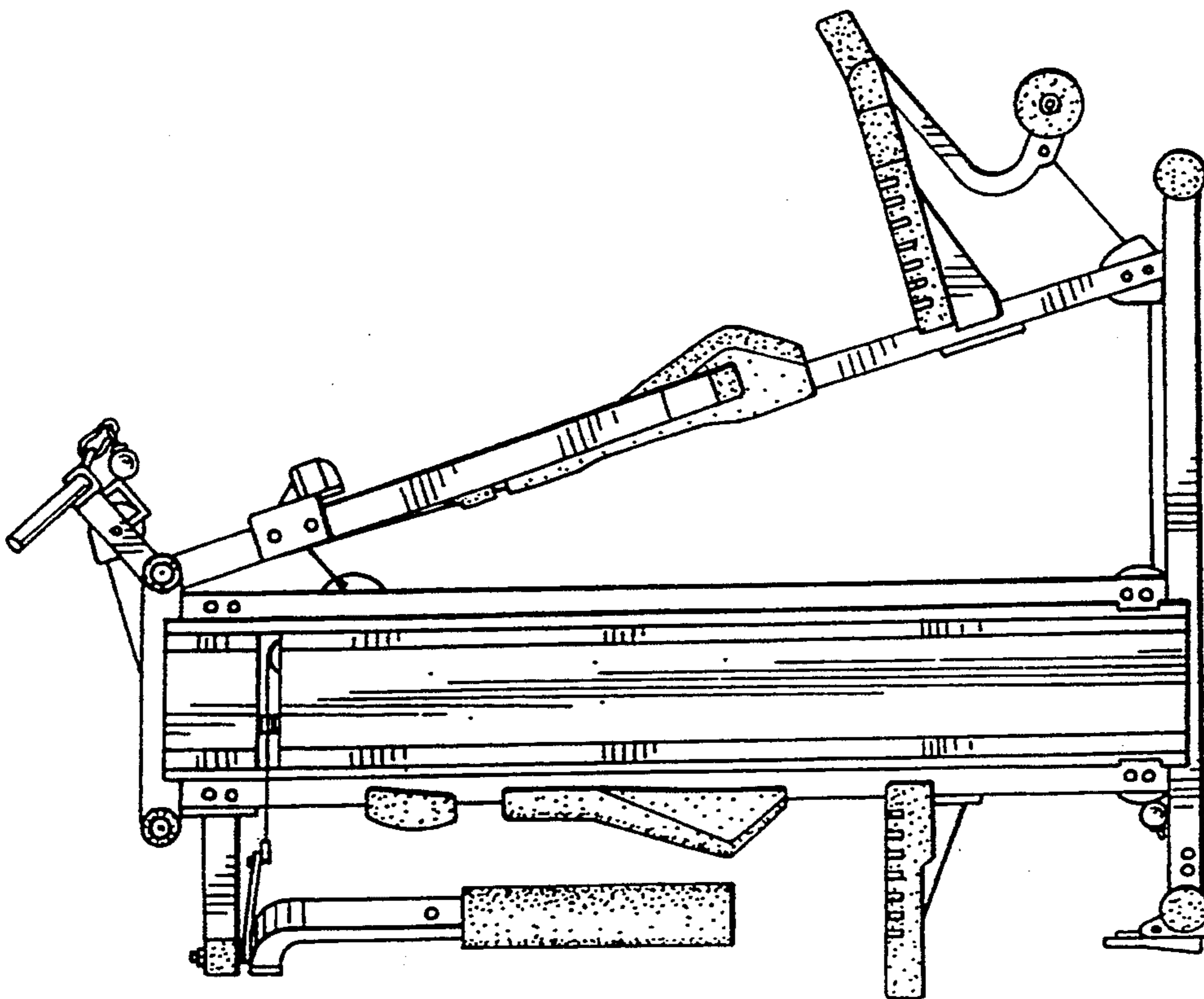


FIG. 3

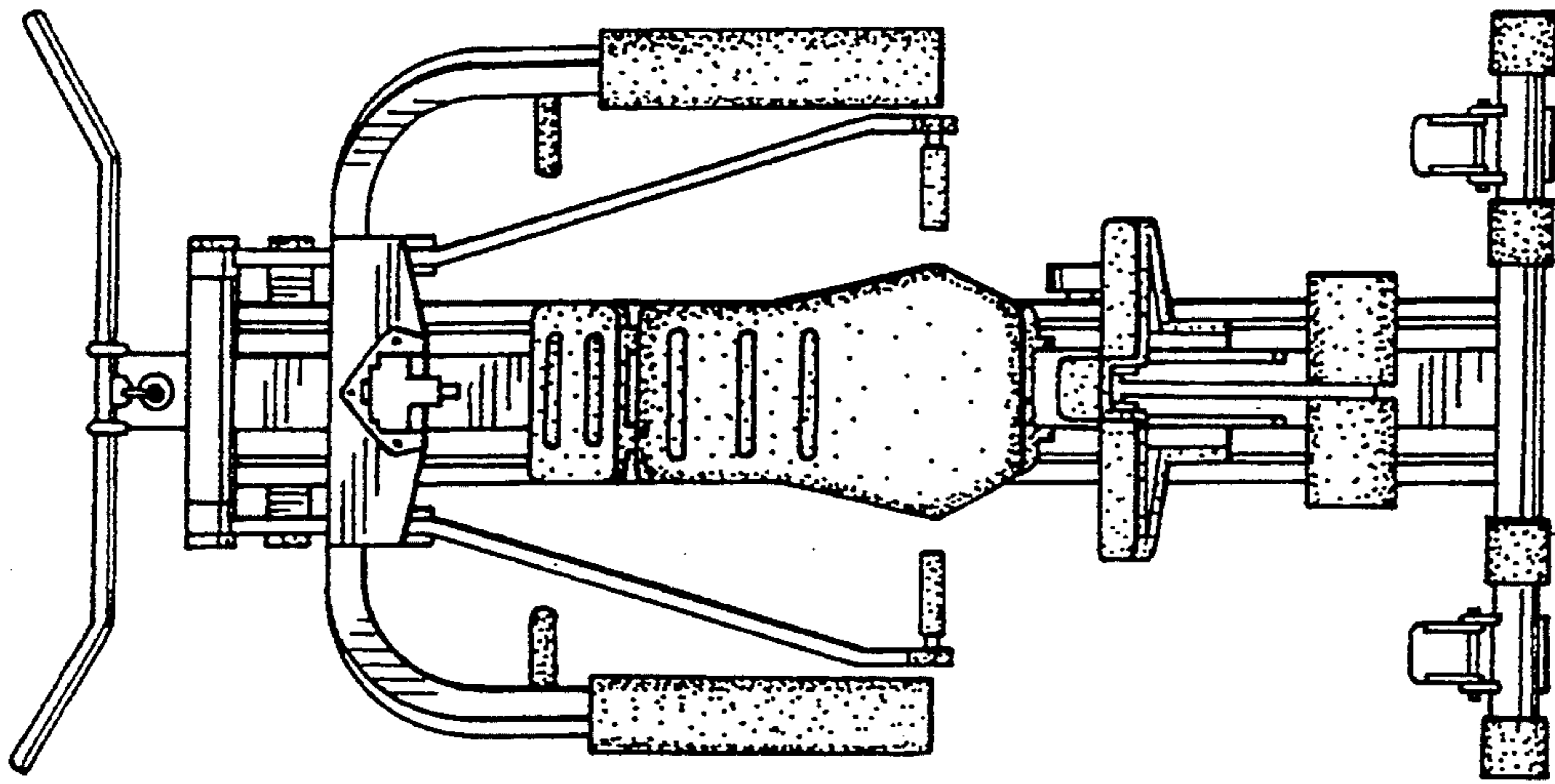


FIG. 5

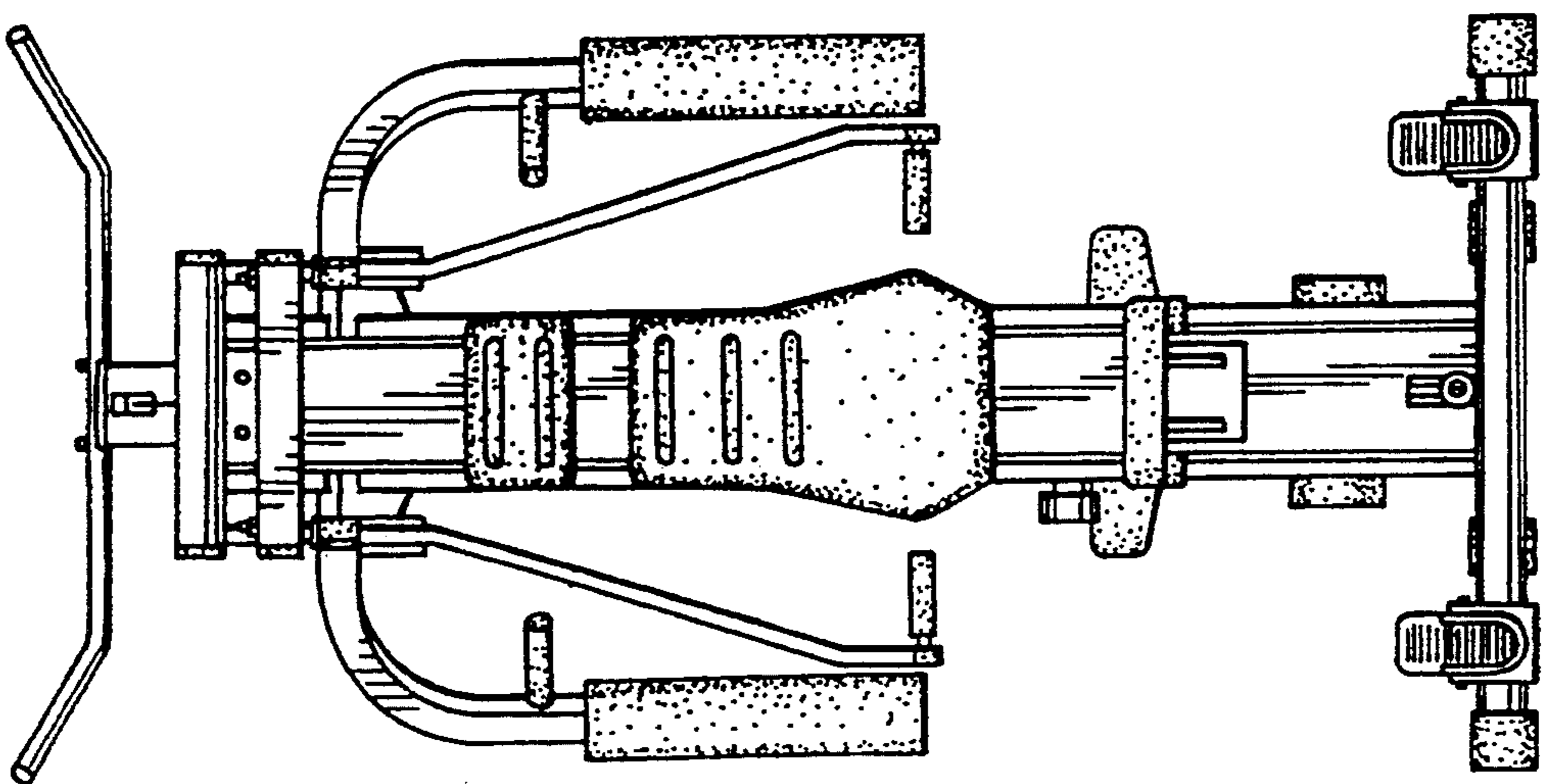


FIG. 4

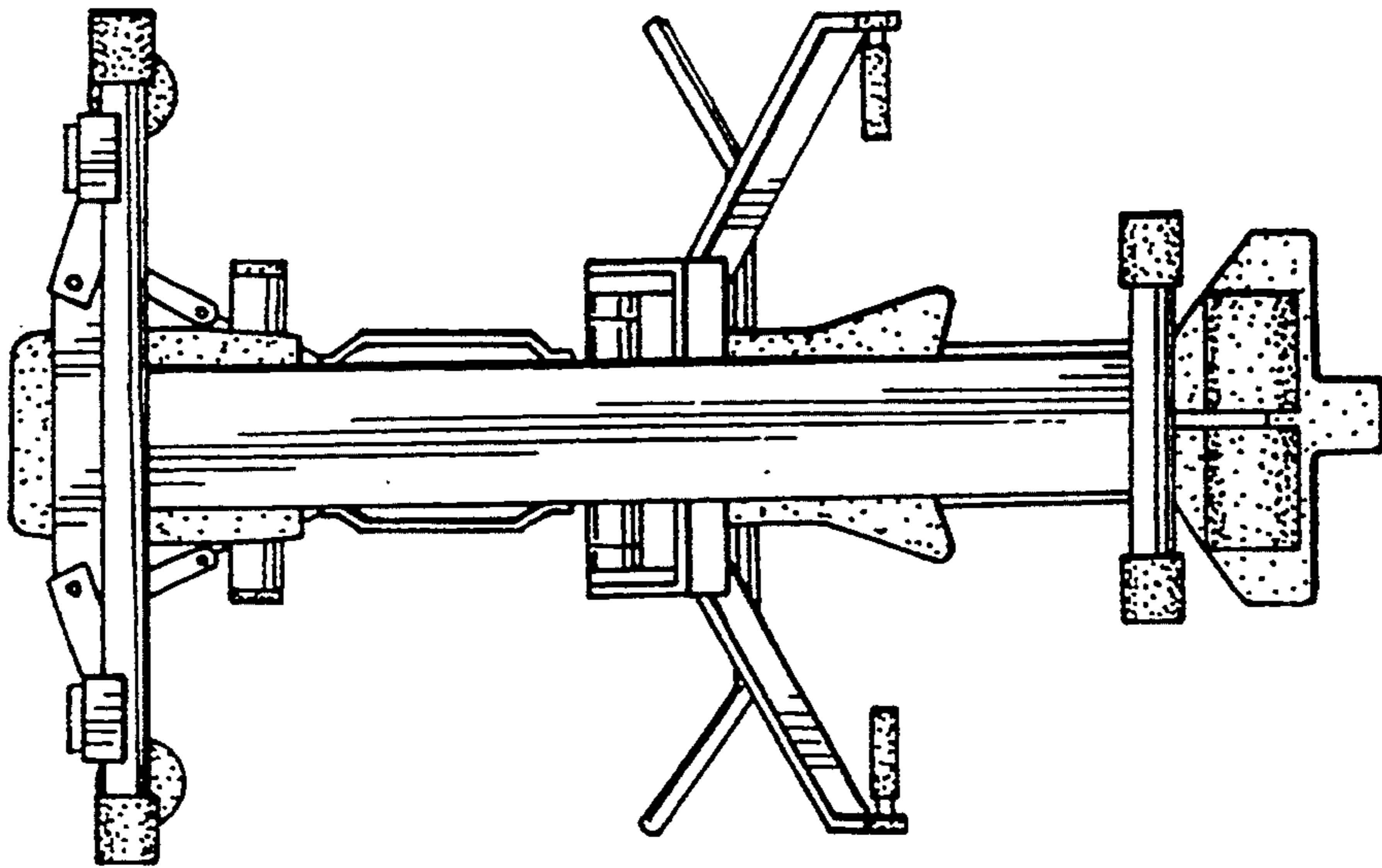


FIG.7

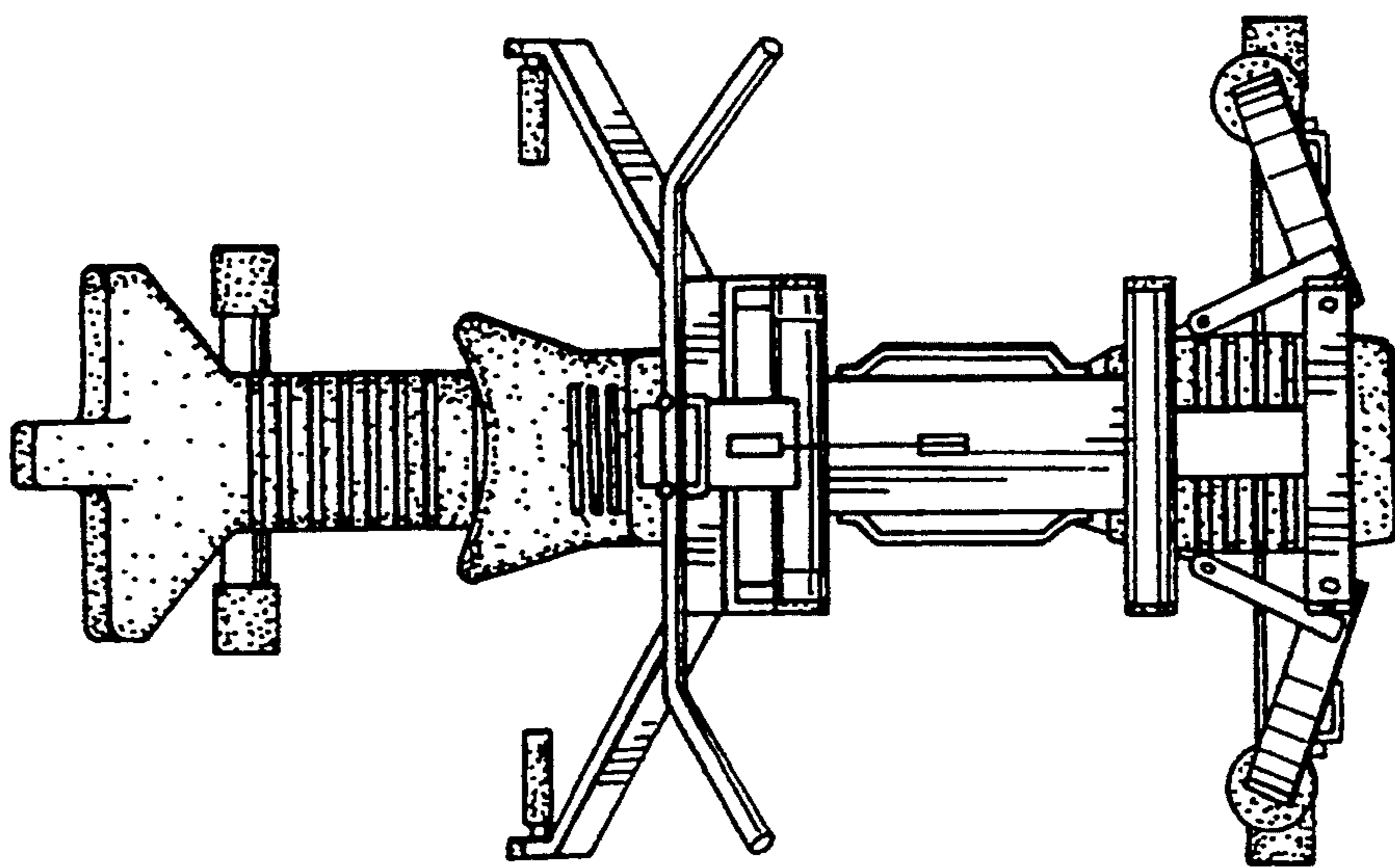


FIG.6