



US00D353421S

United States Patent [19]

[11] Patent Number: **Des. 353,421**

Gallivan

[45] Date of Patent: **** Dec. 13, 1994**

[54] **EXERCISE BICYCLE**

[76] Inventor: **Tim Gallivan**, 918 Woodbine Avenue, Toronto, Ontario, Canada, M4C 4B7

[**] Term: **14 Years**

[21] Appl. No.: **15**

[22] Filed: **Oct. 5, 1992**

[52] U.S. Cl. **D21/194**

[58] Field of Search 482/57, 58, 59; D21/191, 194, 195

D. 309,337 7/1990 Yang D21/194
D. 319,274 8/1991 Byrd et al. D21/194
D. 319,675 9/1991 Byrd et al. D21/194

Primary Examiner—Melvin B. Feifer
Assistant Examiner—Philip Hyder
Attorney, Agent, or Firm—Hugh E. Smith

[57] **CLAIM**

The ornamental design for a exercise bicycle, as shown and described.

DESCRIPTION

FIG. 1 is a front elevational view of the exercise bicycle showing my new design;
FIG. 2 is a rear elevational view thereof;
FIG. 3 is a left side elevational view thereof;
FIG. 4 is a right side elevational view thereof;
FIG. 5 is a top plan view thereof;
FIG. 6 is a bottom plan view thereof; and,
FIG. 7 is a perspective view thereof.

[56] **References Cited**

U.S. PATENT DOCUMENTS

D. 306,330 2/1990 Lucas et al. D21/194
D. 307,928 5/1990 Meisner D21/194
D. 308,235 5/1990 Meisner D21/194
D. 309,167 7/1990 Griffin D21/194

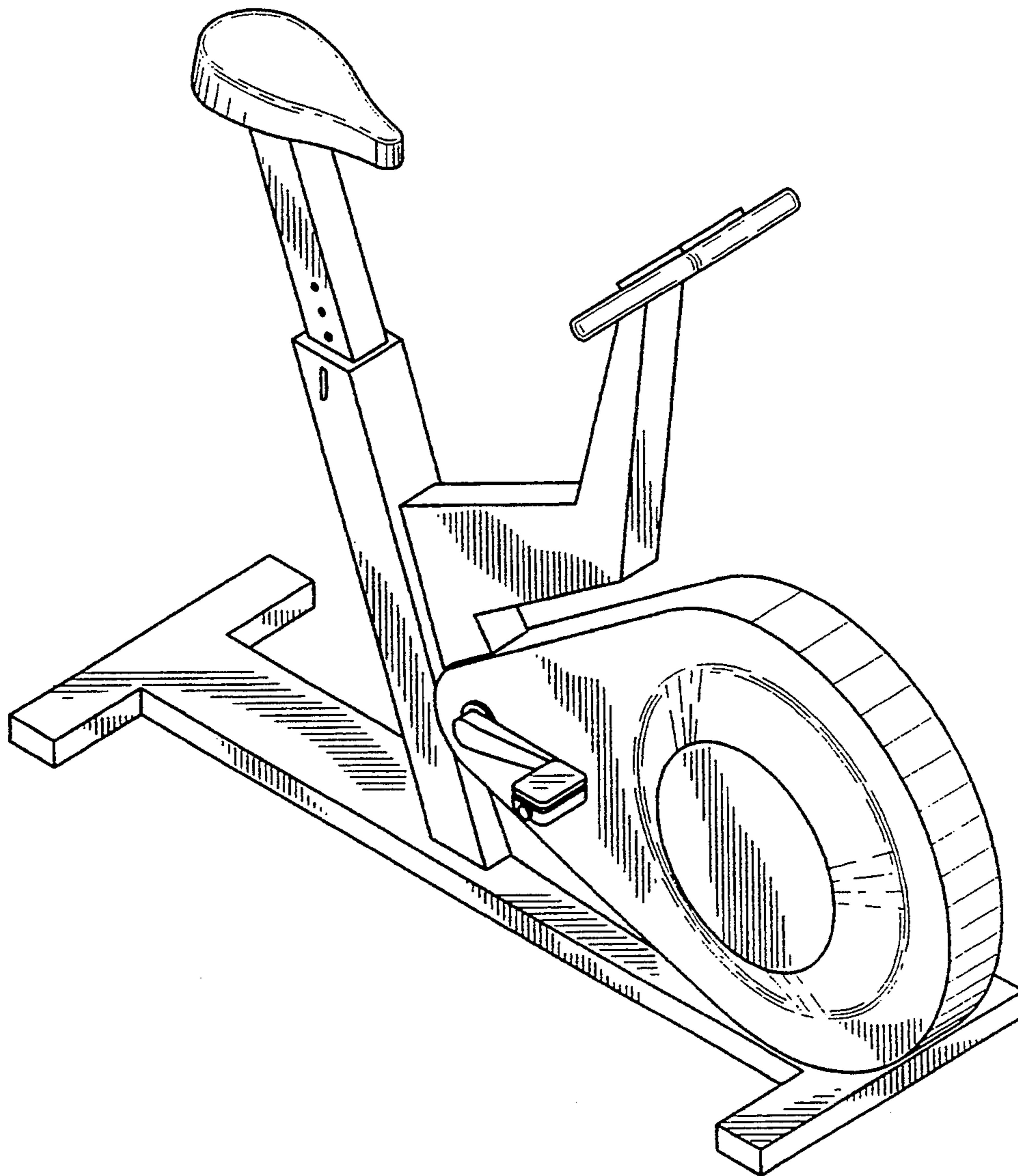


FIG. 1

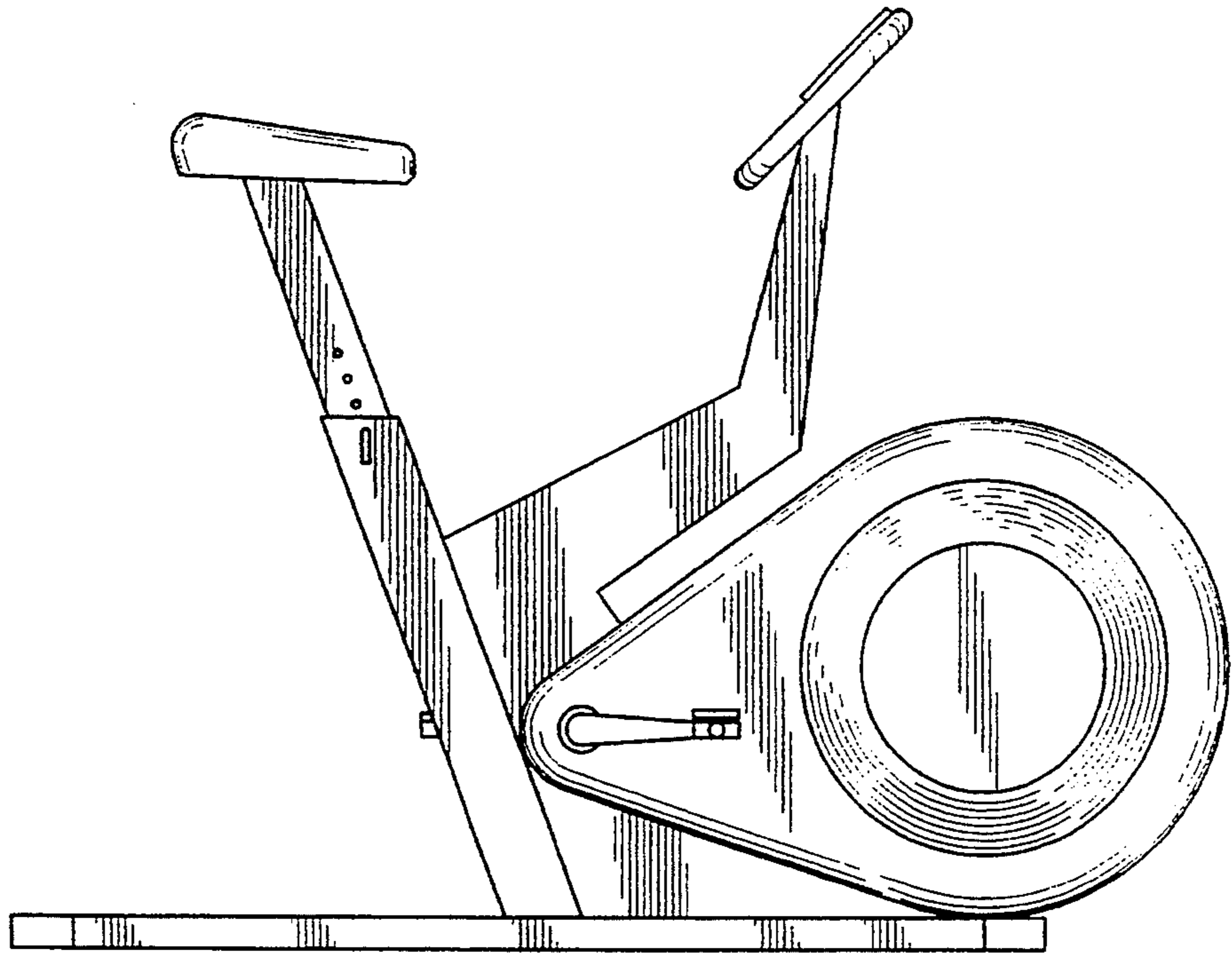


FIG. 2

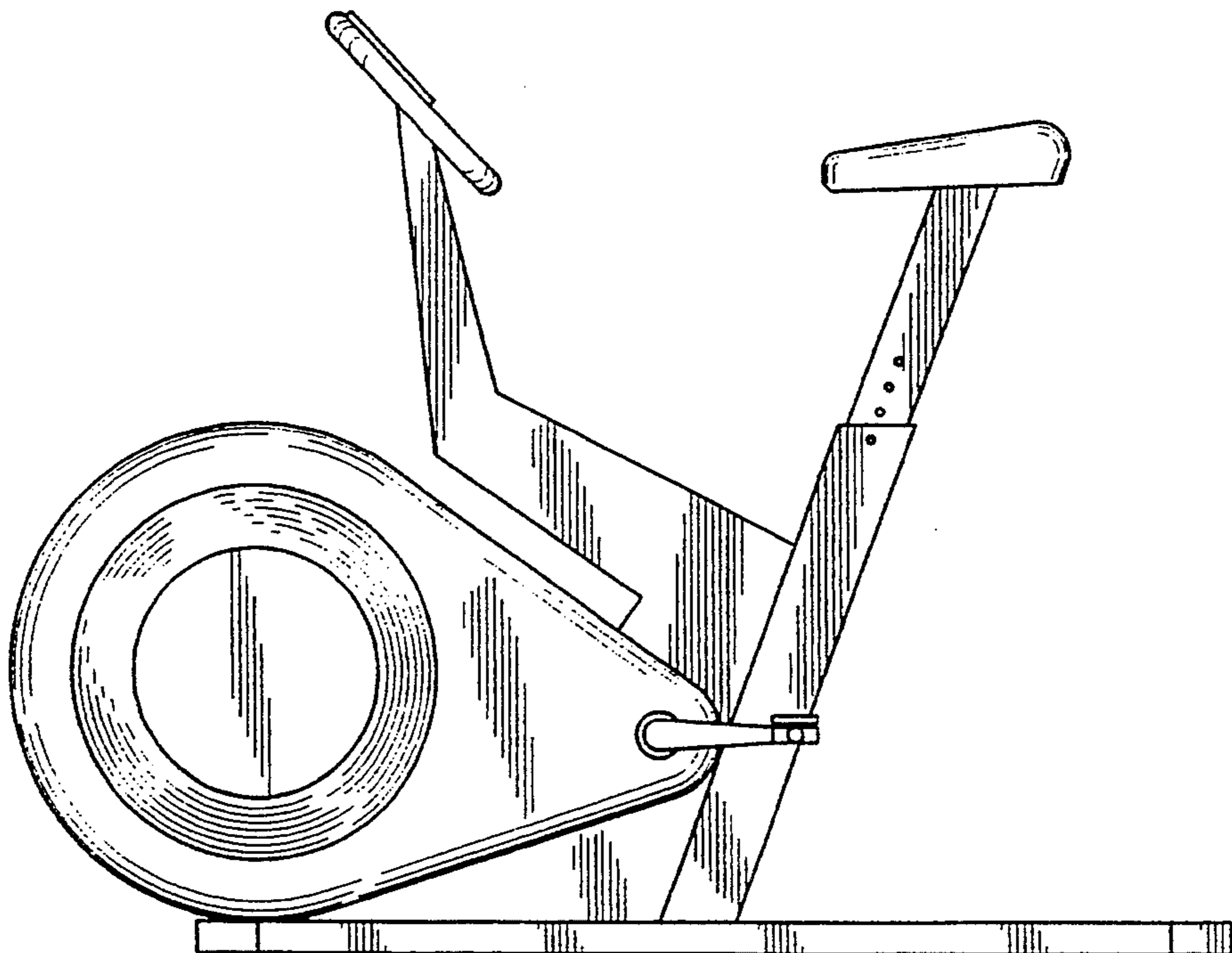


FIG. 3

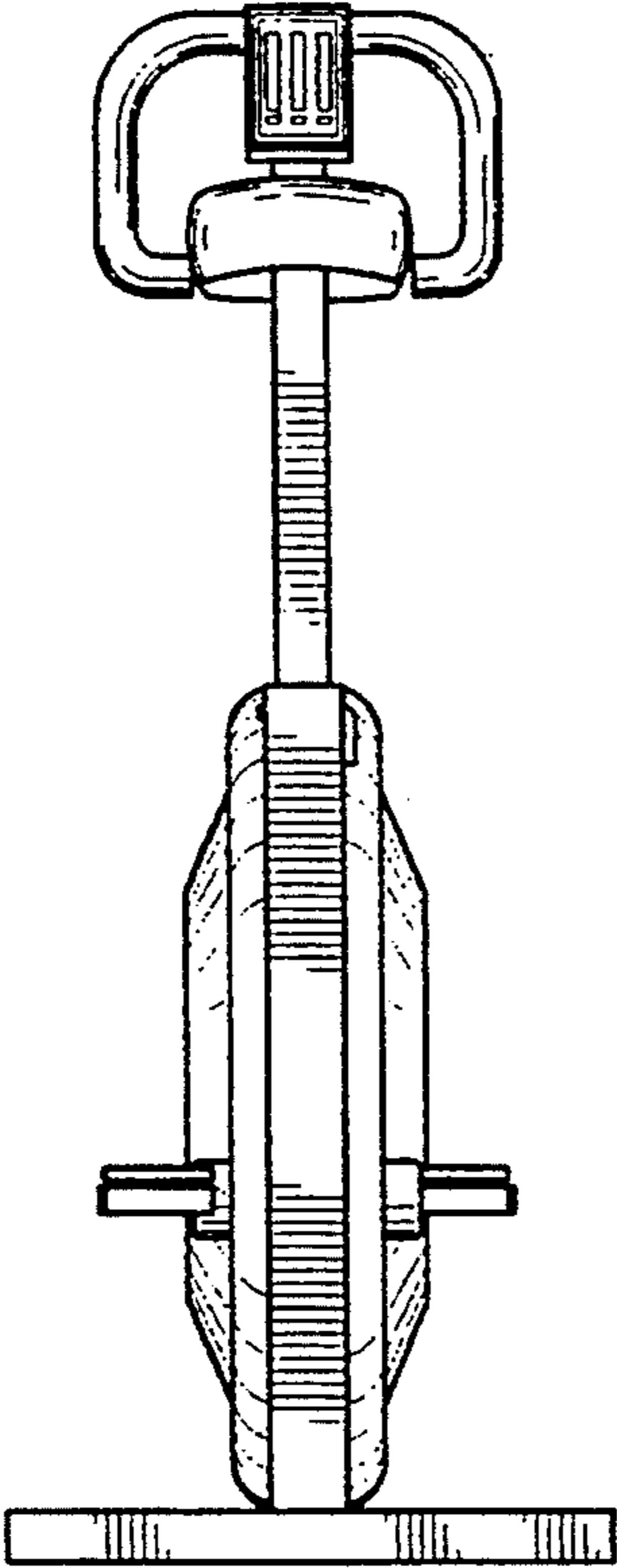


FIG. 4

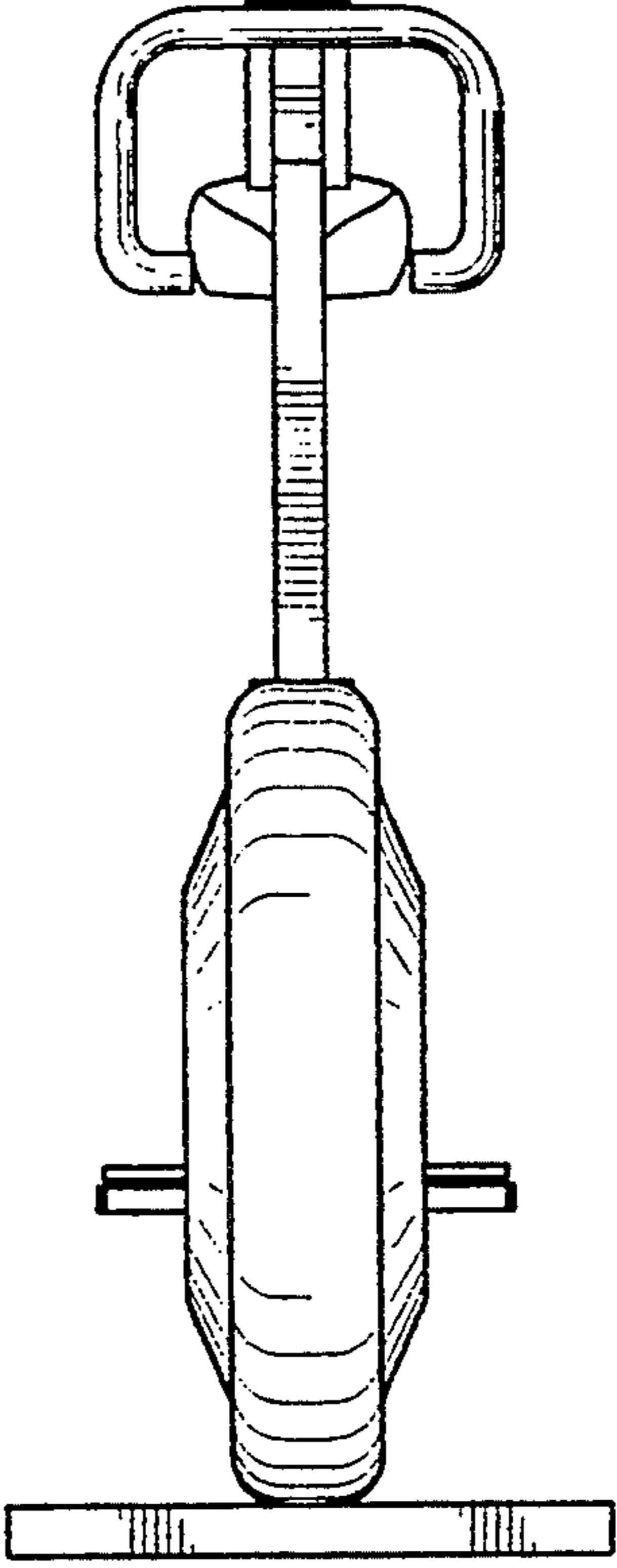


FIG. 5

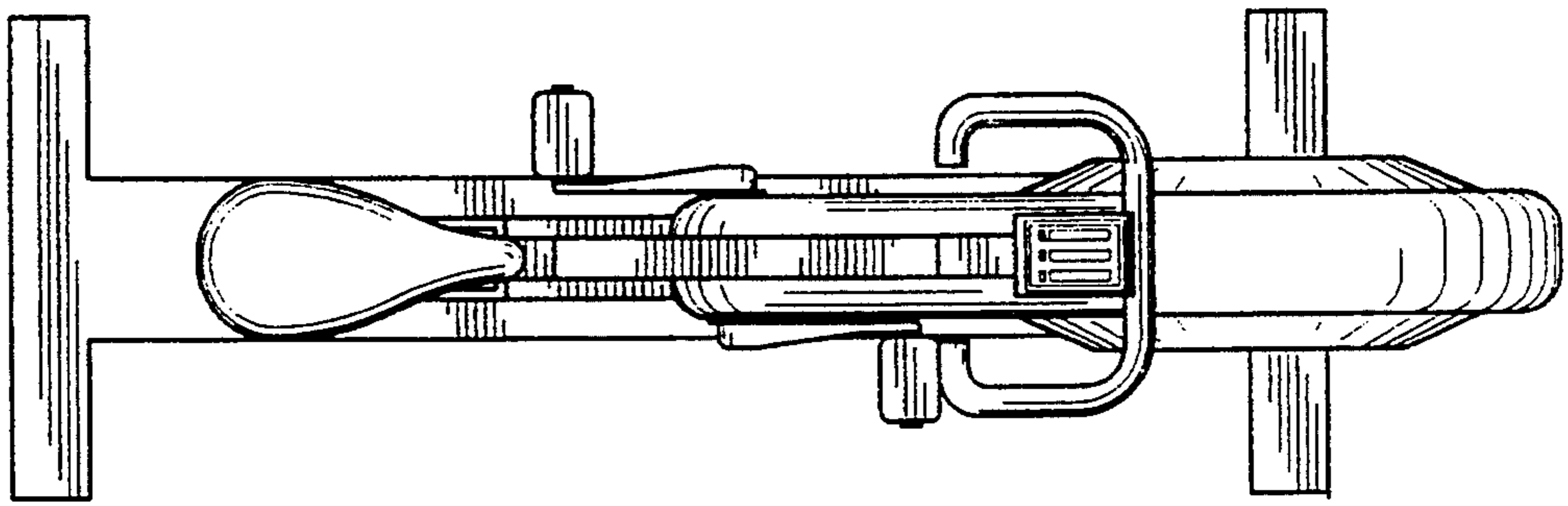


FIG. 6

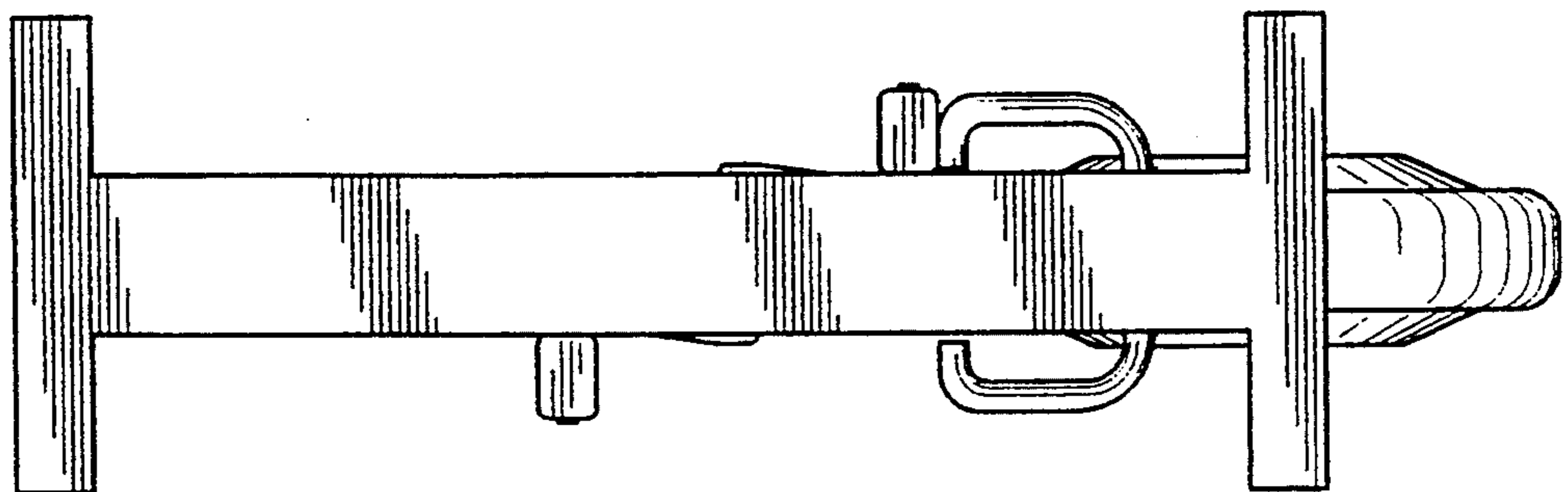


FIG. 7

