



US00D353419S

United States Patent [19]

[11] Patent Number: **Des. 353,419**

Sprague

[45] Date of Patent: **** Dec. 13, 1994**

[54] **AEROBIC EXERCISE PLATFORM**

5,213,554 5/1993 Goldstein et al. 482/52
5,230,674 7/1993 Terauds 482/148

[76] Inventor: **Edwin J. Sprague**, 2146 Valley View Dr., Folcroft, Pa. 19032

Primary Examiner—Bernard Ansher
Assistant Examiner—Philip Hyder
Attorney, Agent, or Firm—Connolly & Hutz

[**] Term: **14 Years**

[57] **CLAIM**

[21] Appl. No.: **11,080**

The ornamental design for an aerobic exercise platform, as shown and described.

[22] Filed: **Jul. 26, 1993**

[52] U.S. Cl. **D21/191**

[58] Field of Search 482/51, 52, 129, 133, 482/141, 142, 143, 123; D21/191, 195

DESCRIPTION

[56] **References Cited**

U.S. PATENT DOCUMENTS

3,593,994	7/1971	Anbar	482/147
4,132,405	1/1979	Asher	482/147
4,982,958	1/1991	Ullman	482/123
5,108,089	4/1992	Wilkinson	482/52
5,112,287	5/1992	Brewer	482/133
5,169,360	12/1992	Saunders	482/52
5,178,596	1/1993	McIntire	482/122

FIG. 1 is a front elevational view of an aerobic exercise platform in accordance with my design;
FIG. 2 is a top plan view thereof;
FIG. 3 is a rear elevational view thereof;
FIG. 4 is a bottom plan view thereof;
FIG. 5 is a right elevational view thereof with the left side elevational view being a mirror image; and,
FIG. 6 is a top plan view of a modified embodiment of the aerobic exercise platform, the remaining views thereof appearing the same as FIGS. 1, 3, 4, and 5 but without the resistance cords.

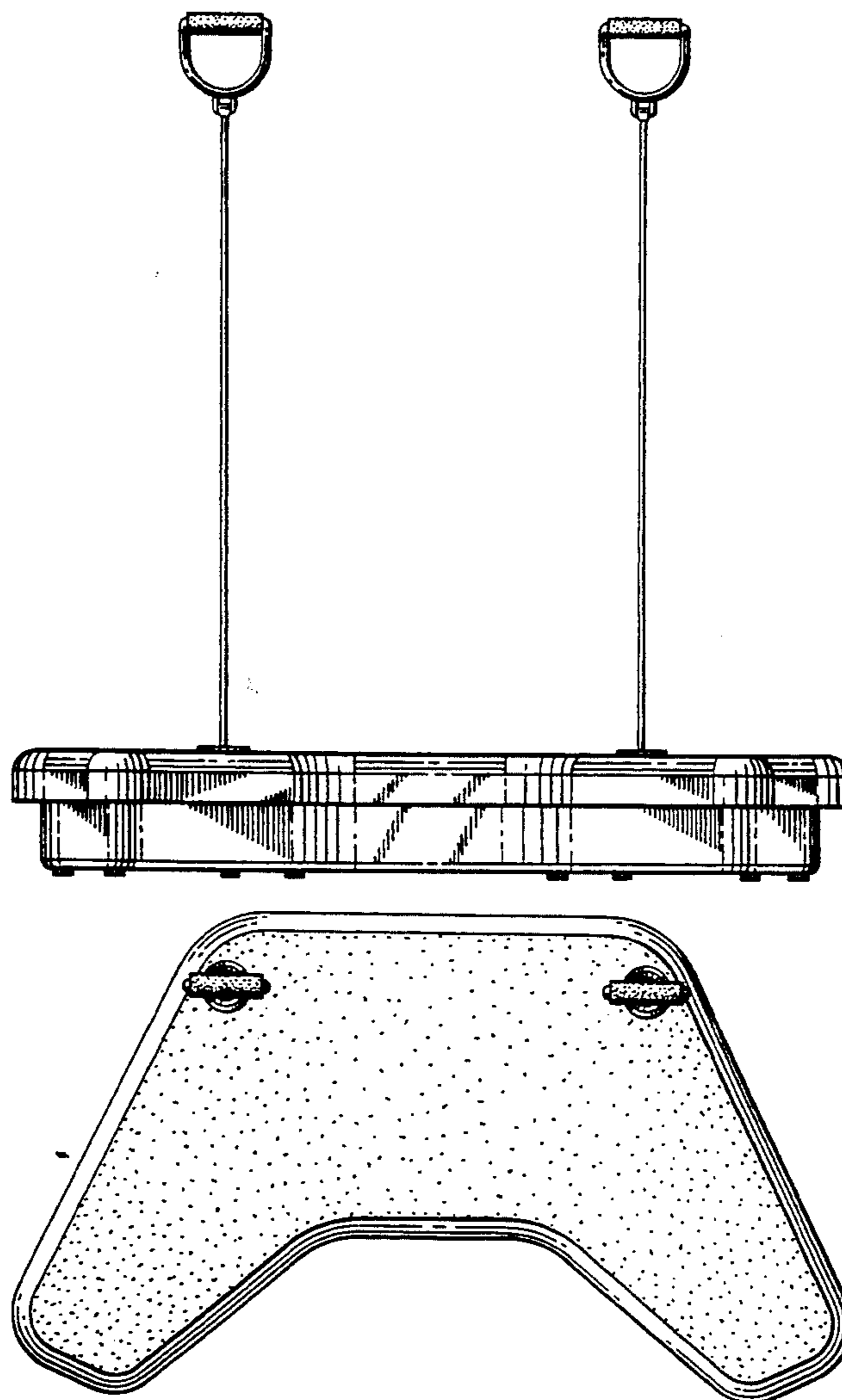


Fig. 2.



Fig. 1.

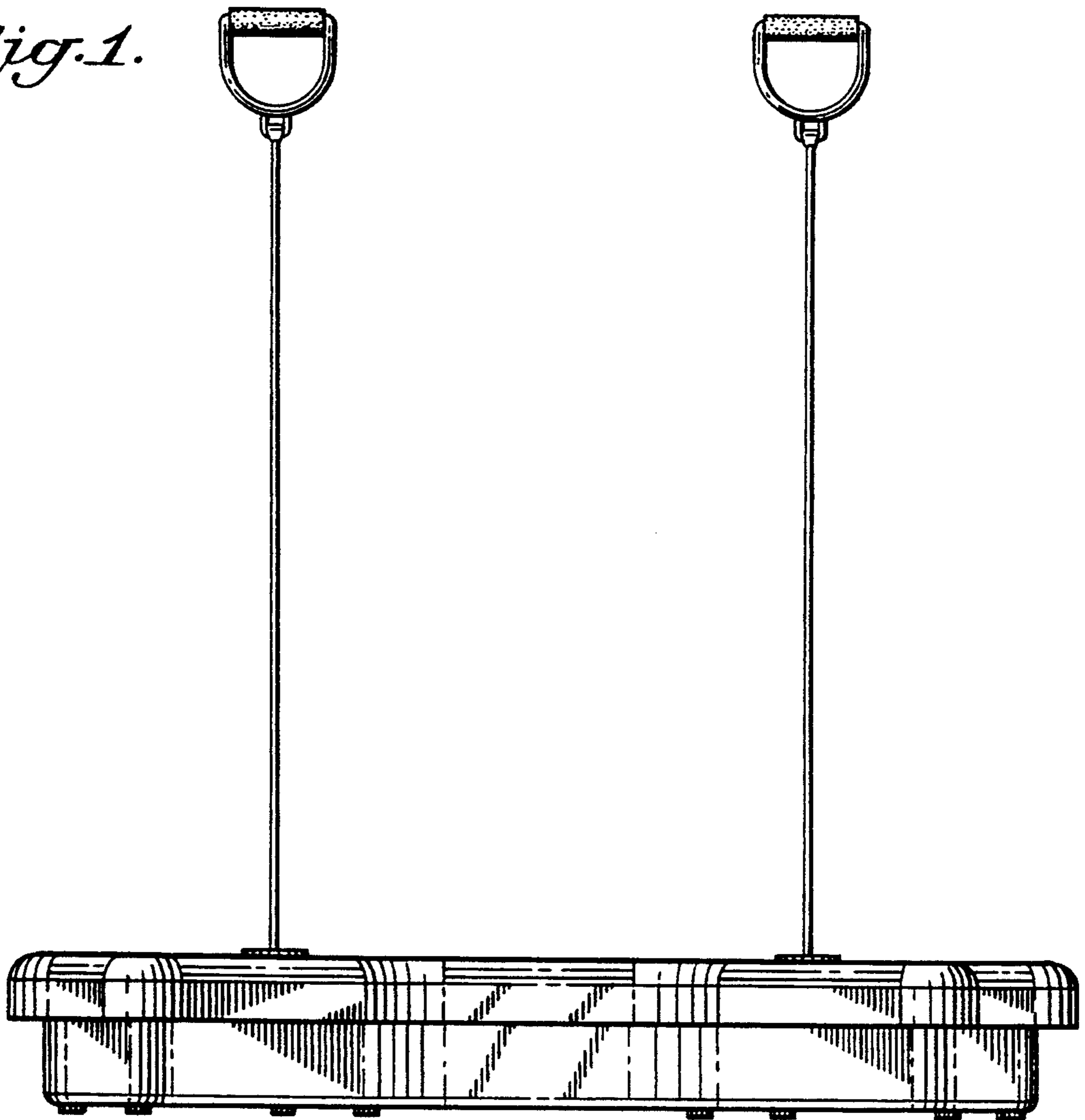


Fig. 3.

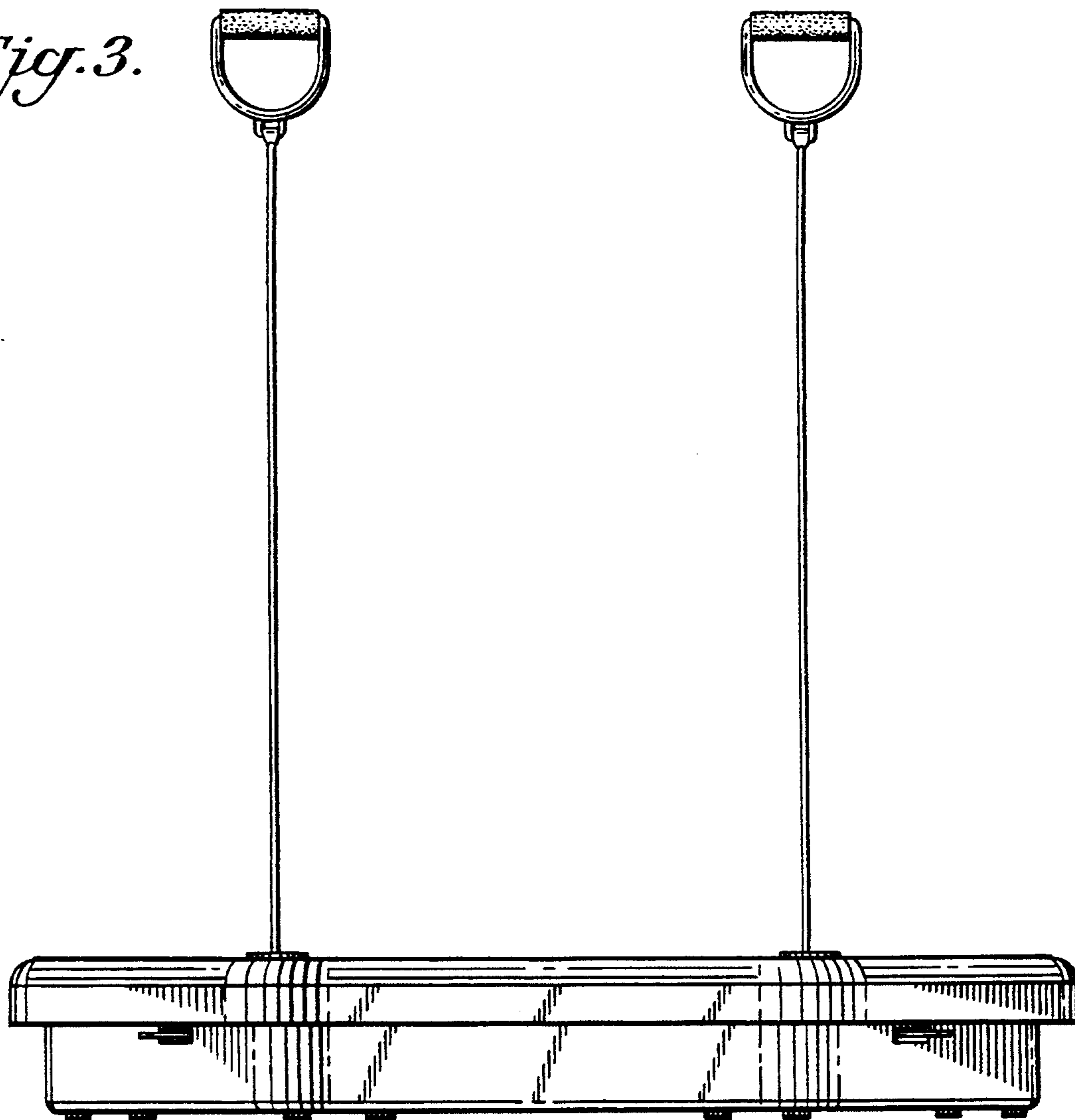


Fig. 4.

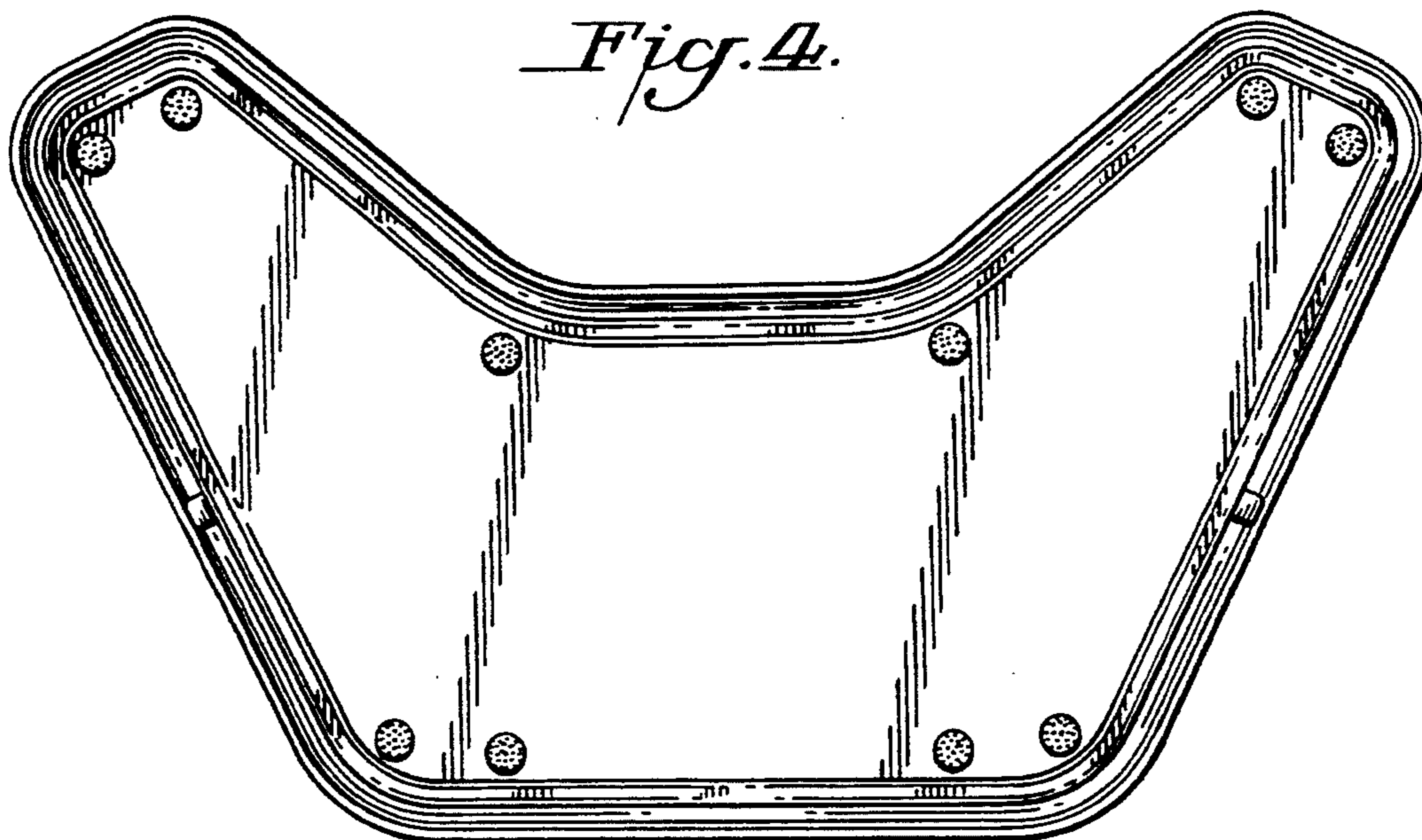


Fig. 5.

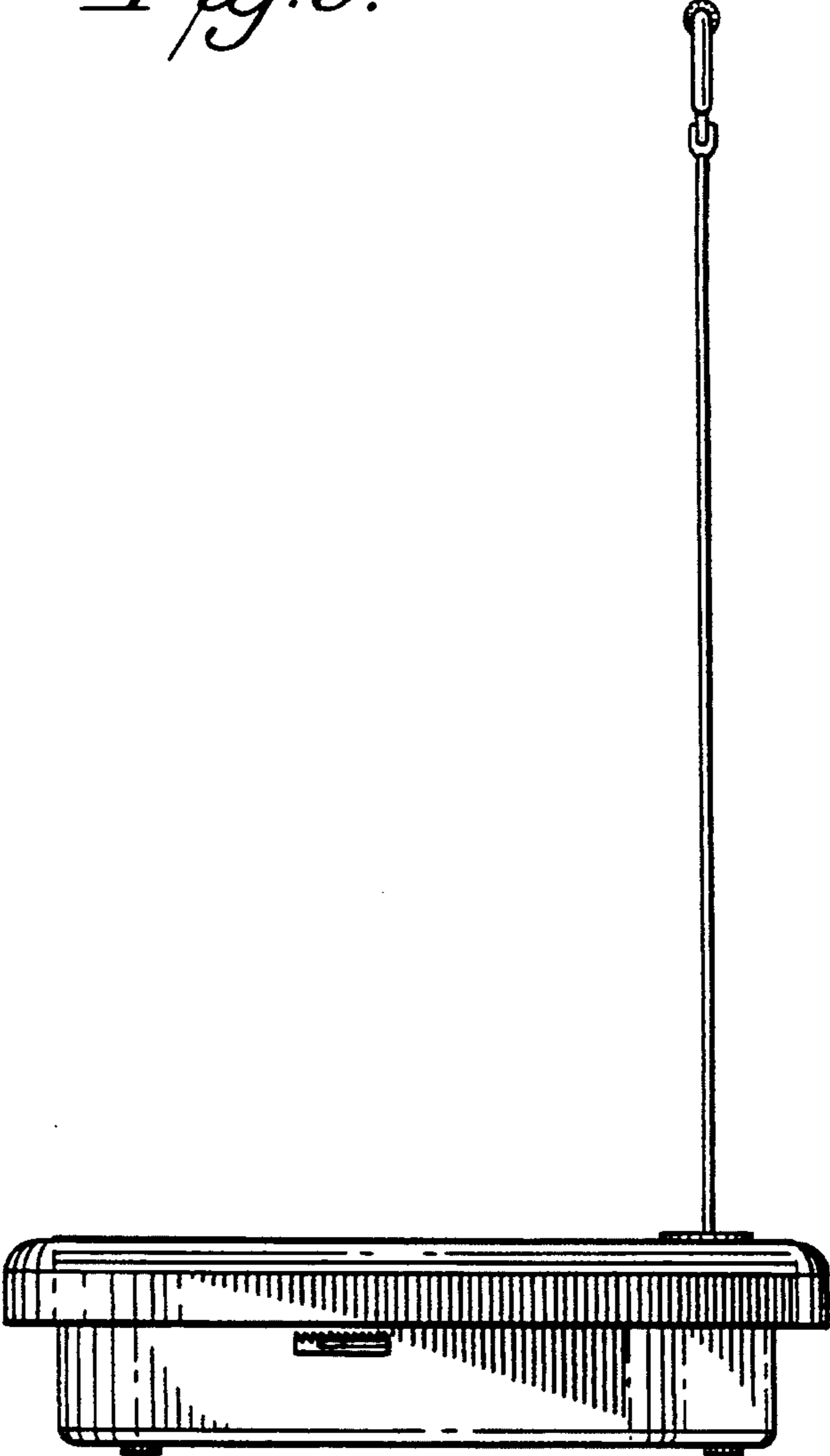


Fig. 6.

