



US00D353416S

United States Patent [19] Gazlay

[11] Patent Number: **Des. 353,416**

[45] Date of Patent: **** Dec. 13, 1994**

[54] **VERTICAL PUZZLE**

DESCRIPTION

[76] Inventor: **Richard E. Gazlay**, 62 Gorman St., Naugatuck, Conn. 06770

[**] Term: **14 Years**

[21] Appl. No.: **13,886**

[22] Filed: **Oct. 5, 1993**

[52] U.S. Cl. **D21/104**

[58] Field of Search 273/153 R, 157 R, 160, 273/156; D21/104, 105

[56] **References Cited**

U.S. PATENT DOCUMENTS

- 2,491,296 5/1946 Beder .
- 2,493,697 1/1950 Raczkowski .
- 3,302,311 2/1967 Israel .
- 3,565,443 2/1971 Klein .
- 4,373,729 2/1983 Hanson et al. .
- 4,418,915 12/1983 Calebs .
- 4,815,742 3/1989 Augustine .
- 4,830,376 5/1989 Willis 273/157 R
- 4,934,701 6/1990 Ting .
- 5,145,177 9/1992 Wells .

FOREIGN PATENT DOCUMENTS

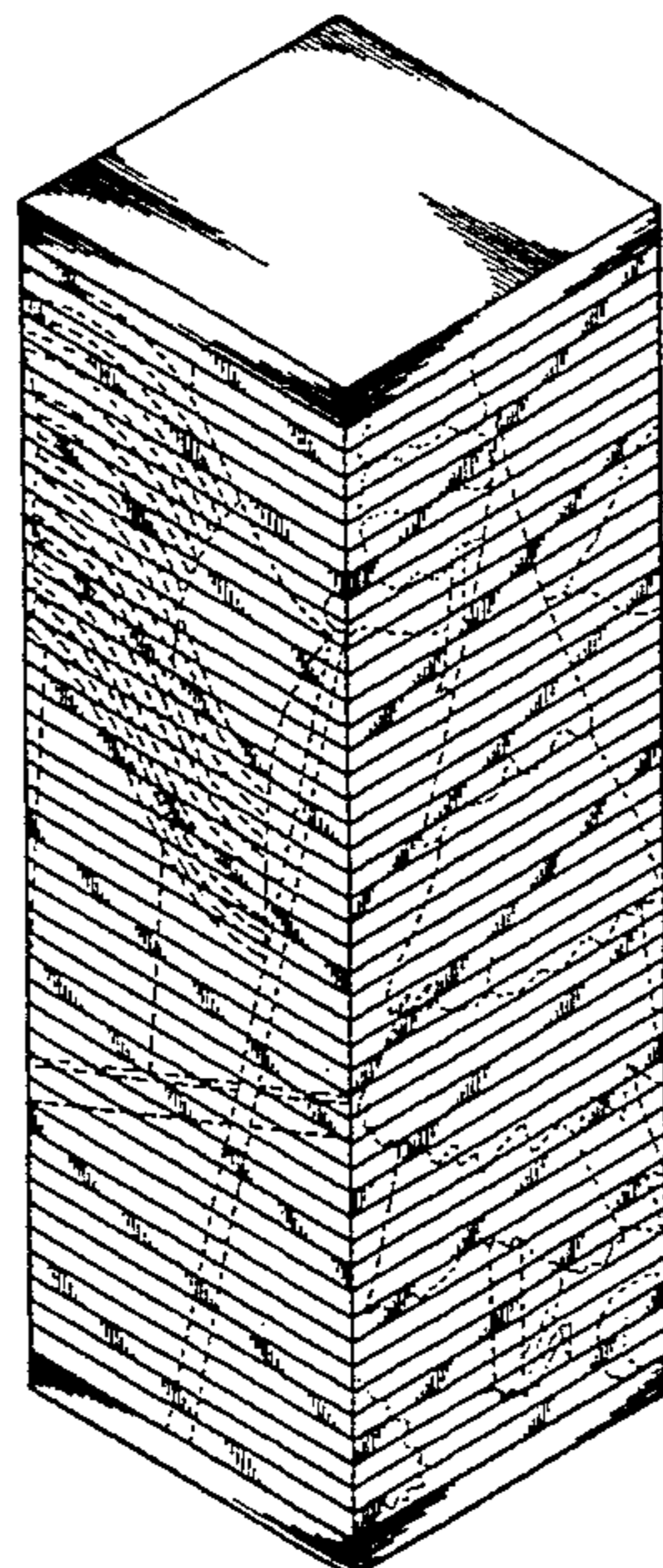
- 1290228 of 0000 France .
- 0652969 of 0000 United Kingdom .

Primary Examiner—Bernard Ansher
Assistant Examiner—Dominic Simone
Attorney, Agent, or Firm—Richard C. Litman

[57] **CLAIM**

The ornamental design for a vertical puzzle, as shown and described.

FIG. 1 is a front perspective view of a vertical puzzle showing my new design;
 FIG. 2 is a bottom perspective view of the top plate, shown separately for clarity of illustration;
 FIG. 3 is a bottom perspective view of a typical inner plate, shown separately for clarity of illustration;
 FIG. 4 is a top perspective view of a typical inner plate, shown separately for clarity of illustration;
 FIG. 5 is a top perspective view of the bottom plate, shown separately for clarity of illustration;
 FIG. 6 is a top plan view of FIG. 1, the bottom being identical;
 FIG. 7 is a front elevational view of FIG. 1, all sides being identical;
 FIG. 8 is a bottom plan view of a typical inner plate, shown separately for clarity of illustration, the bottom plan of the top plate being identical;
 FIG. 9 is a front elevational view of the top plate, all sides being identical, shown separately for clarity of illustration;
 FIG. 10 is a right side elevational view of a typical inner plate, the left side being identical, shown separately for clarity of illustration;
 FIG. 11 is a front elevational view of a typical inner plate, the rear being identical, shown separately for clarity of illustration;
 FIG. 12 is a right side elevational view of the bottom plate, the left side being identical, shown separately for clarity of illustration;
 FIG. 13 is a front elevational view of the bottom plate, the rear being identical, shown separately for clarity of illustration; and,
 FIG. 14 is a top plan view of a typical inner plate, shown separately for clarity of illustration, the top plan of the bottom plate being identical.
 The broken line showing of designs on the sides of the puzzle in FIG. 1 is for illustrative purposes only and forms no part of the claimed design.



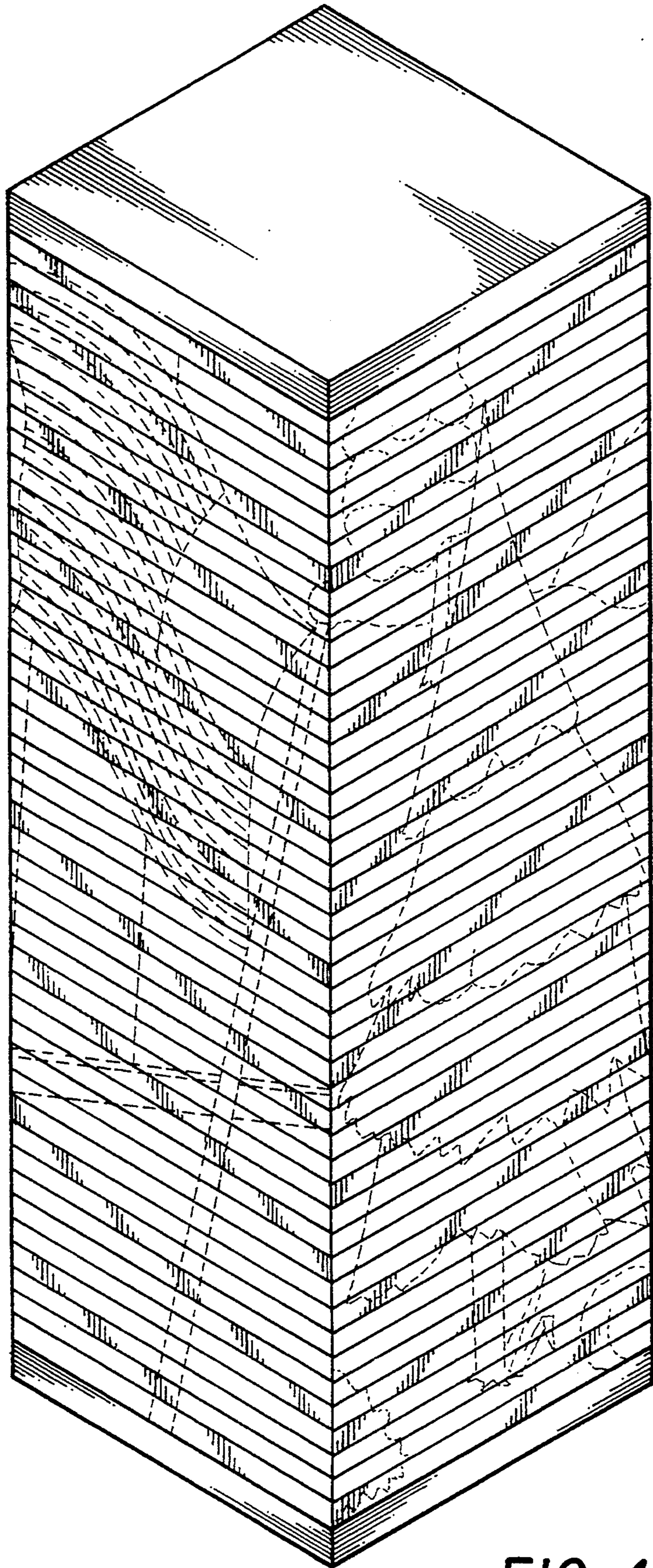


FIG. 1

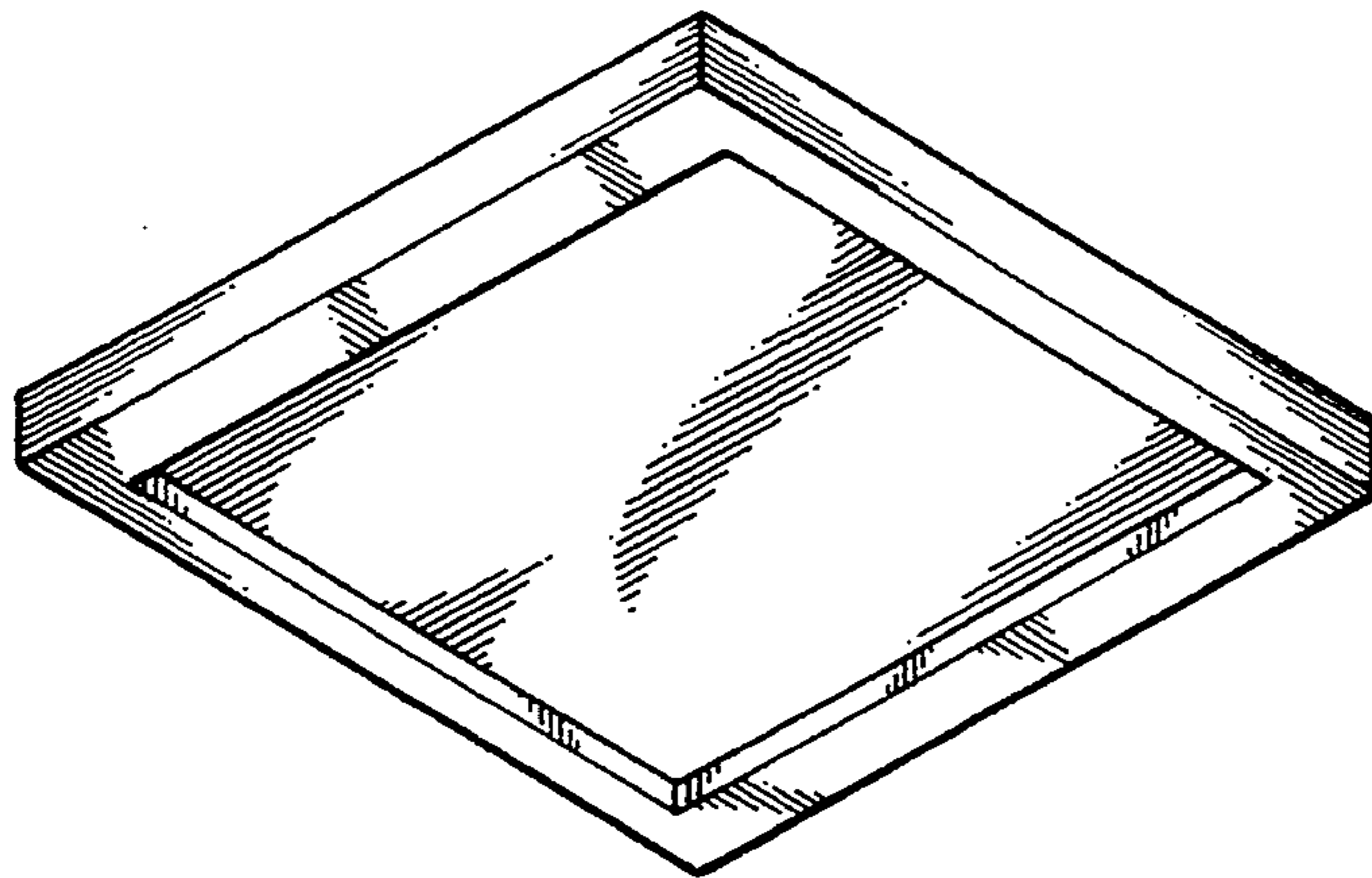


FIG. 2

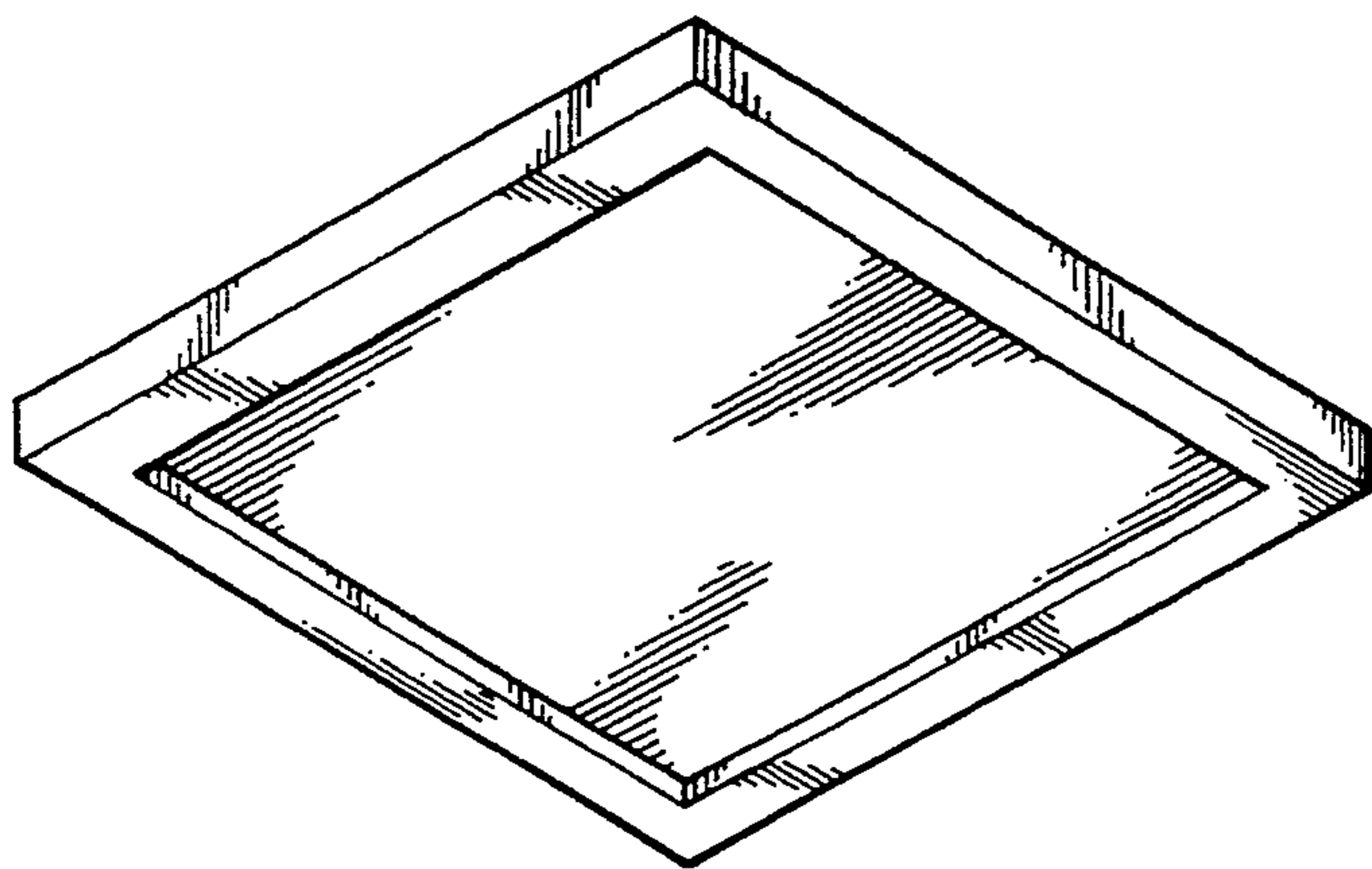


FIG. 3

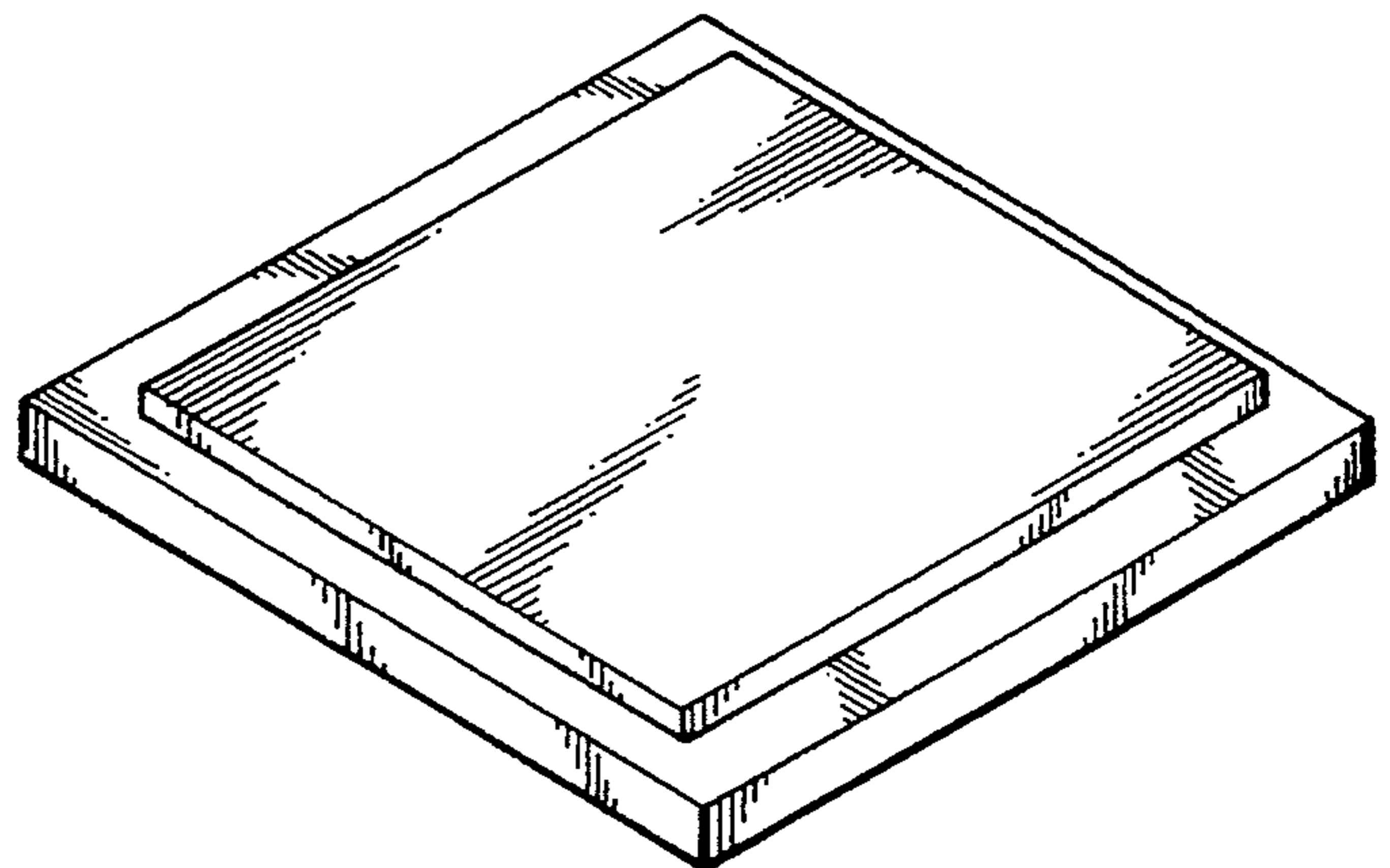


FIG. 4

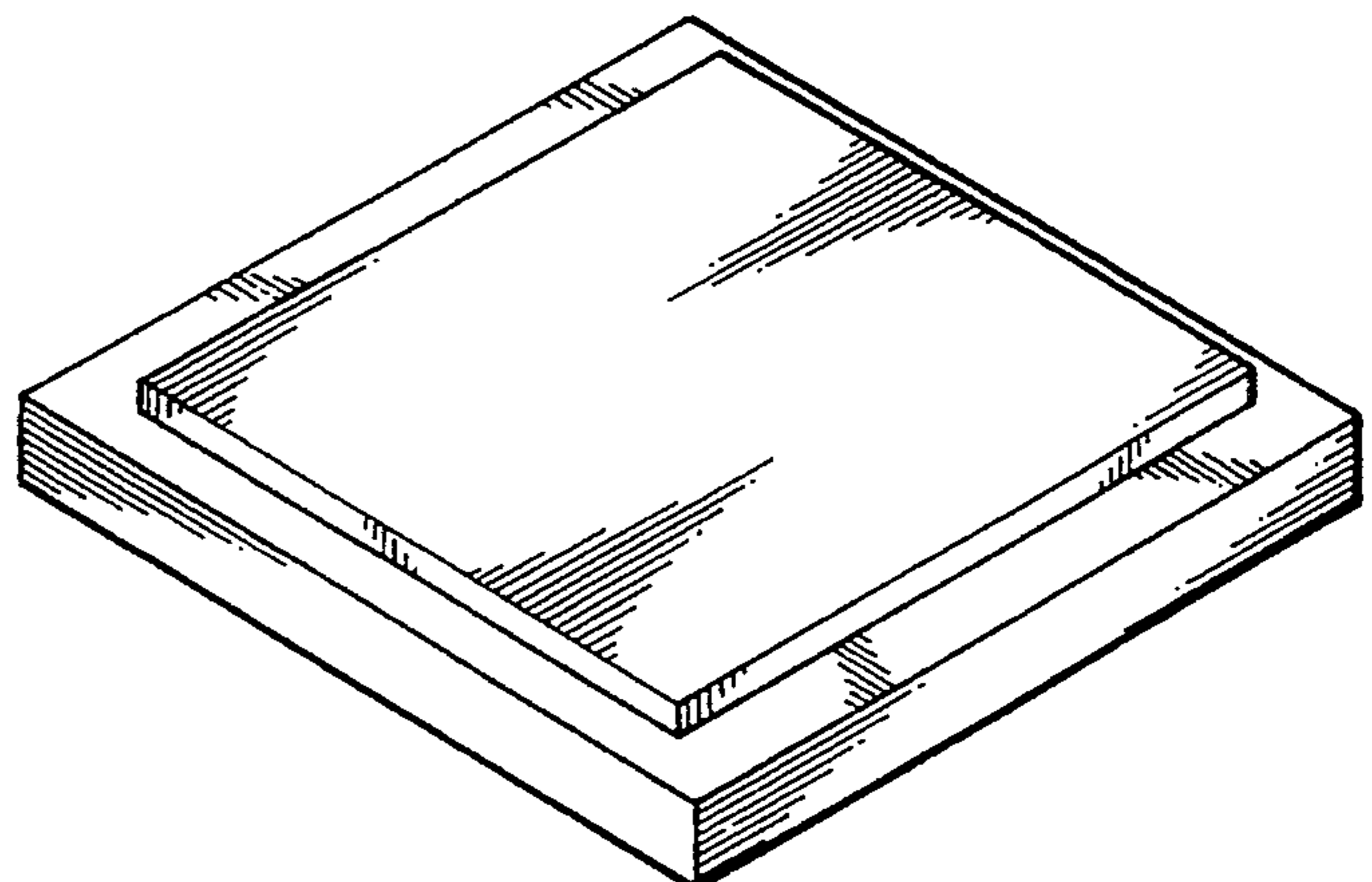


FIG. 5

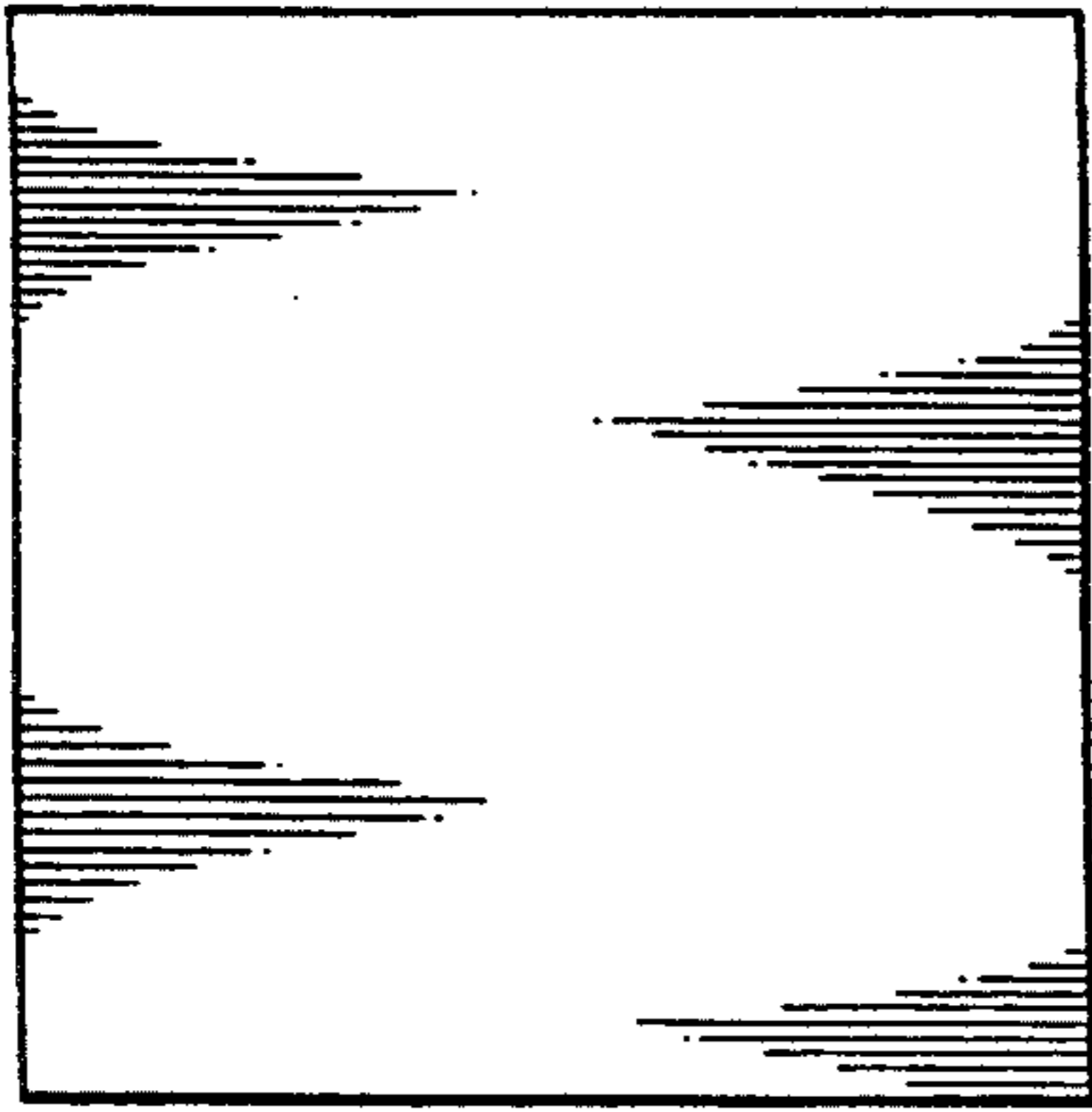


FIG. 6

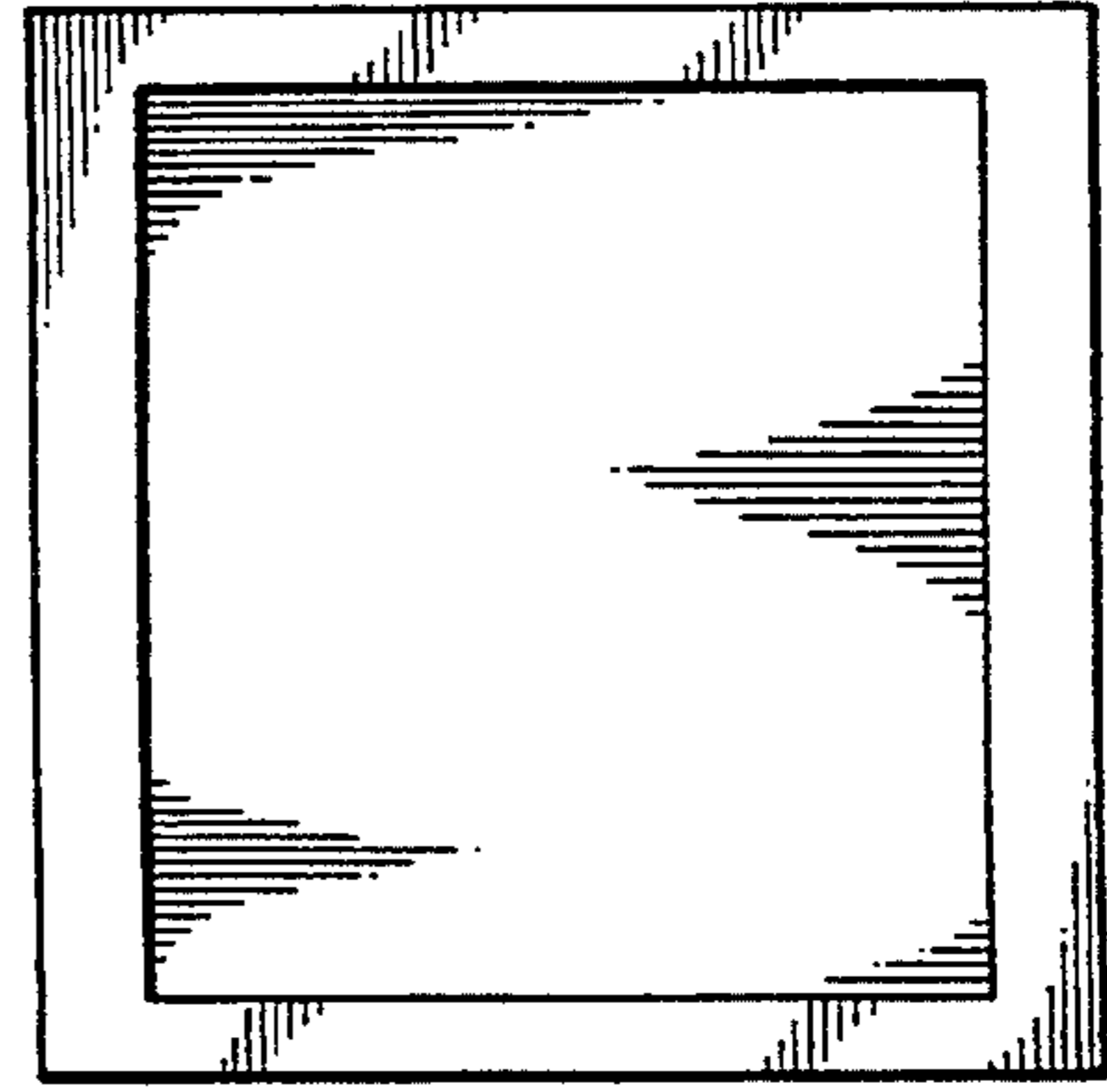


FIG. 8

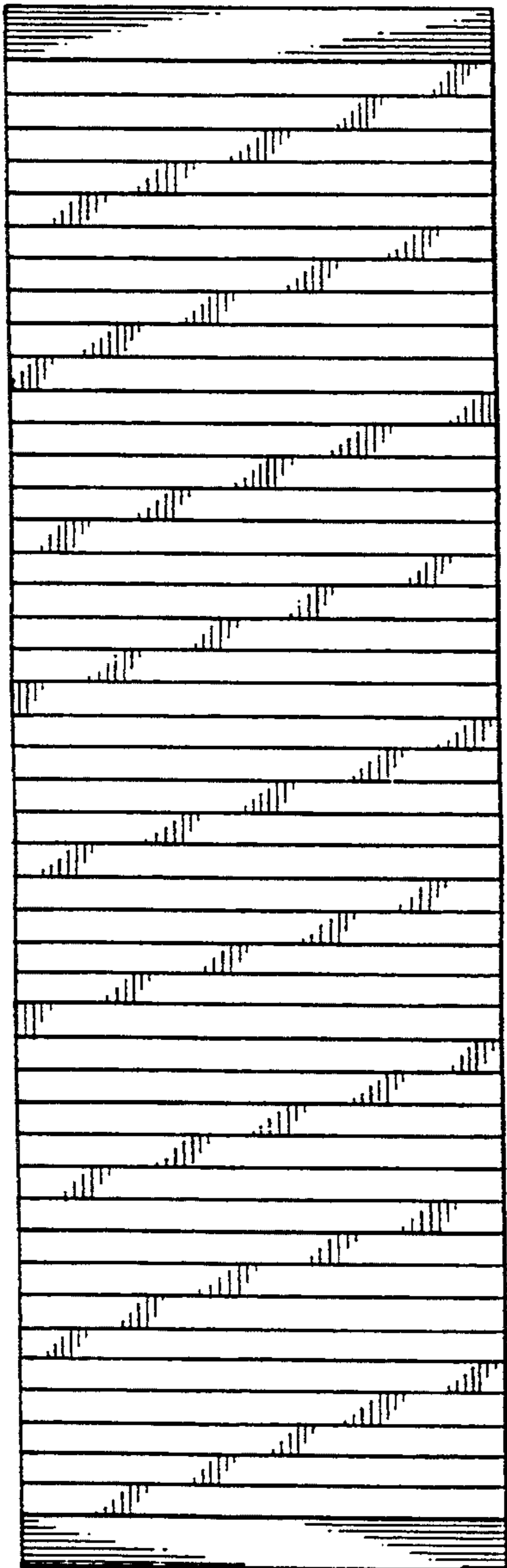


FIG. 7

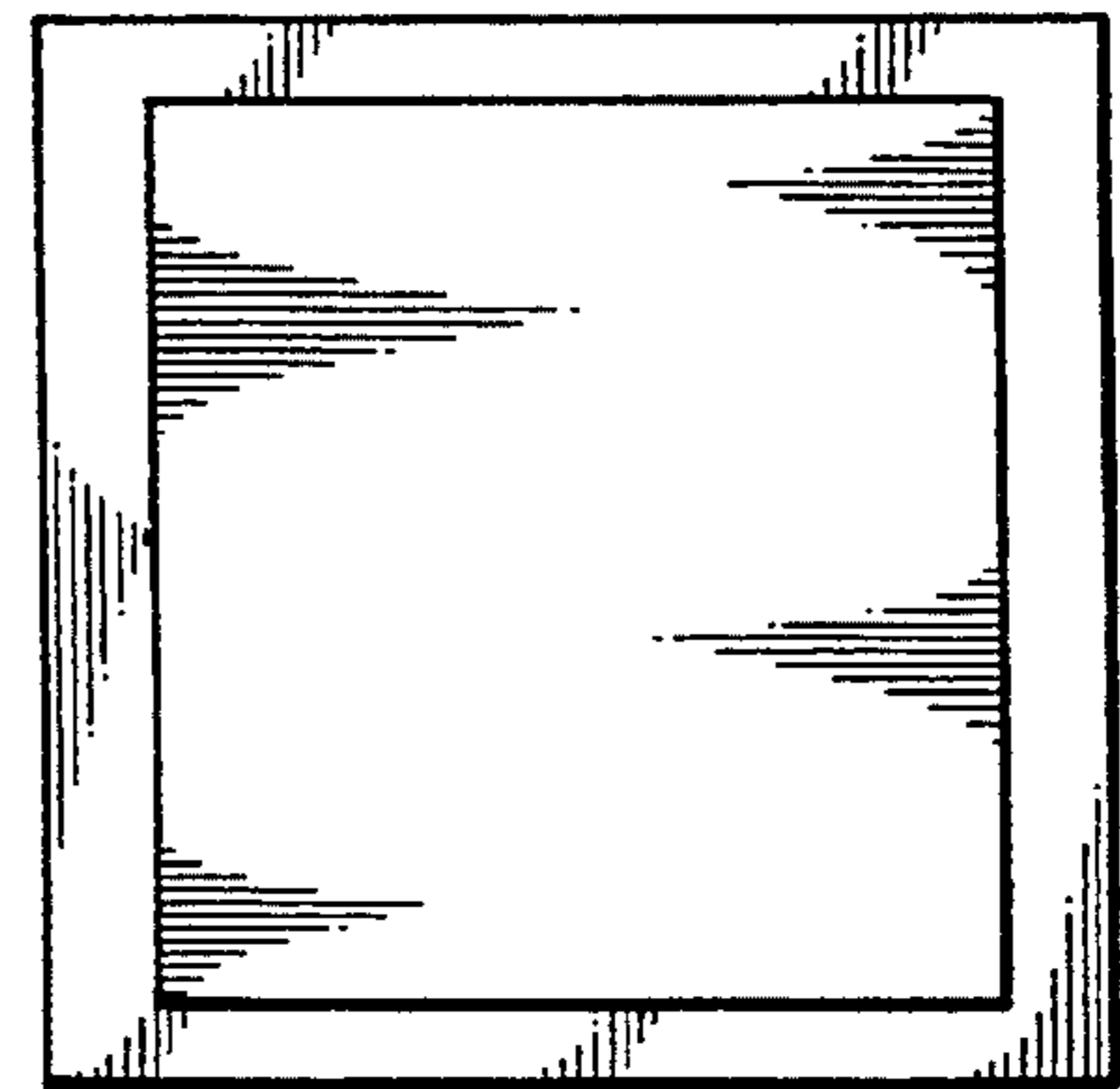
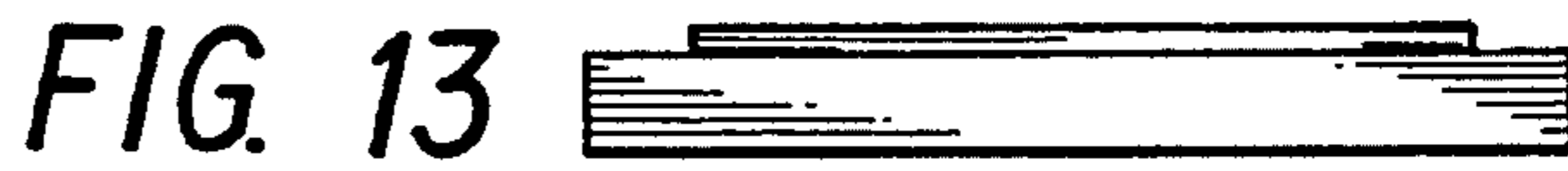
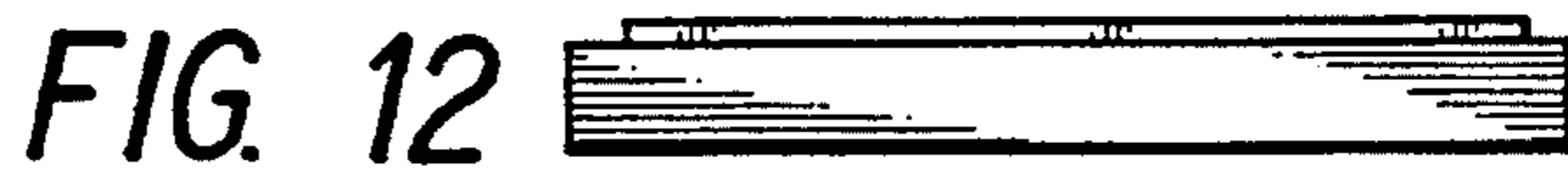
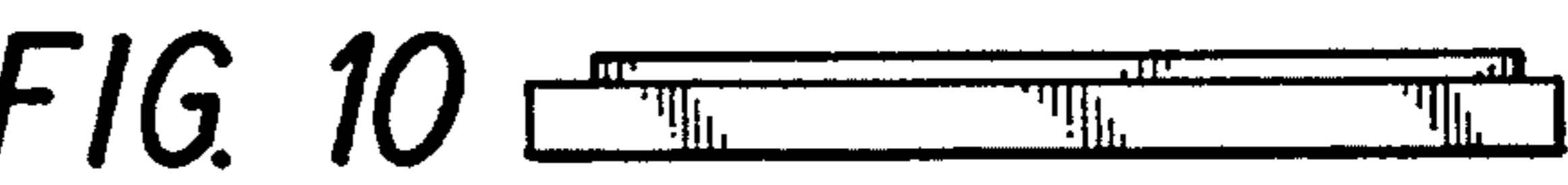


FIG. 14