



US00D353413S

United States Patent [19]
Hamlin

[11] **Patent Number: Des. 353,413**

[45] **Date of Patent: ** Dec. 13, 1994**

[54] **TOY CAR**

[56] **References Cited**

[75] **Inventor: John Hamlin, Costa Mesa, Calif.**

[73] **Assignee: Namkung Promotions Inc., Costa Mesa, Calif.**

[**] **Term: 14 Years**

[21] **Appl. No.: 8,390**

[22] **Filed: Jun. 28, 1993**

[52] **U.S. Cl. D21/78**

[58] **Field of Search** 446/29, 93-94,
446/96, 128, 211, 434, 451, 468; 280/87.01,
87.021, 47.38, 1.206, 1.207, 1.23, 1.13, 281.1,
282; D21/71, 74, 76, 78, 80, 128, 133-137, 140,
141, 148; D12/112

U.S. PATENT DOCUMENTS

- D. 102,058 11/1936 Kraeft D21/78
- D. 169,541 5/1953 Handler D21/136
- D. 191,873 12/1961 Janosko D21/74
- D. 202,180 9/1965 Exner D21/136
- D. 339,175 9/1993 Li D21/76

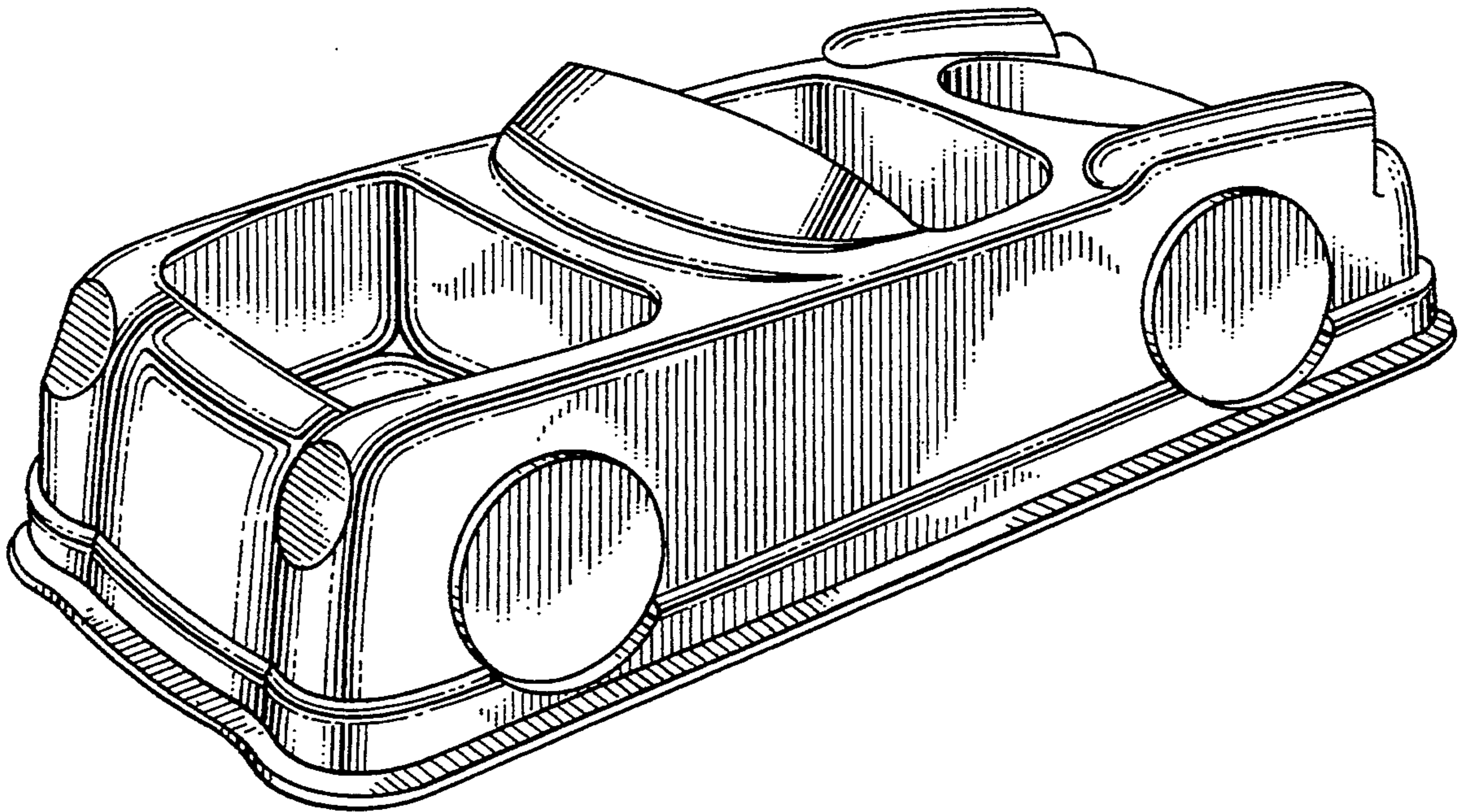
Primary Examiner—Bernard Ansher
Assistant Examiner—R. Barkai
Attorney, Agent, or Firm—J. E. Brunton

[57] **CLAIM**

The ornamental design for a toy car, as shown.

DESCRIPTION

FIG. 1 is a perspective view of a toy car showing my new design;
FIG. 2 is a front view thereof;
FIG. 3 is a rear view thereof;
FIG. 4 is a top plan view thereof; and,
FIG. 5 is a side view thereof, the side opposite being a mirror image.



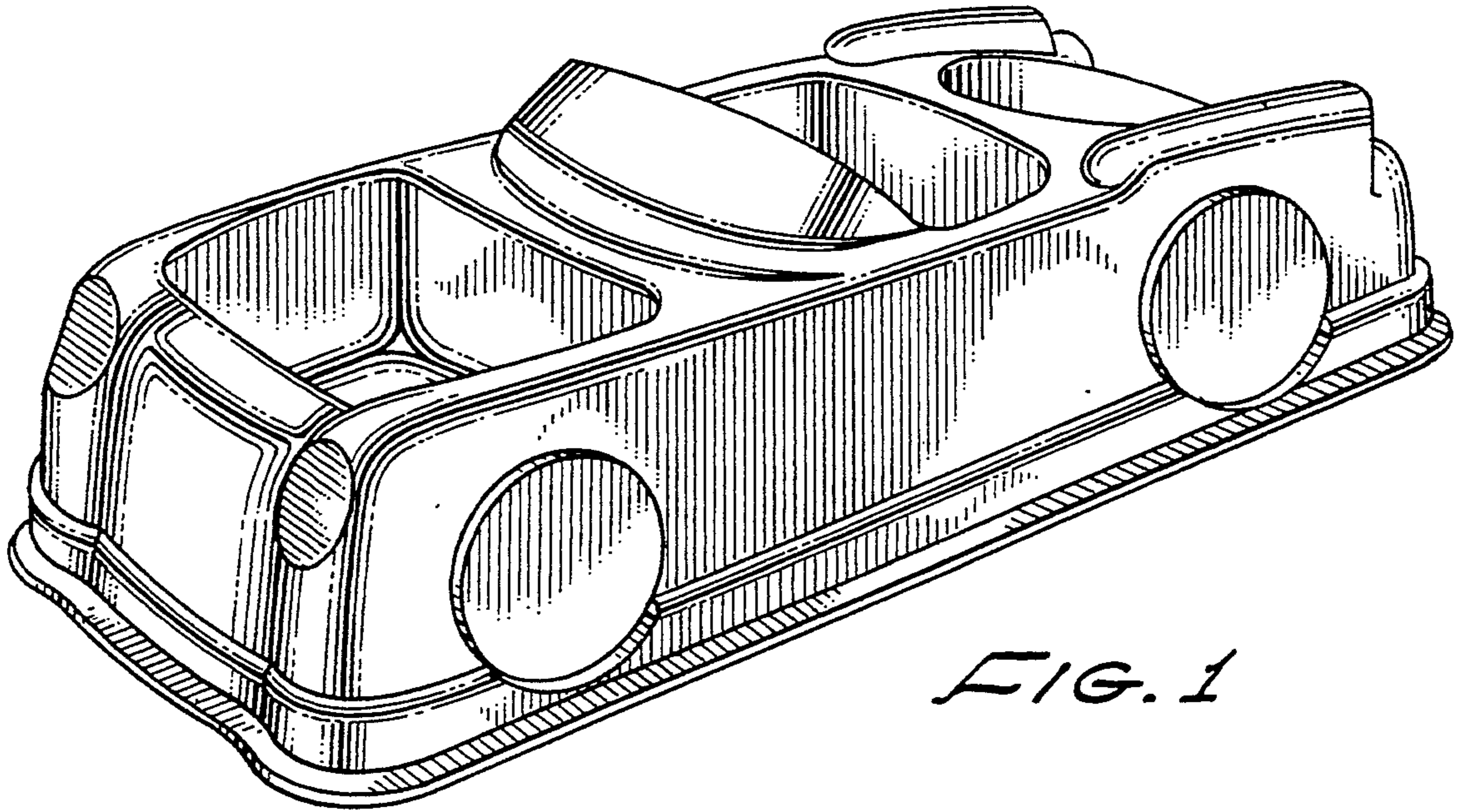


FIG. 1

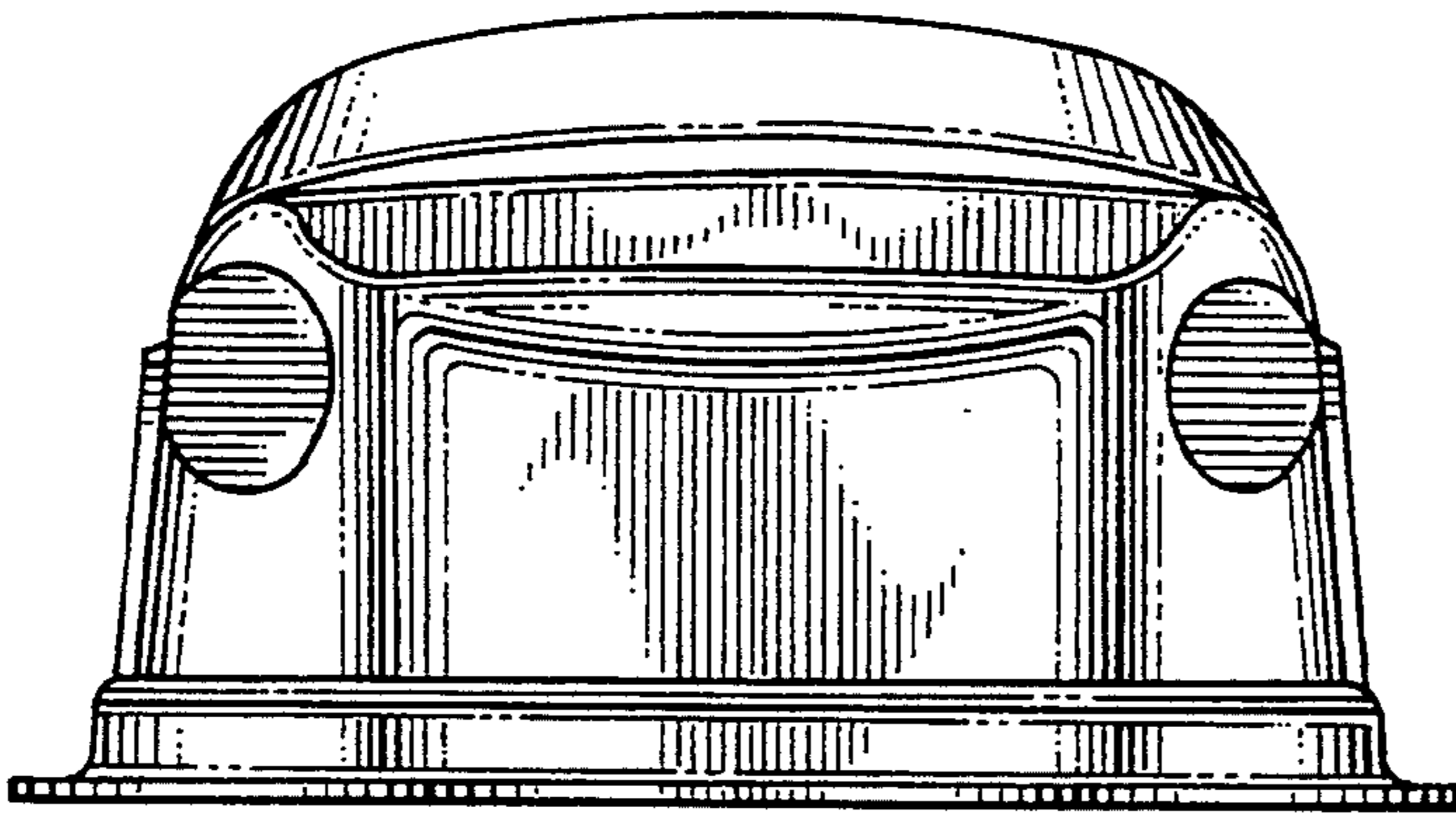


FIG. 2

FIG. 3

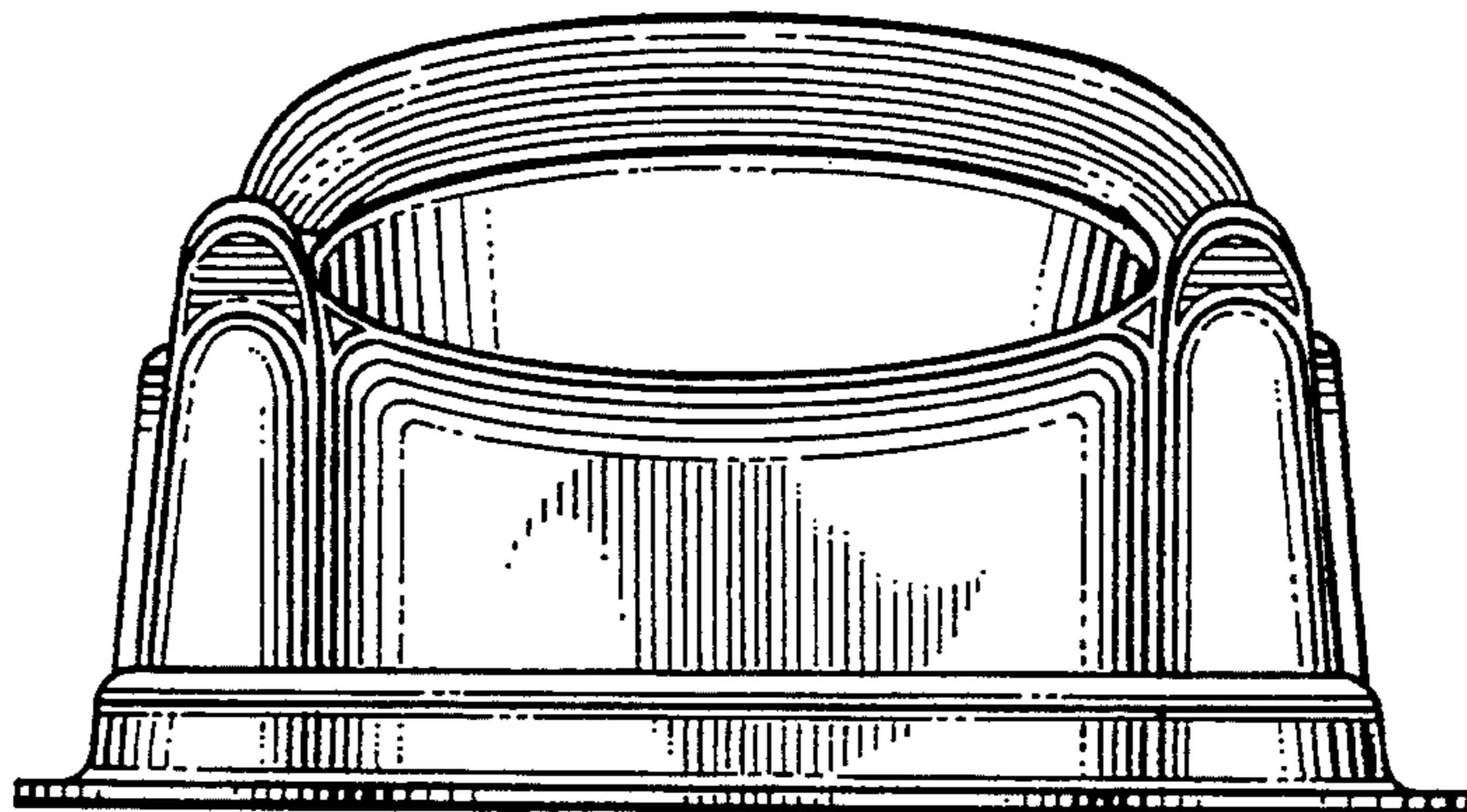


FIG. 4

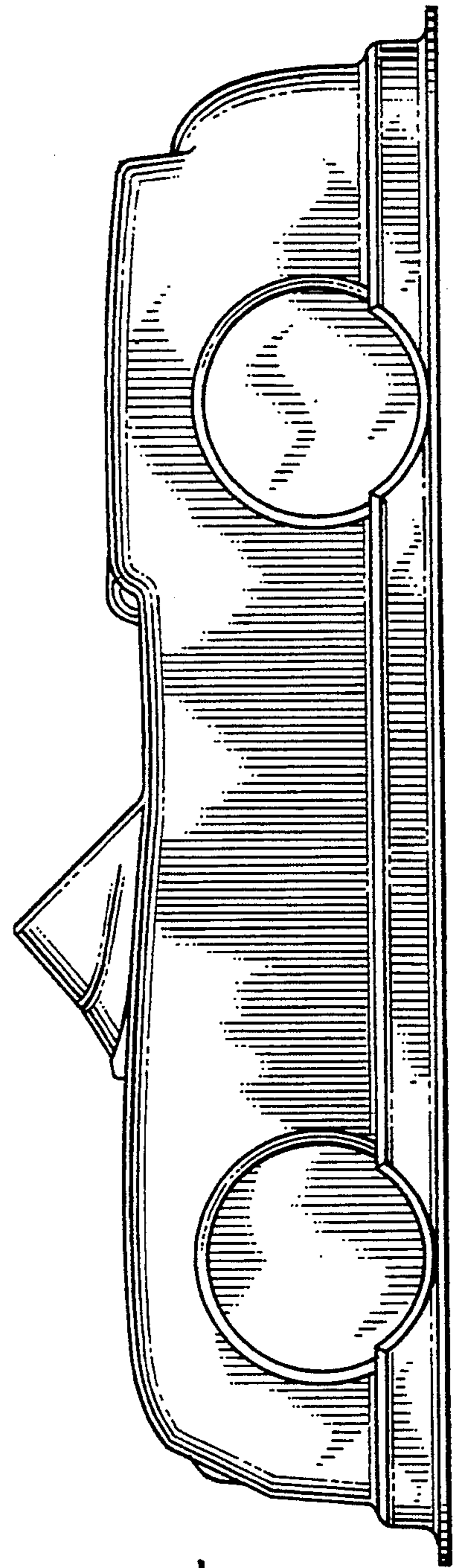
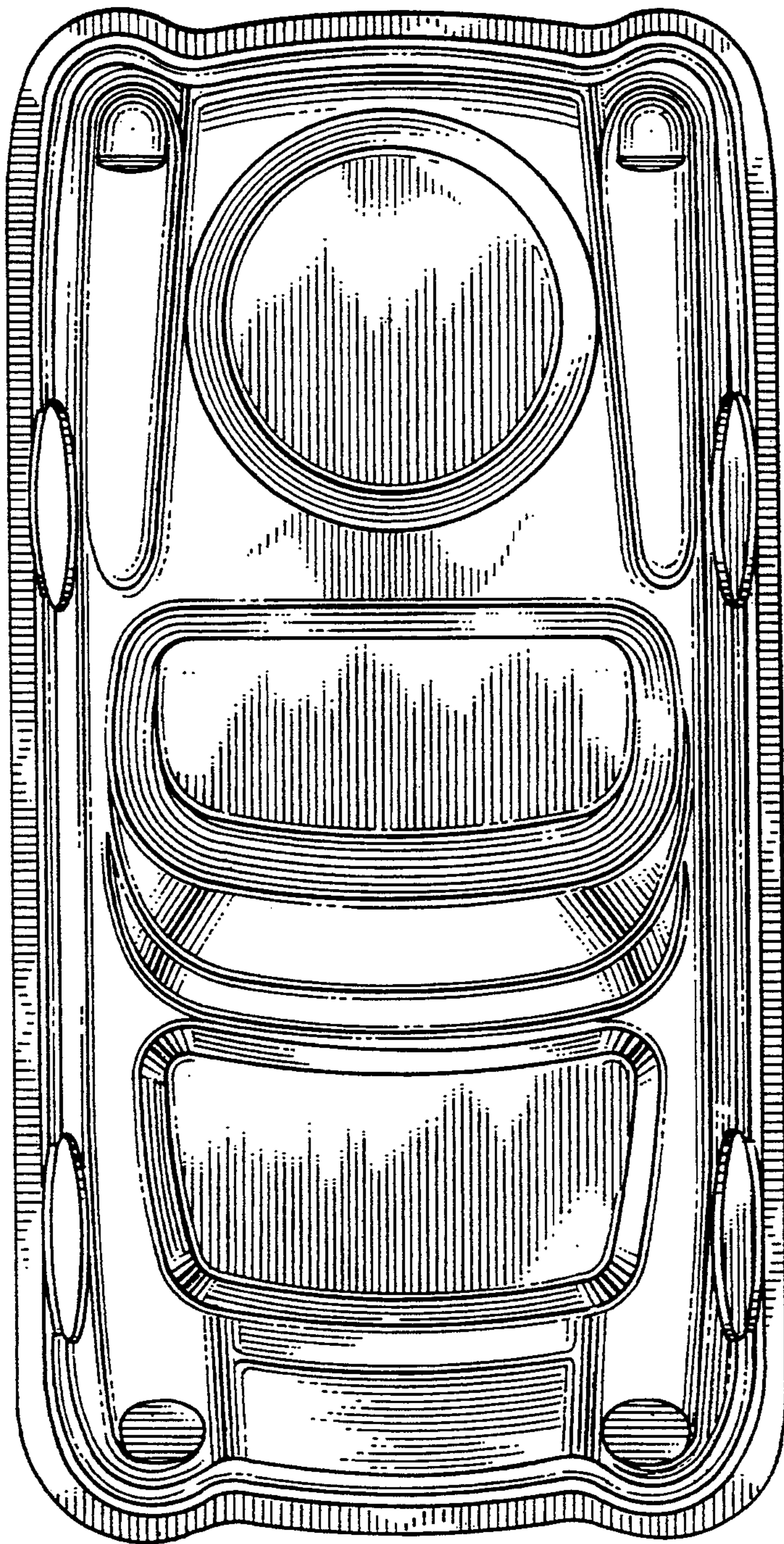


FIG. 5