



US00D353412S

United States Patent [19]

[11] Patent Number: **Des. 353,412**

Bull et al.

[45] Date of Patent: **** Dec. 13, 1994**

[54] **PLAYING CARD HOLDER**

1,685,723	9/1928	Robins	273/272
2,742,292	4/1956	McDonough	273/150
2,785,901	3/1957	McLemore	273/150
4,470,821	9/1984	Le Capelain	273/272

[75] Inventors: **Arthur E. Bull**, Mt. Dora, Fla.;
by **Lawrence E. Bull**, personal
representative

Primary Examiner—Melvin B. Feifer
Assistant Examiner—Sandra Morris
Attorney, Agent, or Firm—Robert J. Fay

[73] Assignees: **Lawrence E. Bull**, Phoenixville, Pa.;
Janis P. Marcotte, O'Fallon, Ill.

[57] **CLAIM**

[**] Term: **14 Years**

The ornamental design for playing card holder, as shown.

[21] Appl. No.: **899,928**

DESCRIPTION

[22] Filed: **Jun. 17, 1992**

[52] U.S. Cl. **D21/54; D21/57**

FIG. 1 is a right hand perspective view of the playing card holder;

[58] Field of Search 273/236-285,
273/148 A, 150; D21/48, 54-57

FIG. 2 is an end view (both right hand & left hand end views are the same) thereof;

FIG. 3 is a front view thereof;

FIG. 4 is a top view thereof;

FIG. 5 is a bottom view thereof; and,

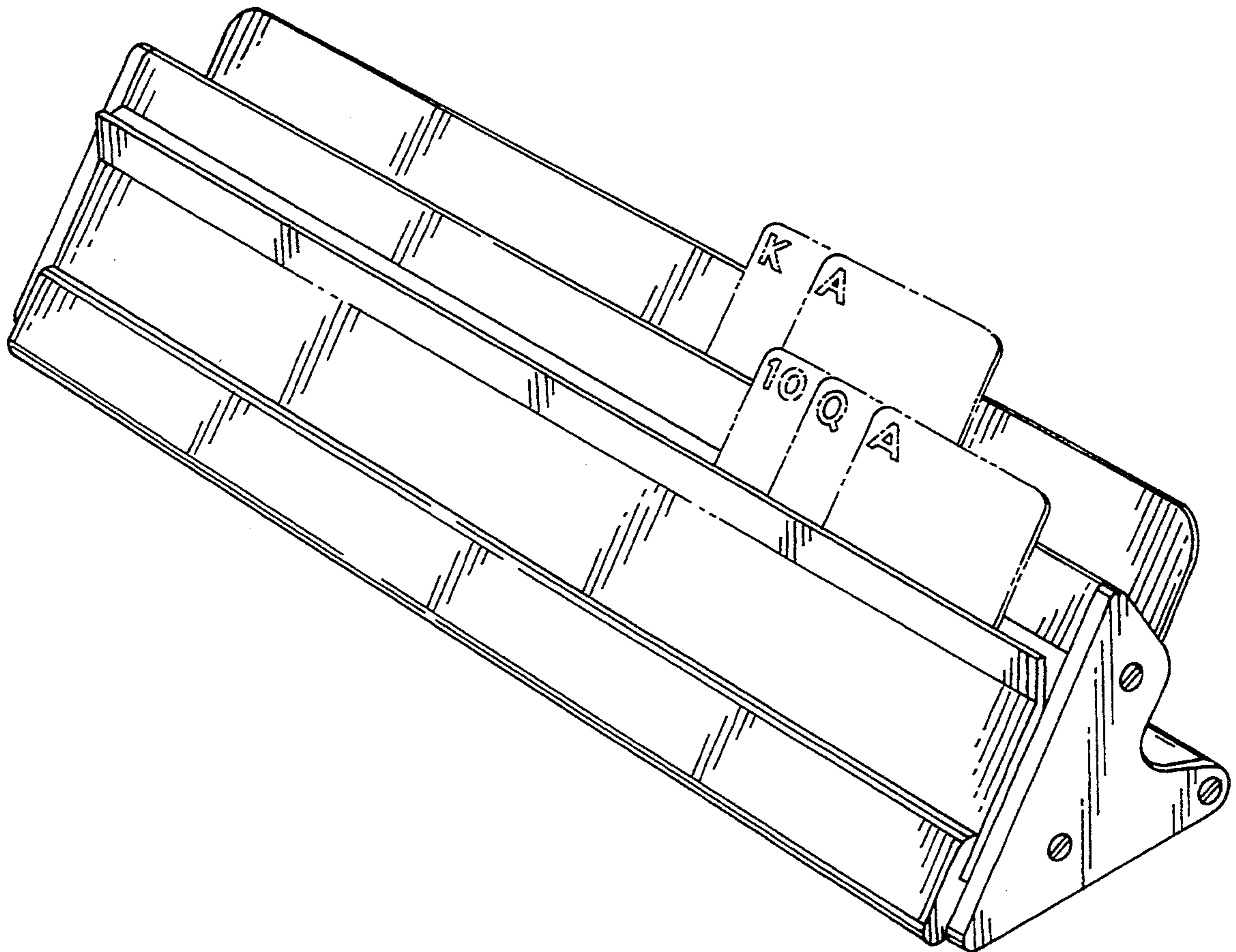
FIG. 6 is a rear view thereof.

The broken line showing of the playing cards is for illustrative purposes only, and forms no part of the claimed design.

[56] **References Cited**

U.S. PATENT DOCUMENTS

D. 286,167	10/1986	Greitzer	D21/54
D. 311,578	10/1990	MacIsaac	D21/54
1,460,791	7/1923	Cunningham	273/150
1,479,350	1/1924	Wiel	D21/57
1,508,082	9/1924	Boepler	D21/57



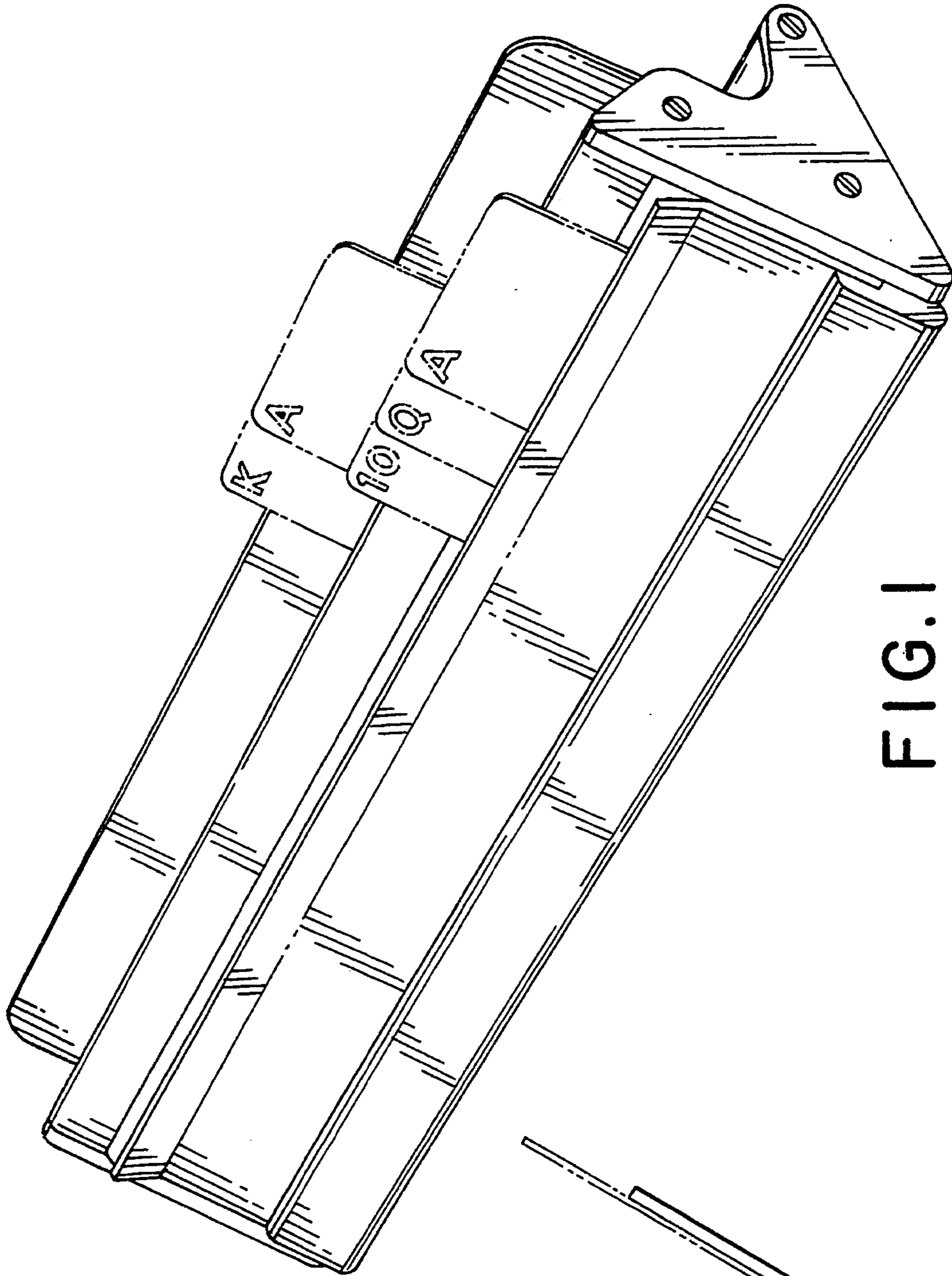


FIG. 1

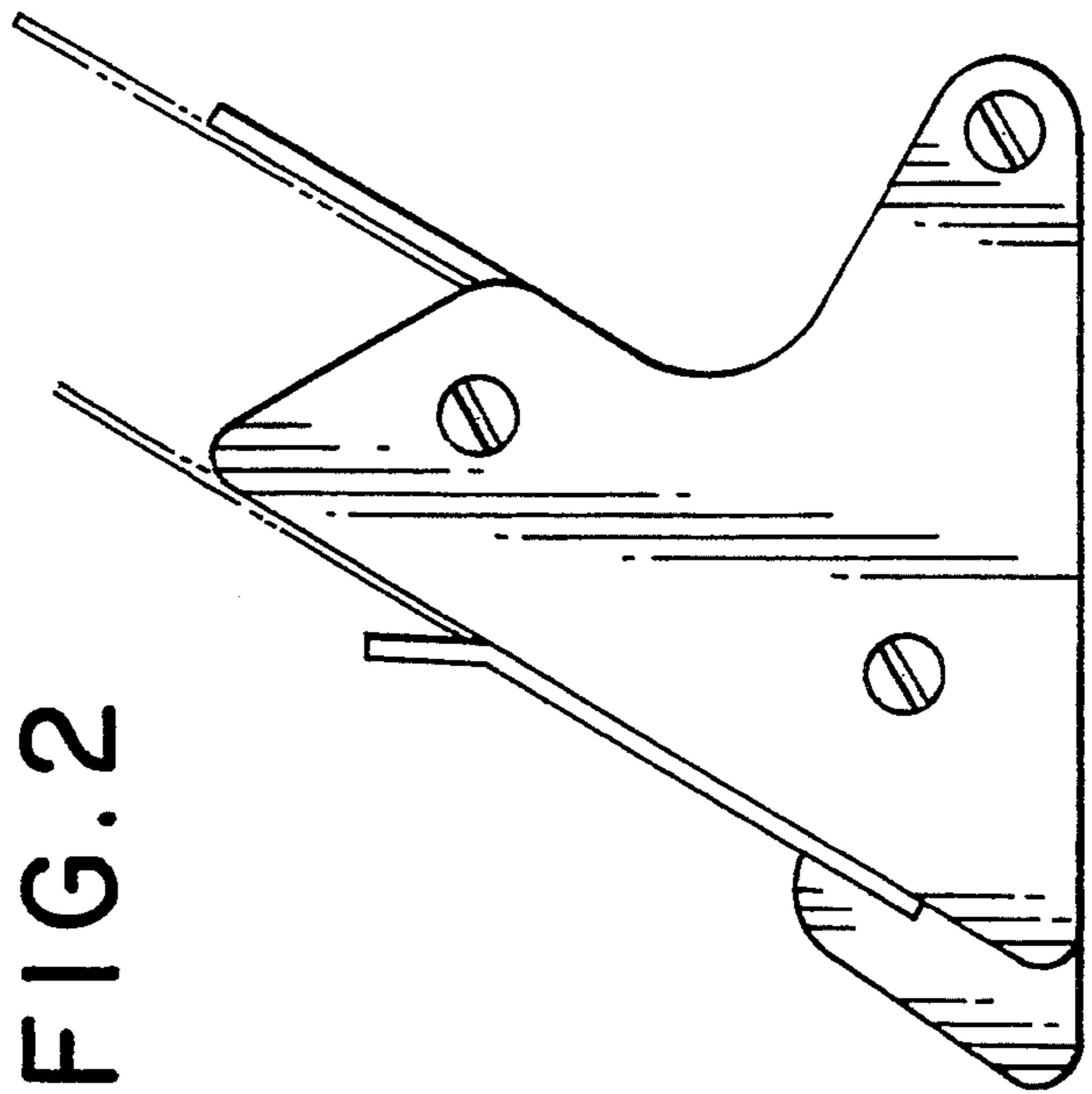


FIG. 2

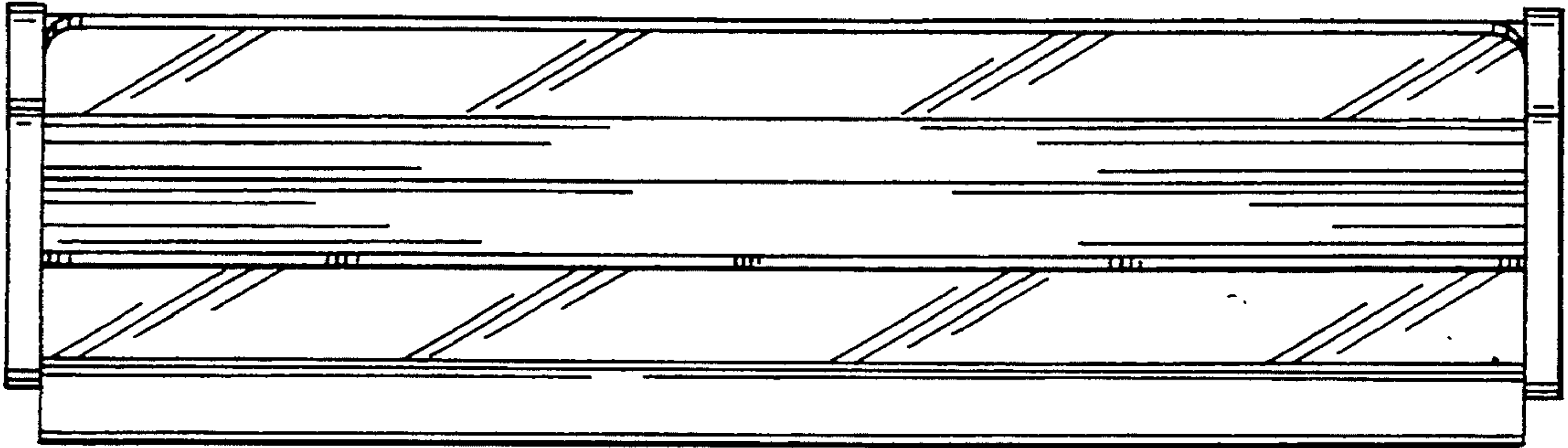


FIG. 4

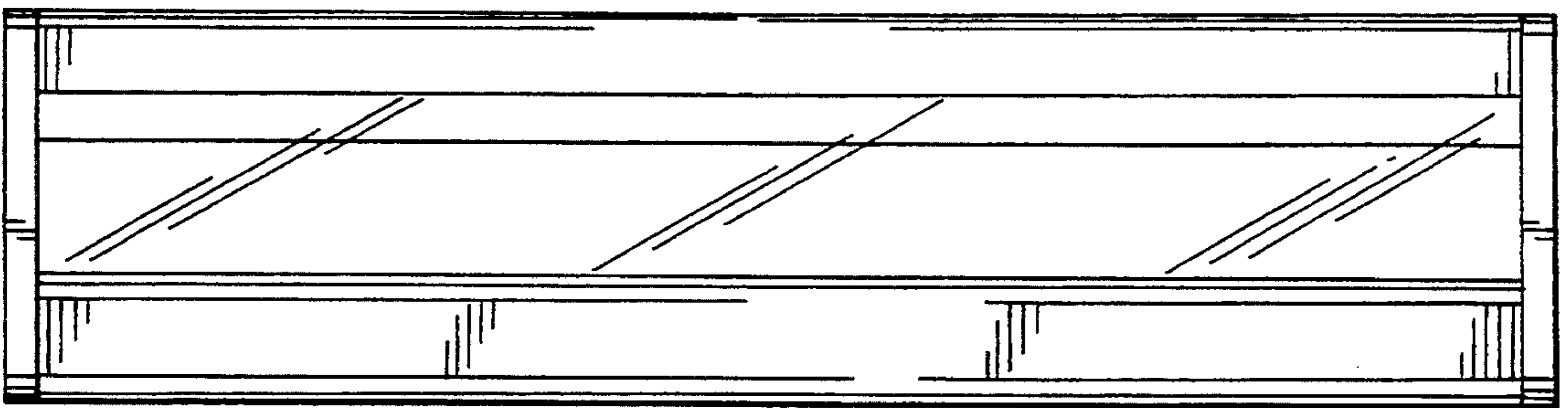


FIG. 3

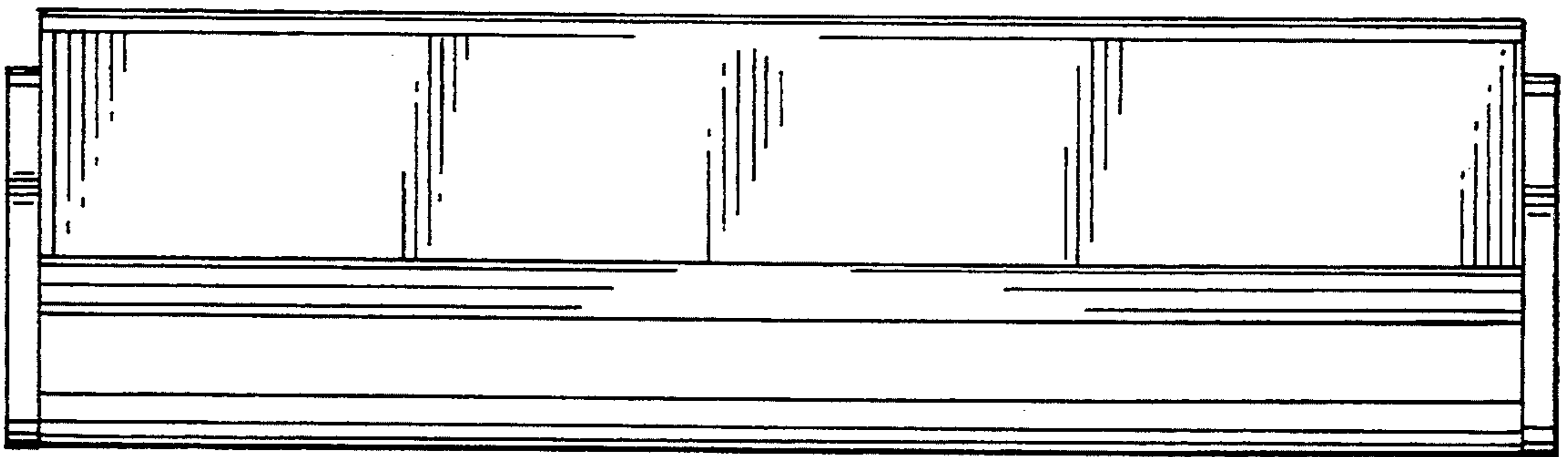


FIG. 5

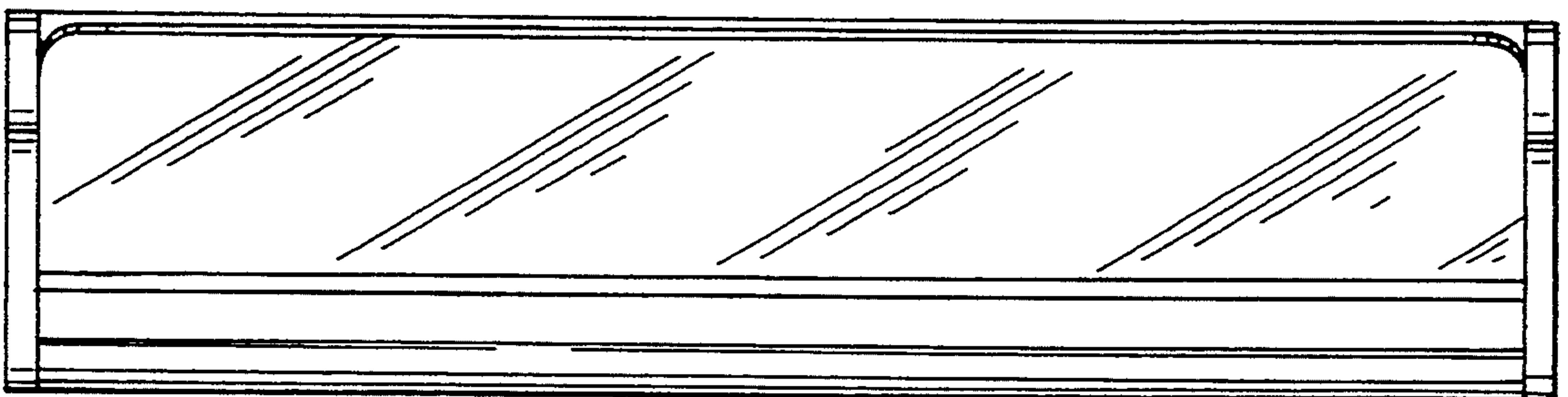


FIG. 6