



US00D353409S

United States Patent [19]

[11] Patent Number: Des. 353,409

Obata

[45] Date of Patent: ** Dec. 13, 1994

[54] AUDIO CARD PLAYER FOR A GAME

[75] Inventor: Shinichi Obata, Tokyo, Japan

[73] Assignee: Sony Corporation, Tokyo, Japan

[**] Term: 14 Years

[21] Appl. No.: 4,441

[22] Filed: Feb. 5, 1993

[30] Foreign Application Priority Data

Aug. 28, 1992 [JP] Japan 4-25514

[52] U.S. Cl. D21/48

[58] Field of Search 273/148 B, 433-438,
273/DIG. 28; D21/13, 48, 1; D19/59, 60, 62;
D14/124, 125, 126, 129, 114, 217

[56] References Cited

U.S. PATENT DOCUMENTS

D. 270,458	9/1983	Samuels	D21/2
D. 299,726	2/1989	Yukawa	D21/13 X
D. 324,548	3/1992	Ashida	D21/13
4,359,220	11/1982	Morrison et al.	273/433 X
4,770,416	9/1988	Shimizu et al.	273/433 X

FOREIGN PATENT DOCUMENTS

0431723	6/1991	European Pat. Off.	273/435
---------	--------	--------------------	-------	---------

OTHER PUBLICATIONS

Playthings, May 1980, p. 75.

Primary Examiner—Prabhakar G. Deshmukh
Attorney, Agent, or Firm—Jay H. Maioli

[57] CLAIM

THE ornamental design for an audio card player for a game, as shown and described.

DESCRIPTION

FIG. 1 is a top, front and left-side perspective view of an audio card player for use with a game, showing my new design;

FIG. 2 is a front elevational view thereof, shown on a smaller scale than FIG. 1;

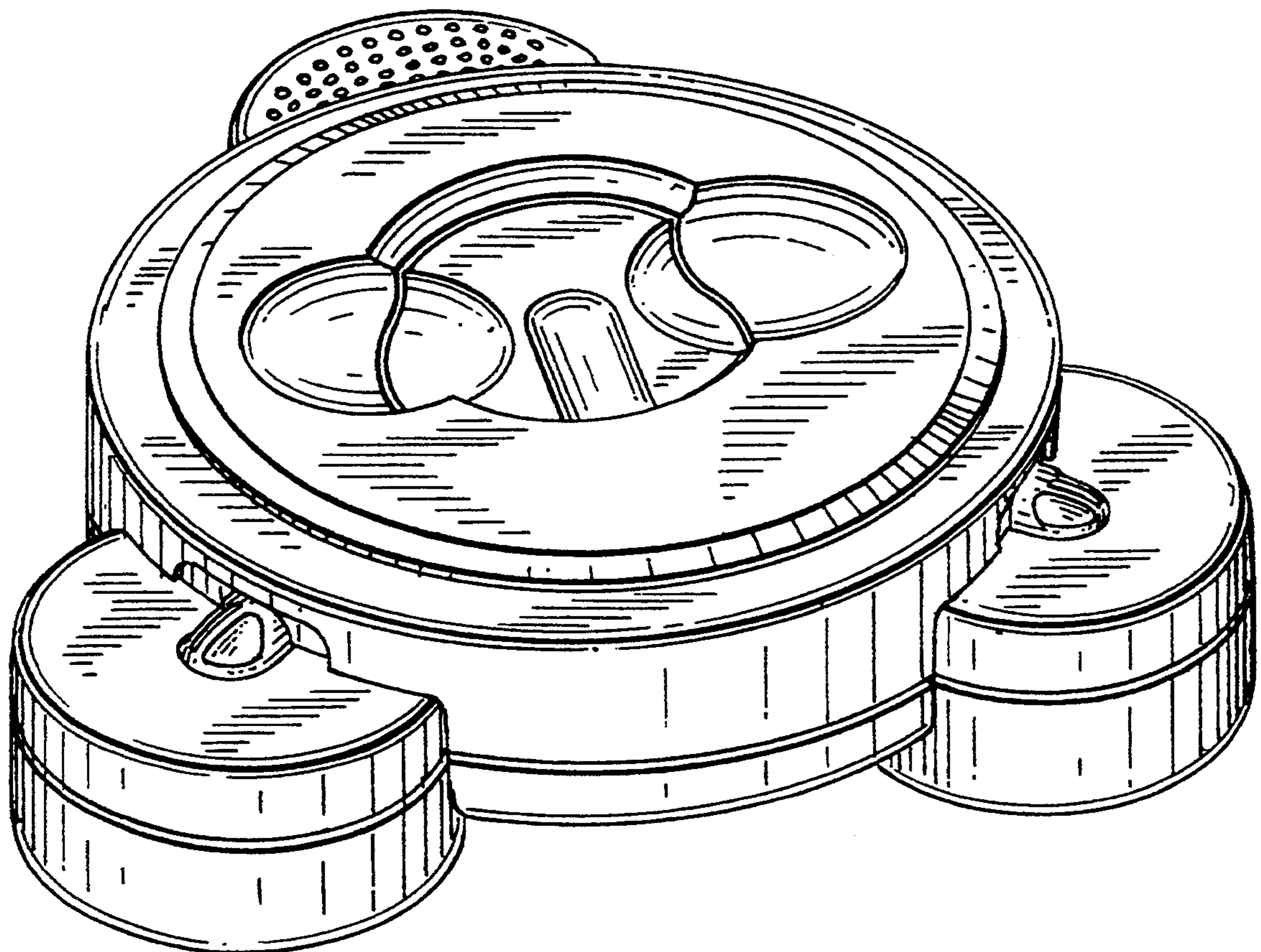
FIG. 3 is a rear elevational view thereof, shown on a smaller scale than FIG. 1;

FIG. 4 is a left-side elevational view thereof, shown on a smaller scale than FIG. 1;

FIG. 5 is a right-side elevational view thereof, shown on a smaller scale than FIG. 1;

FIG. 6 is a top plan view thereof, shown on a smaller scale than FIG. 1; and,

FIG. 7 is a bottom plan view thereof, shown on a smaller scale than FIG. 1.



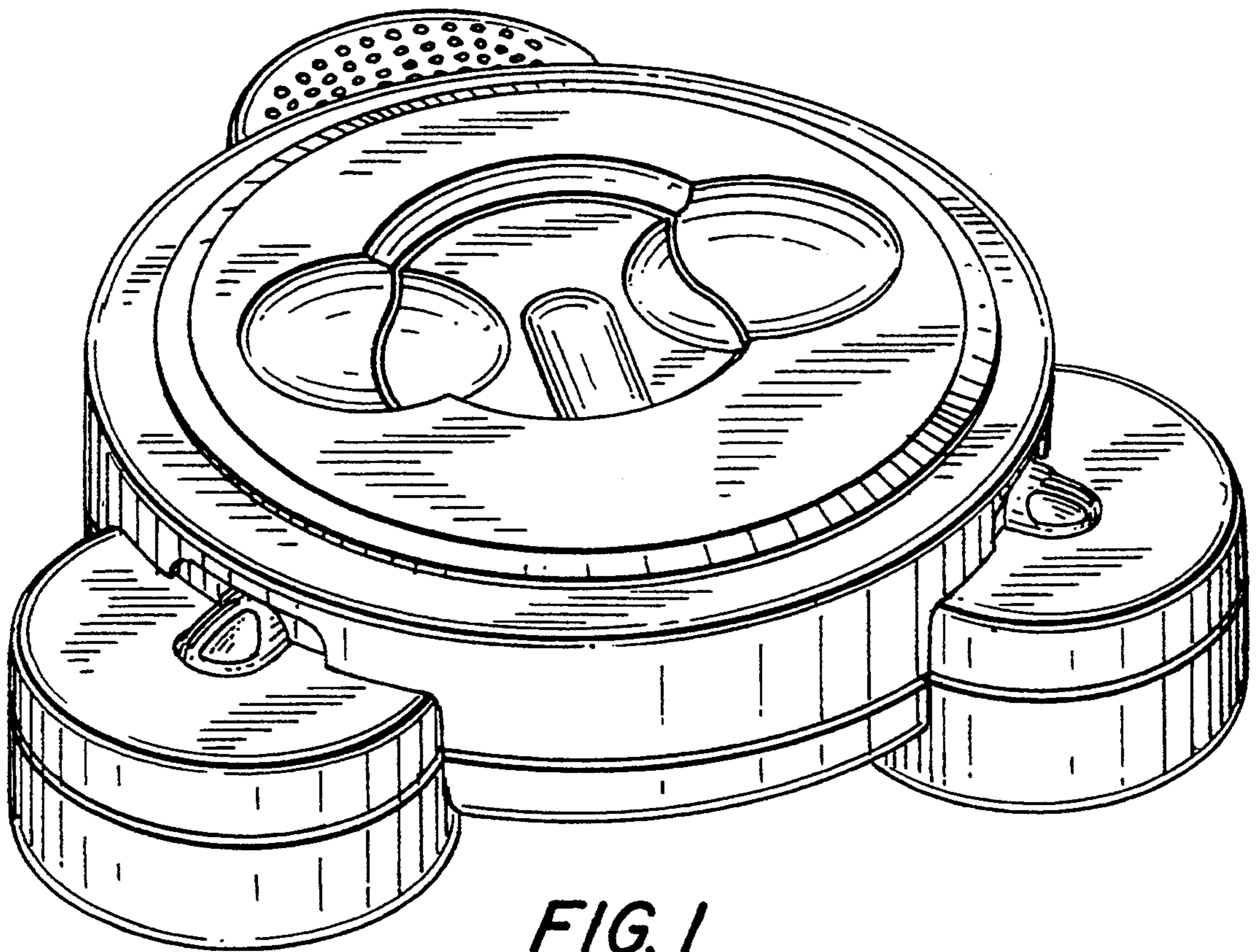


FIG. 2

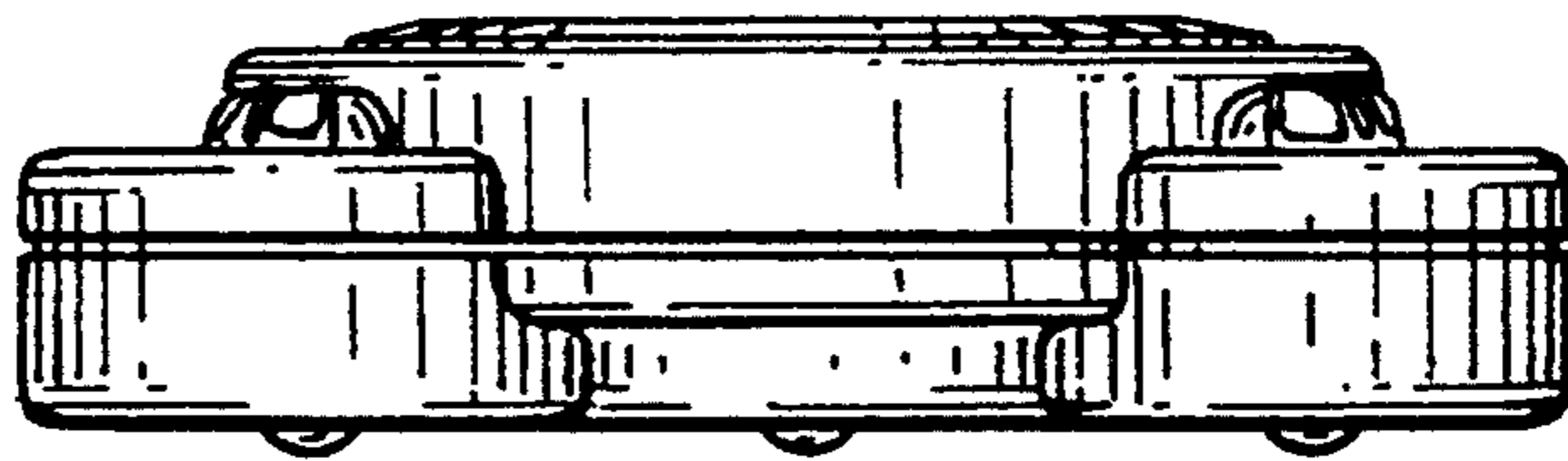


FIG. 3

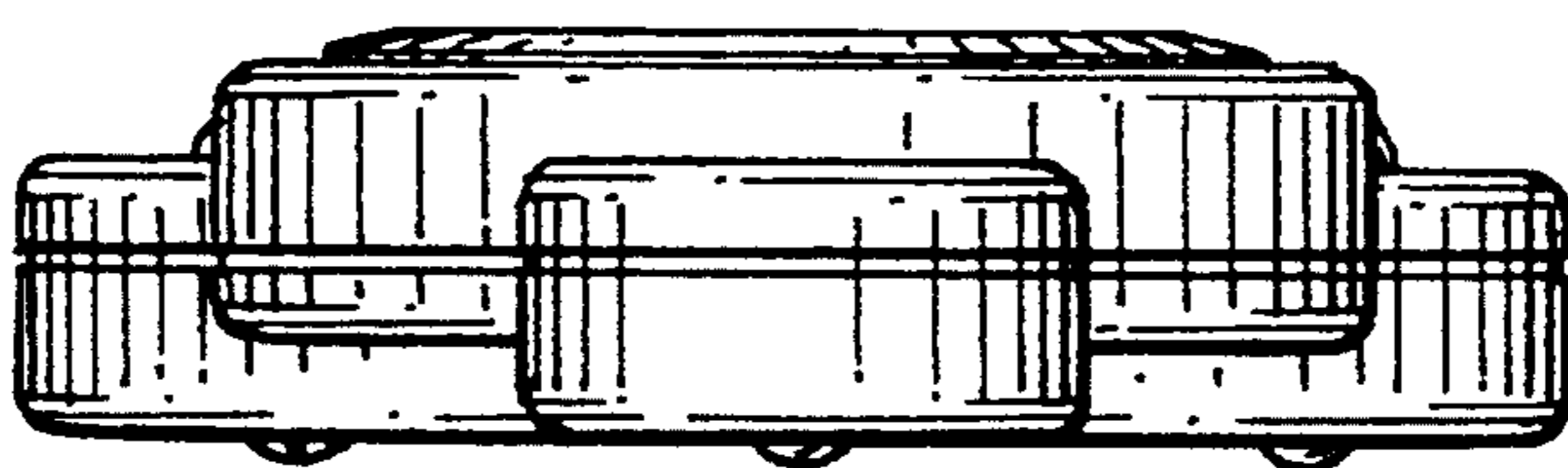


FIG. 4

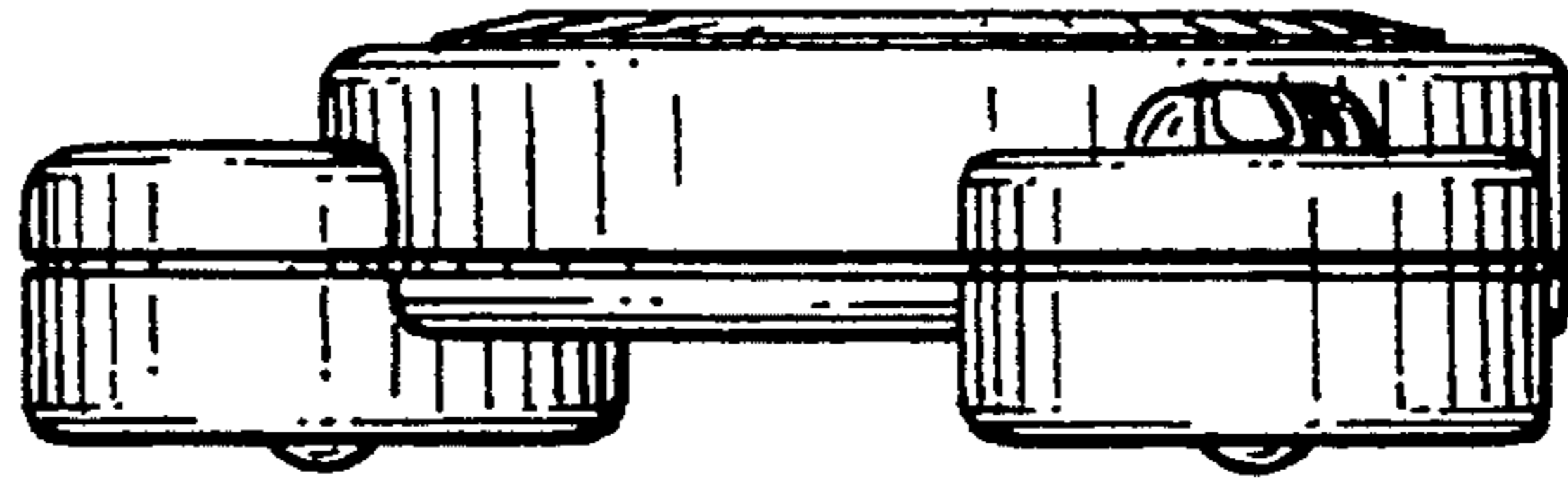


FIG. 5

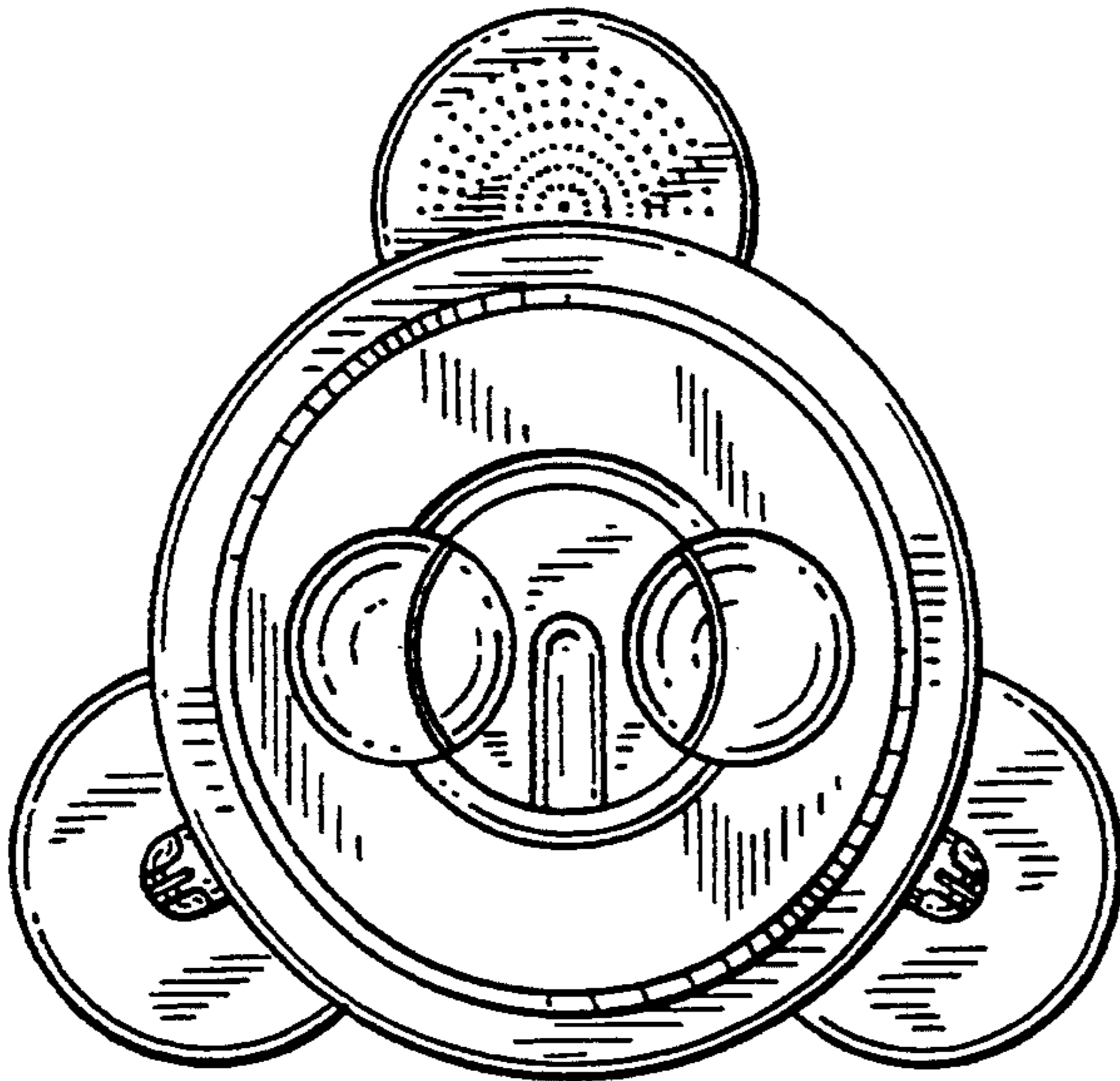
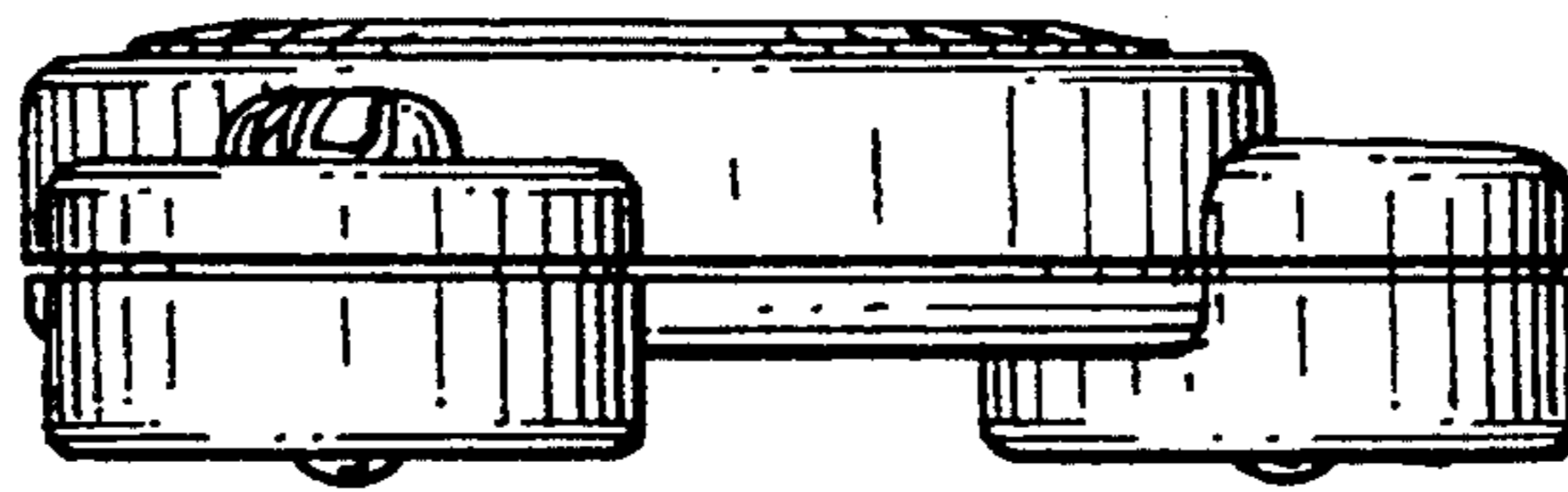


FIG. 6

FIG. 7

