



US00D353400S

# United States Patent [19]

[11] Patent Number: **Des. 353,400**

Goodman et al.

[45] Date of Patent: **\*\* Dec. 13, 1994**

## [54] VERTICAL FILE

[76] Inventors: **Sheldon H. Goodman**, 30905 Stratford, Solon, Ohio 44139; **Steven E. Greenhut**, 6368 NW. 23rd Way, Boca Raton, Fla. 33496

[\*\*] Term: **14 Years**

[21] Appl. No.: **12,631**

[22] Filed: **Sep. 3, 1993**

[52] U.S. Cl. .... **D19/90; D6/462; D6/407**

[58] Field of Search ..... **D6/407, 629, 462; 211/10, 11, 40-43, 46, 181, 184, 189; 206/387; D19/65, 75, 78, 86, 90, 91, 92, 95, 99, 100**

## [56] References Cited

### U.S. PATENT DOCUMENTS

D. 122,268	9/1940	Katcher	.....	D6/462
D. 155,547	10/1949	Smith	.....	D6/462 X
D. 180,955	9/1957	Lyons	.....	211/40 X
D. 209,455	12/1967	Clark	.....	D6/407
D. 230,233	2/1974	Gentieu	.....	D6/407
D. 313,546	1/1991	Beirise et al.	.....	D19/90 X
428,555	5/1890	Dom	.....	211/11
2,892,548	6/1959	Huff	.....	211/40 X
2,956,685	10/1960	Levi	.....	211/40
5,111,905	5/1992	Van Noord	.....	211/181 X

## OTHER PUBLICATIONS

Jacobs Gardner Office Products, ©1989, see circled vertical files (F,G,H) on p. 144.

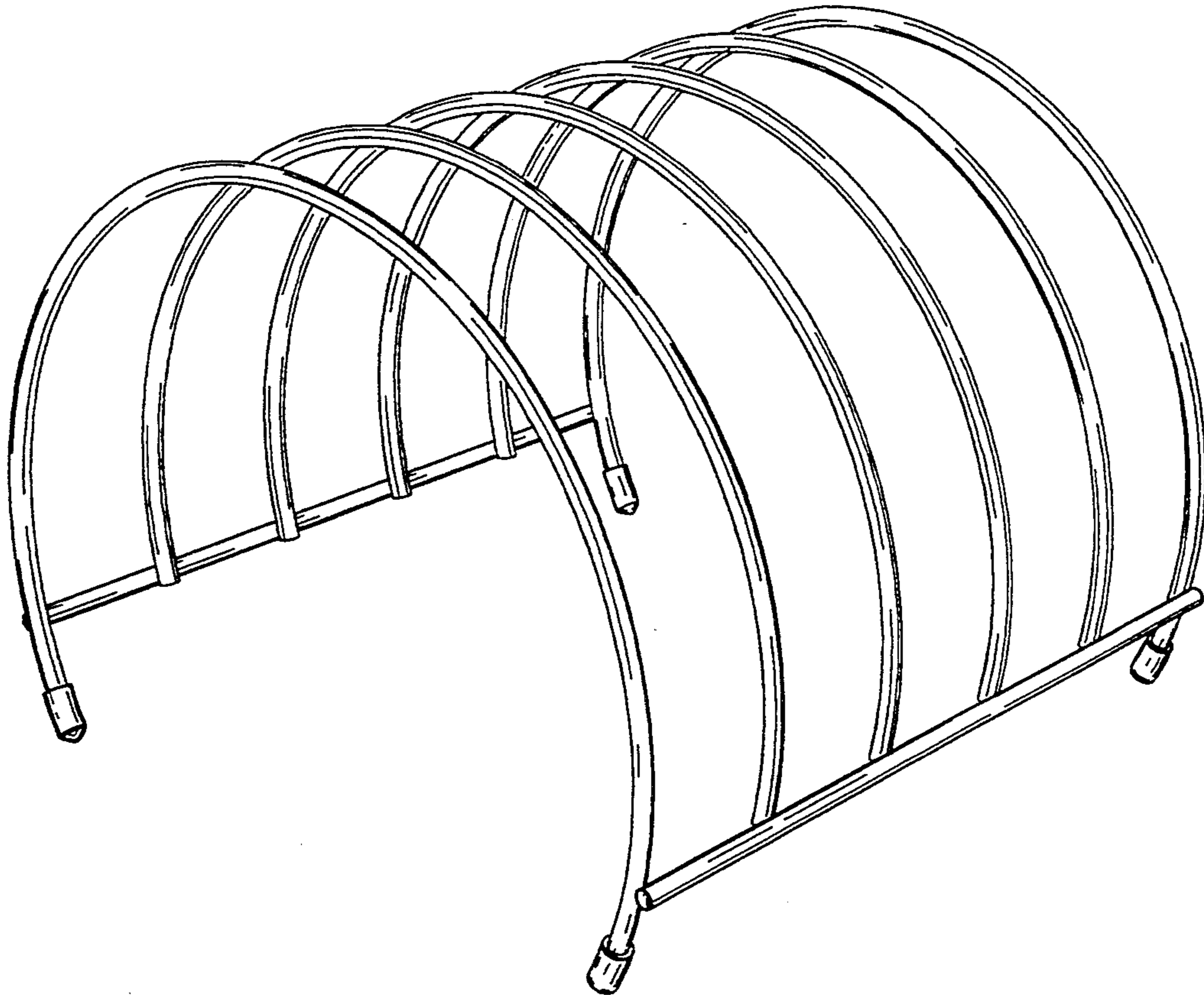
*Primary Examiner*—Martie Thompson  
*Attorney, Agent, or Firm*—Pearne, Gordon, McCoy & Granger

## [57] CLAIM

The ornamental design for an vertical file, as shown and described.

## DESCRIPTION

FIG. 1 is a front perspective view of an vertical file showing a first embodiment of our new design; FIG. 2 is a front elevational view thereof, the rear elevational view being identical; FIG. 3 is a left side elevational view thereof, the right side elevational view being identical; FIG. 4 is a top plan view thereof; FIG. 5 is a bottom plan view thereof; FIG. 6 is a front perspective view of an organizer showing a second embodiment of our new design; FIG. 7 is a front elevational view thereof, the rear elevational view being identical; FIG. 8 is a left side elevational view thereof, the right side elevational view being identical; FIG. 9 is a top plan view thereof; and, FIG. 10 is a bottom plan view thereof.



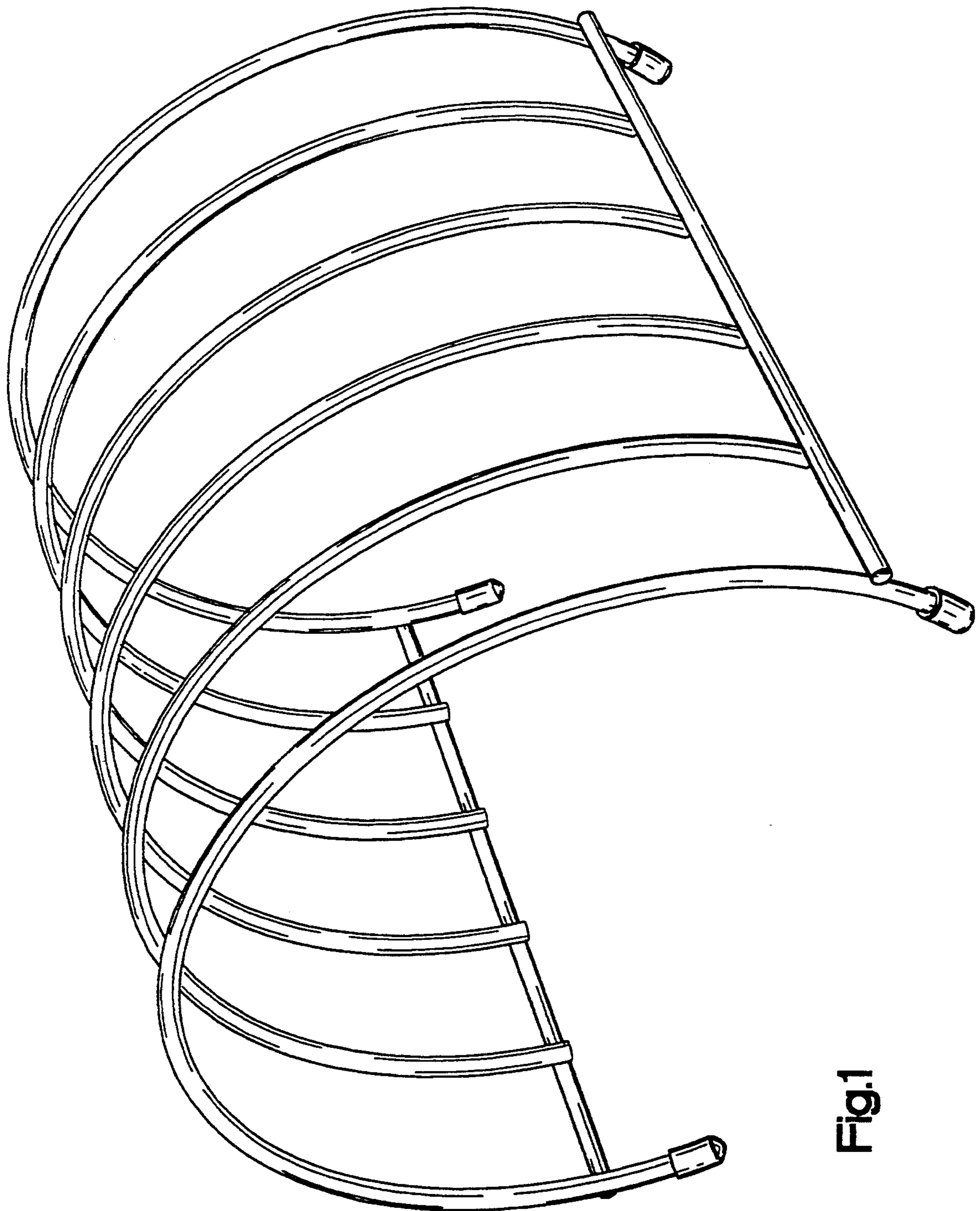


Fig.1

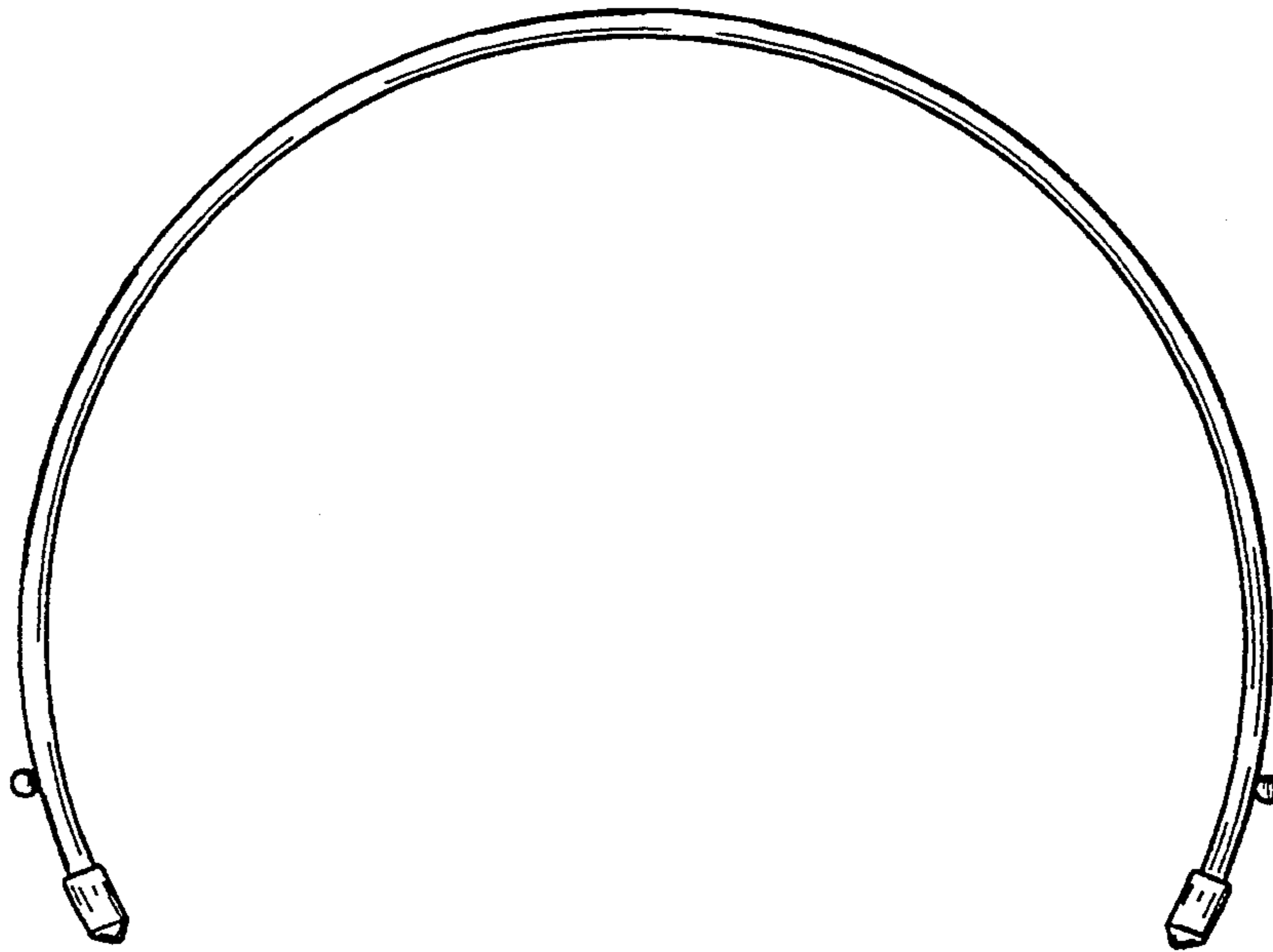


Fig.2

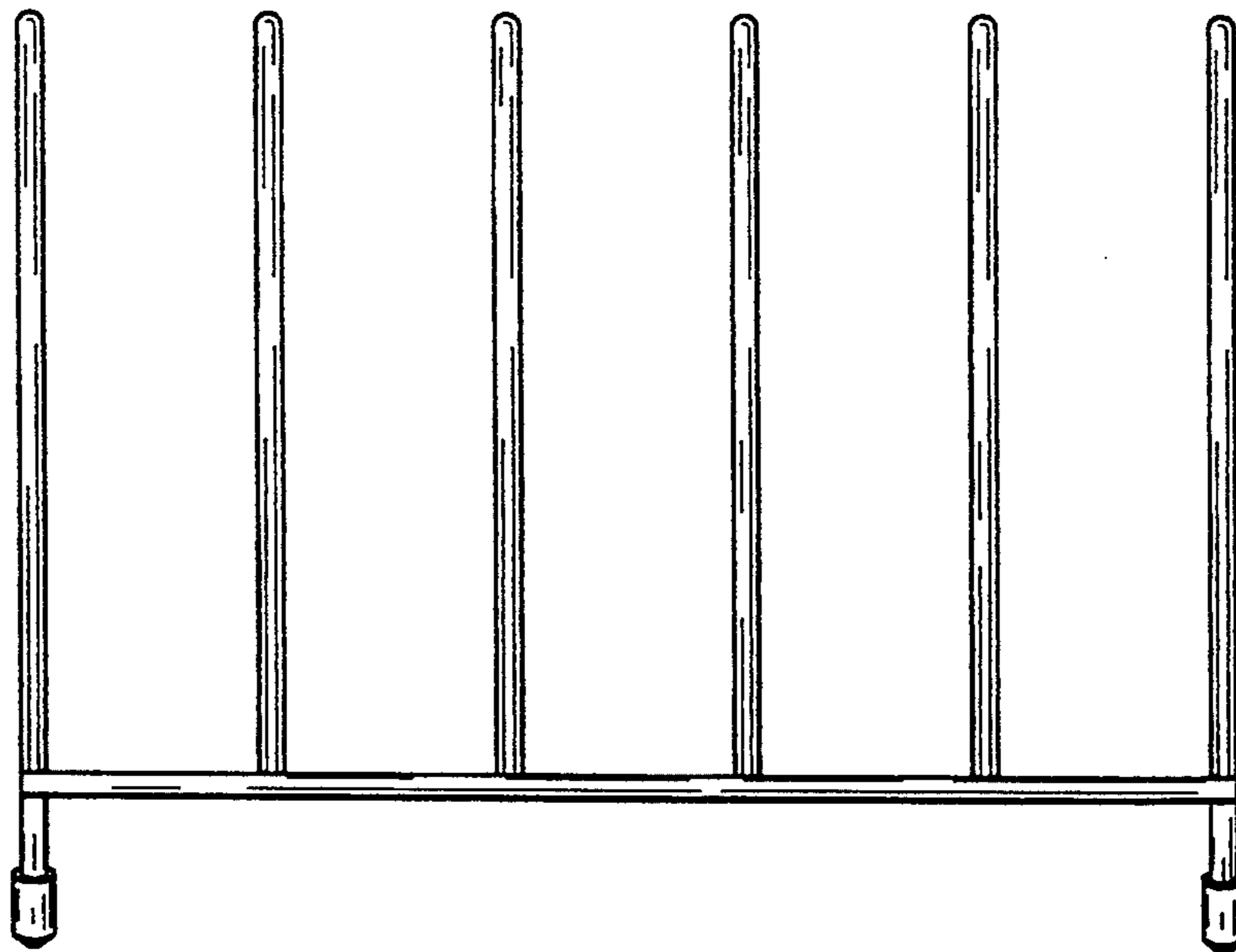


Fig.3

Fig.4

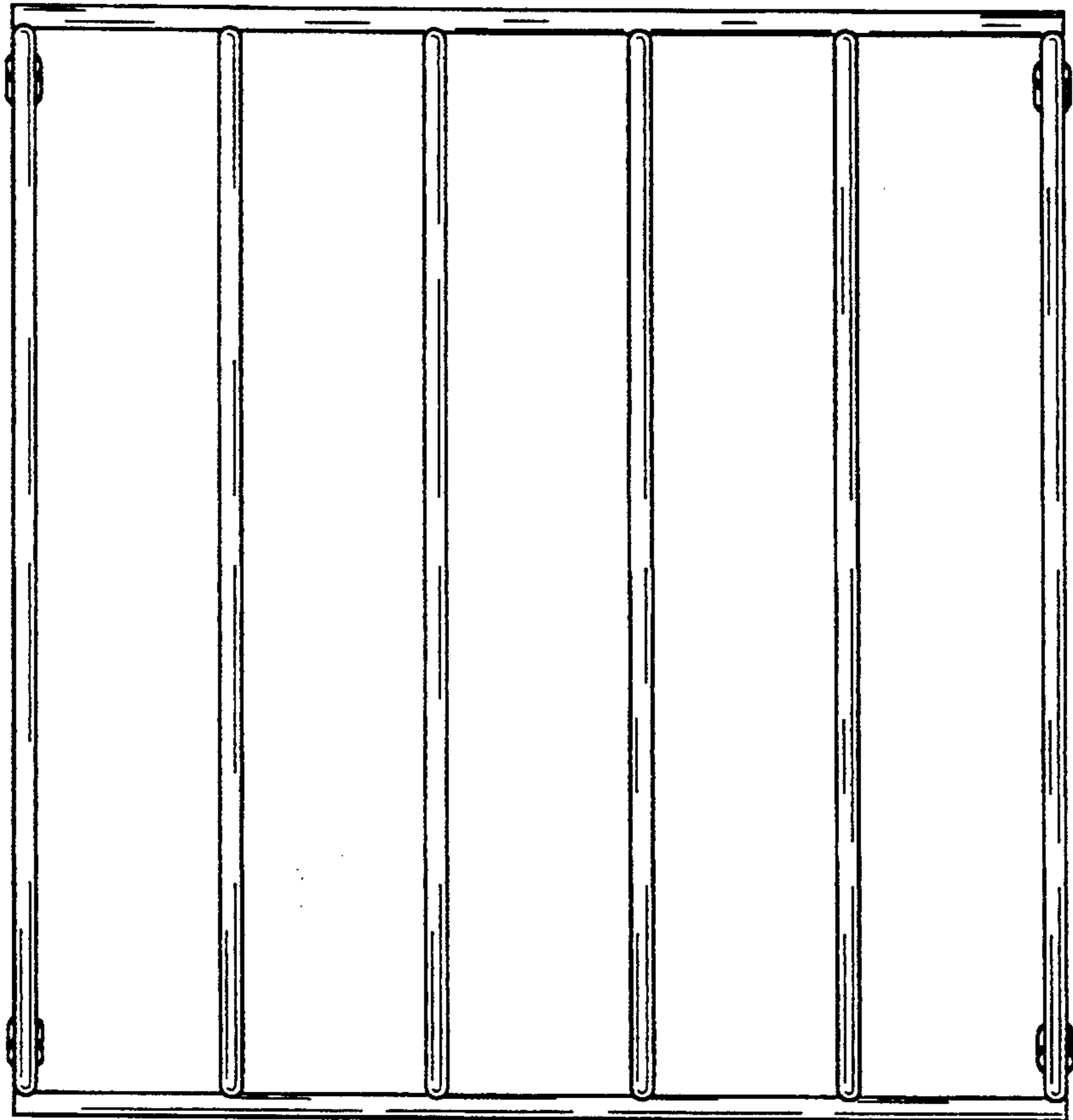
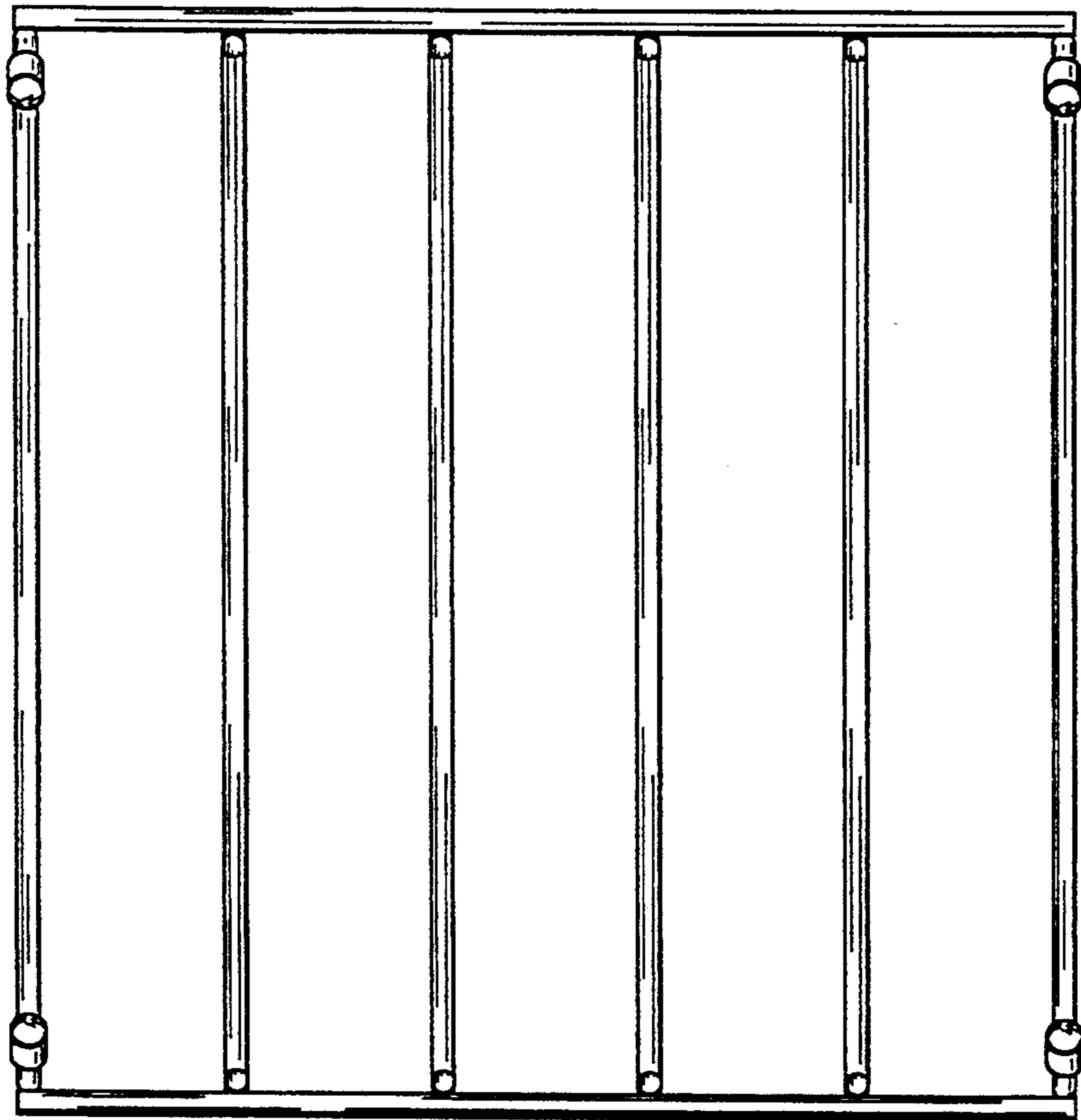


Fig.5



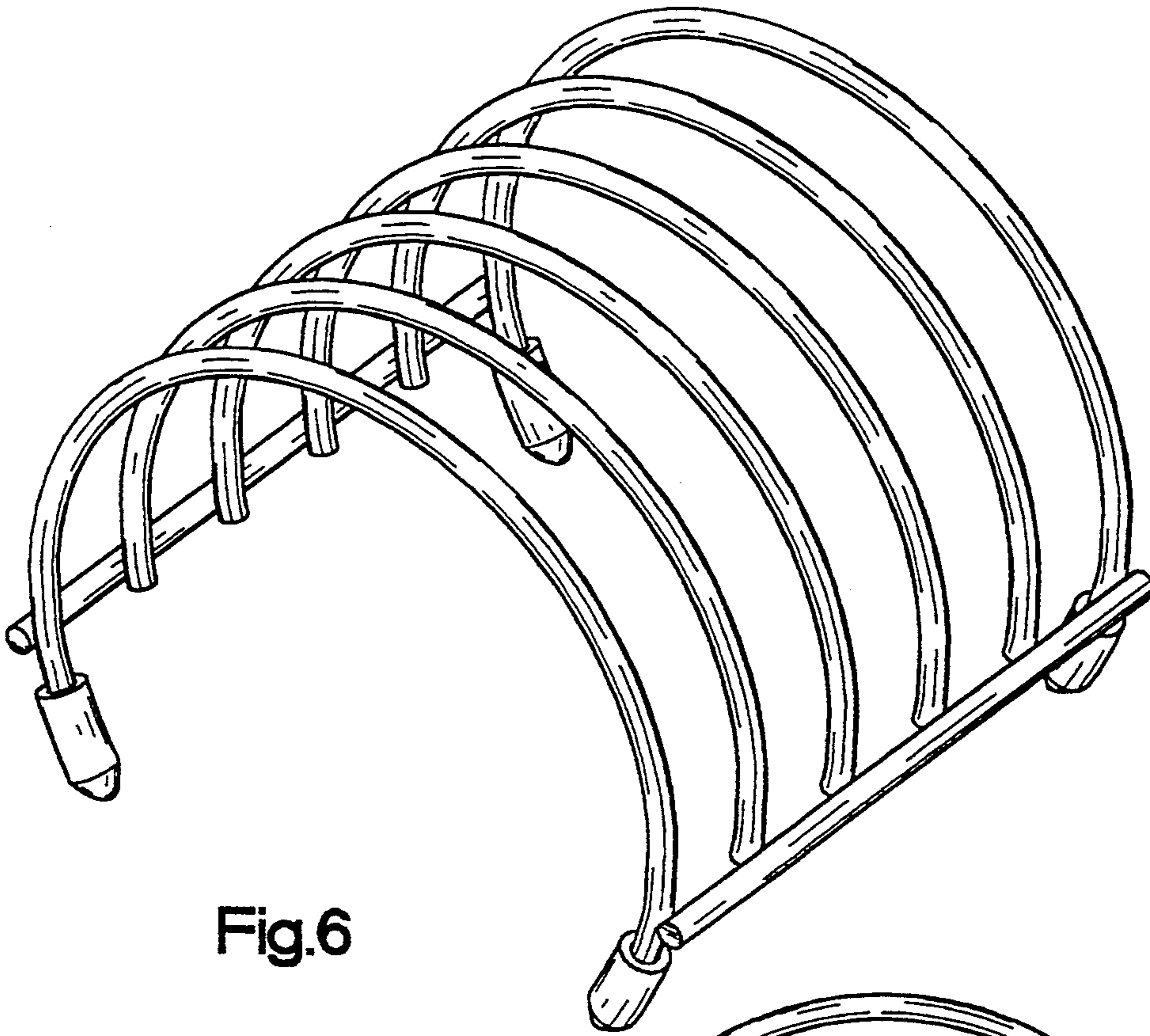


Fig.6

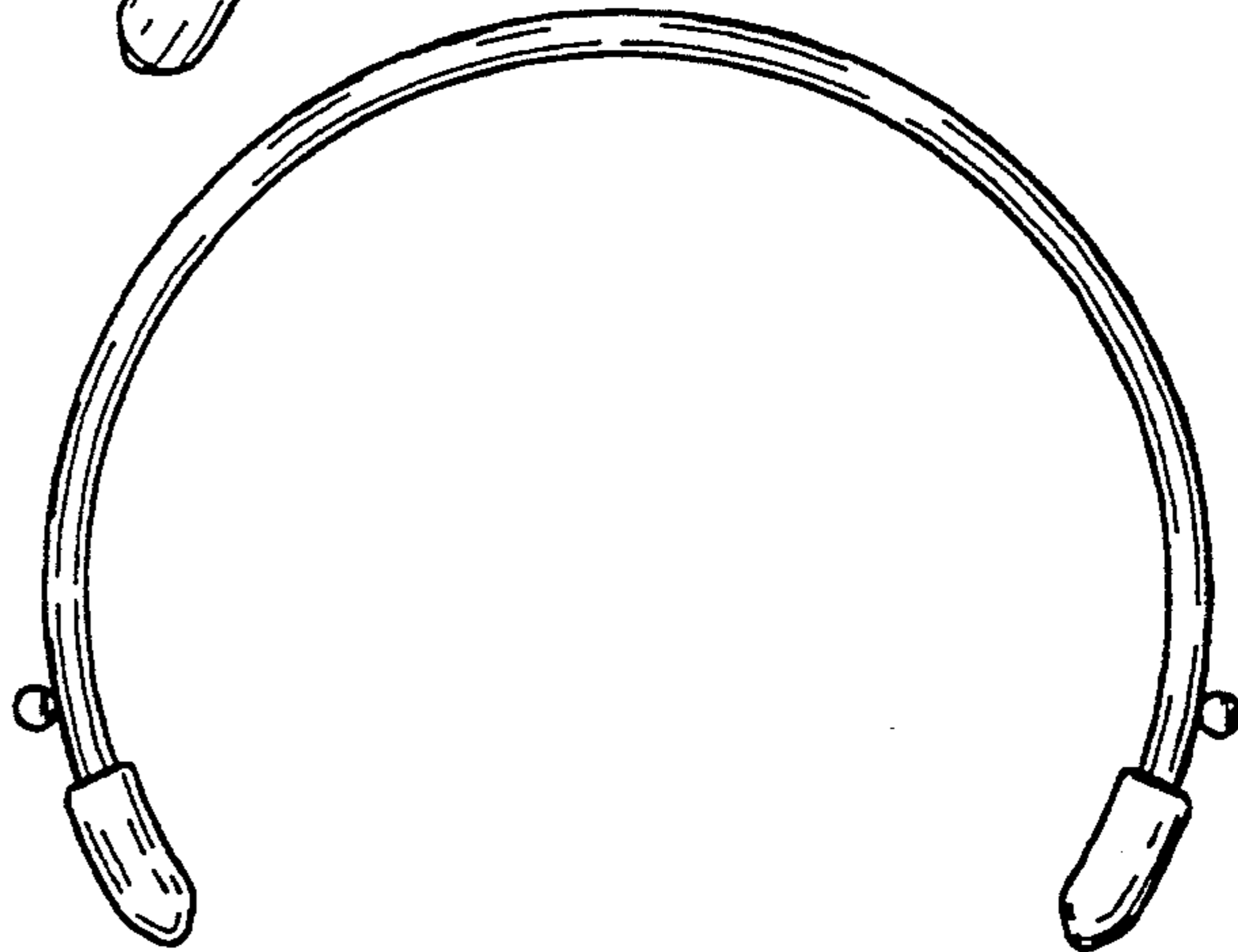


Fig.7

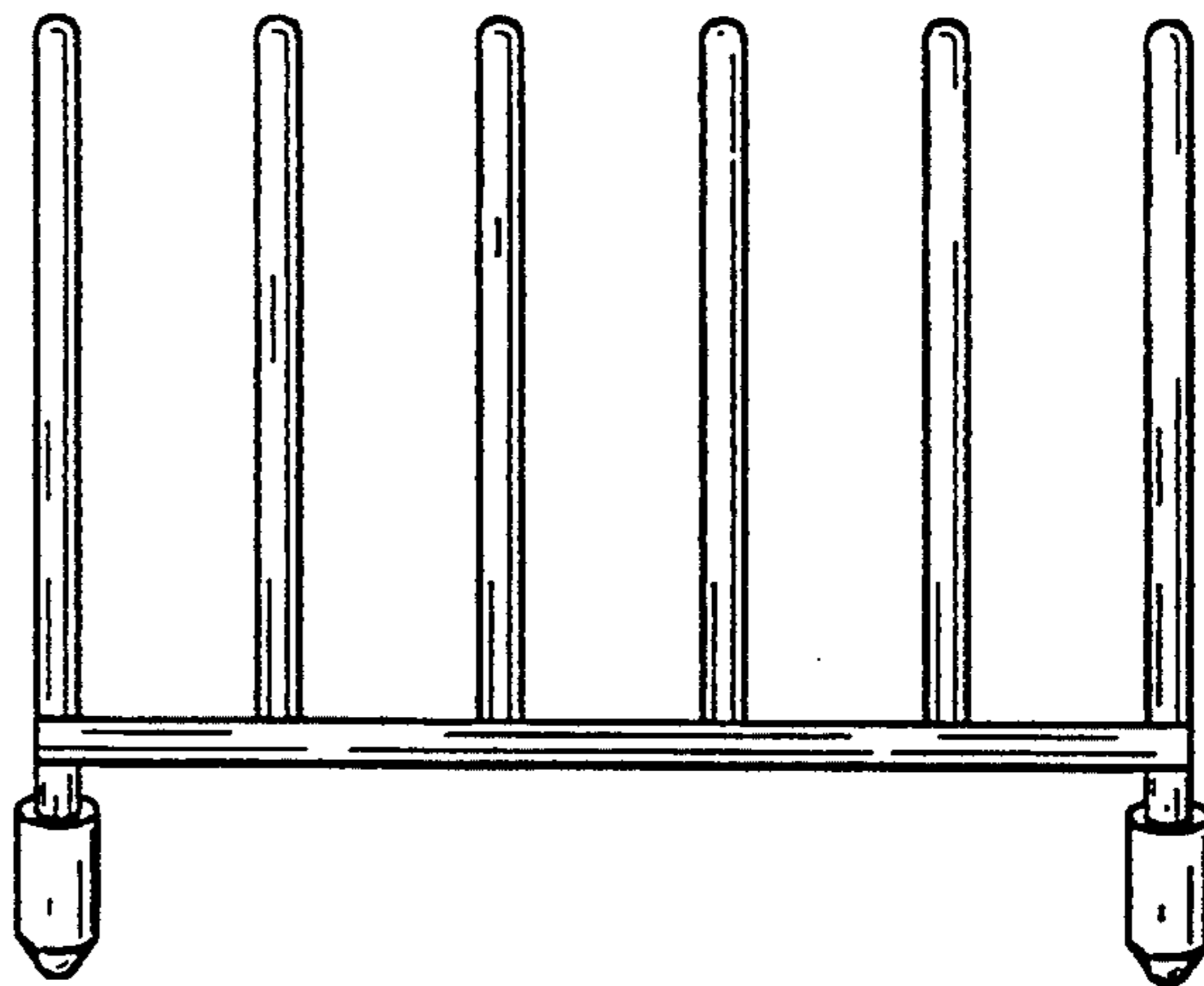


Fig.8

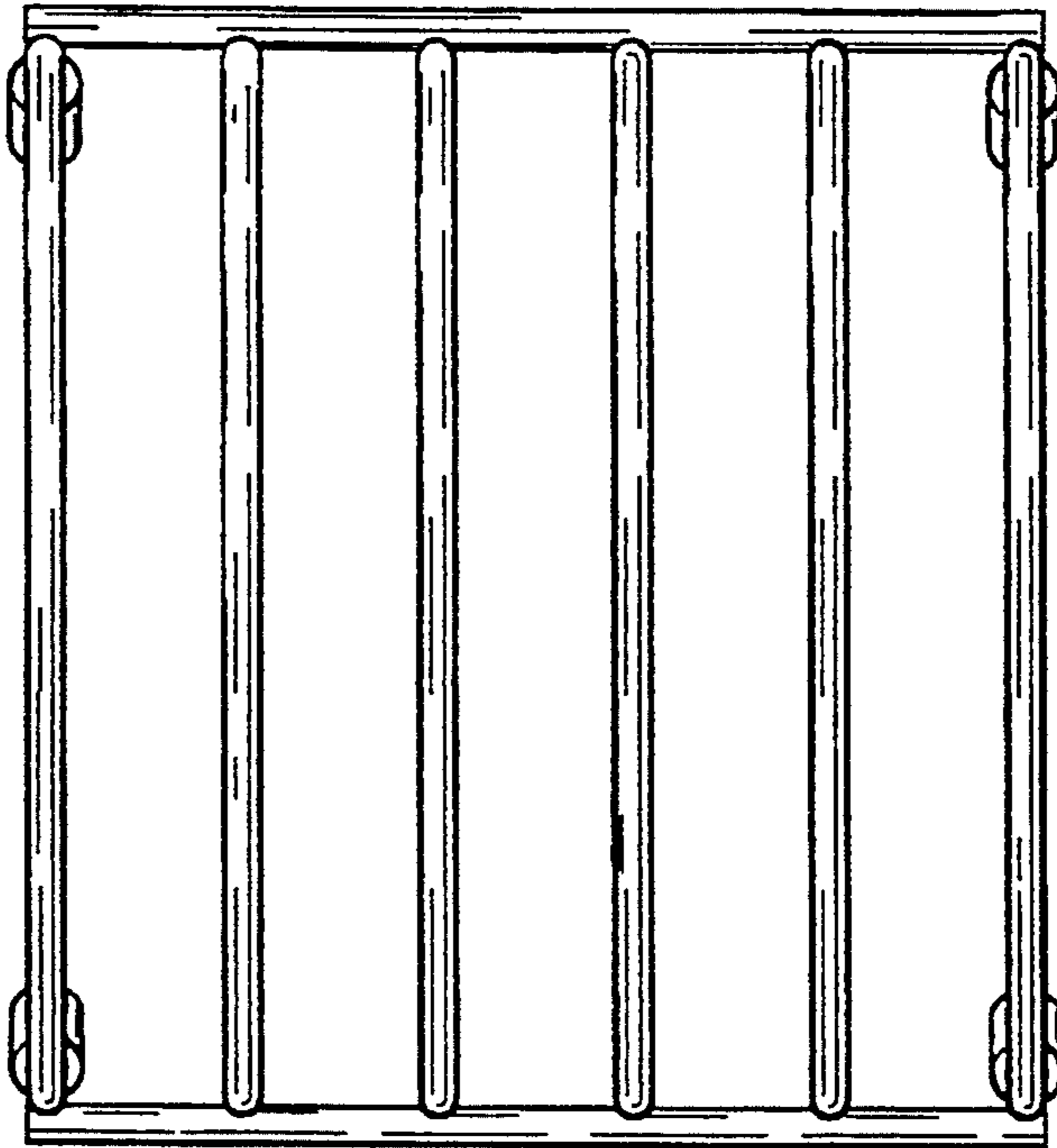


Fig.9

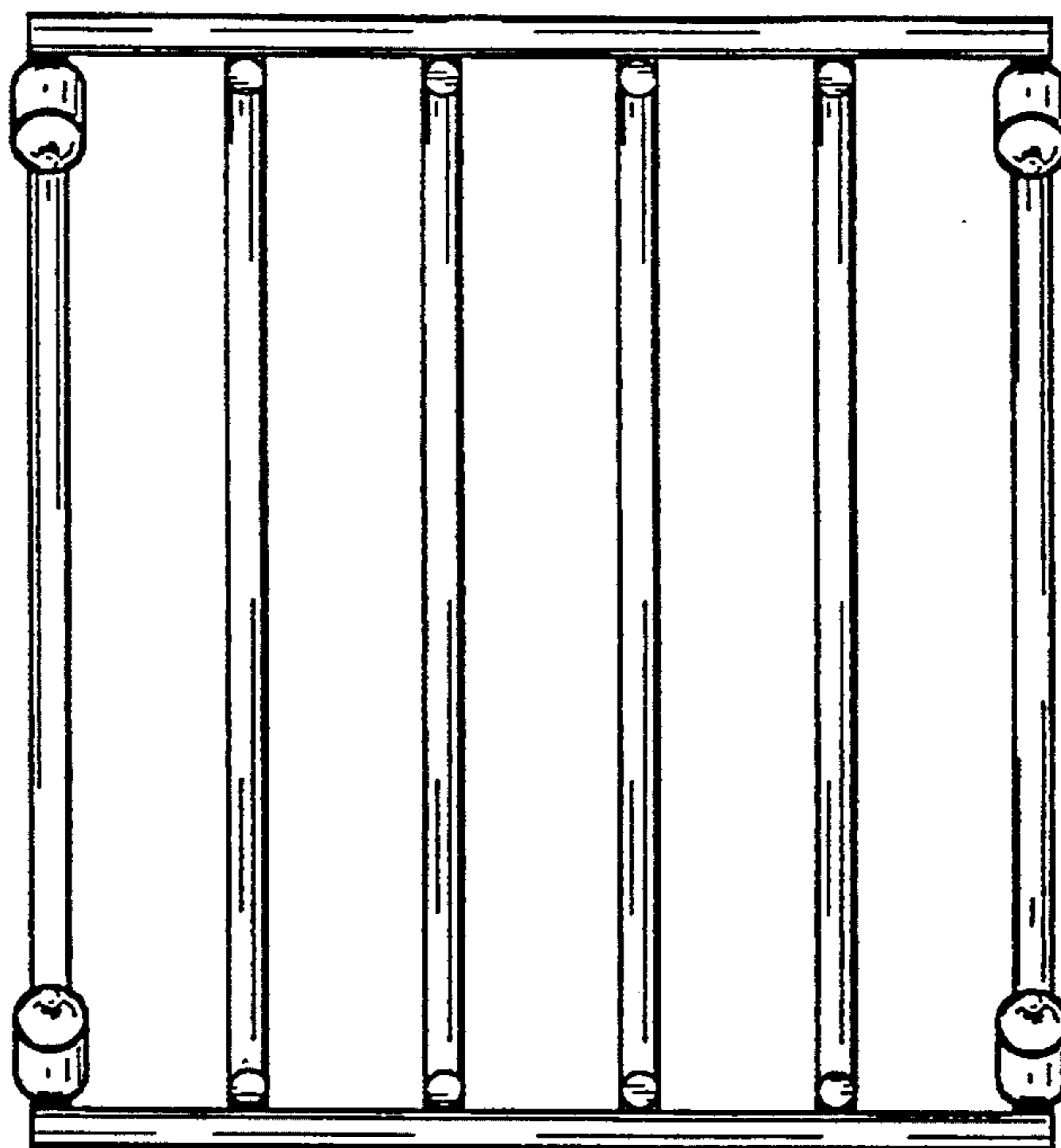


Fig.10