



US00D353399S

United States Patent [19]

[11] Patent Number: Des. 353,399

Dodge

[45] Date of Patent: ** Dec. 13, 1994

[54] COMBINATION CLIPBOARD/BOX AND CALCULATOR

[75] Inventor: Edward Dodge, Readfield, Me.

[73] Assignee: Saunders Manufacturing Co., Inc., Readfield, Me.

[**] Term: 14 Years

[21] Appl. No.: 3,370

[22] Filed: Jan. 8, 1993

[52] U.S. Cl. D19/88; D18/2

[58] Field of Search 200/5 A; 364/706-710; D18/1, 2, 6, 7, 11; D19/65, 88

D. 296,220	6/1988	Hung	D19/88
D. 313,819	1/1991	Craft, Jr. et al.	D19/88
D. 341,626	11/1993	Rosmarin, Jr. et al.	D18/2 X
3,977,744	8/1976	DeWitt	D19/88 X

OTHER PUBLICATIONS

Saunders MFG. Co., Inc. brochure No. POL1-1981 entitled Protecting Forms for Public Safety Officers Is Also Important!

Posse Police Products, Inc. Brochure entitled "The Posse Box" undated.

Primary Examiner—Alan P. Douglas

Assistant Examiner—Caron D. Veynar

Attorney, Agent, or Firm—Dowell & Dowell

[56] References Cited

U.S. PATENT DOCUMENTS

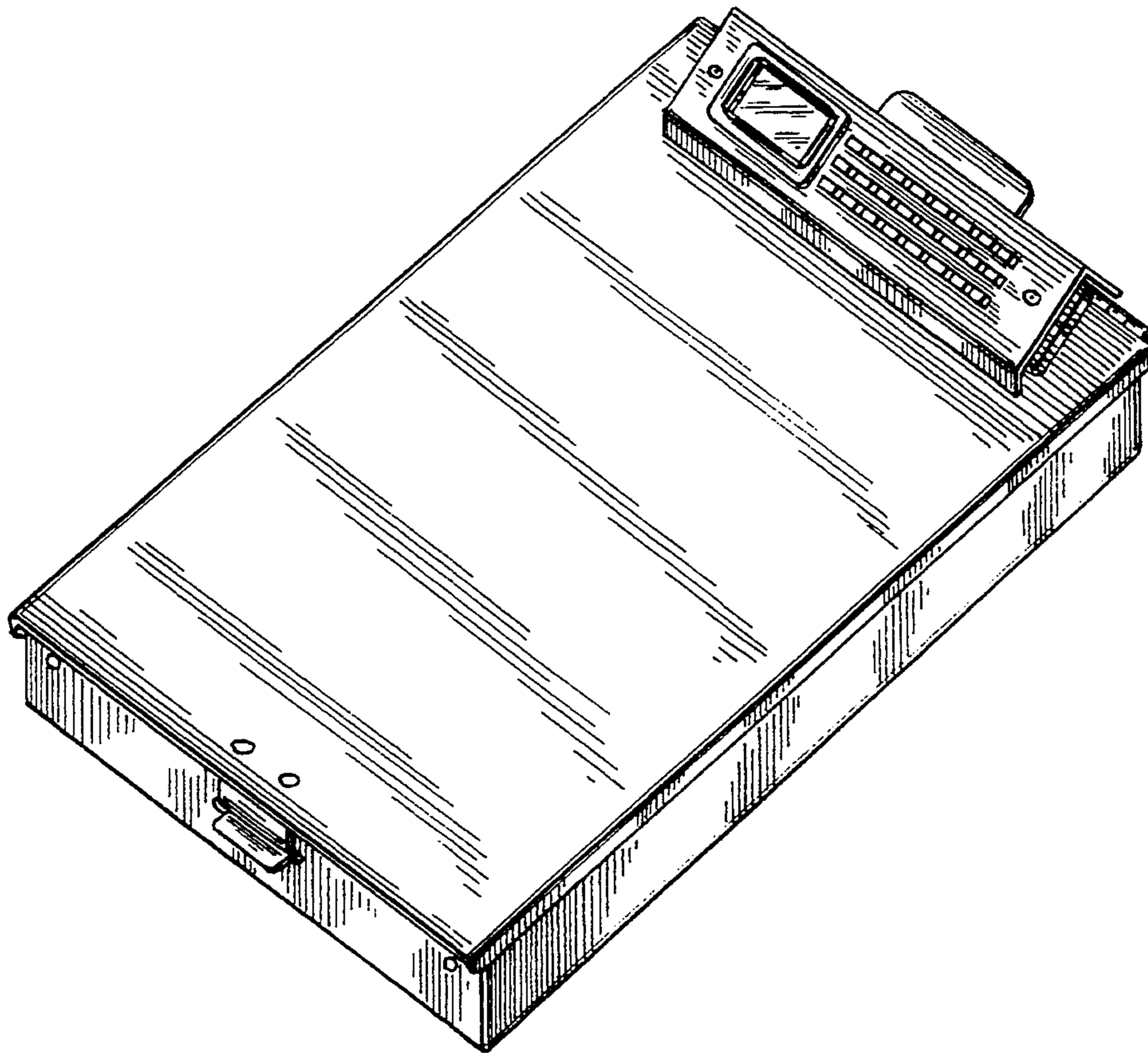
D. 228,528	10/1973	Smith	D19/88
D. 240,621	7/1976	Houser	D19/2
D. 243,688	3/1977	Keyko et al.	D19/2
D. 253,438	11/1979	Markley	D3/2
D. 261,903	11/1981	Mulder	D19/88
D. 279,197	6/1985	Hung	D18/2
D. 284,678	7/1986	Shamoon	D19/88
D. 284,976	8/1986	Hung	D18/2
D. 294,270	2/1988	Hung	D19/88
D. 294,282	2/1988	Hung	D19/88
D. 295,873	5/1988	Chan	D18/2
D. 295,983	5/1988	Chu	D18/2

[57] CLAIM

The ornamental design for a combination clipboard-/box and calculator, as shown and described.

DESCRIPTION

FIG. 1 is a top perspective view of a combination clipboard/box and calculator showing my new design; FIG. 2 is a top plan thereof; FIG. 3 is a right side elevational view thereof; FIG. 4 is a front elevational view thereof; FIG. 5 is a rear elevational view thereof; FIG. 6 is a left side elevational view thereof; and, FIG. 7 is a bottom plan view thereof.



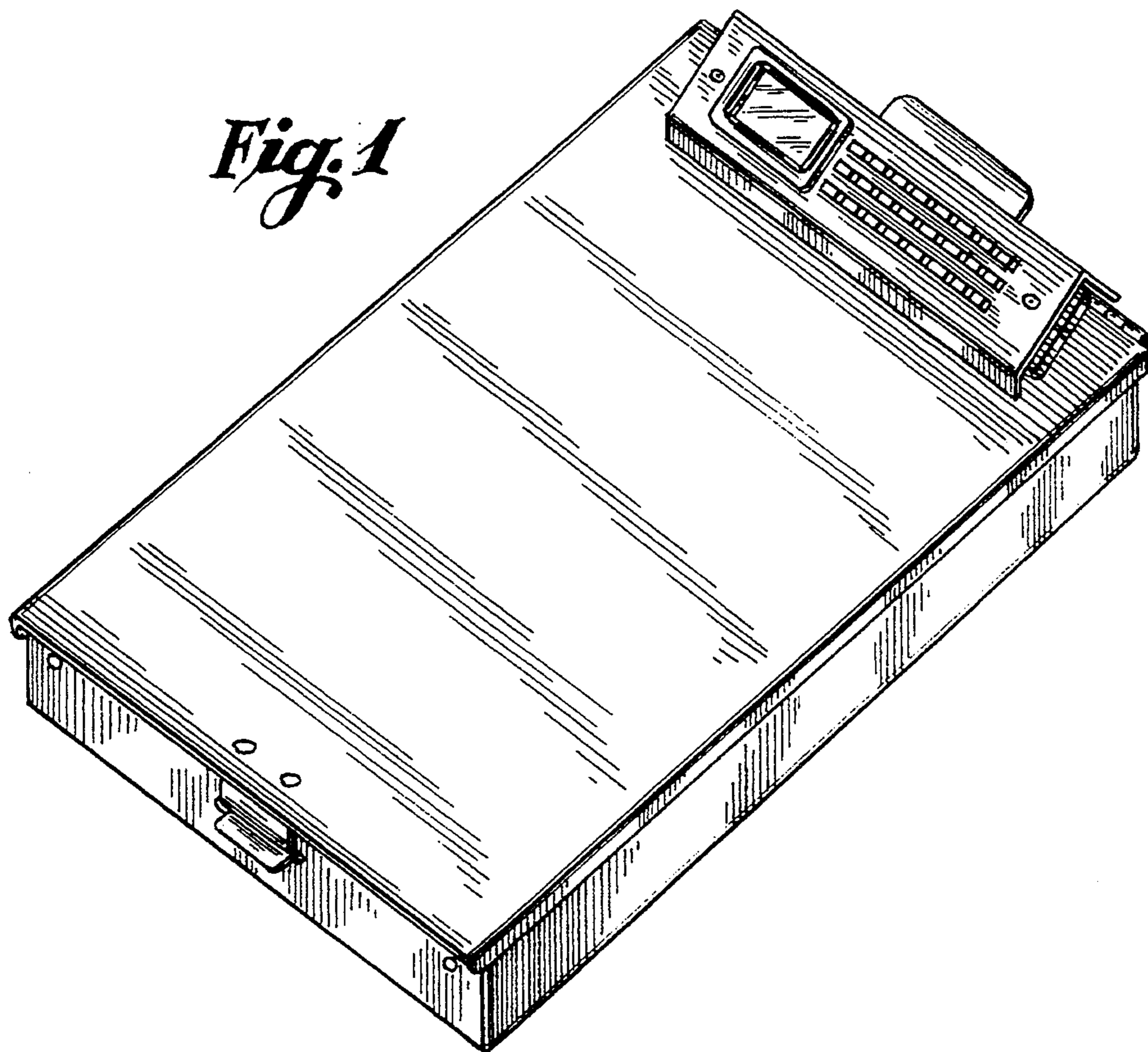


Fig. 4

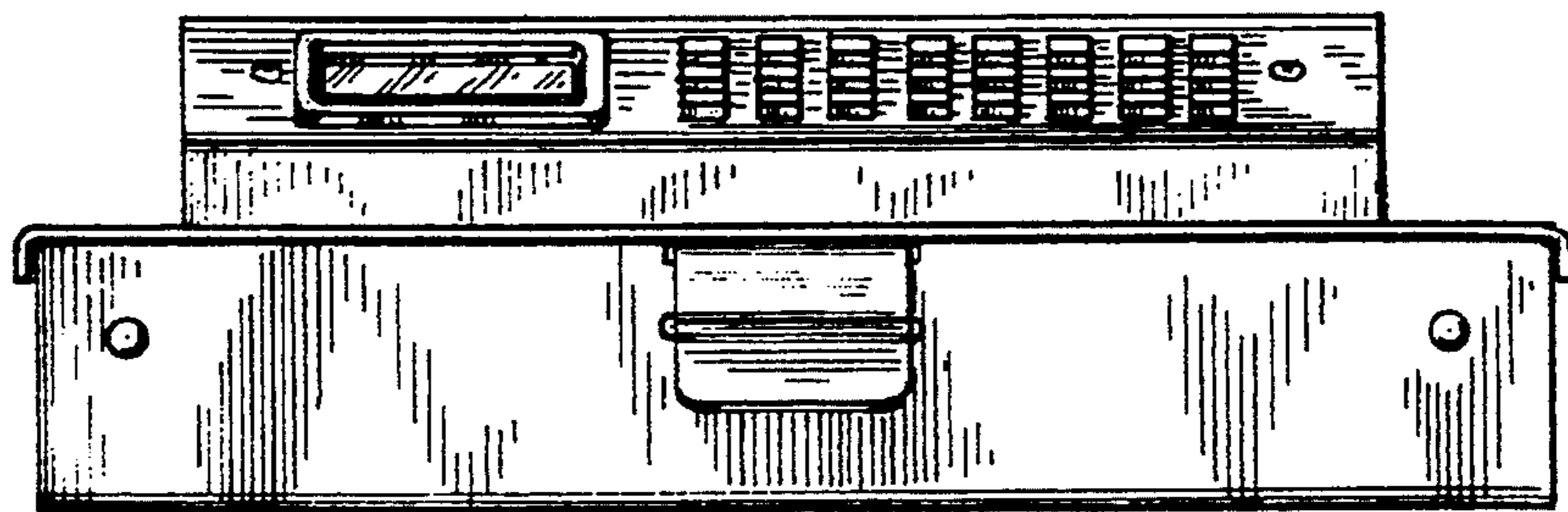
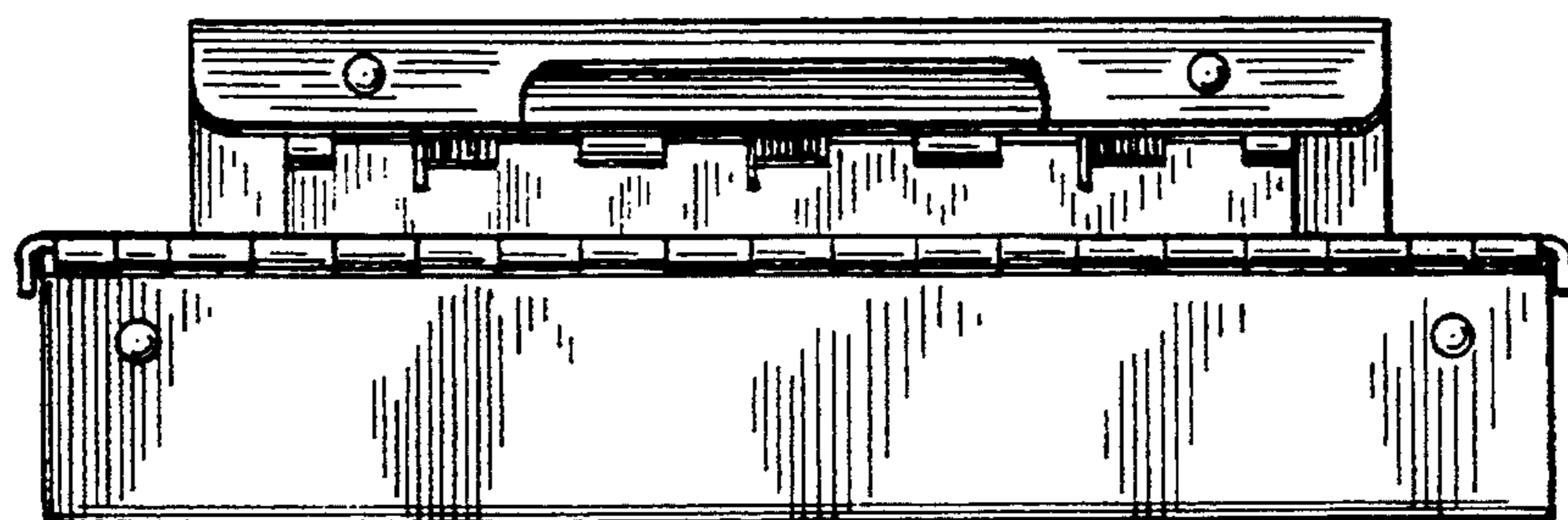


Fig. 5



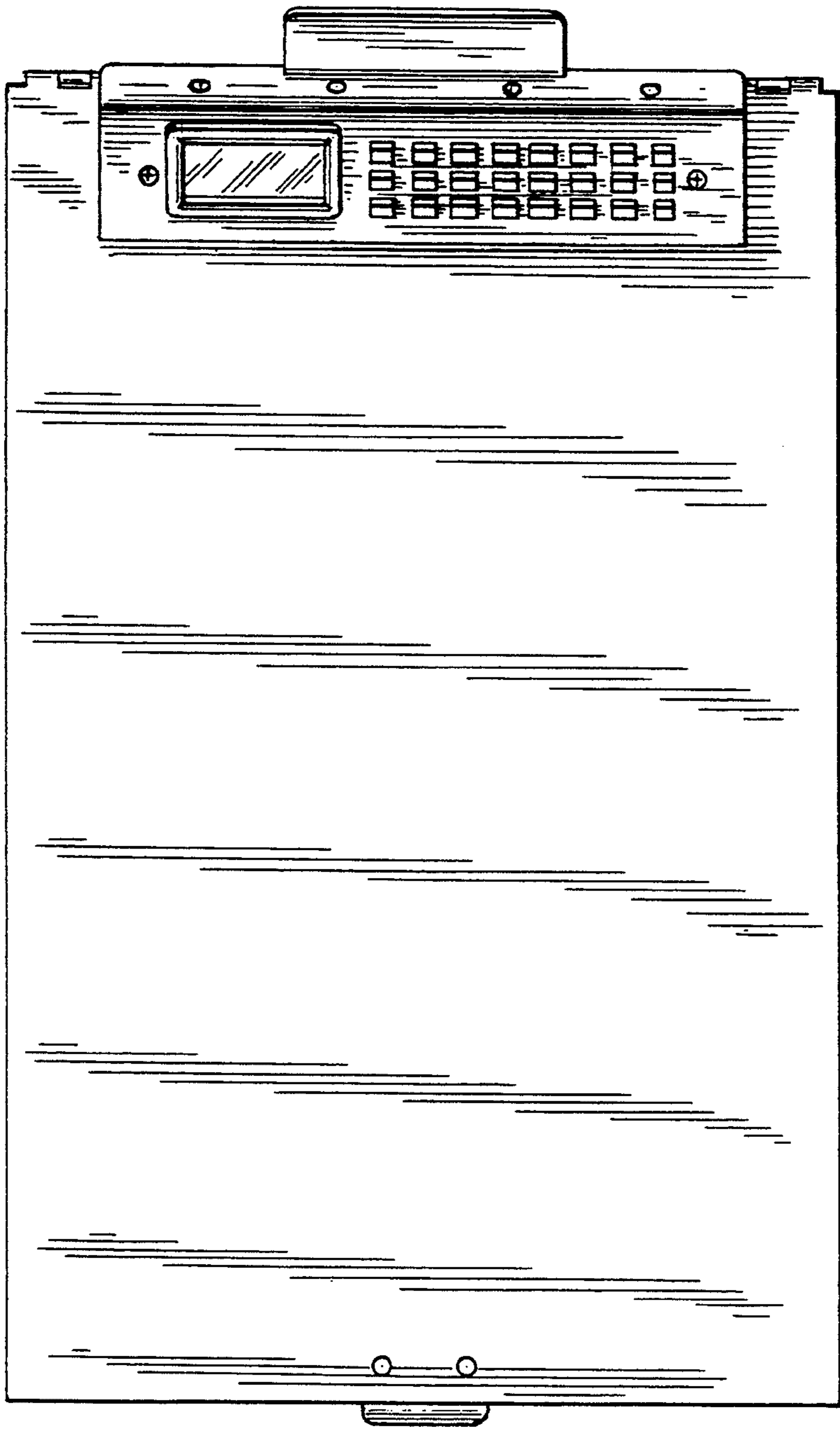


Fig. 2

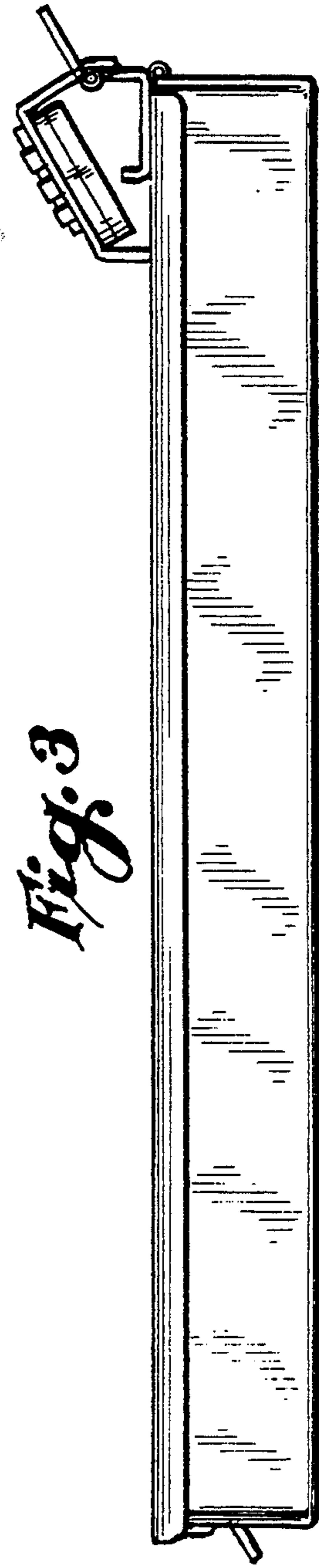


Fig. 3



Fig. 6

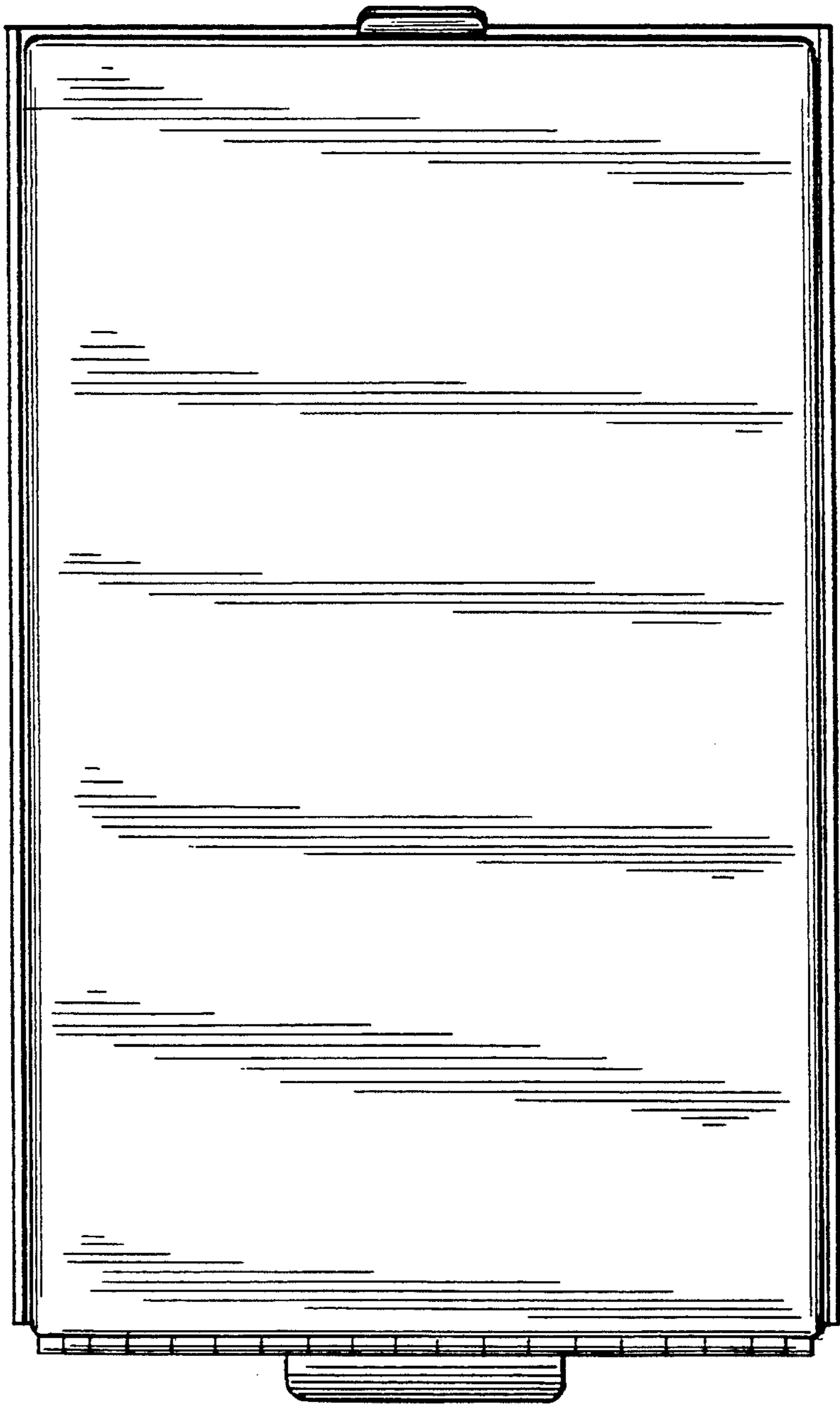


Fig. 7