



US00D353398S

United States Patent [19]

[11] Patent Number: **Des. 353,398**

Drake et al.

[45] Date of Patent: **** Dec. 13, 1994**

[54] ROTATING COLLECTABLE CARD FILE

[76] Inventors: **Grant L. Drake**, P.O. Box 73, Bridgeport, Tex. 76426; **Harry N. Drake**, 335 Hopewell, Grand Prairie, Tex. 75052

[**] Term: **14 Years**

[21] Appl. No.: **8,317**

[22] Filed: **May 14, 1993**

[52] U.S. Cl. **D19/76; D19/90**

[58] Field of Search **D6/515; 40/371, 377, 40/378, 379; 211/50, 58; D19/65, 75, 76, 86, 90, 95, 99, 100**

4,165,575 8/1979 Neilsen .
4,204,351 5/1980 Hawkins .
4,471,545 9/1984 Dorman .
4,599,815 7/1986 Waldo .
4,602,447 7/1986 Feingold .

FOREIGN PATENT DOCUMENTS

667540 7/1963 Canada .
374994 9/1939 Italy .

Primary Examiner—Martie Thompson
Attorney, Agent, or Firm—L. Dan Tucker

[57] CLAIM

The ornamental design for a rotating collectable card file, as shown.

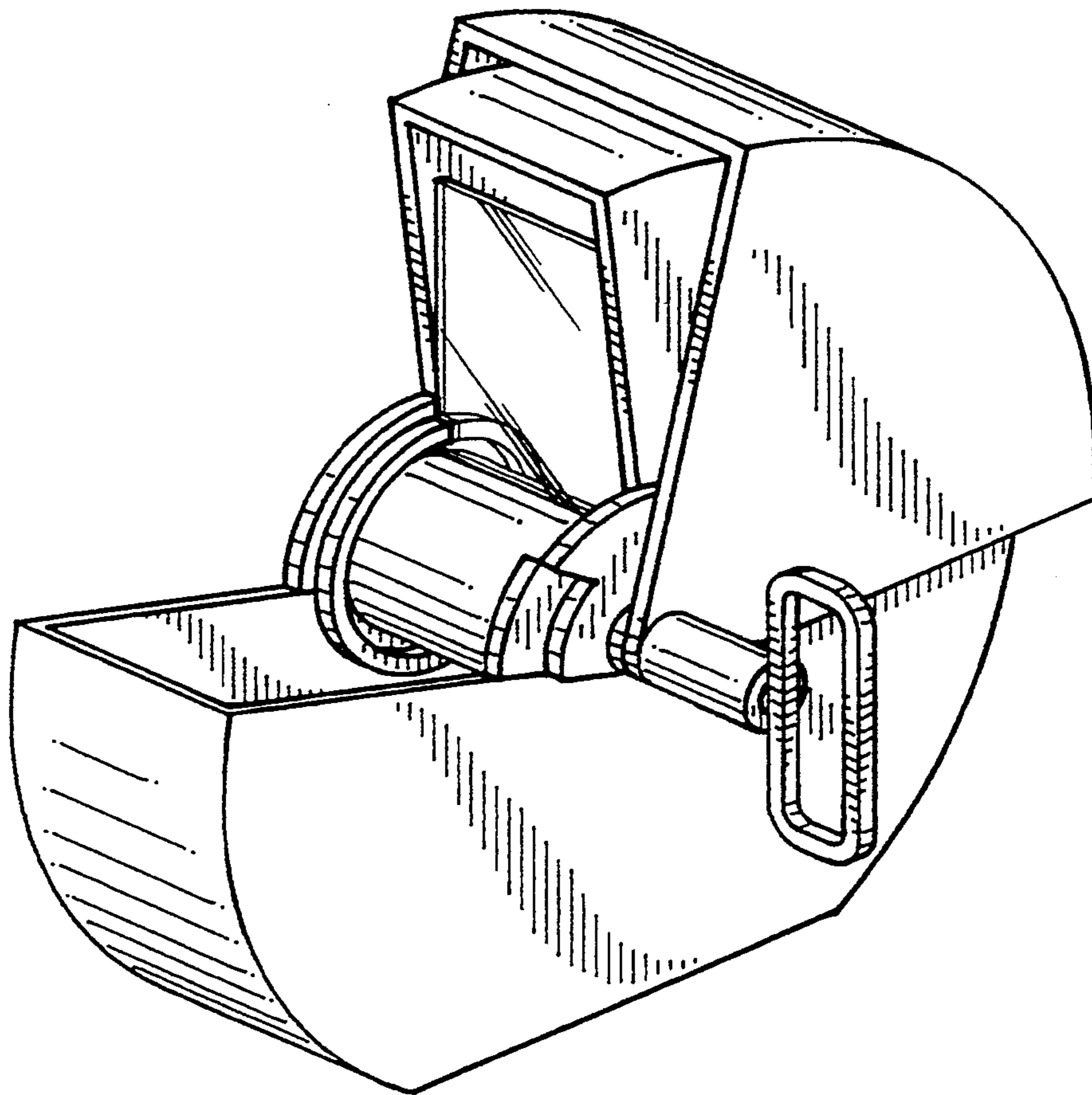
[56] References Cited

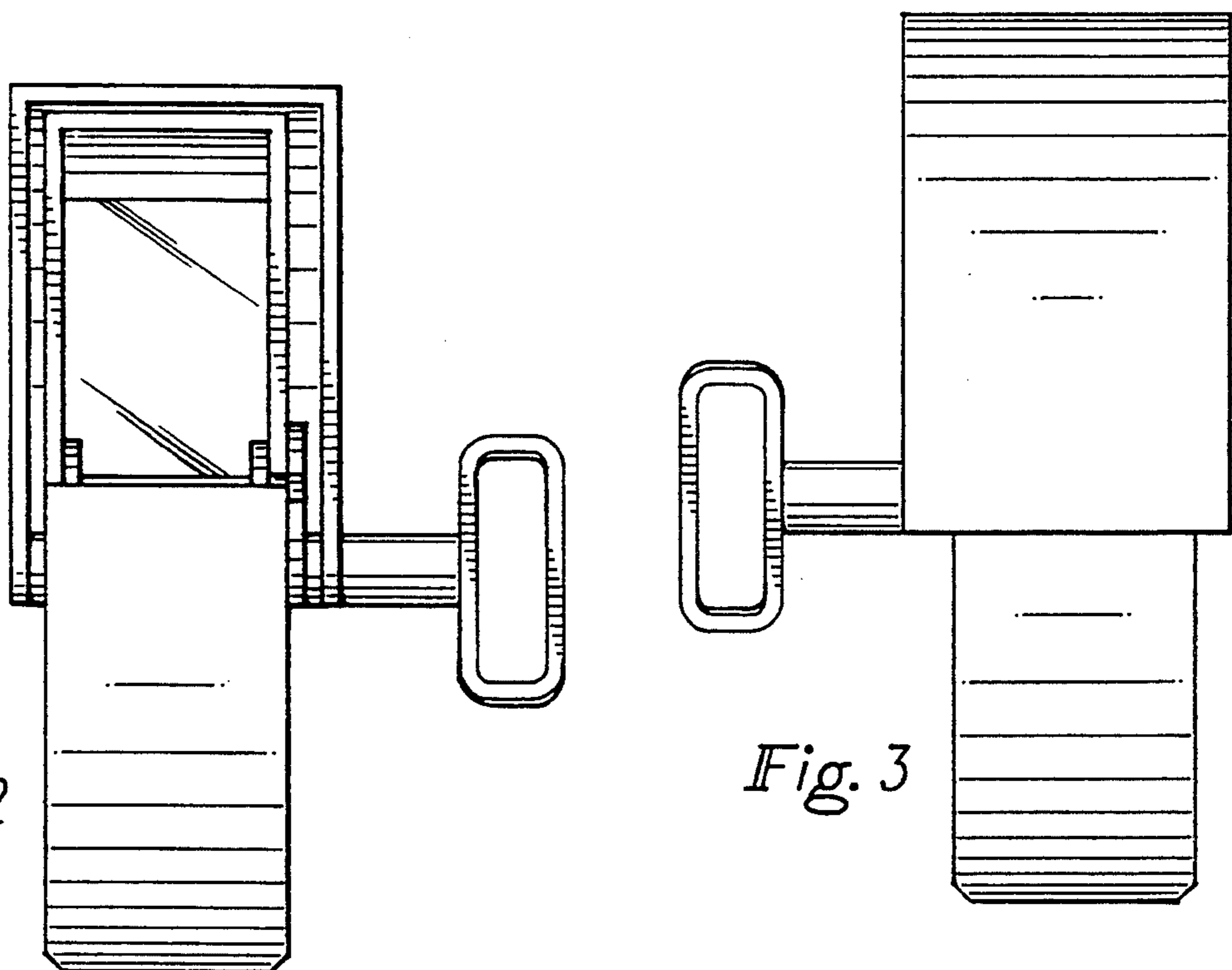
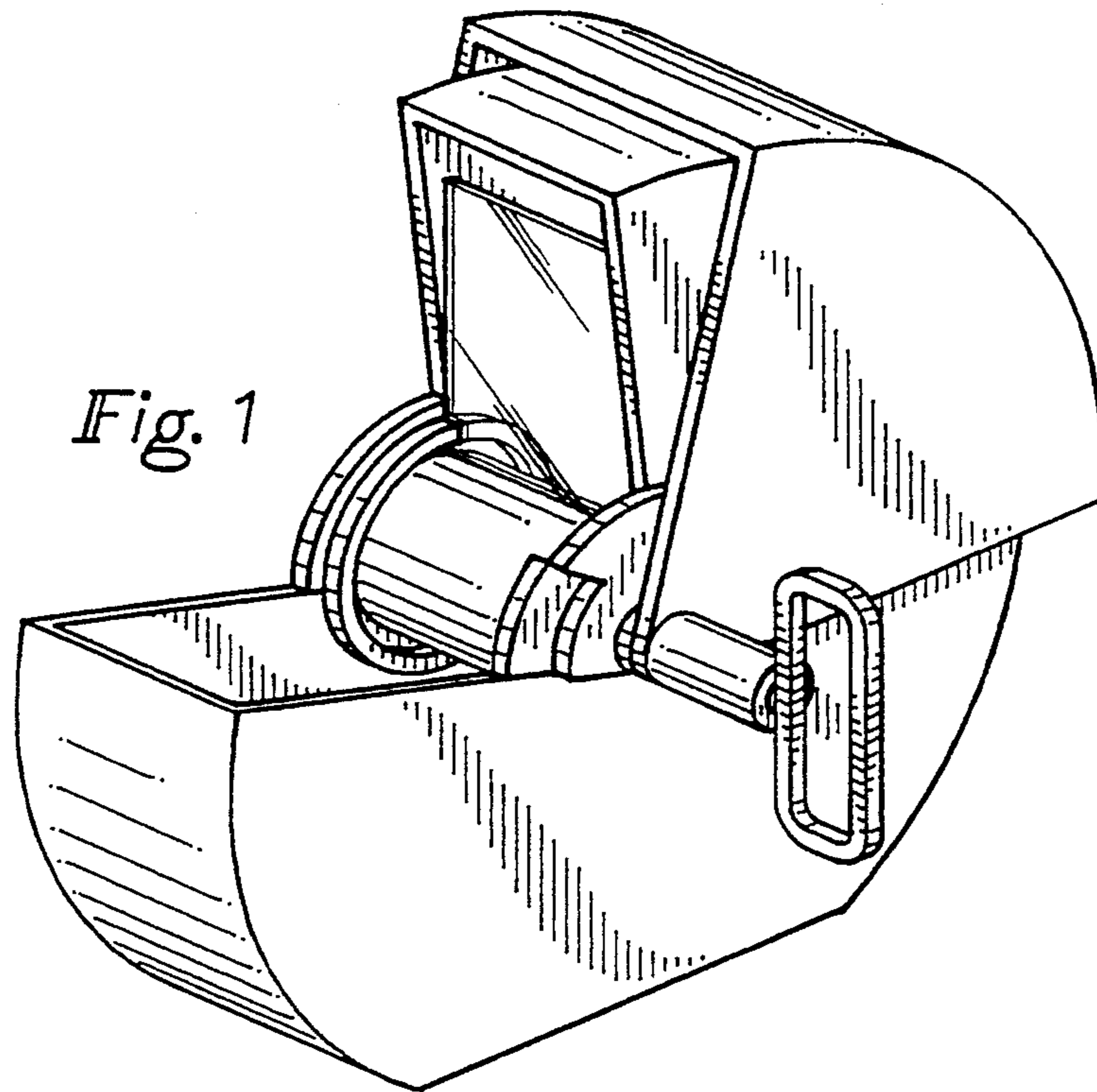
U.S. PATENT DOCUMENTS

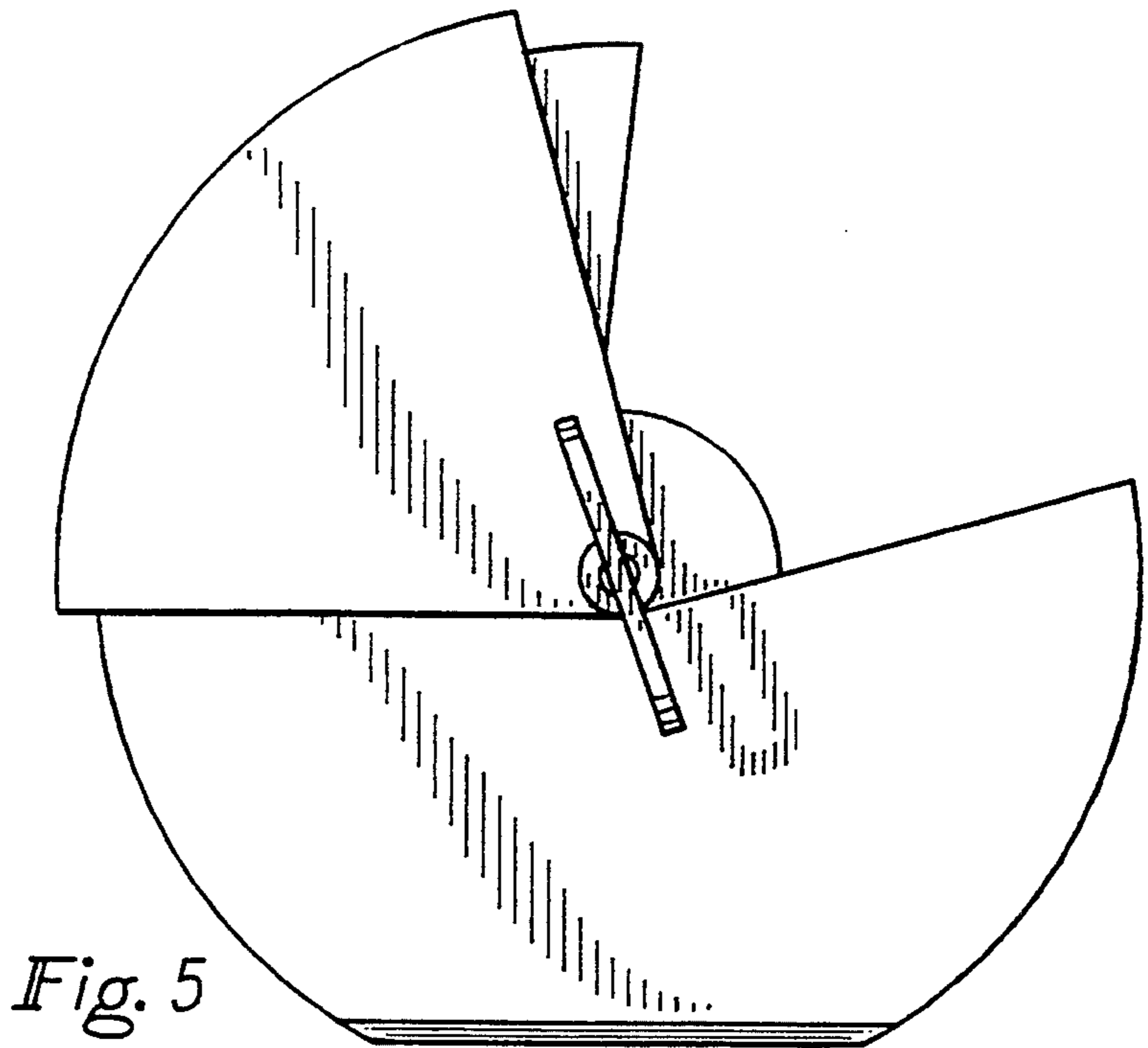
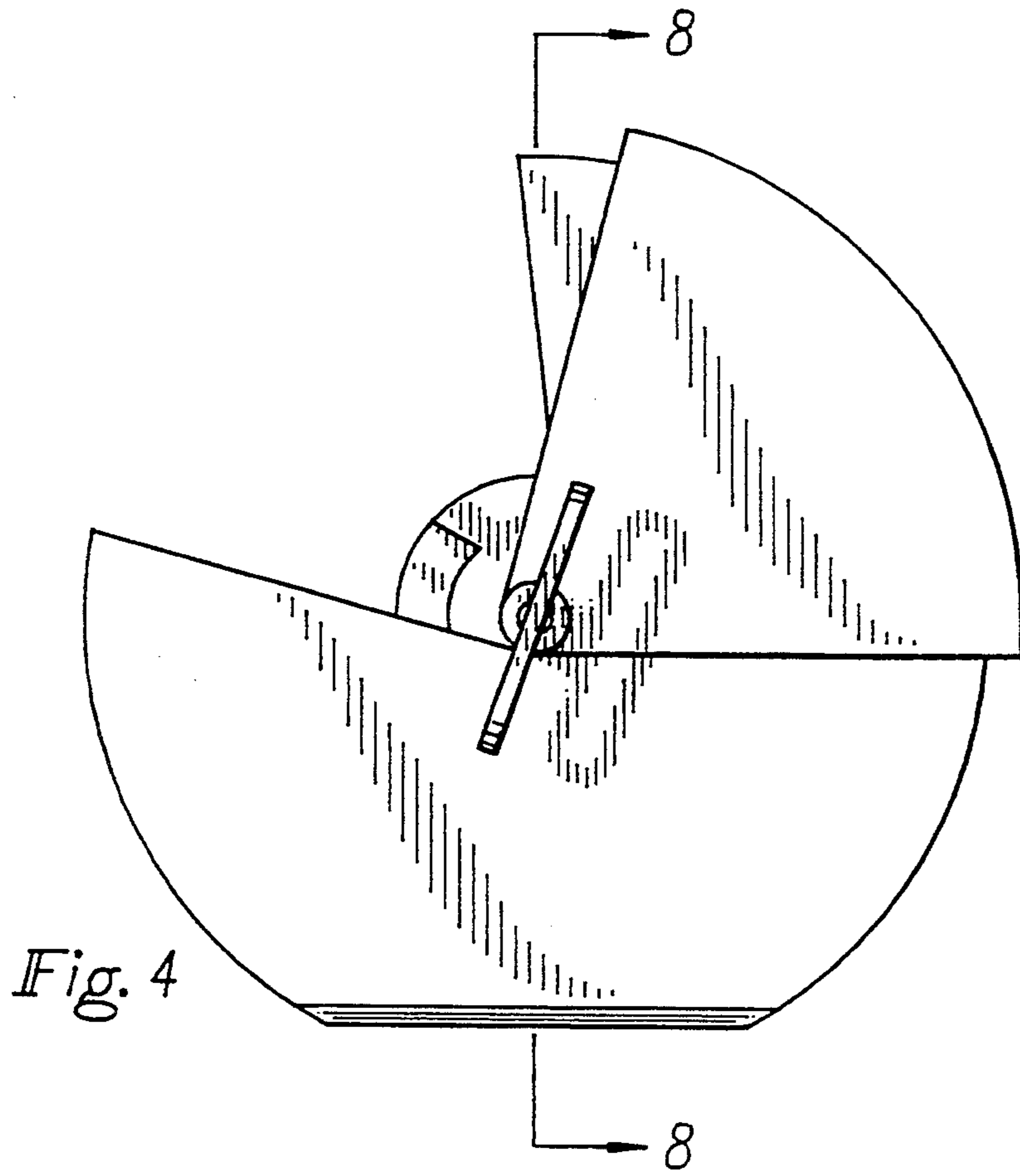
D. 175,997 11/1955 Arellano, Jr. D19/76 X
D. 179,899 3/1957 Jones D19/76
D. 232,868 9/1974 Scholfield D19/76
D. 261,280 10/1981 Goertz D19/76
D. 280,423 9/1985 Burton et al. D19/86 X
D. 304,735 11/1989 Zeszczak et al. D19/76
2,419,809 4/1947 Avery D6/515 X
4,035,938 7/1977 Neilsen 40/379
4,079,531 3/1978 Norris et al. 40/379
4,106,676 8/1978 Freerking .

DESCRIPTION

FIG. 1 is a perspective view of a rotating collectable card file showing our new design; FIG. 2 is a front elevation thereof; FIG. 3 is a rear elevation thereof; FIG. 4 is a right side elevation thereof; FIG. 5 is a left side elevation thereof; FIG. 6 is a top plan view thereof; FIG. 7 is a bottom plan view thereof; and, FIG. 8 is a cross-sectional inside view drawn along line 8—8 of FIG. 4.







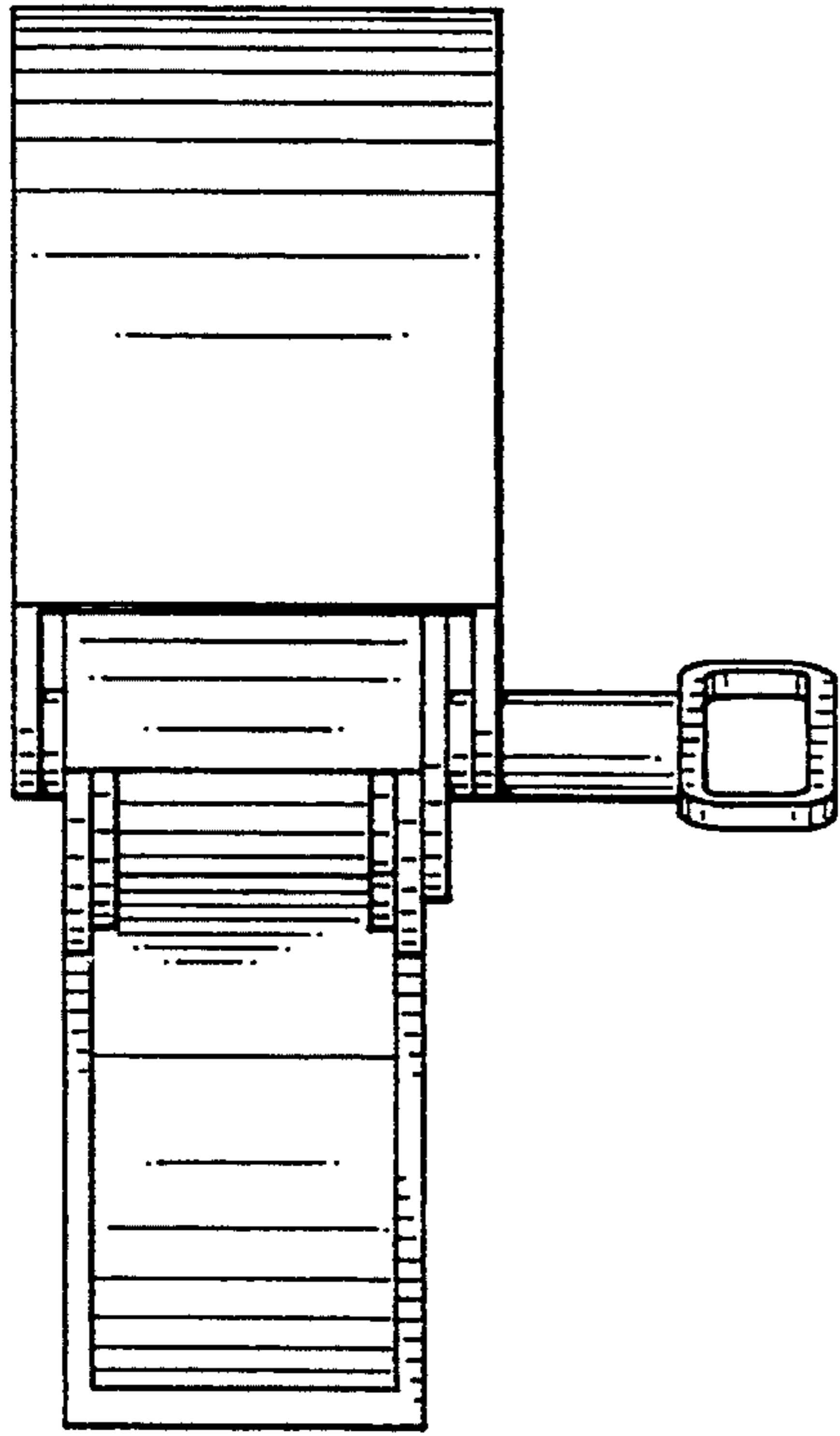


Fig. 6

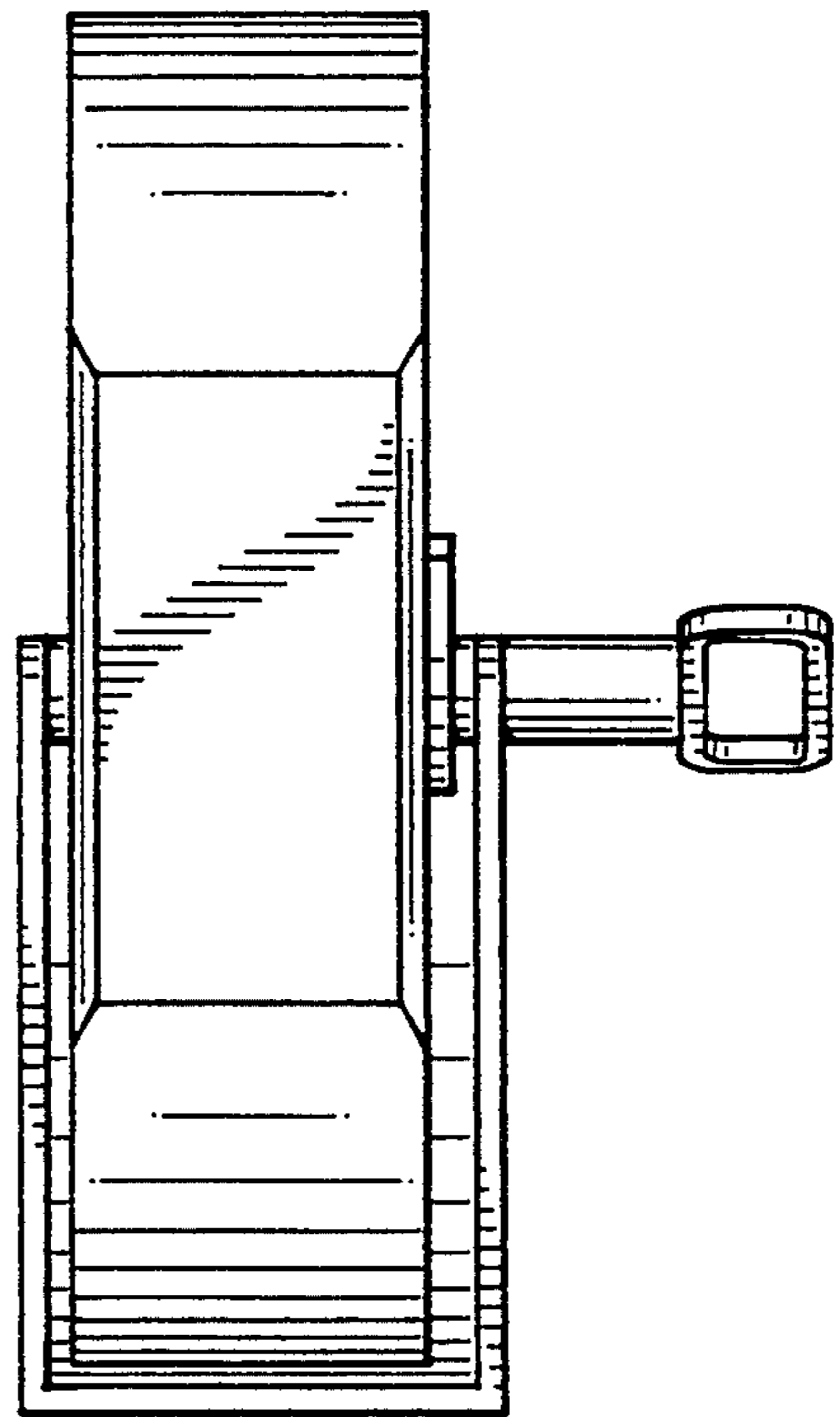


Fig. 7

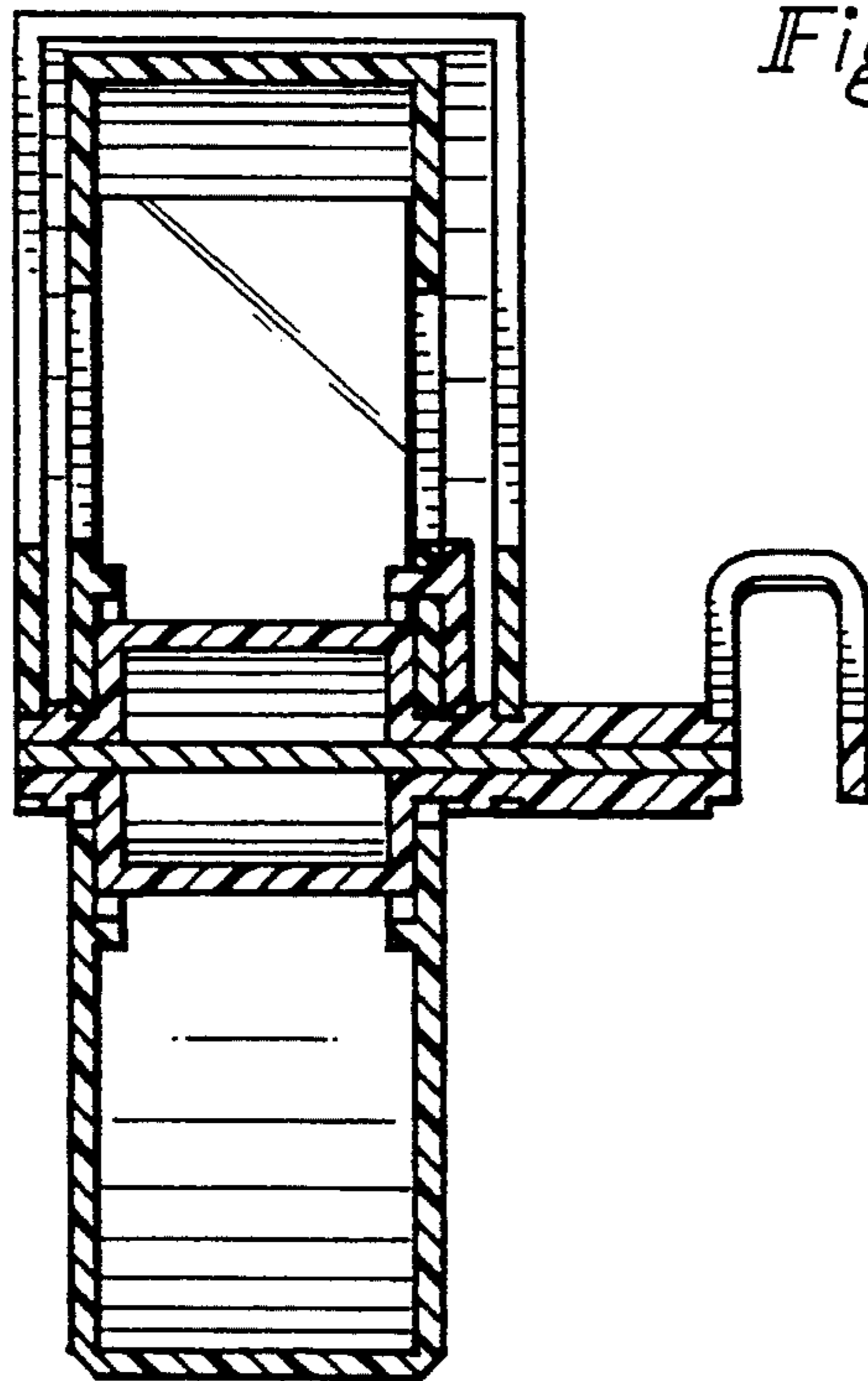


Fig. 8