



US00D353397S

# United States Patent [19]

[11] Patent Number: **Des. 353,397**

**Banik**

[45] Date of Patent: **\*\* Dec. 13, 1994**

[54] **GLUE APPLICATOR**

4,056,325 11/1977 Maruyama ..... 401/6 X  
4,911,569 3/1990 Hashimoto ..... 401/6 X  
5,000,599 3/1991 McCall et al. .... 401/6

[75] Inventor: **Gary Banik, Portland, Oreg.**

[73] Assignee: **Revell-Monogram, Inc., Morton Grove, Ill.**

*Primary Examiner*—Martie Thompson  
*Attorney, Agent, or Firm*—Dressler, Goldsmith, Shore & Milnamow, Ltd.

[\*\*] Term: **14 Years**

[21] Appl. No.: **14,920**

[57] **CLAIM**

The ornamental design for a glue applicator, as shown and described.

[22] Filed: **Nov. 3, 1993**

[52] U.S. Cl. .... **D19/66; D9/338; D19/43; D19/51; D19/55**

**DESCRIPTION**

[58] Field of Search ..... **D9/338; 401/6, 196, 401/198, 202, 260, 261; D19/35, 36, 65, 66, 41-51, 54-58**

FIG. 1 is a perspective view of a glue applicator showing my new design;  
FIG. 2 is a right side elevational view with the cap member removed for convenience of illustration;  
FIG. 3 is a front elevational view of FIG. 2, the rear view being a mirror image thereof;  
FIG. 4 is a left side elevational view of FIG. 2;  
FIG. 5 is a bottom plan view of FIG. 2;  
FIG. 6 is a top plan view of FIG. 2;  
FIG. 7 is a perspective view of FIG. 2; and,  
FIG. 8 is a top plan view of the cap member with the applicator body removed for convenience of illustration.

[56] **References Cited**

**U.S. PATENT DOCUMENTS**

|            |         |               |       |          |
|------------|---------|---------------|-------|----------|
| D. 46,588  | 10/1914 | Boman         | ..... | D19/55   |
| D. 147,847 | 11/1947 | Gittleson     | ..... | D9/338   |
| D. 319,175 | 8/1991  | Ruesch et al. | ..... | D9/338 X |
| D. 319,469 | 8/1991  | Rutter        | ..... | D19/43 X |
| D. 339,606 | 9/1993  | Podobrin      | ..... | D19/43   |
| 1,598,873  | 9/1926  | Peterson      | ..... | 401/6    |
| 2,173,451  | 9/1939  | Lorber        | ..... | 401/6    |

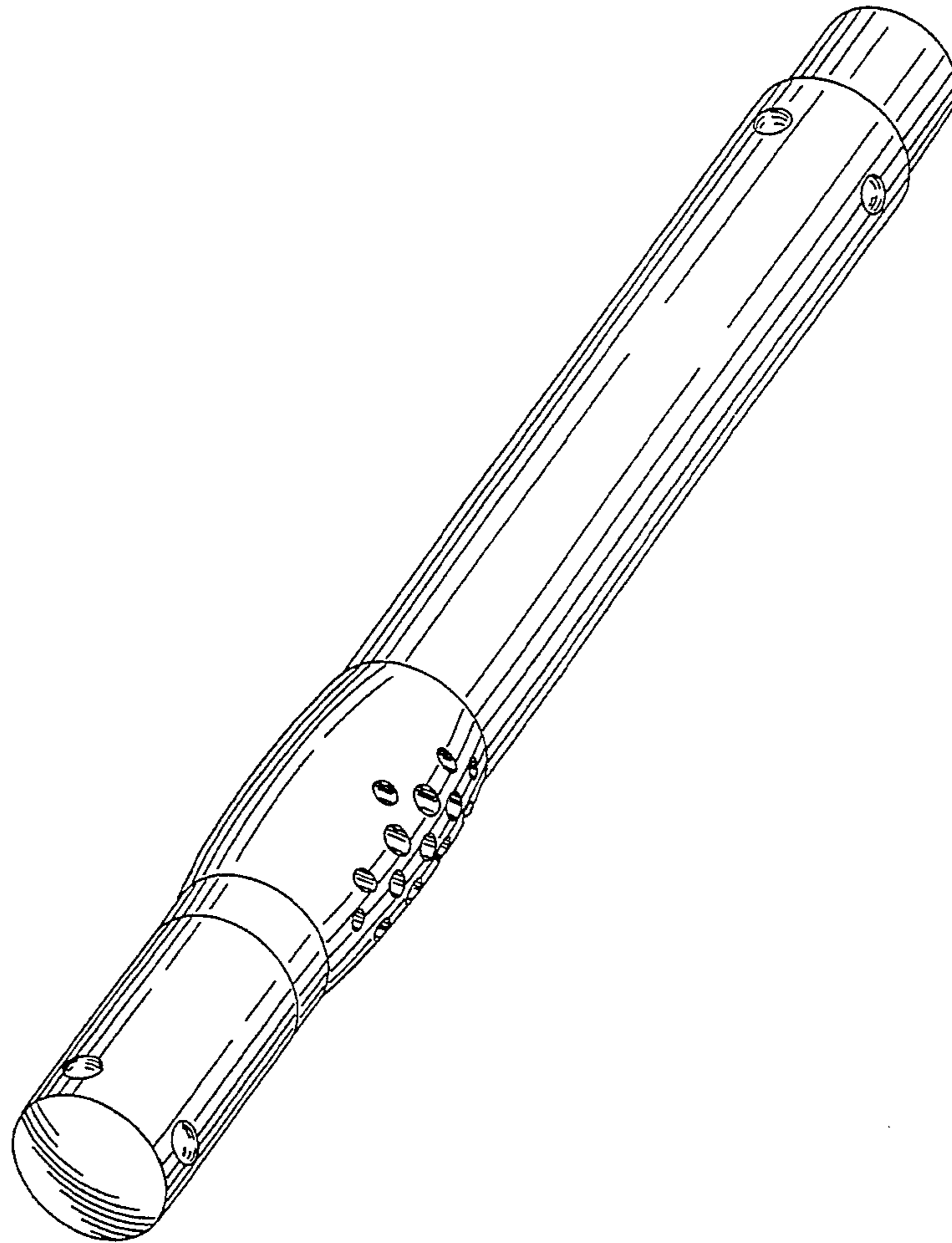


FIG. 7

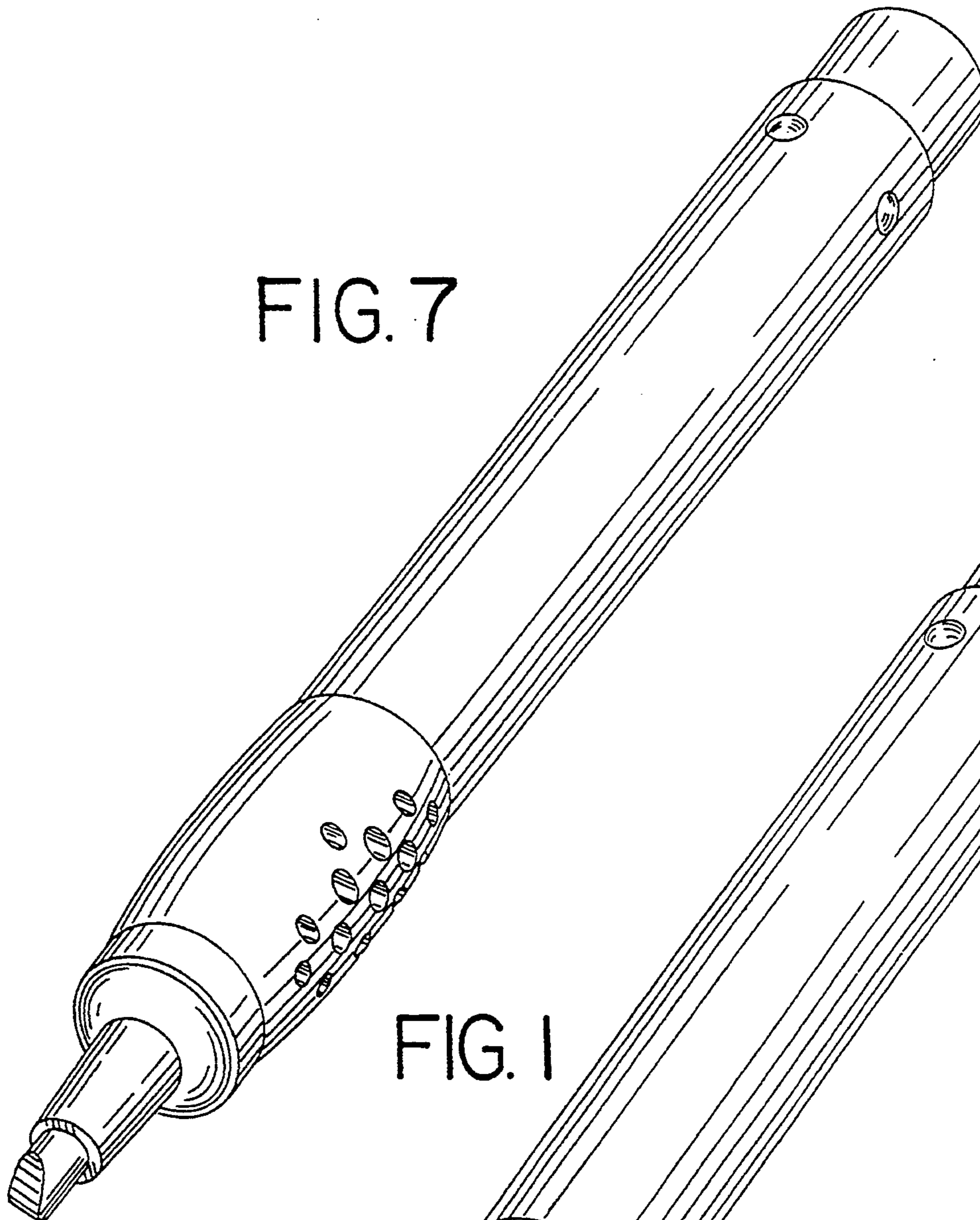


FIG. 1

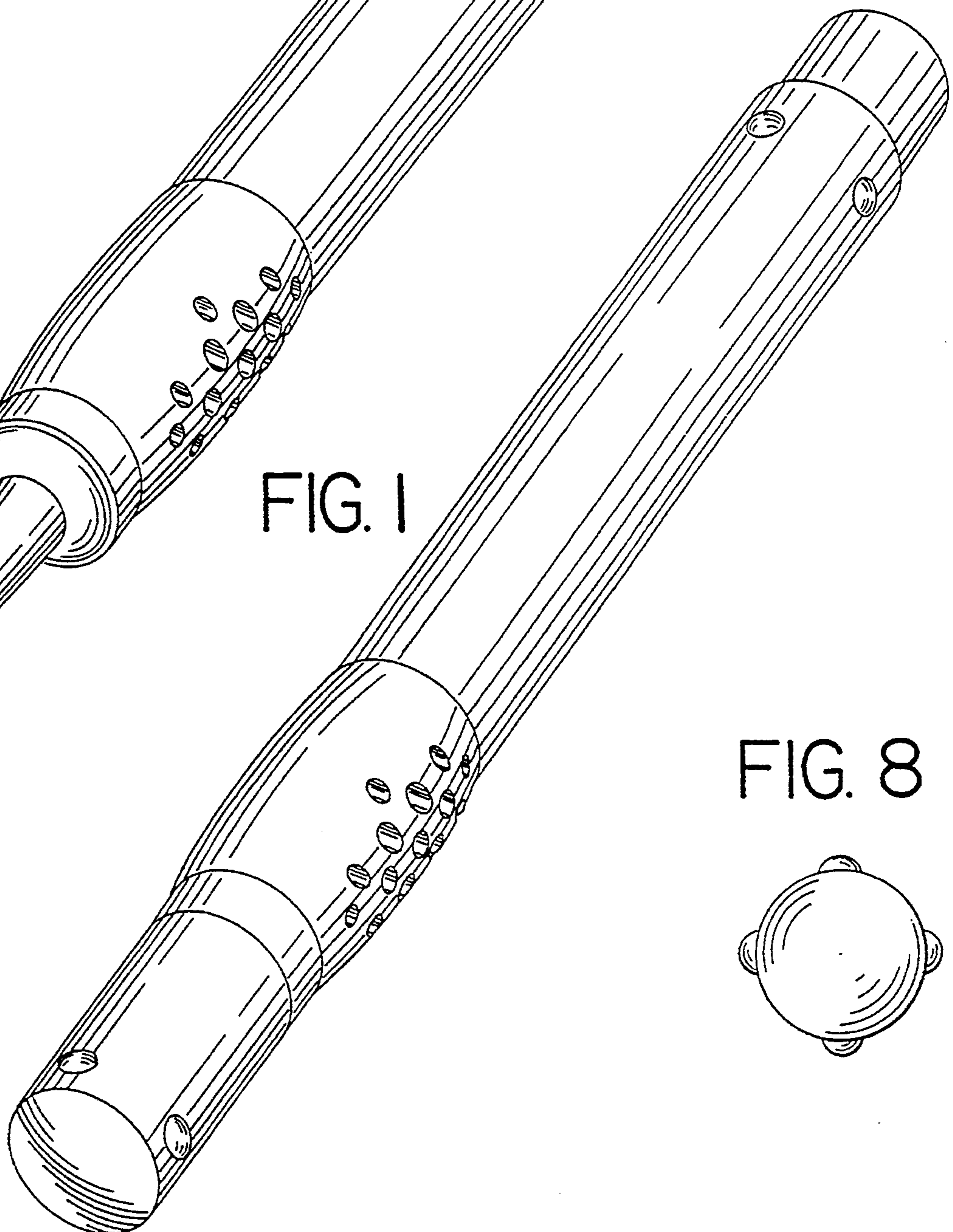


FIG. 8

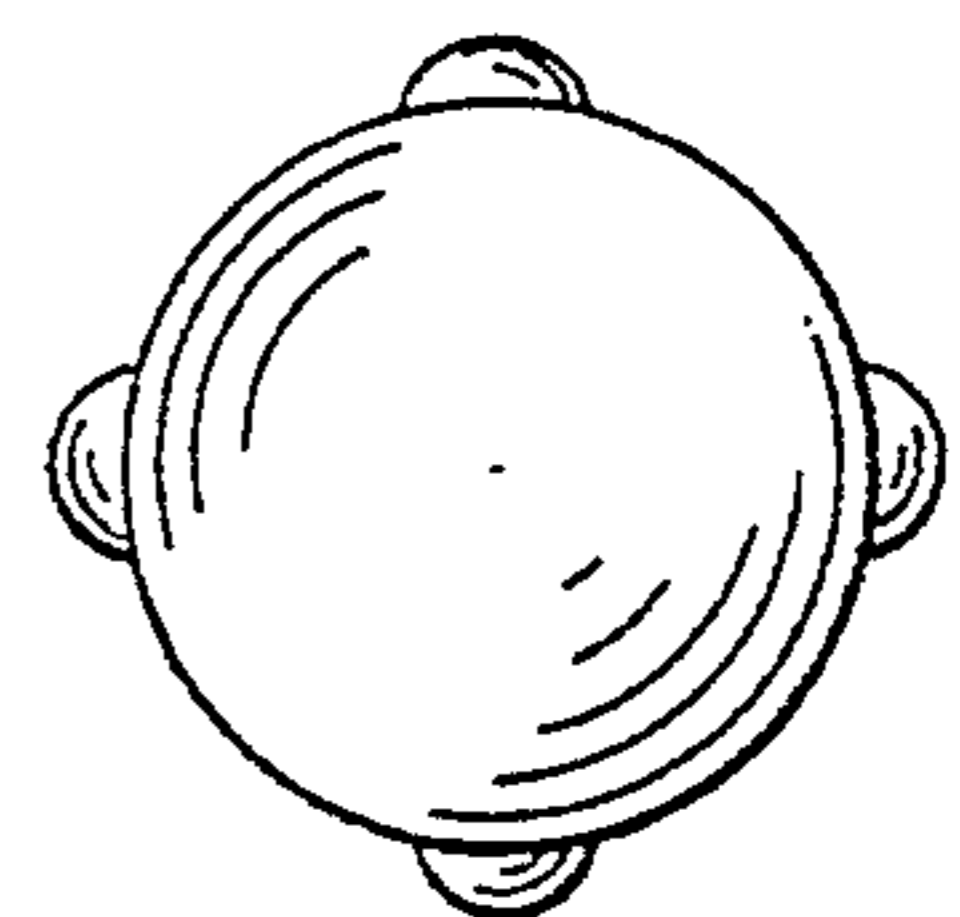


FIG. 2

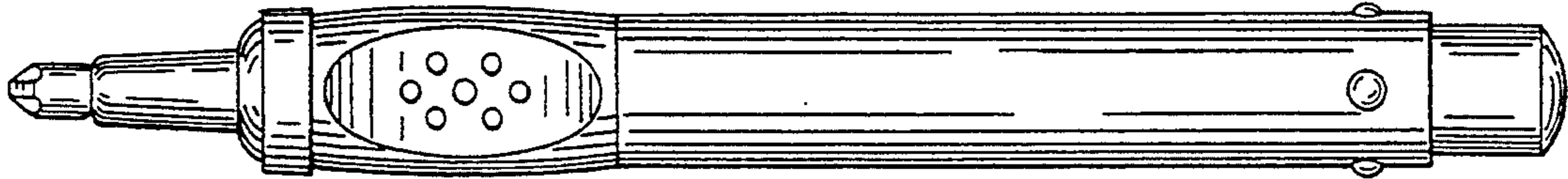


FIG. 3

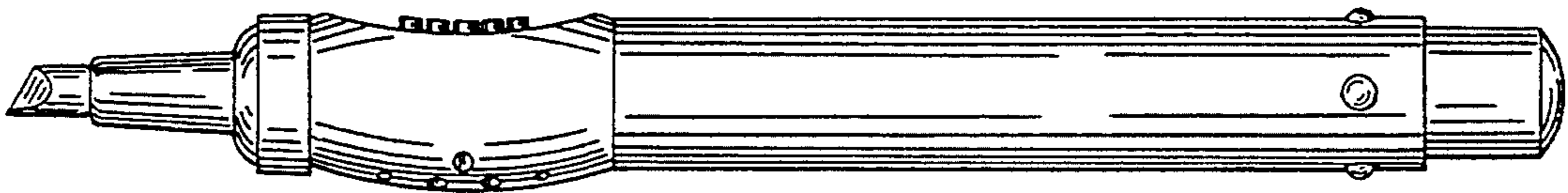


FIG. 4

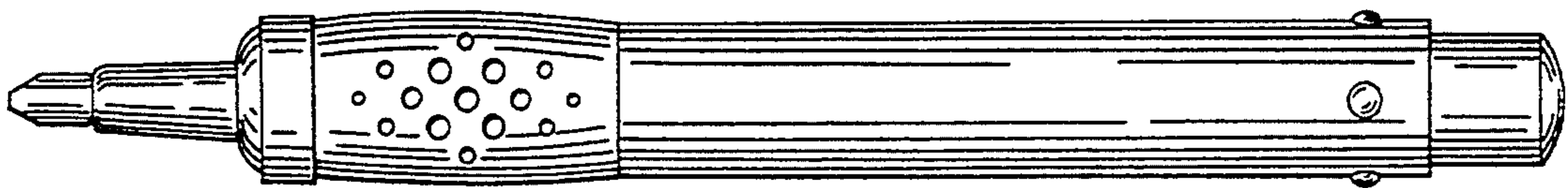


FIG. 5

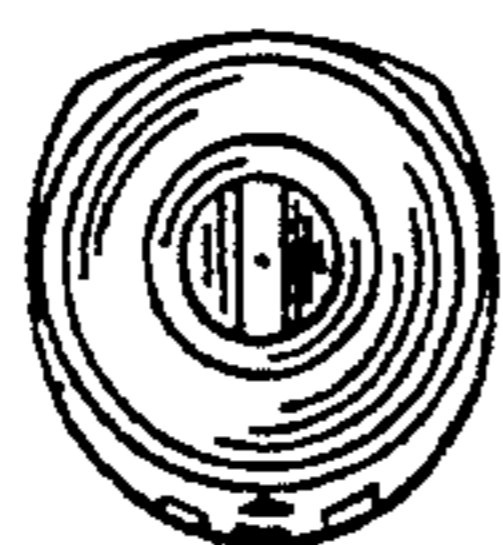


FIG. 6

