



US00D353396S

United States Patent [19]

[11] Patent Number: **Des. 353,396**

Hiraishi et al.

[45] Date of Patent: **** Dec. 13, 1994**

[54] **OFFSET PRINTING MACHINE**

4,327,641	5/1982	Goodwin et al.	101/184
4,414,896	11/1983	Fischer	101/184
4,960,049	10/1990	Mimura et al.	101/183

[75] Inventors: **Etsuo Hiraishi, Tokyo; Hideo Aoyama, Hiroshima, both of Japan**

[73] Assignee: **Ryobi, Ltd., Hiroshima, Japan**

[**] Term: **14 Years**

[21] Appl. No.: **6,229**

[22] Filed: **Mar. 23, 1993**

[30] **Foreign Application Priority Data**

Sep. 28, 1992 [JP] Japan 4-28386

[52] U.S. Cl. **D18/53**

[58] Field of Search 101/136-137, 101/141-142, 183-184, 217; D18/53

[56] **References Cited**

U.S. PATENT DOCUMENTS

D. 265,914	8/1982	Hiraishi et al.	D18/53
D. 324,537	3/1992	Maehara et al.	D18/53

OTHER PUBLICATIONS

Ryobi 522 brochure; Jan. 1991; p. 2.

Primary Examiner—Cathy Anne MacCormac
Attorney, Agent, or Firm—Sughrue, Mion, Zinn, Macpeak & Seas

[57] **CLAIM**

The ornamental design for an offset printing machine, as shown and described.

DESCRIPTION

FIG. 1 is a front, top and right side perspective view of an offset printing machine showing our new design; FIG. 2 is a right side elevational view thereof; FIG. 3 is a left side elevational view thereof; FIG. 4 is a front elevational view thereof; FIG. 5 is a rear elevational view thereof; and, FIG. 6 is a top plan view thereof.

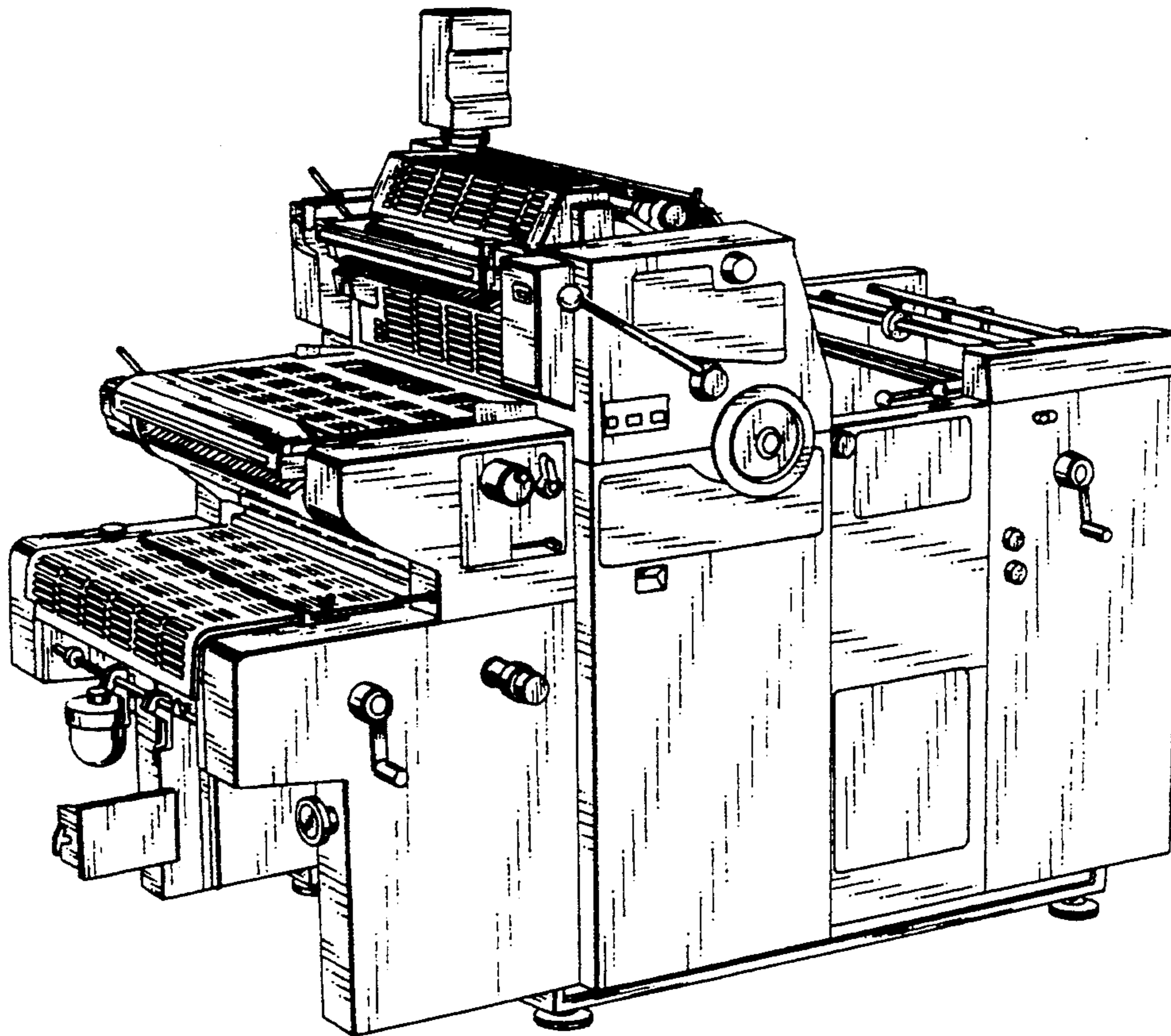


FIG. 1

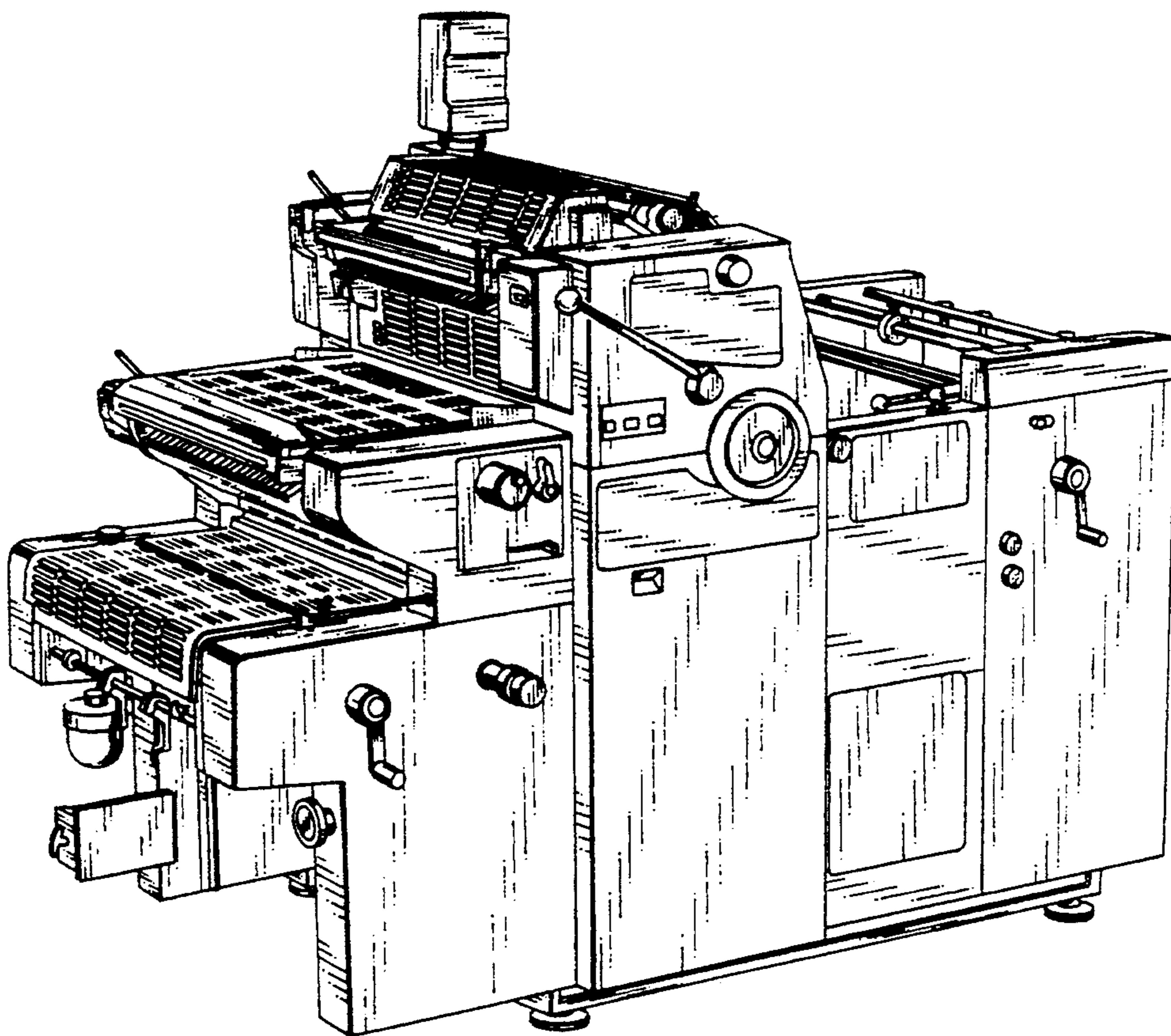


FIG. 2

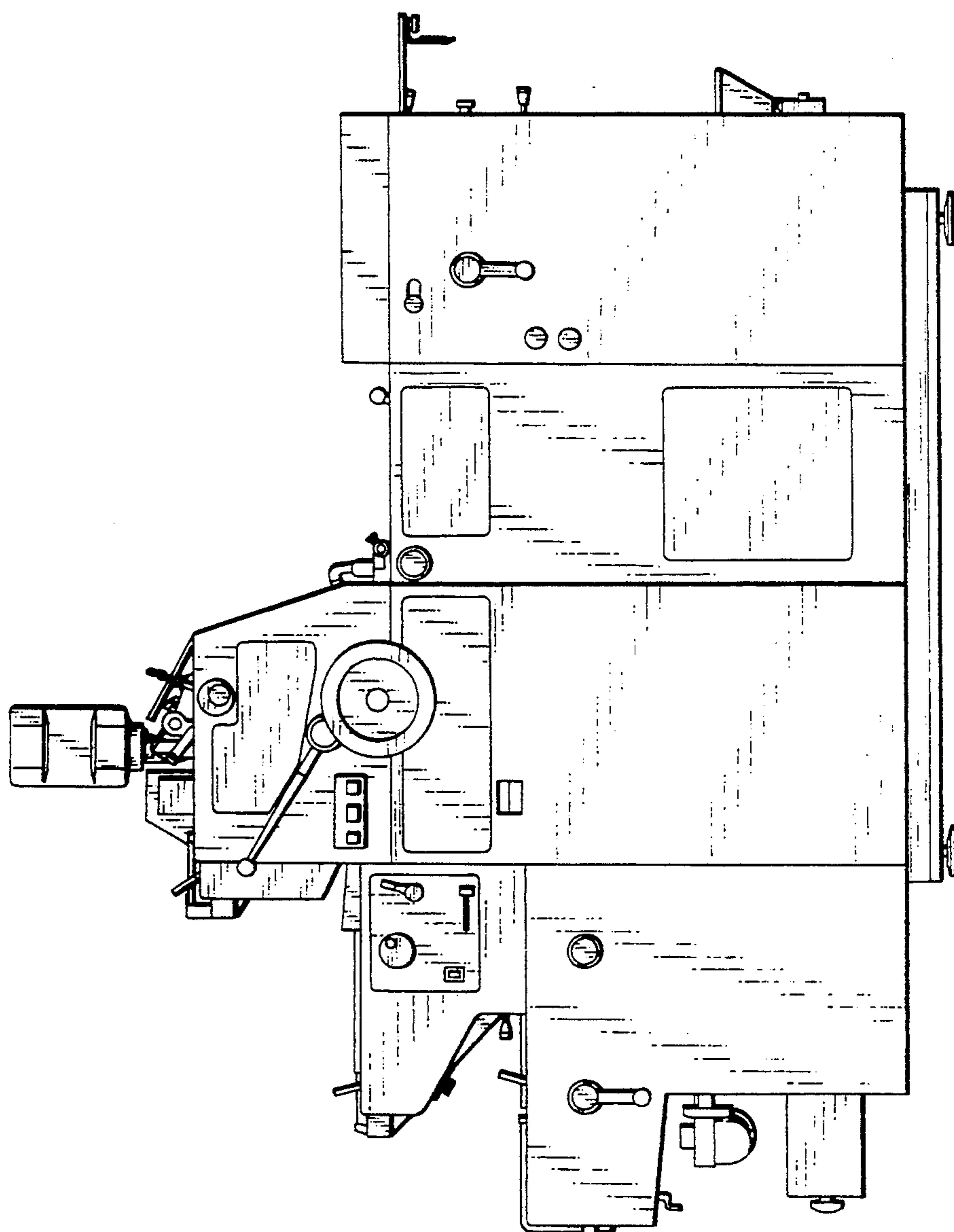


FIG. 3

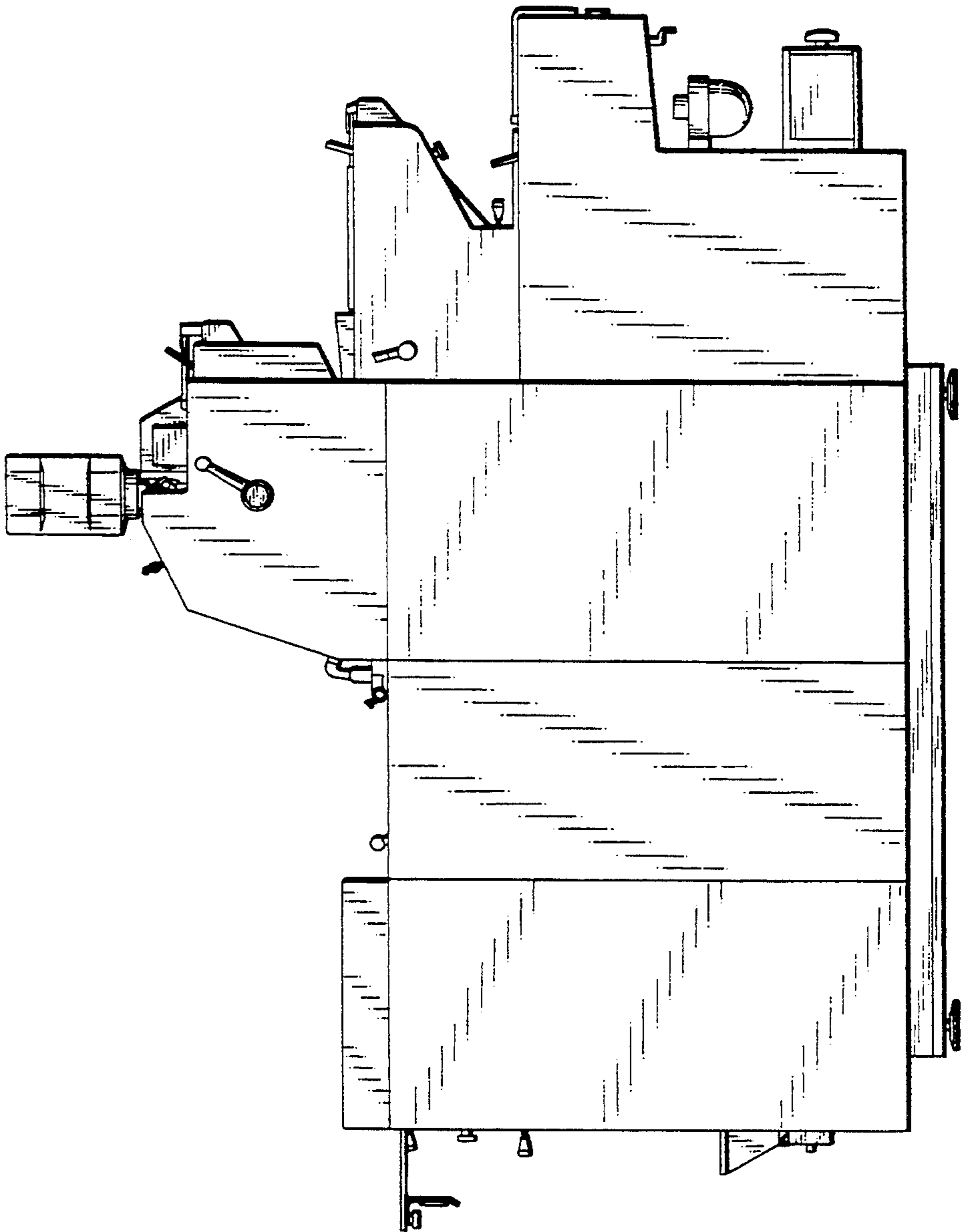


FIG. 4

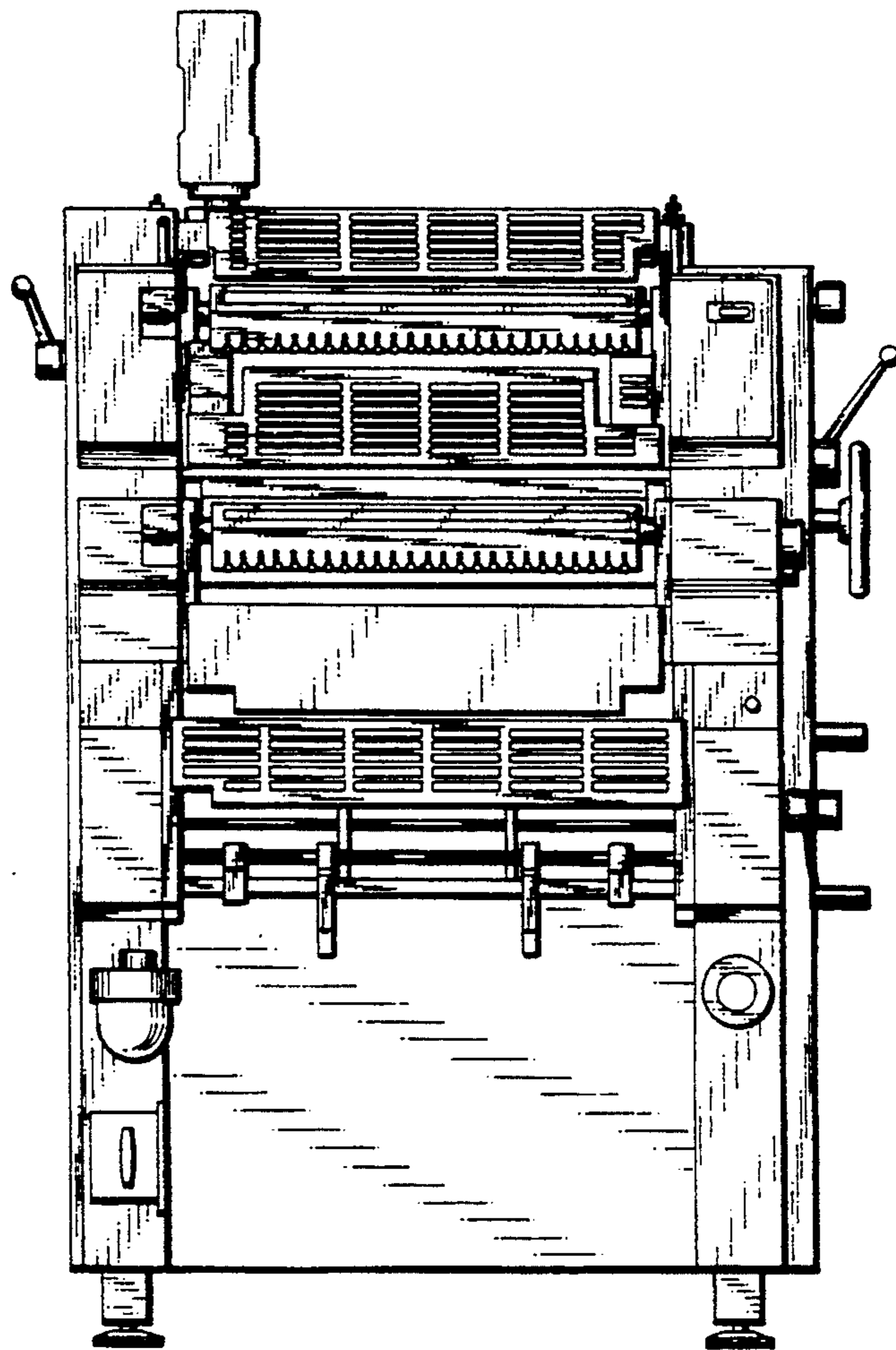


FIG. 5

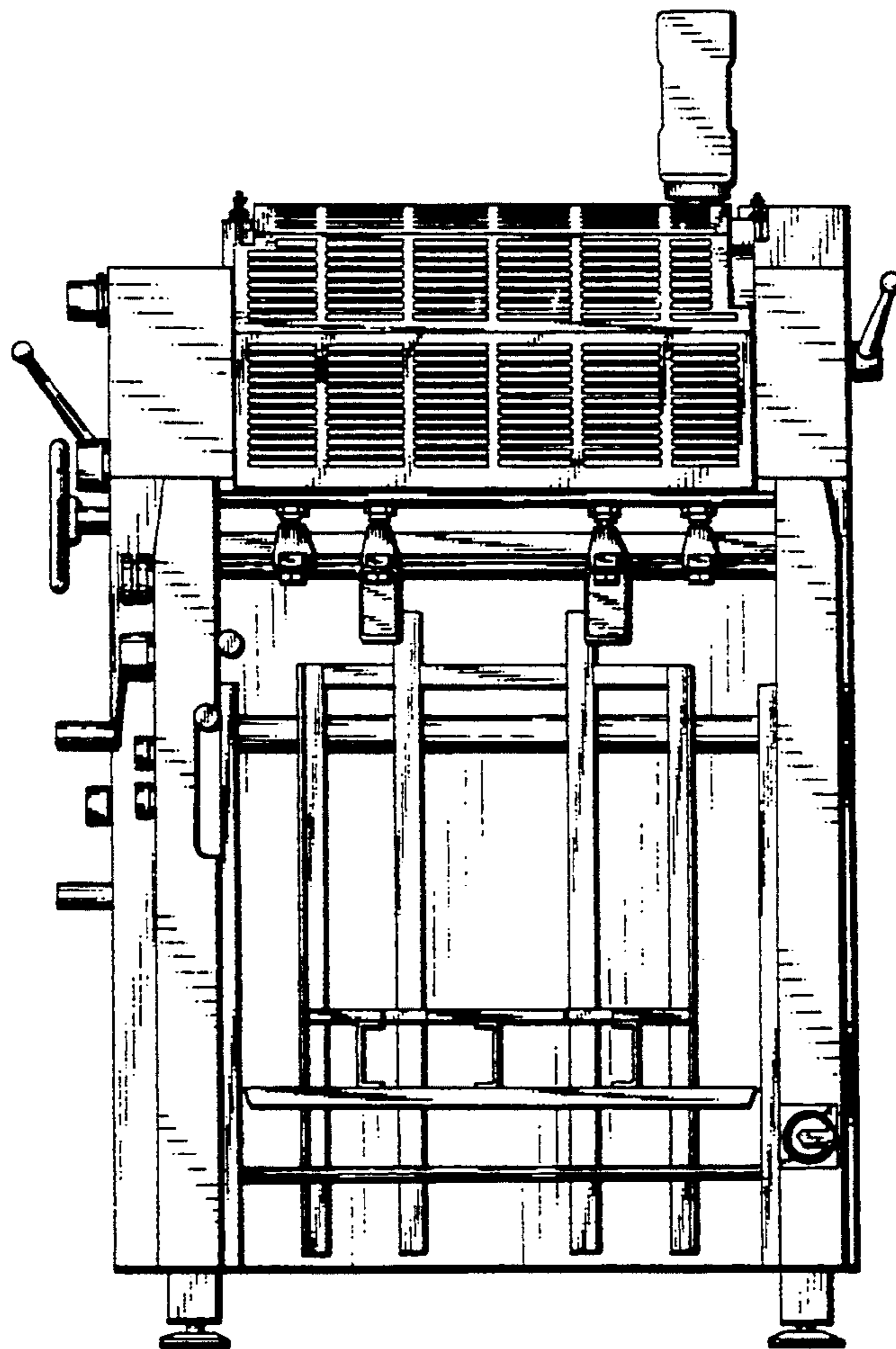


FIG. 6

