



US00D353393S

United States Patent [19]

[11] Patent Number: **Des. 353,393**

Scholpp

[45] Date of Patent: **** Dec. 13, 1994**

[54] **HAND STAMP**

[75] Inventor: **Werner Scholpp**, Vaihingen, Germany

[73] Assignee: **Stempel-Schilder-Druck Maurer GmbH & Co. KG**, Stuttgart, Germany

[**] Term: **14 Years**

[21] Appl. No.: **2,727**

[22] Filed: **Dec. 17, 1992**

D. 247,261	2/1978	Hörmann	D18/15
638,187	11/1899	Smith	101/379
1,347,152	7/1920	Folger	101/368
1,391,858	9/1921	Schmidt	101/368
2,143,833	1/1939	Moss	101/379
3,019,201	1/1962	Clancy et al.	101/327
3,103,879	9/1963	Carlson	D18/14
3,342,911	9/1967	Funahashi	101/327

FOREIGN PATENT DOCUMENTS

0024374	3/1981	European Pat. Off.	101/327
623497	12/1935	Germany	101/368
0212949	12/1983	Japan	101/379
462477	3/1937	United Kingdom	101/379
8200426	2/1982	WIPO	101/327

Related U.S. Application Data

[62] Division of Ser. No. 575,887, Aug. 31, 1990, Pat. No. 8,334,767.

[30] Foreign Application Priority Data

Jun. 22, 1992 [DE] Germany 9204659

[52] U.S. Cl. **D18/15**

[58] Field of Search 101/28-31,
101/405, 327, 368, 379, 333; D19/71;
D18/14-16

[56] References Cited

U.S. PATENT DOCUMENTS

D. 29,469	10/1898	Rothschild	D18/15
D. 176,581	1/1956	Albert	D18/15
D. 217,308	4/1970	O'Donnell	D18/15

Primary Examiner—Cathy Anne MacCormac
Attorney, Agent, or Firm—Anderson Kill Olick & Oshinsky

[57] CLAIM

The ornamental design for a hand stamp, as shown and described.

DESCRIPTION

FIG. 1 is a perspective front view of a hand stamp showing my new design;
FIG. 2 is a front elevational view thereof wherein the opposite side thereof is a mirror image of the view shown; and,
FIG. 3 is a side view thereof wherein the opposite side thereof is a mirror image of the view shown.

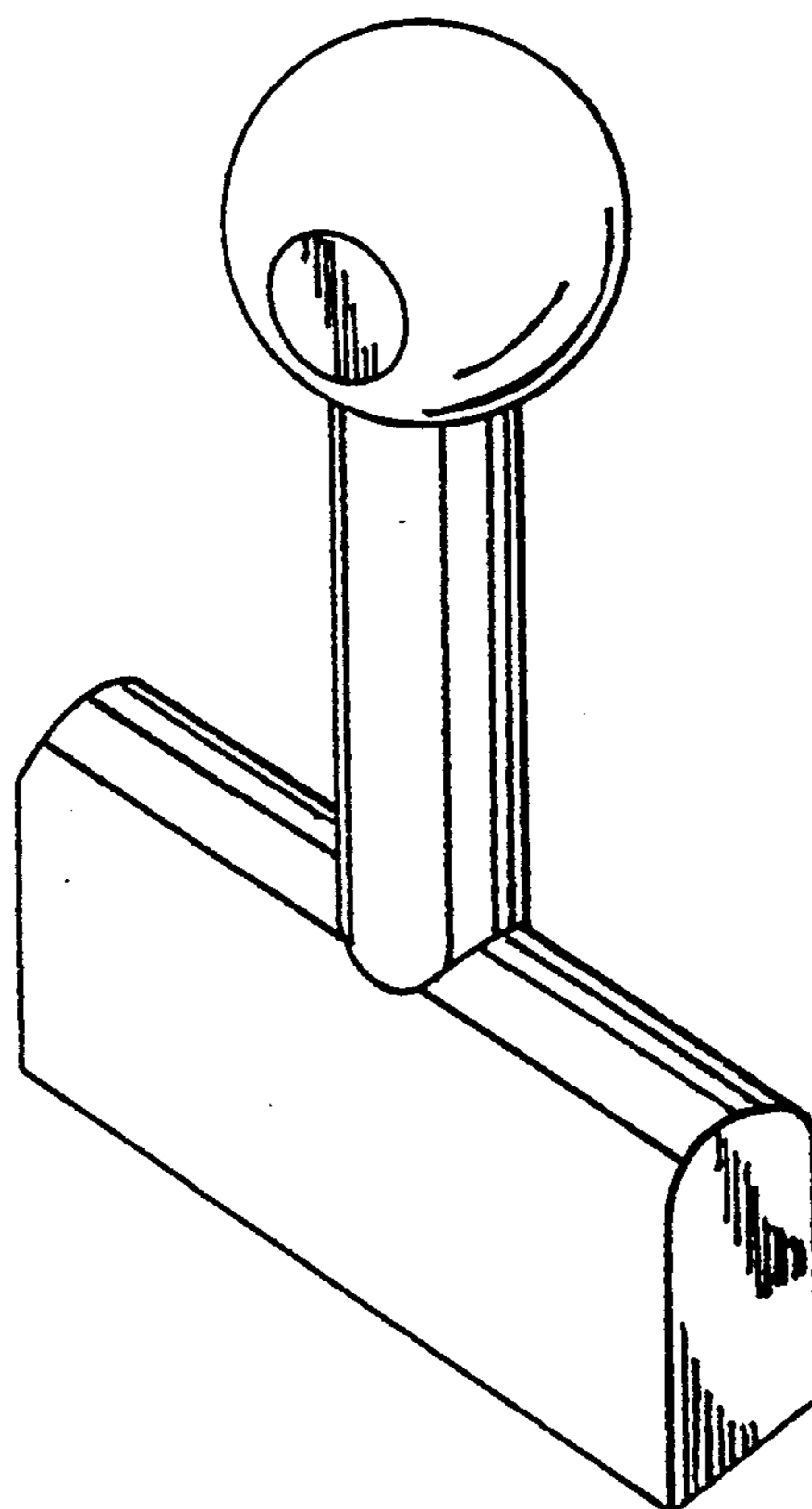


FIG. 1

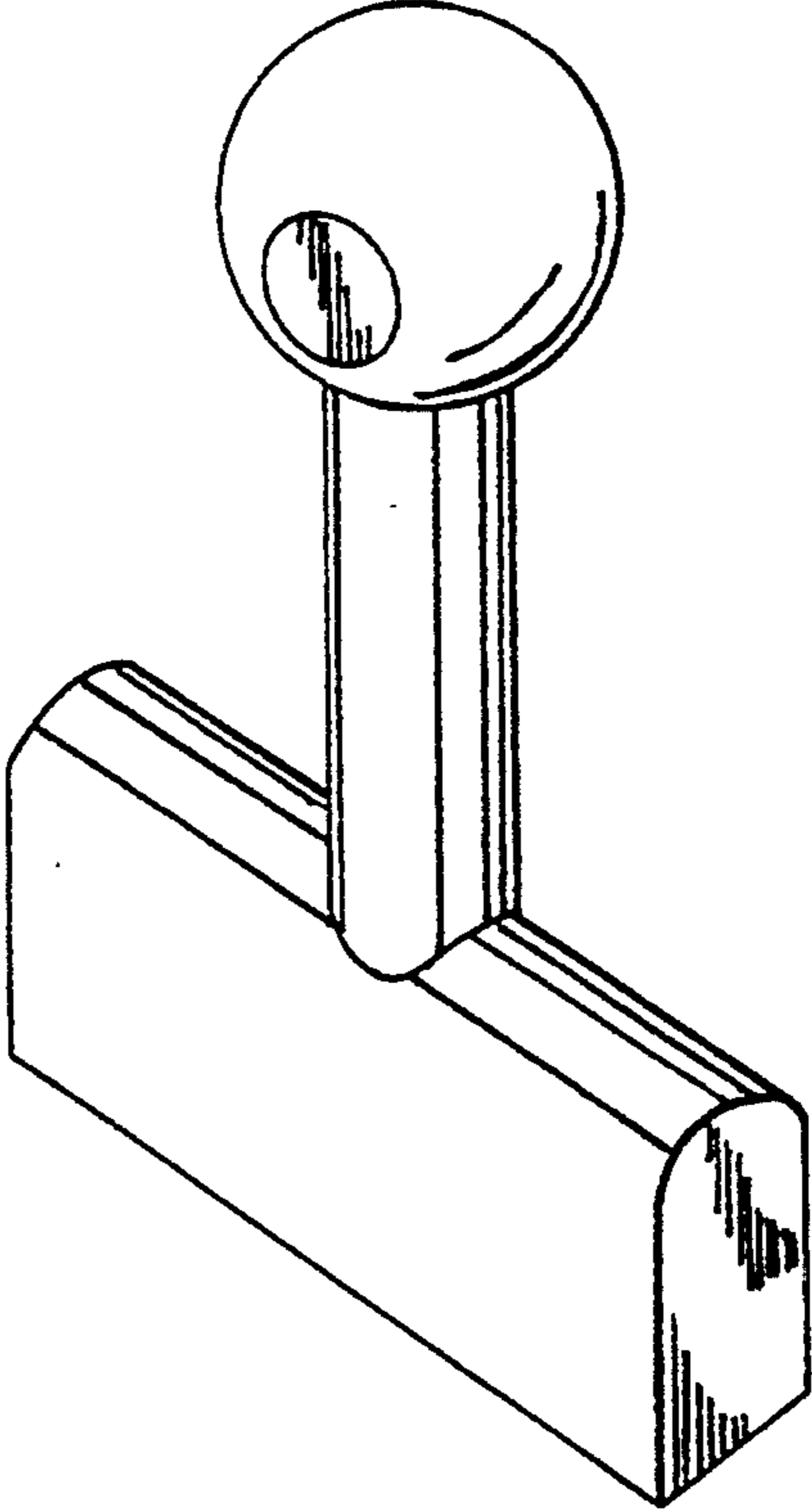


FIG. 2

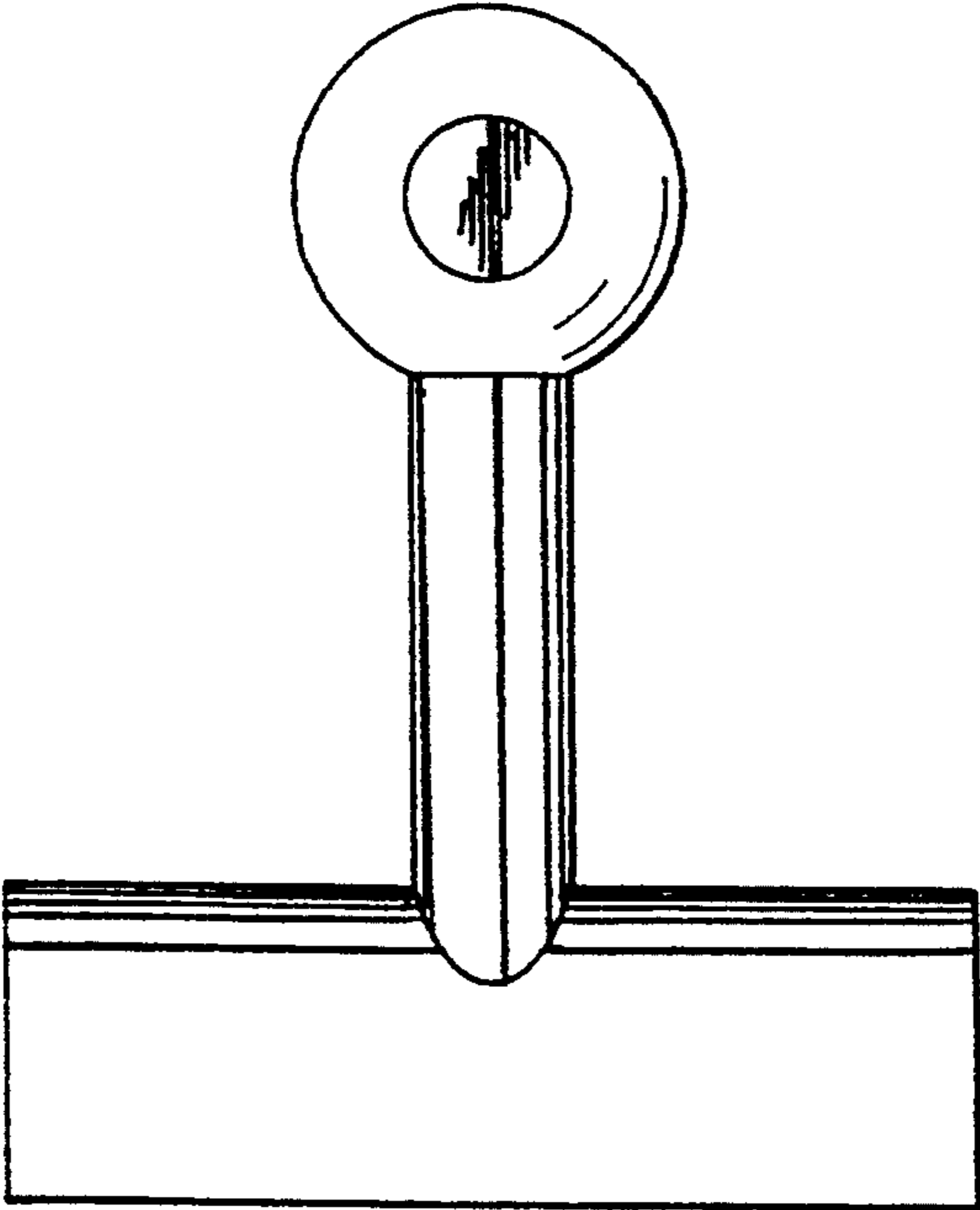


FIG. 3

