



US00D353391S

United States Patent [19]

[11] Patent Number: **Des. 353,391**

Kato et al.

[45] Date of Patent: **** Dec. 13, 1994**

[54] CASH REGISTER

DESCRIPTION

- [75] Inventors: **Shuzo Kato, Hiratsuka; Asami Nemoto, Ohi; Motohiro Kochiya, Chigasaki, all of Japan**
- [73] Assignee: **NCR Corporation, Dayton, Ohio**
- [**] Term: **14 Years**
- [21] Appl. No.: **954,986**
- [22] Filed: **Sep. 28, 1992**
- [30] **Foreign Application Priority Data**
- | | | |
|--------------------|-------------|--------|
| Mar. 30, 1992 [JP] | Japan | 4-8770 |
| Mar. 30, 1992 [JP] | Japan | 4-8771 |
| Mar. 30, 1992 [JP] | Japan | 4-8772 |
| Mar. 30, 1992 [JP] | Japan | 4-8773 |
| Mar. 30, 1992 [JP] | Japan | 4-8774 |
| Mar. 30, 1992 [JP] | Japan | 4-8775 |
- [52] U.S. Cl. **D18/4; D14/105; D14/106**
- [58] Field of Search 235/1 D, 1 E, 2, 4, 235/7 R, 10, 375, 379, 380, 419; 364/404, 405; D18/4, 7; D14/105, 106

FIG. 1 is a perspective view of a cash register showing our new design;

FIG. 2 is a front view of the cash register shown in FIG. 1;

FIG. 3 is a rear view of the cash register shown in FIG. 1;

FIG. 4 is a left side view of the cash register shown in FIG. 1;

FIG. 5 is a right side view of the cash register shown in FIG. 1;

FIG. 6 is a top view of the cash register shown in FIG. 1;

FIG. 7 is a bottom view of the cash register shown in FIG. 1;

FIG. 8 is a perspective view of a second embodiment of our new design of FIGS. 1-7;

FIG. 9 is a front view of the cash register shown in FIG. 8;

FIG. 10 is a rear view of the cash register shown in FIG. 8;

FIG. 11 is a left side view of the cash register shown in FIG. 8;

FIG. 12 is a right side view of the cash register shown in FIG. 8;

FIG. 13 is a top view of the cash register shown in FIG. 8;

FIG. 14 is a bottom view of the cash register shown in FIG. 8;

FIG. 15 is a perspective view of a third embodiment of our new design of FIGS. 1-7;

FIG. 16 is a front view of the cash register shown in FIG. 15;

FIG. 17 is a rear view of the cash register shown in FIG. 15;

FIG. 18 is a left side view of the cash register shown in FIG. 15;

FIG. 19 is a right side view of the cash register shown in FIG. 15;

FIG. 20 is a top view of the cash register shown in FIG. 15; and,

FIG. 21 is a bottom view of the cash register shown in FIG. 15.

[56] References Cited

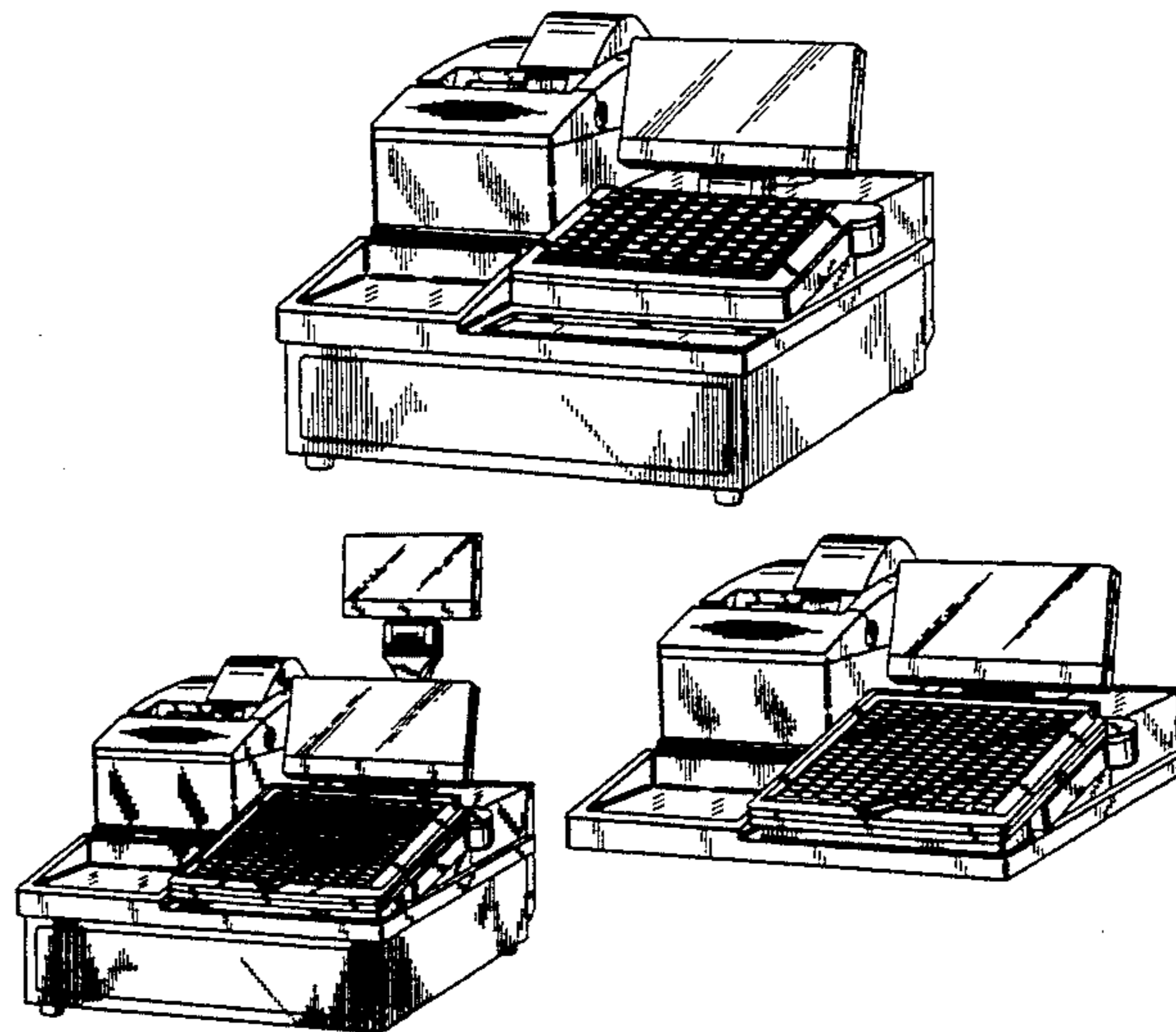
U.S. PATENT DOCUMENTS

- | | | | |
|------------|---------|----------------------|-----------|
| D. 278,542 | 4/1985 | Kakiuchi et al. | D18/4 |
| D. 303,536 | 9/1989 | Miyaji et al. | D18/4 |
| D. 314,395 | 2/1991 | Forsythe et al. | D18/4 |
| D. 321,706 | 11/1991 | Yamamoto | D14/106 X |
| D. 333,147 | 2/1993 | Miyake et al. | D18/4 |
| 4,833,609 | 5/1989 | Grulke, Jr. | D18/4 X |

Primary Examiner—Alan P. Douglas
Assistant Examiner—Caron D. Veynar
Attorney, Agent, or Firm—Craig E. Miller

[57] CLAIM

The ornamental design for a cash register, as shown and described.



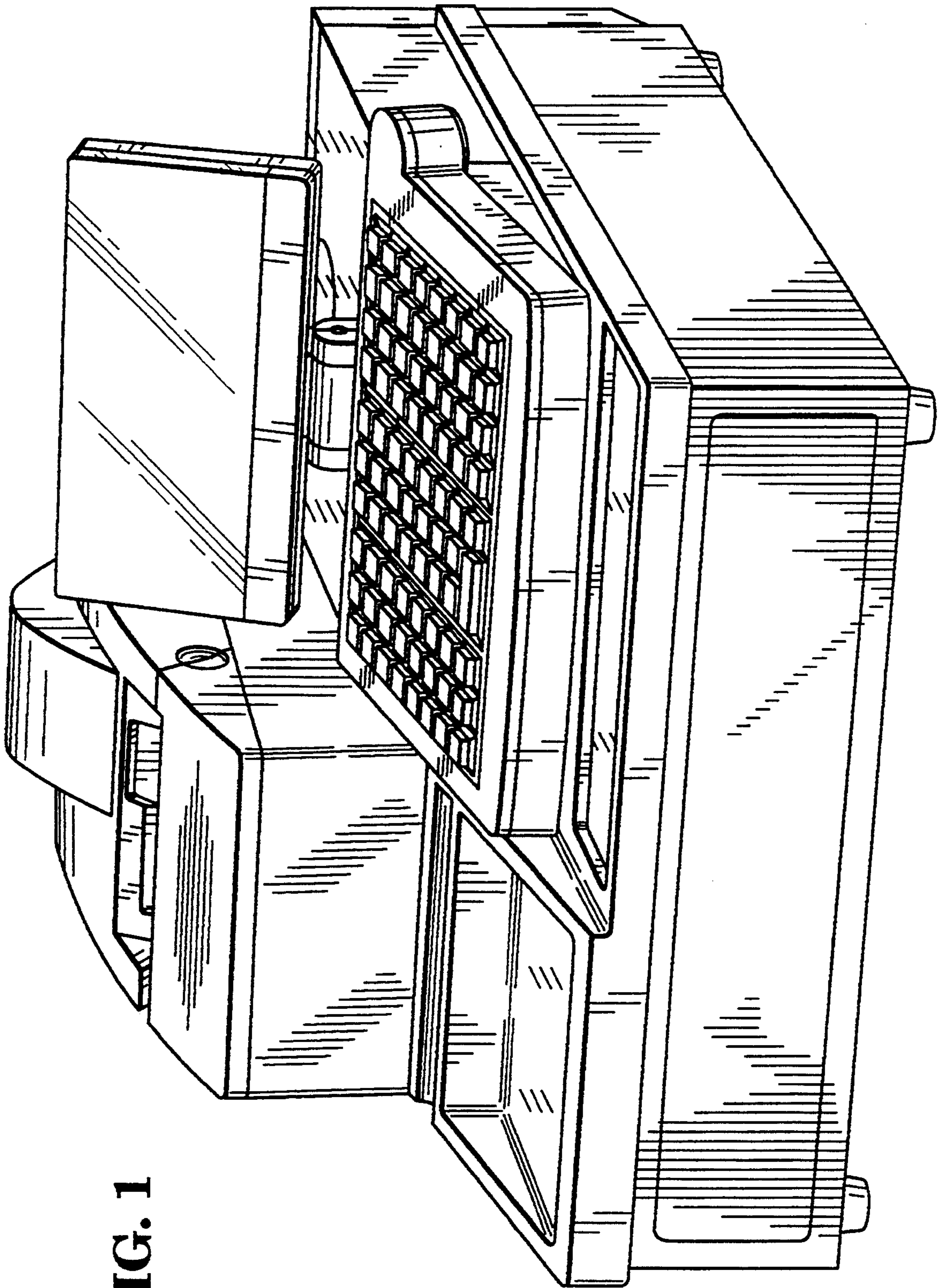


FIG. 1

FIG. 2

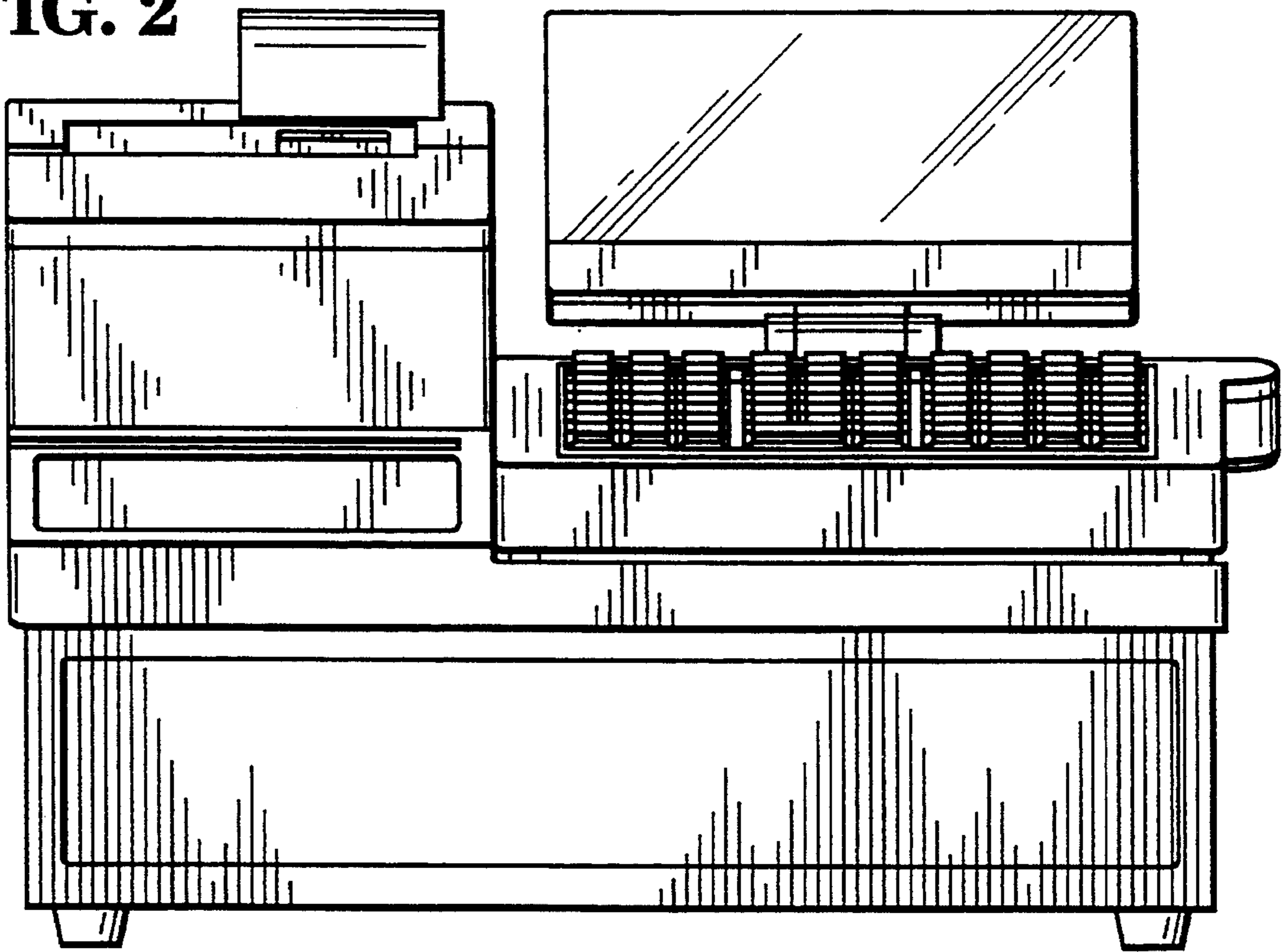


FIG. 3

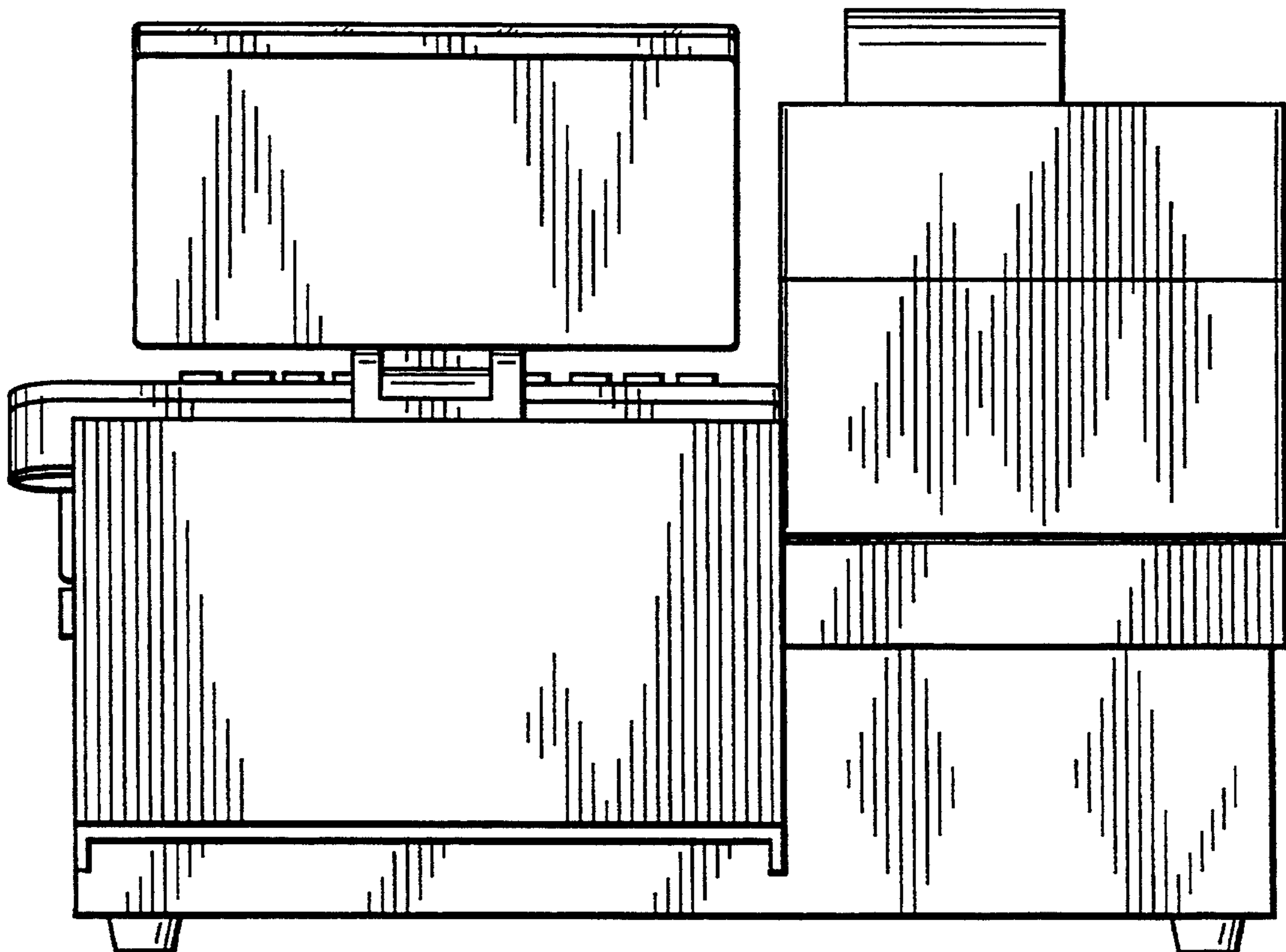


FIG. 4

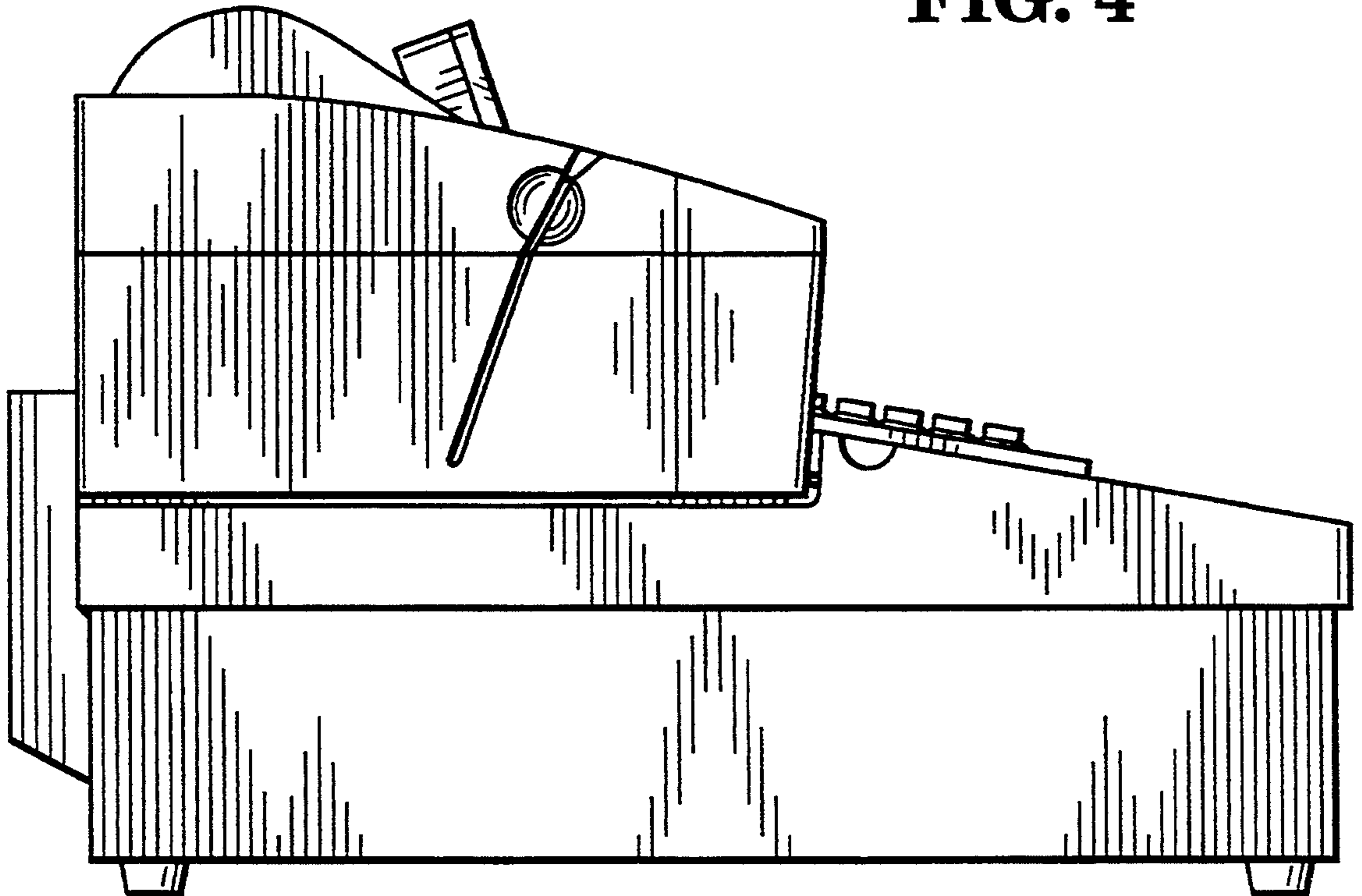


FIG. 5

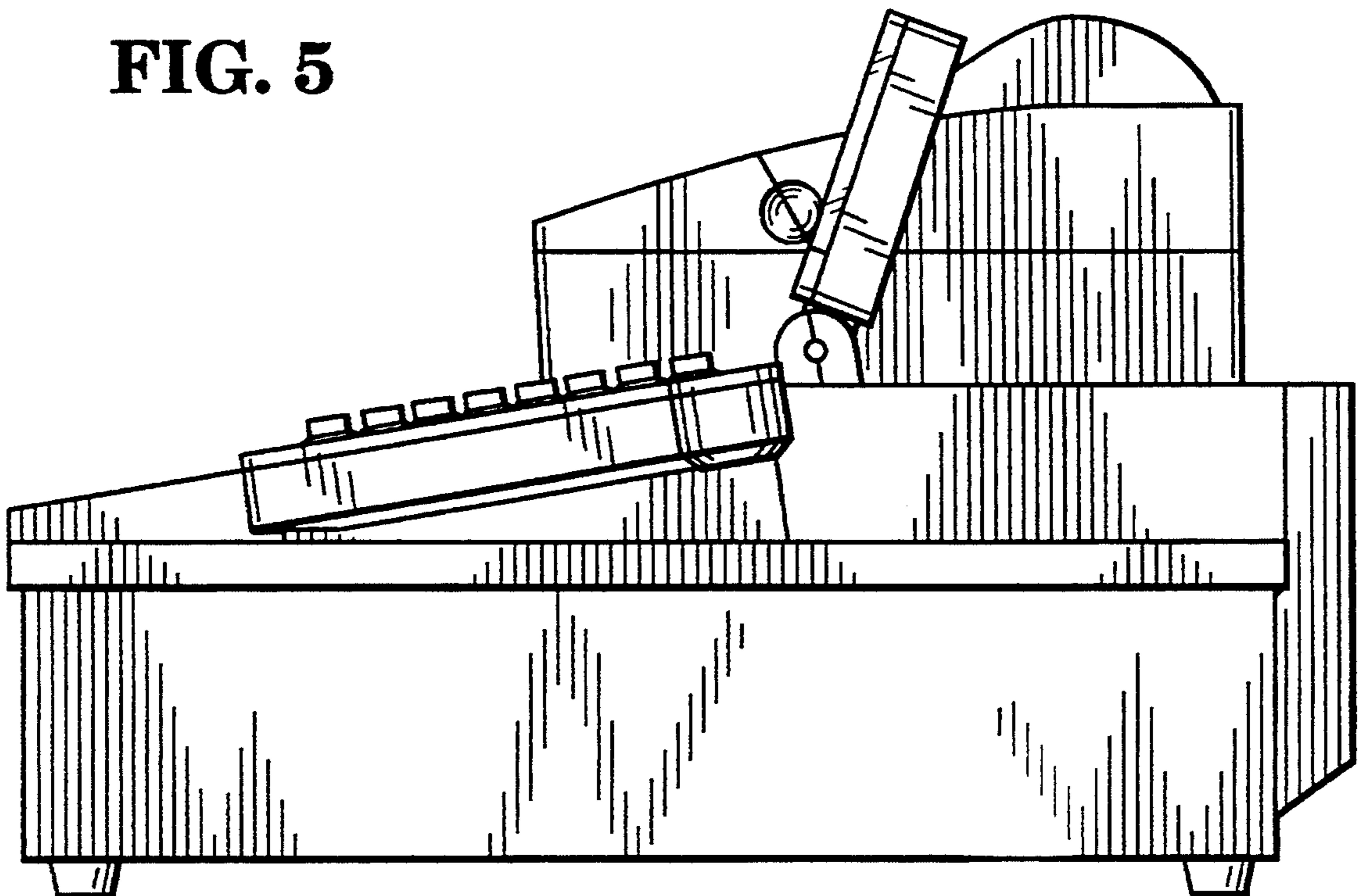
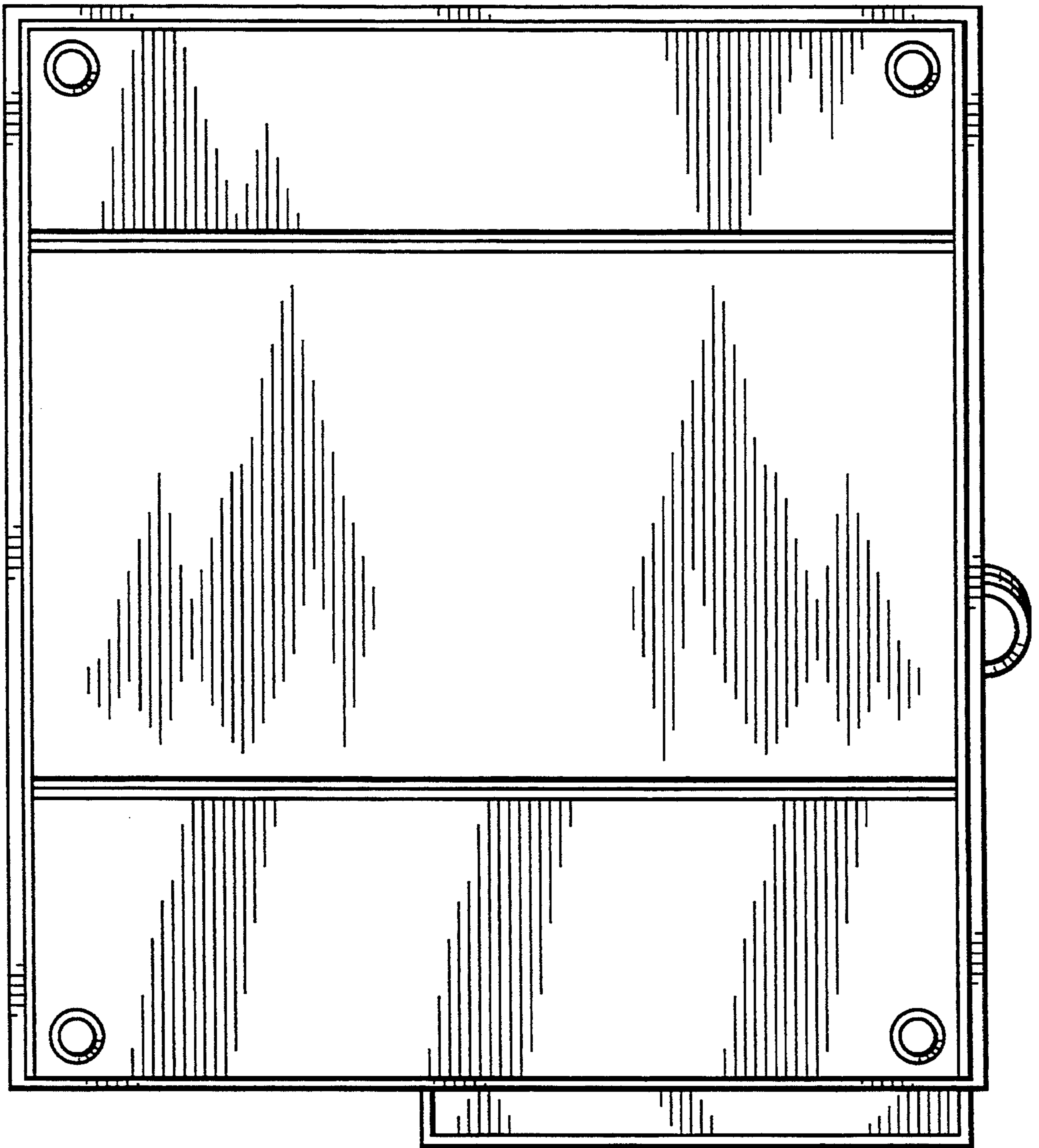


FIG. 6



FIG. 7



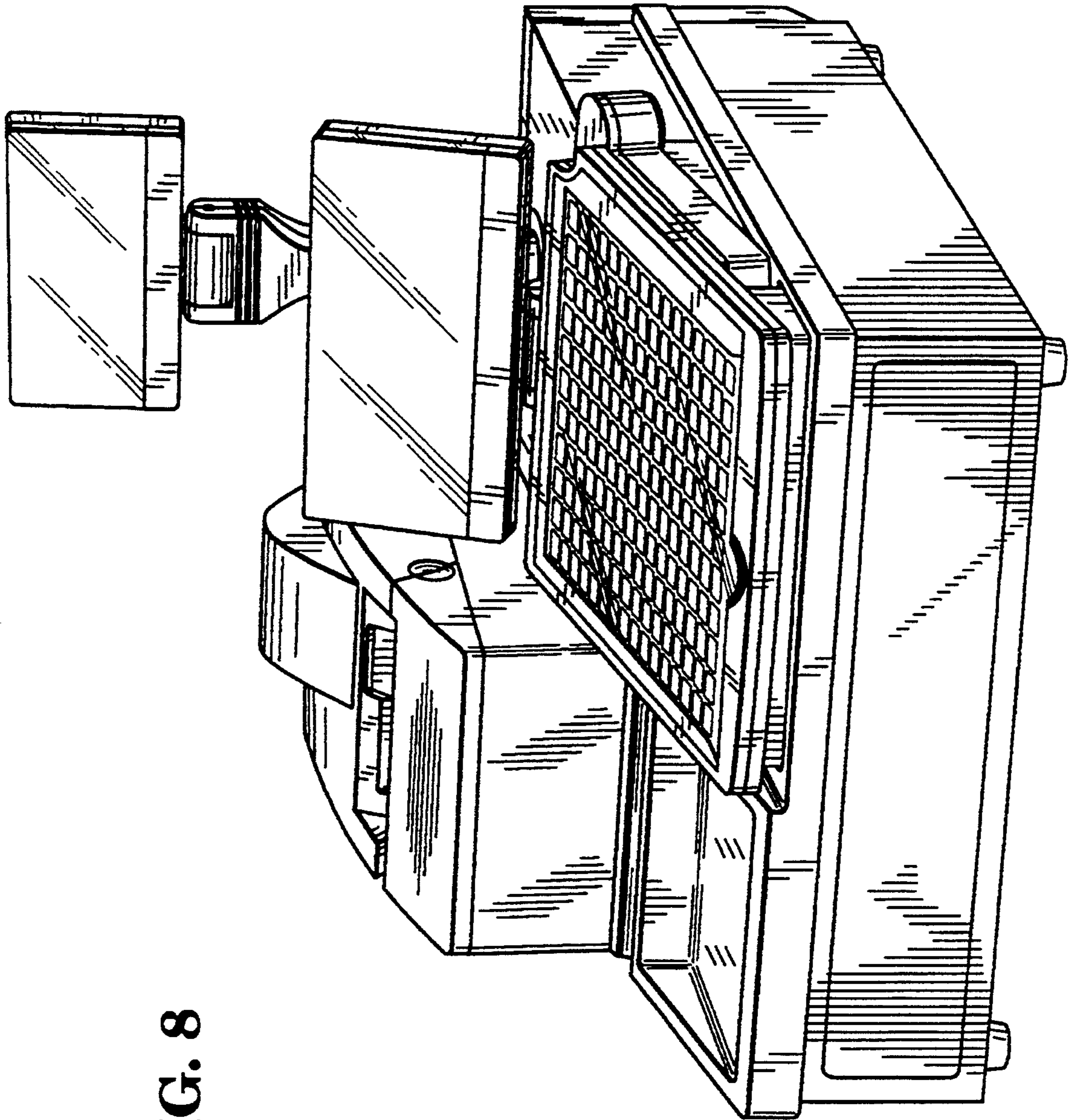


FIG. 8

FIG. 9

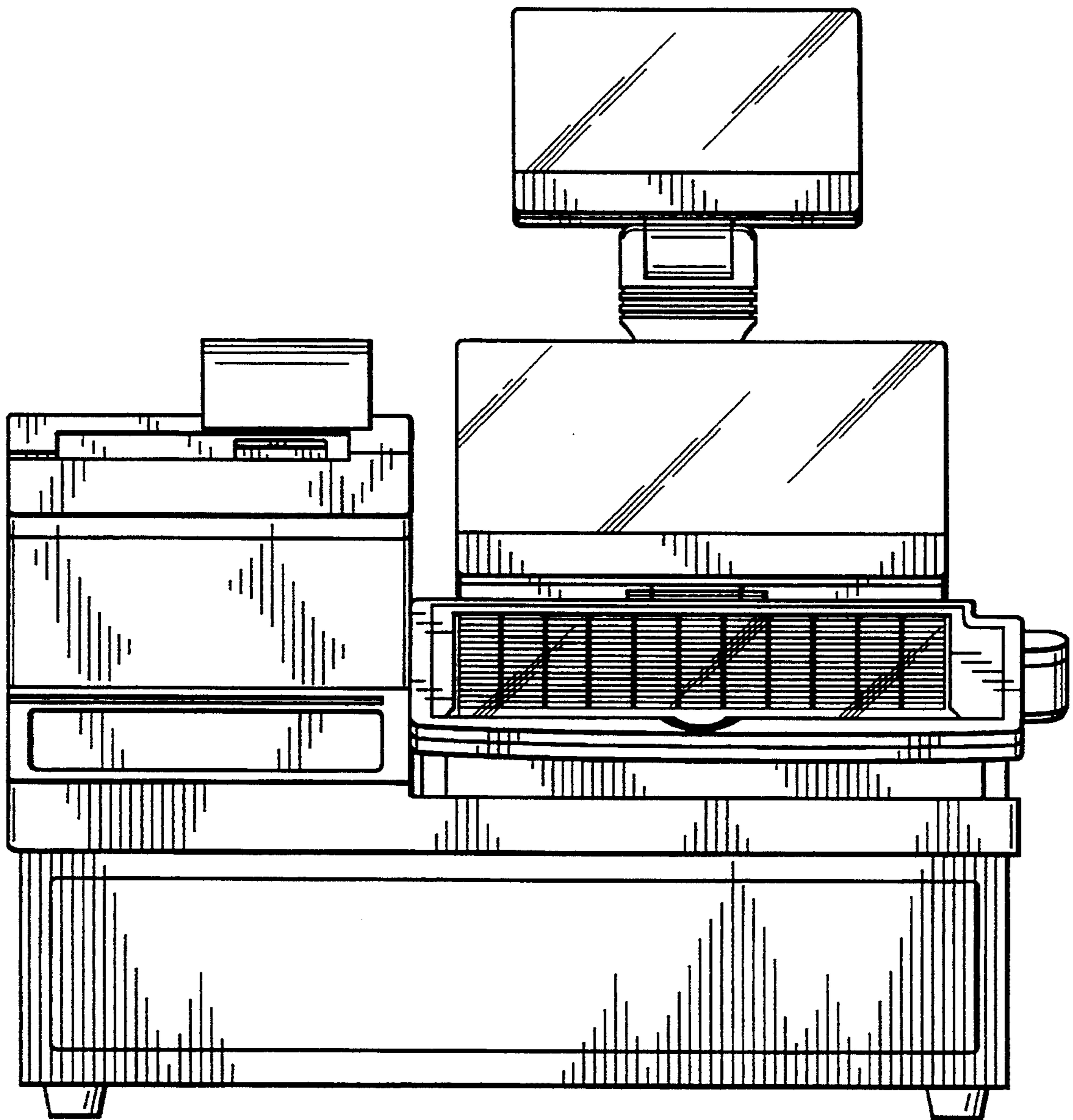


FIG. 10

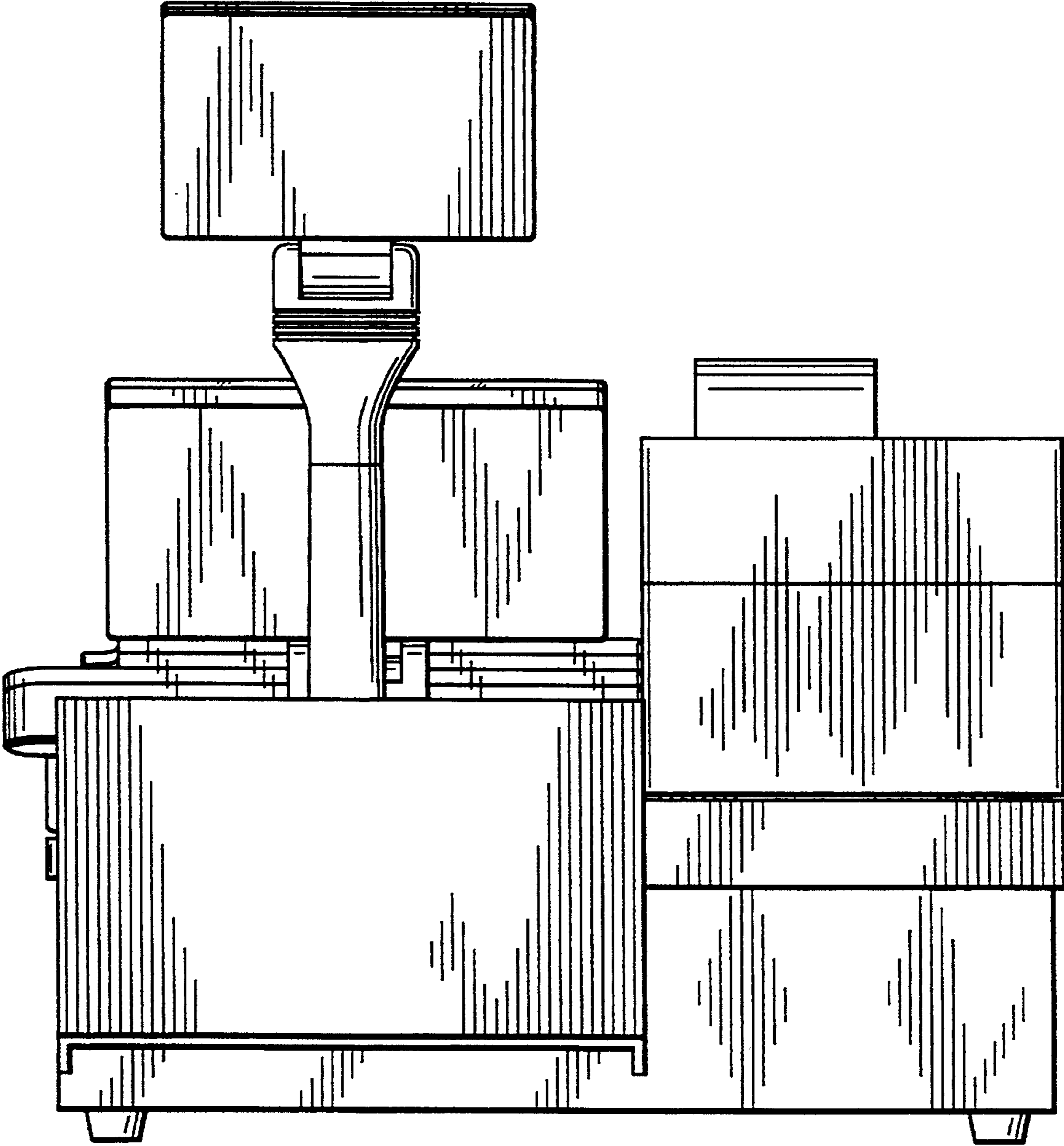


FIG. 11

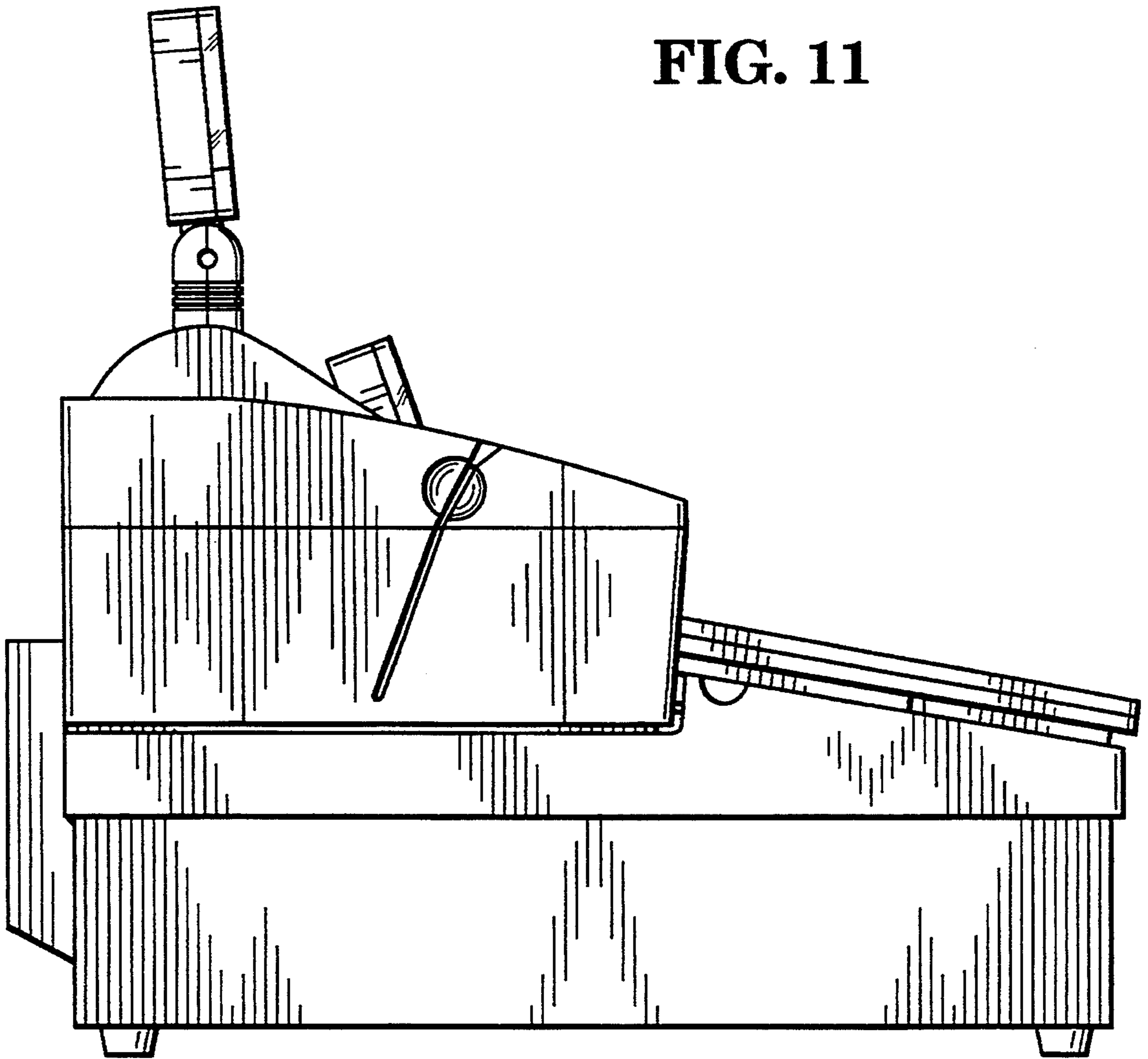


FIG. 12

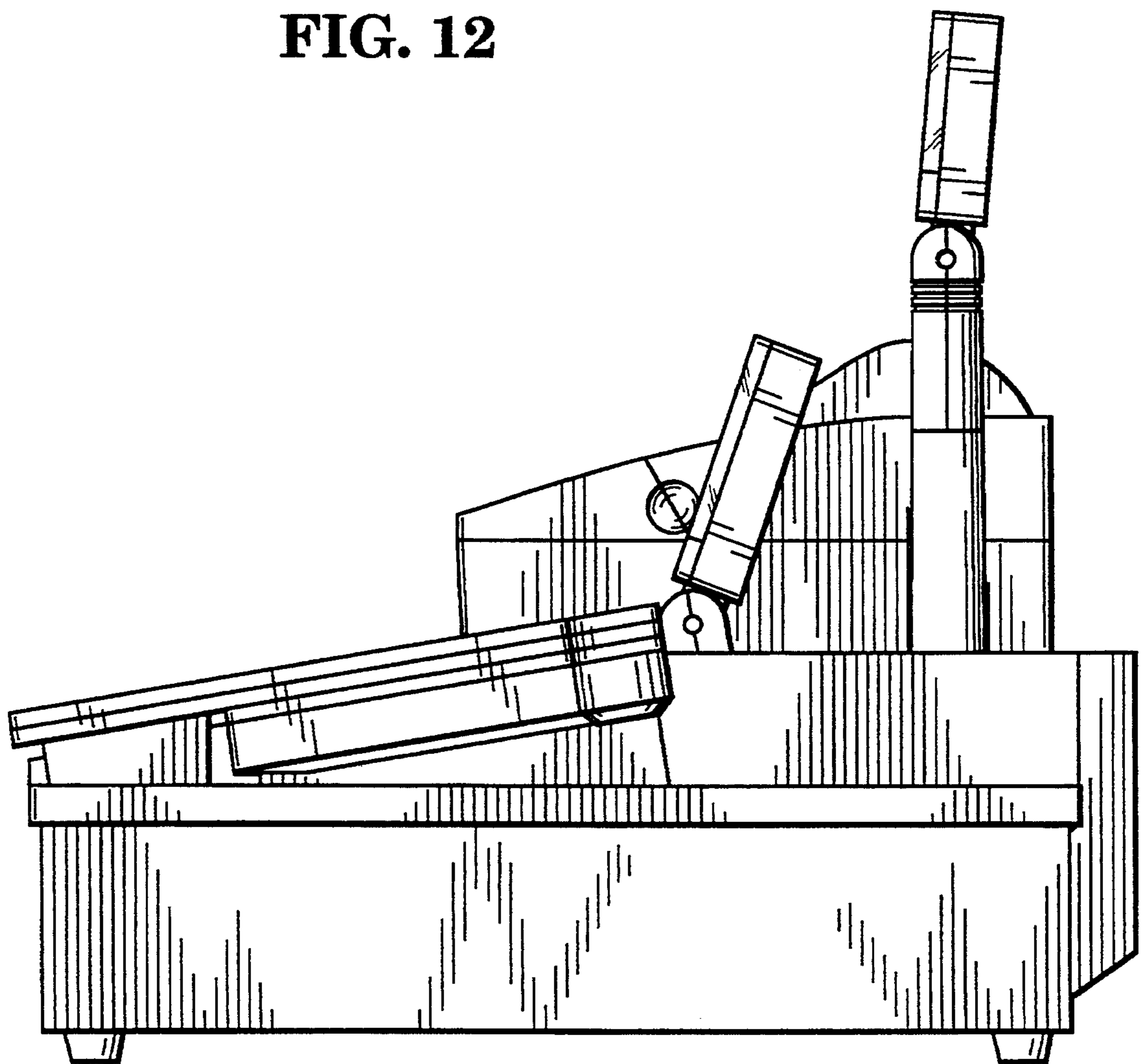


FIG. 13

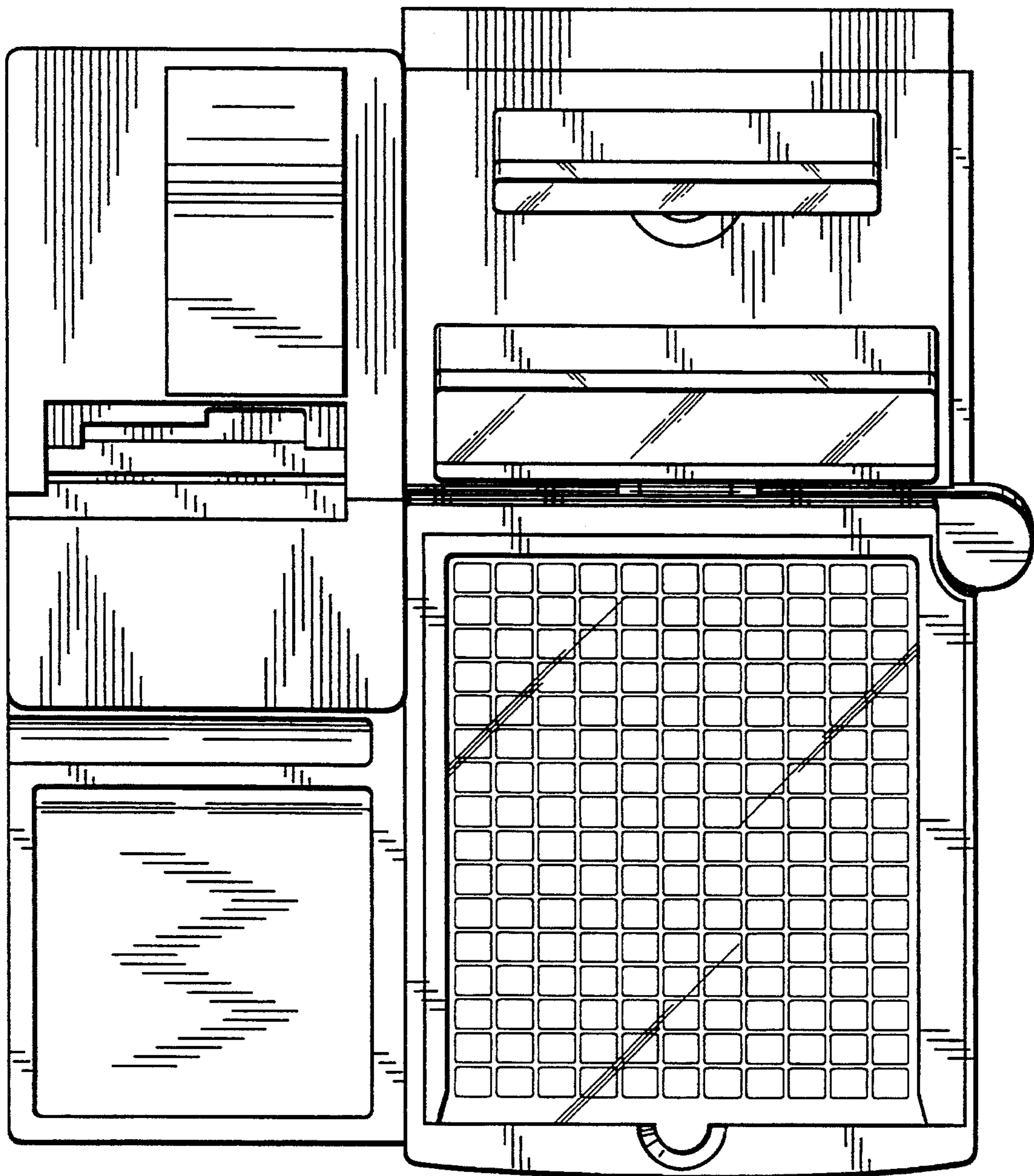
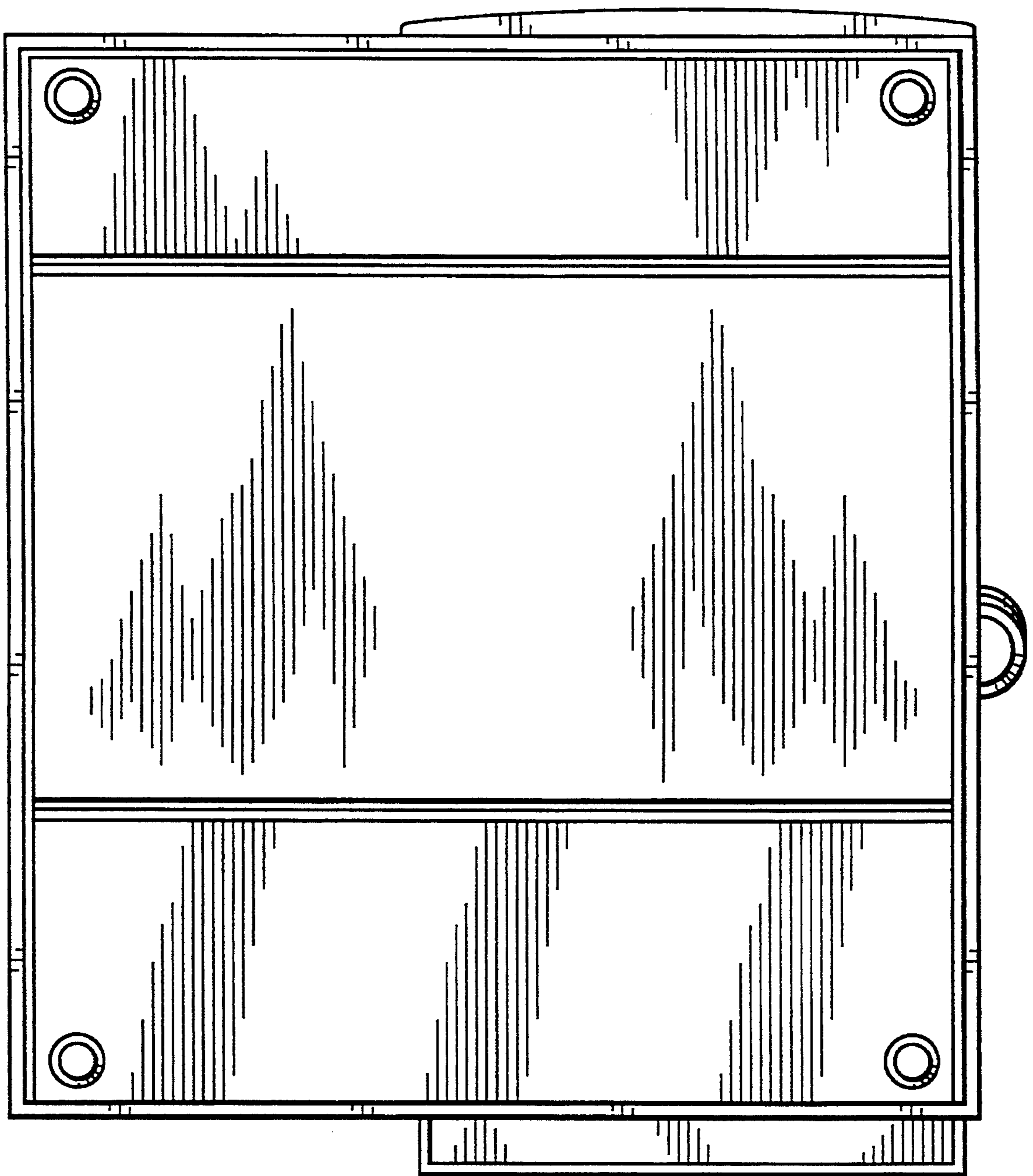


FIG. 14



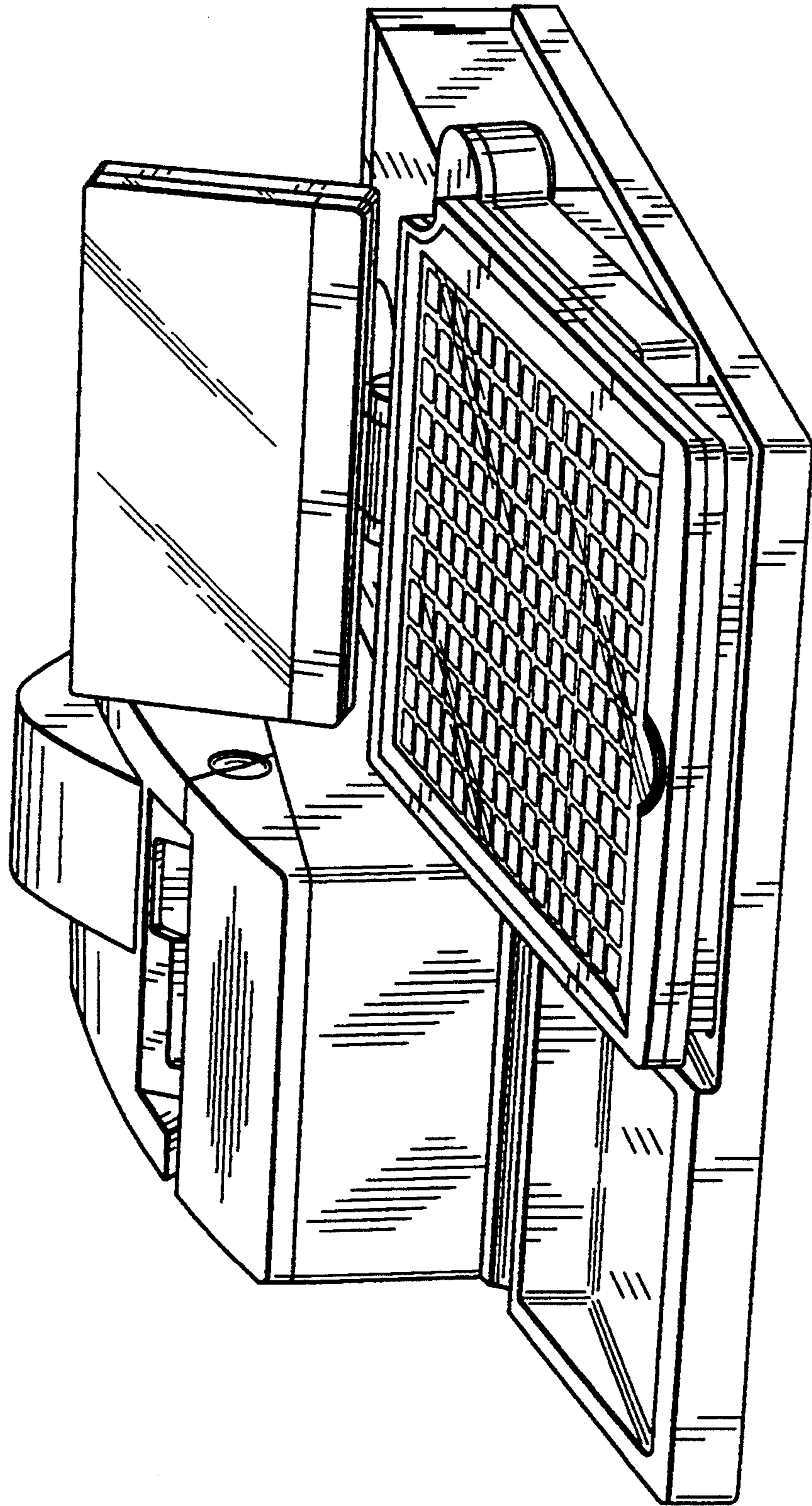


FIG. 15

FIG. 16

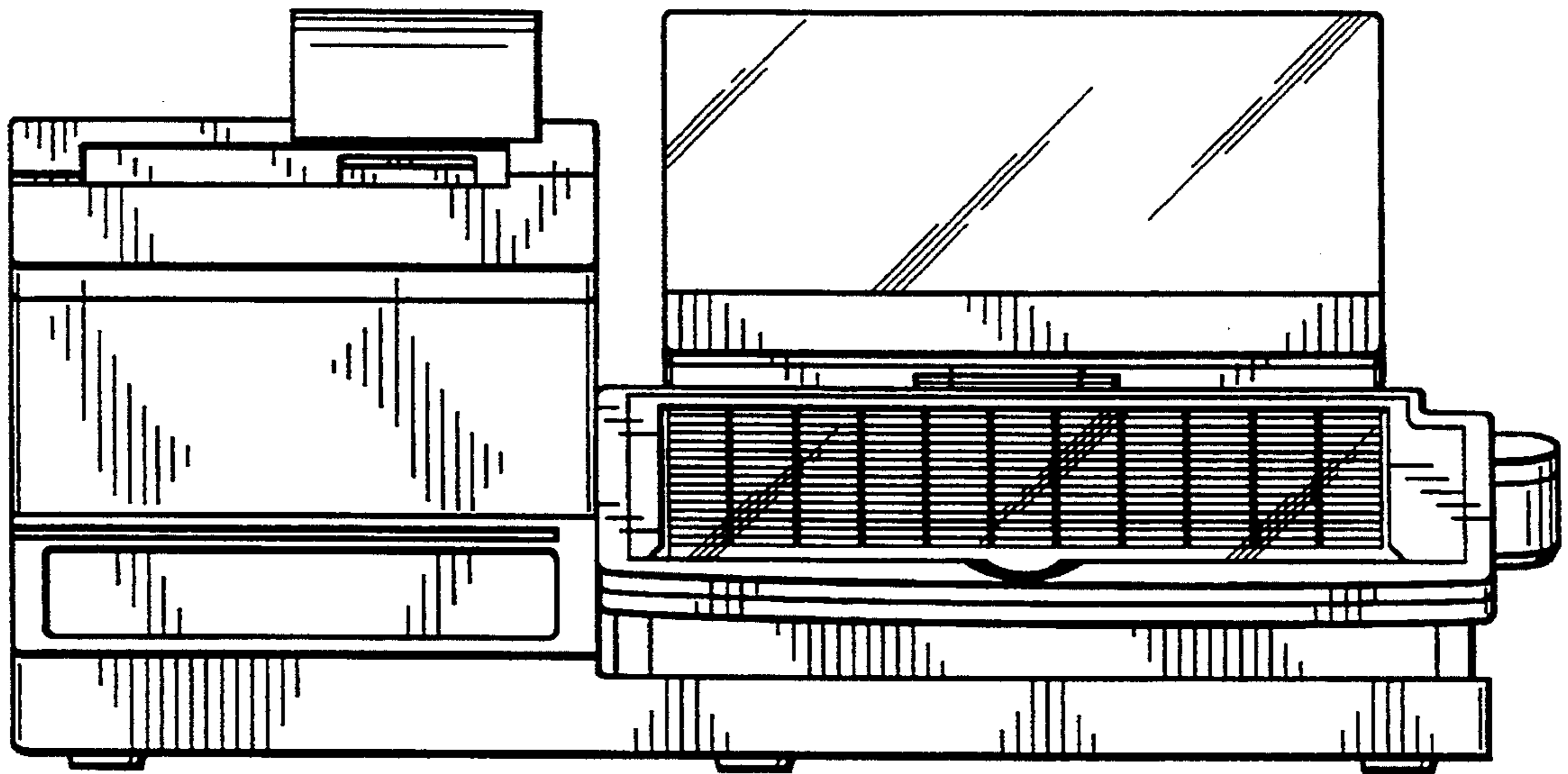


FIG. 17

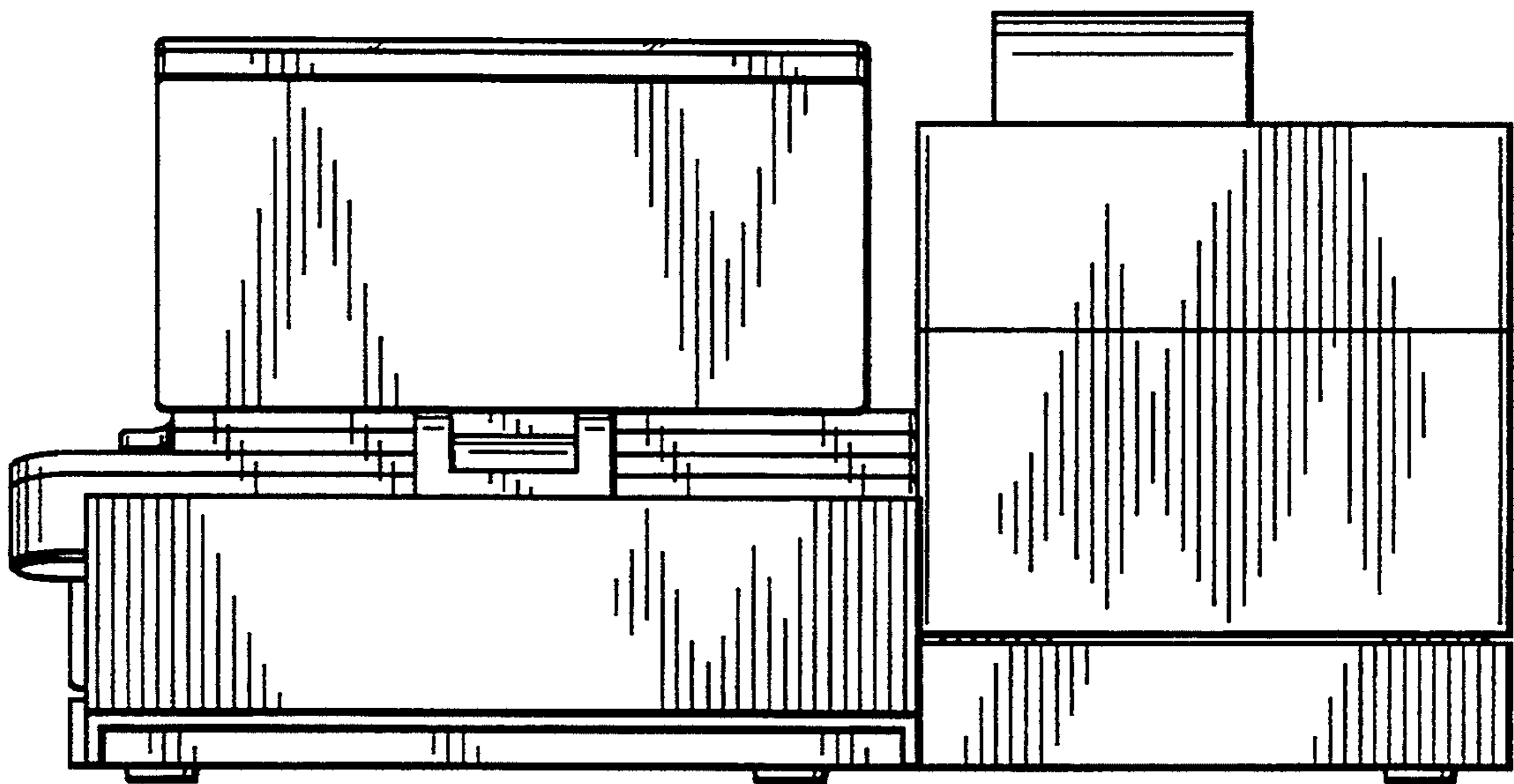


FIG. 18

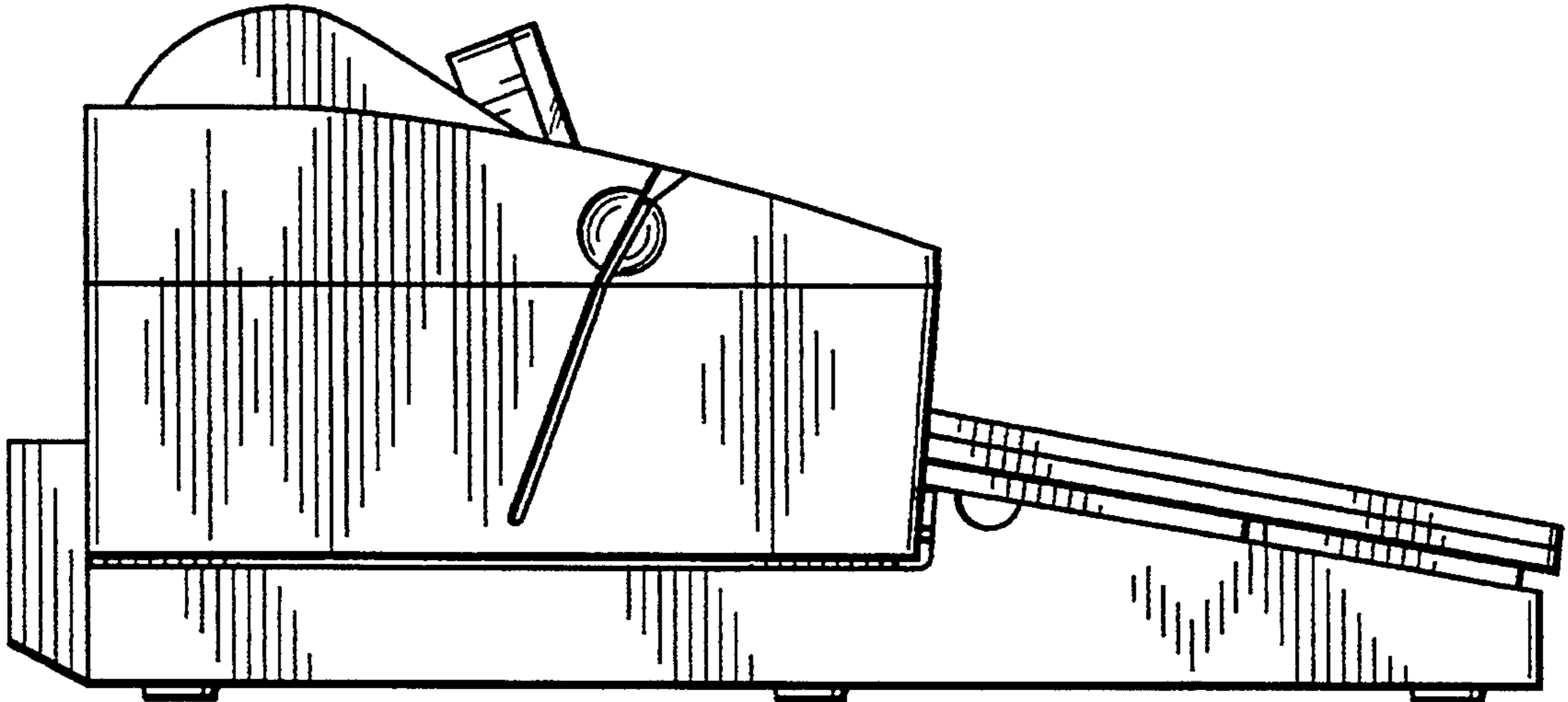


FIG. 19

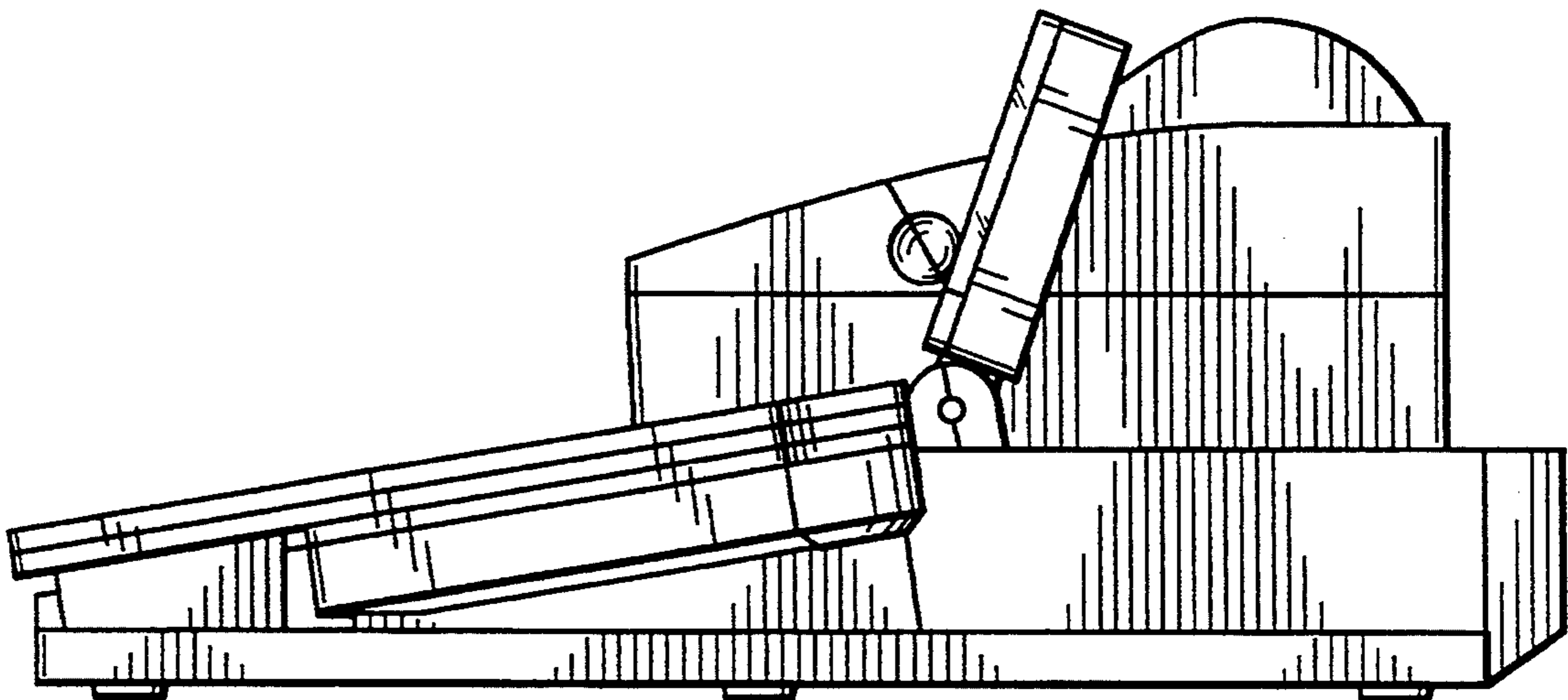


FIG. 20

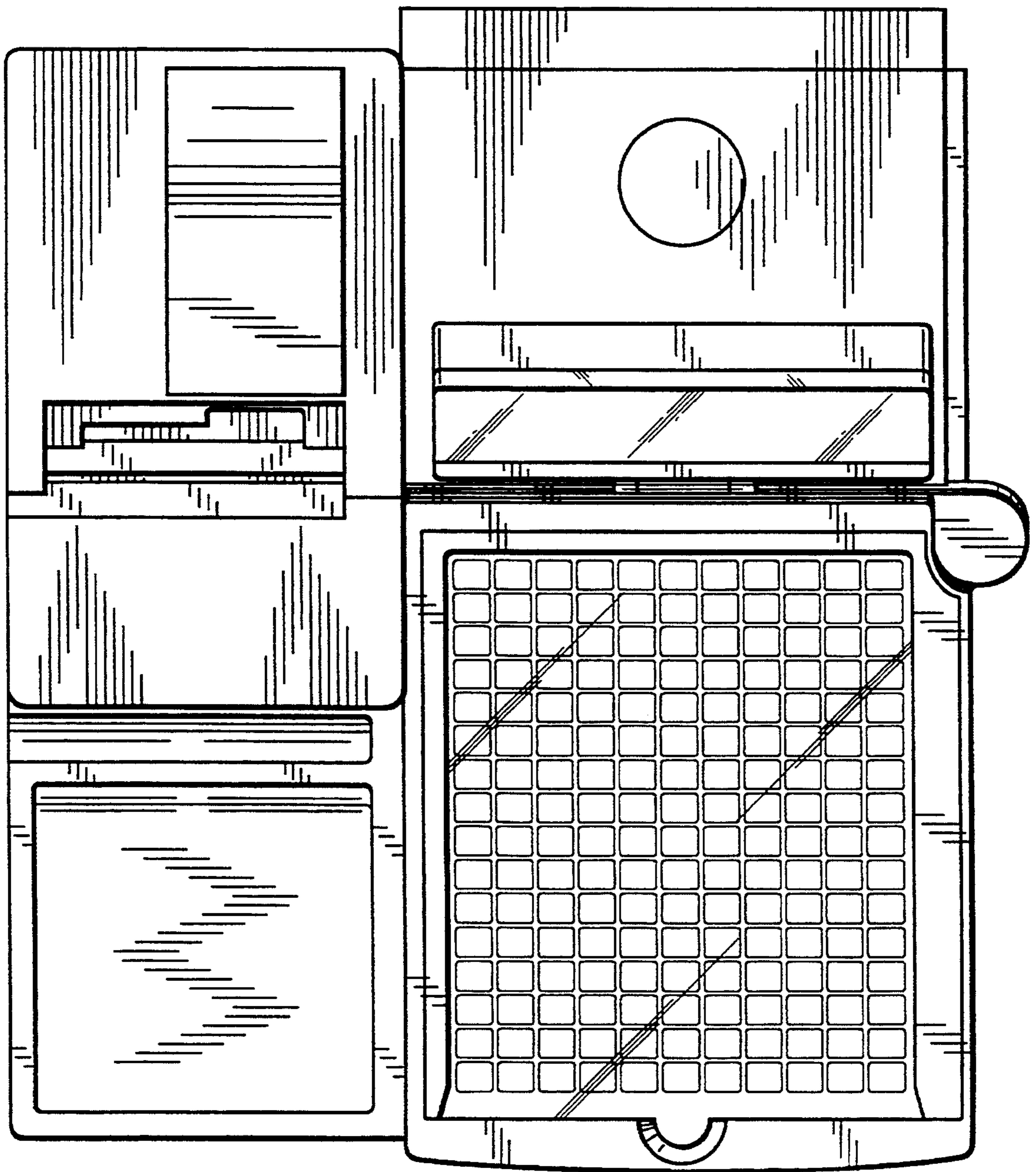


FIG. 21

