



US00D353388S

# United States Patent [19]

[11] Patent Number: Des. 353,388

Matsushita

[45] Date of Patent: \*\* Dec. 13, 1994

[54] BINOCULARS

5,212,591 5/1993 Funathu ..... 359/410 X

[75] Inventor: Takeshi Matsushita, Tokyo, Japan

### OTHER PUBLICATIONS

[73] Assignee: Asahi Kogaku Kogyo Kabushiki Kaisha, Tokyo, Japan

Cabela's 1992 Spring p. 162, Pentax Compact Binocular.

[\*\*] Term: 14 Years

Primary Examiner—A. Hugo Word  
Assistant Examiner—Doris V. Coles  
Attorney, Agent, or Firm—Sughrue, Mion, Zinn, Macpeak & Seas

[21] Appl. No.: 9,540

[22] Filed: Jun. 17, 1993

### [57] CLAIM

### [30] Foreign Application Priority Data

The ornamental design for binoculars, as shown and described.

Dec. 18, 1992 [JP] Japan ..... 4-37383

[52] U.S. Cl. .... D16/133

[58] Field of Search ..... 359/416, 415, 407, 410, 359/411, 412, 413, 414, 417-419; D16/133

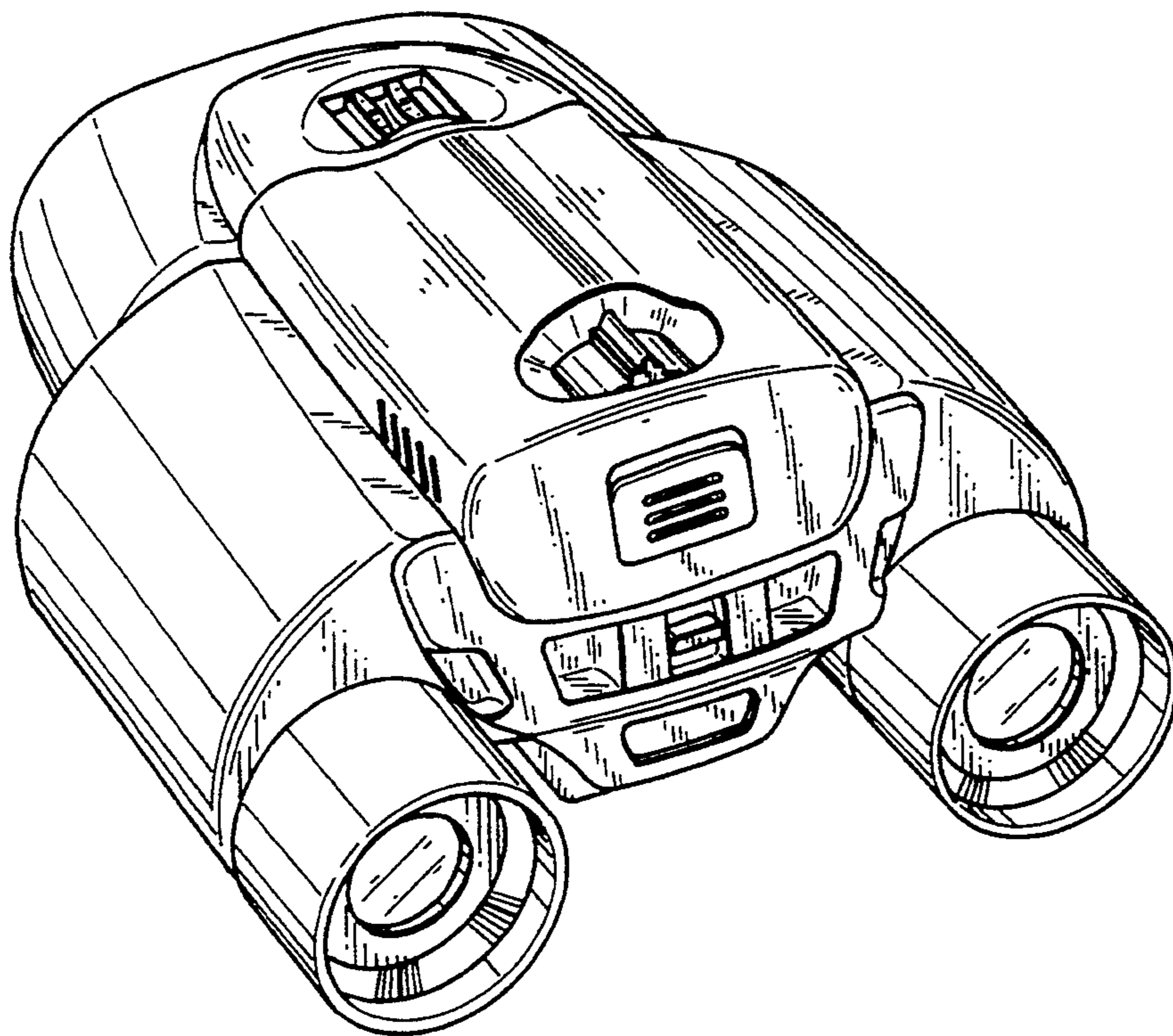
### DESCRIPTION

### [56] References Cited

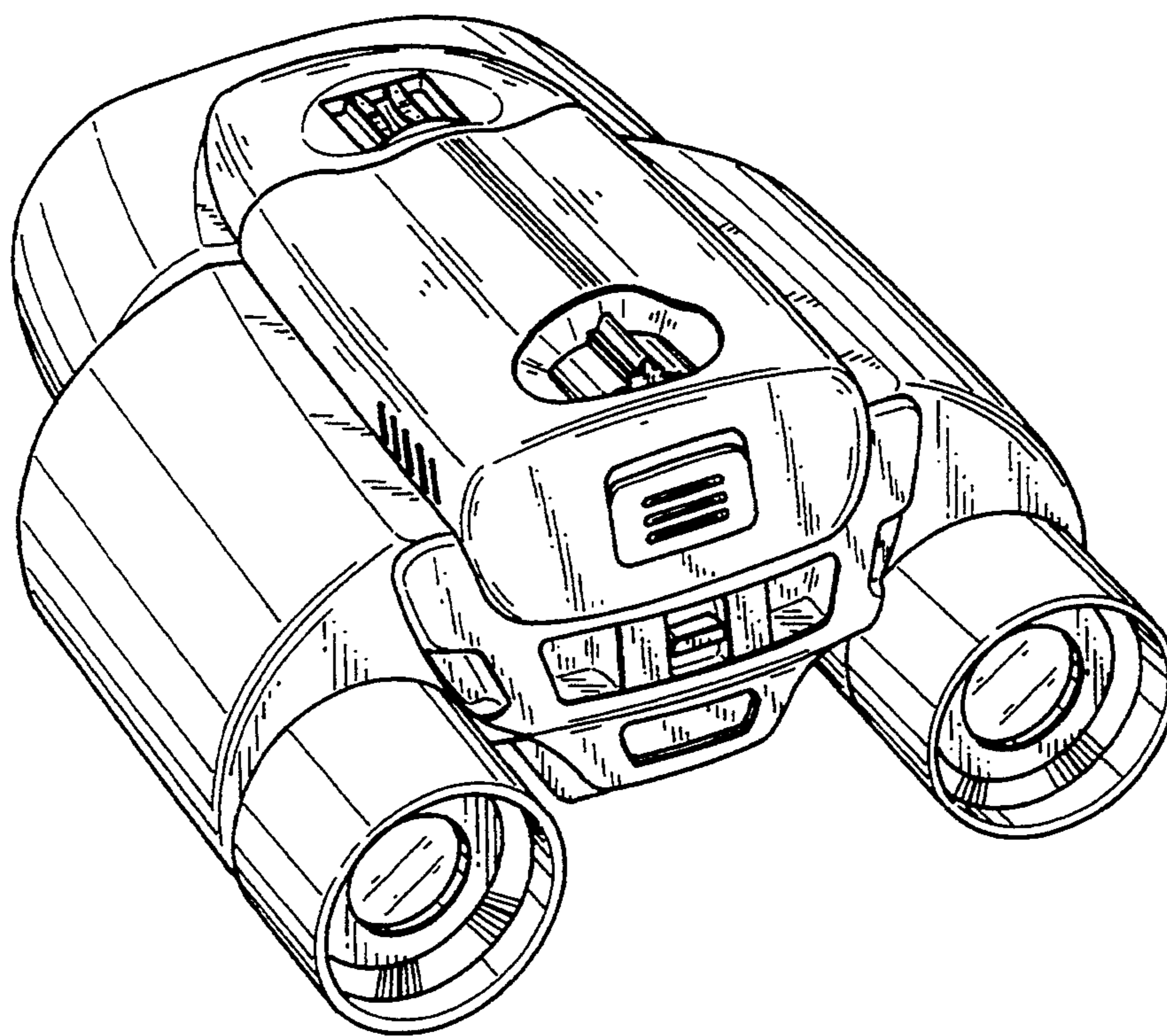
#### U.S. PATENT DOCUMENTS

- D. 306,606 3/1990 Yamanaka et al. .... D16/133
- D. 338,027 8/1993 Ushiyama ..... D16/133
- 5,071,242 12/1991 Yanagisawa ..... 359/415 X

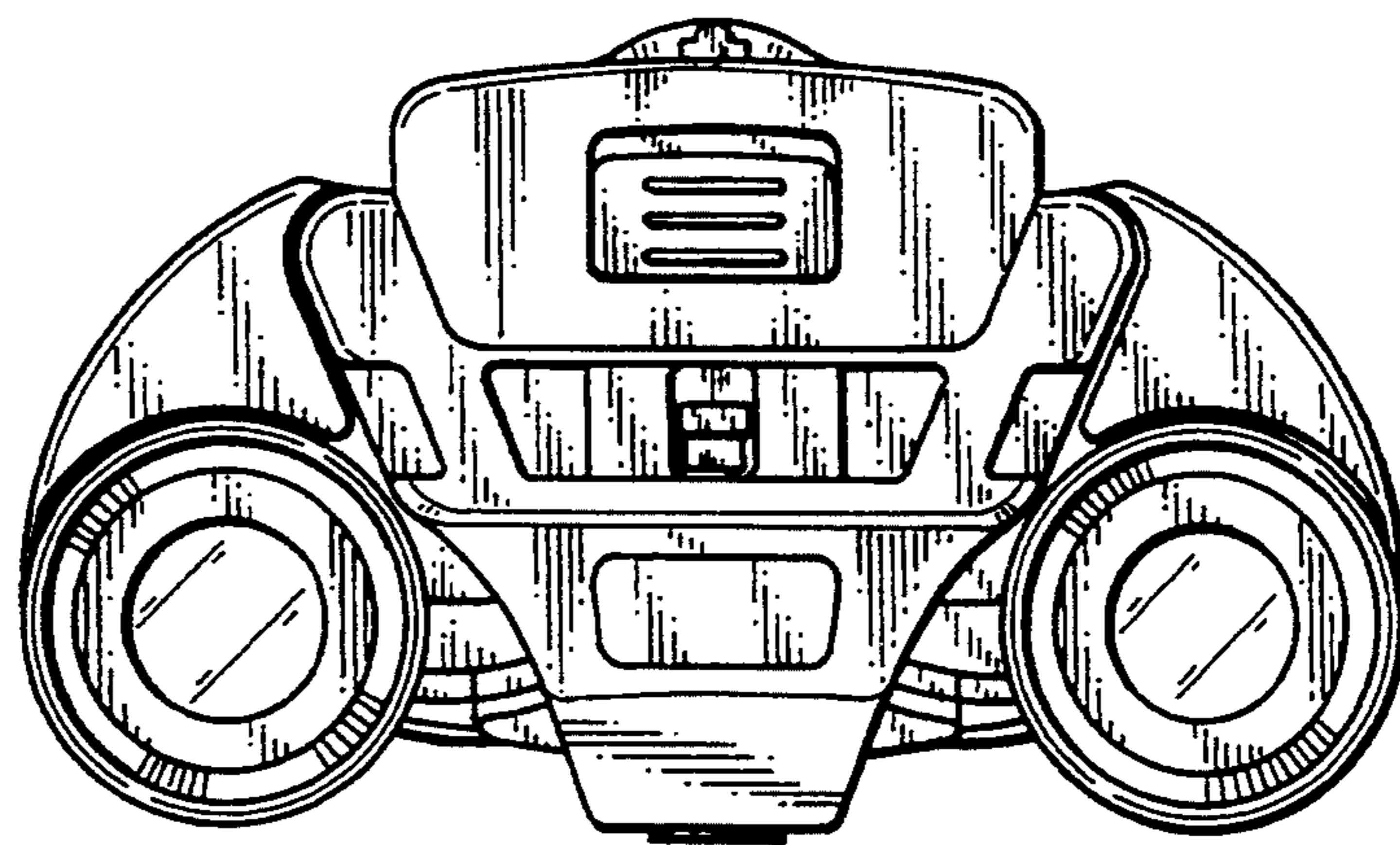
FIG. 1 is a rear, top and left side perspective view of binoculars showing my new design;  
 FIG. 2 is a rear elevational view thereof;  
 FIG. 3 is a front elevational view thereof;  
 FIG. 4 is a top plan view thereof;  
 FIG. 5 is a bottom plan view thereof;  
 FIG. 6 is a left side elevational view thereof; and,  
 FIG. 7 is a right side elevational view thereof.



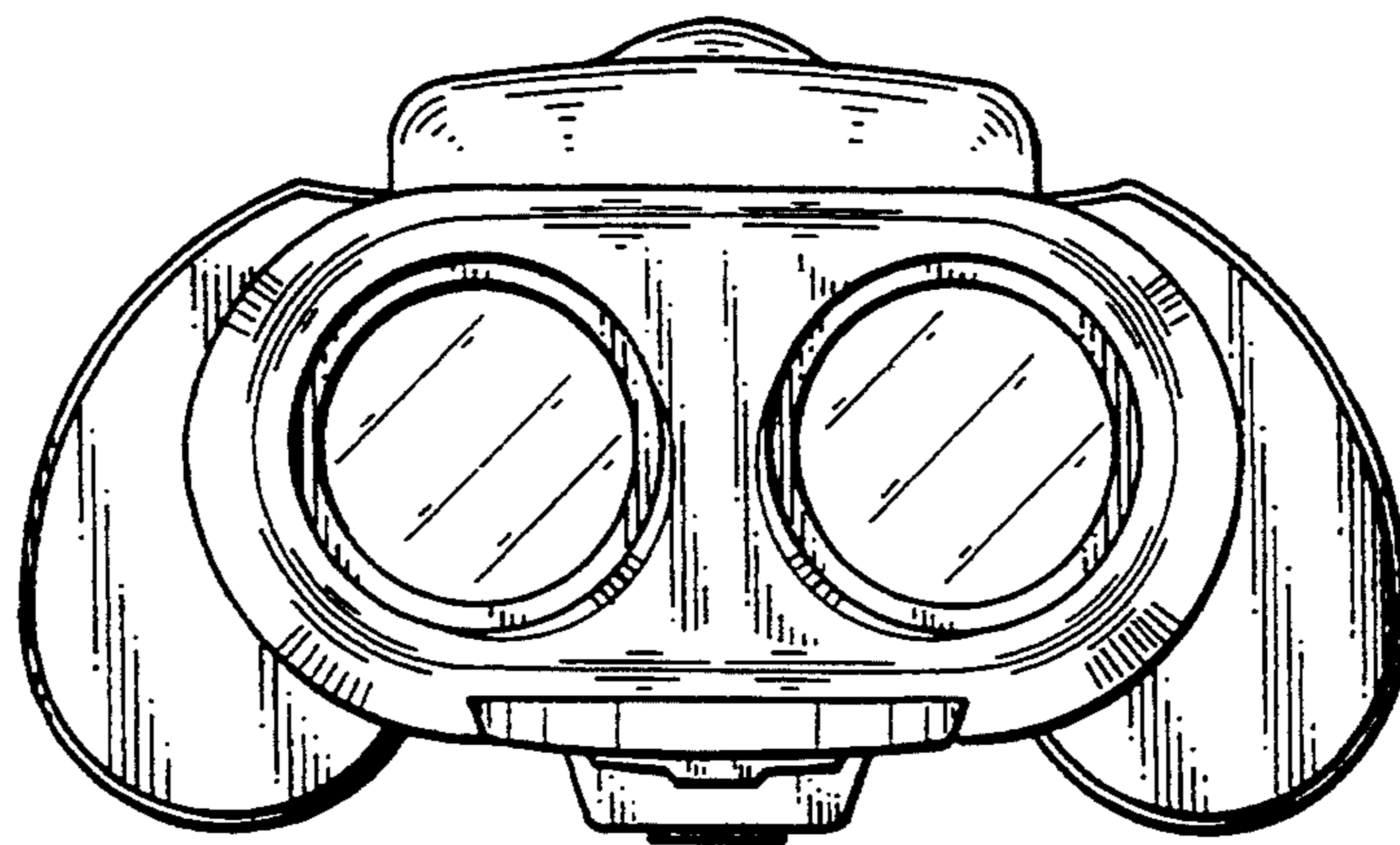
*Fig. 1*



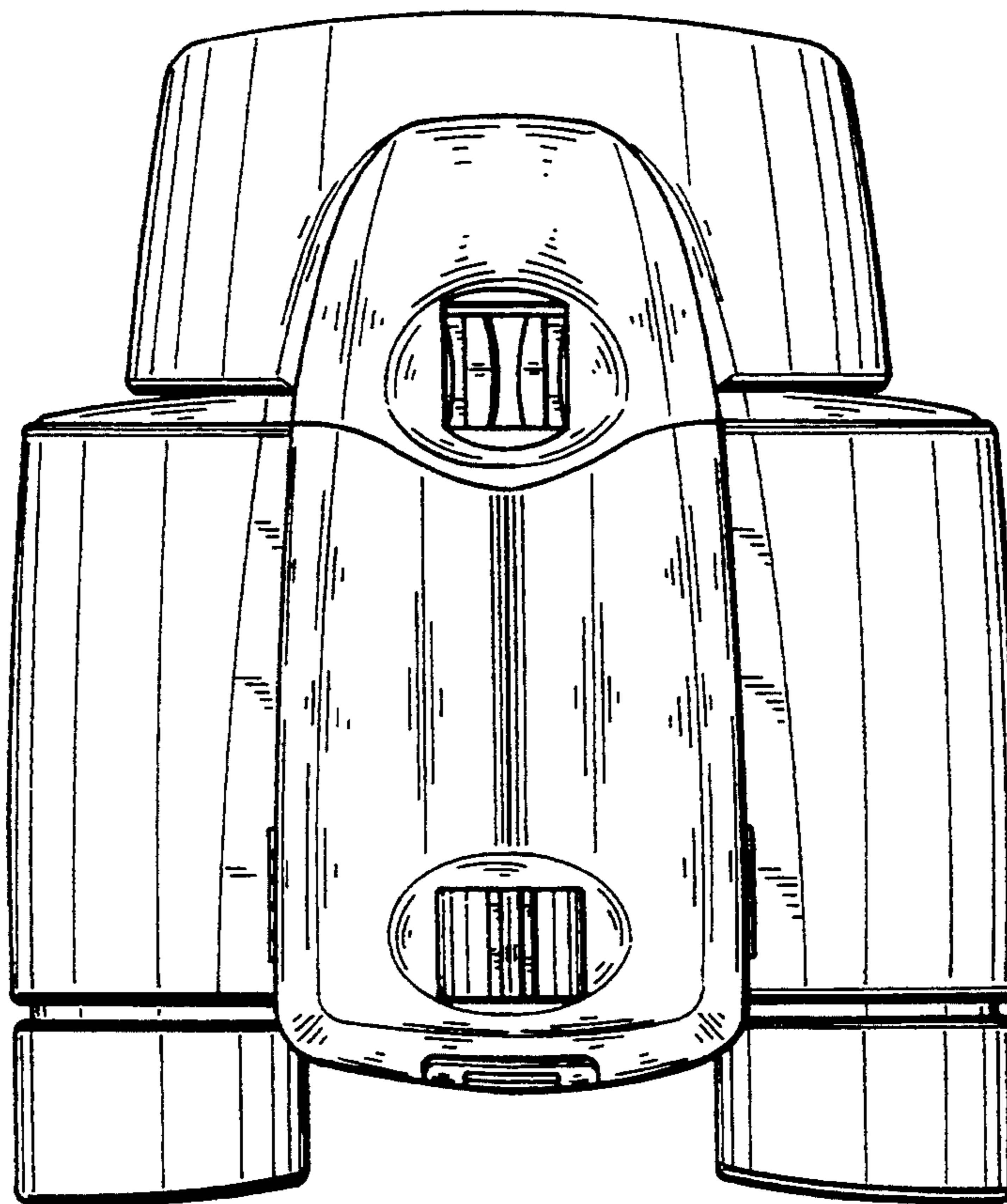
*Fig. 2*



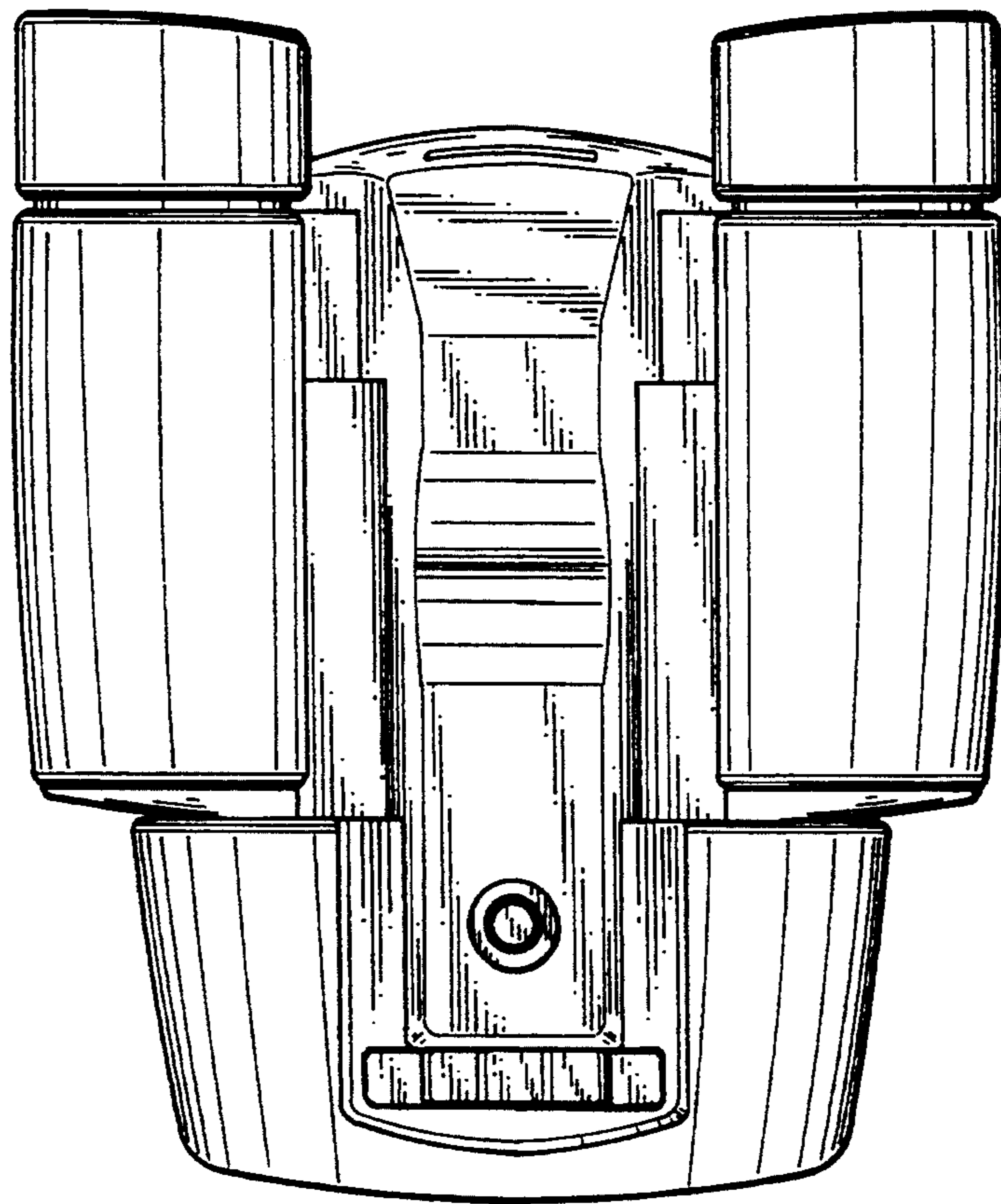
*Fig. 3*



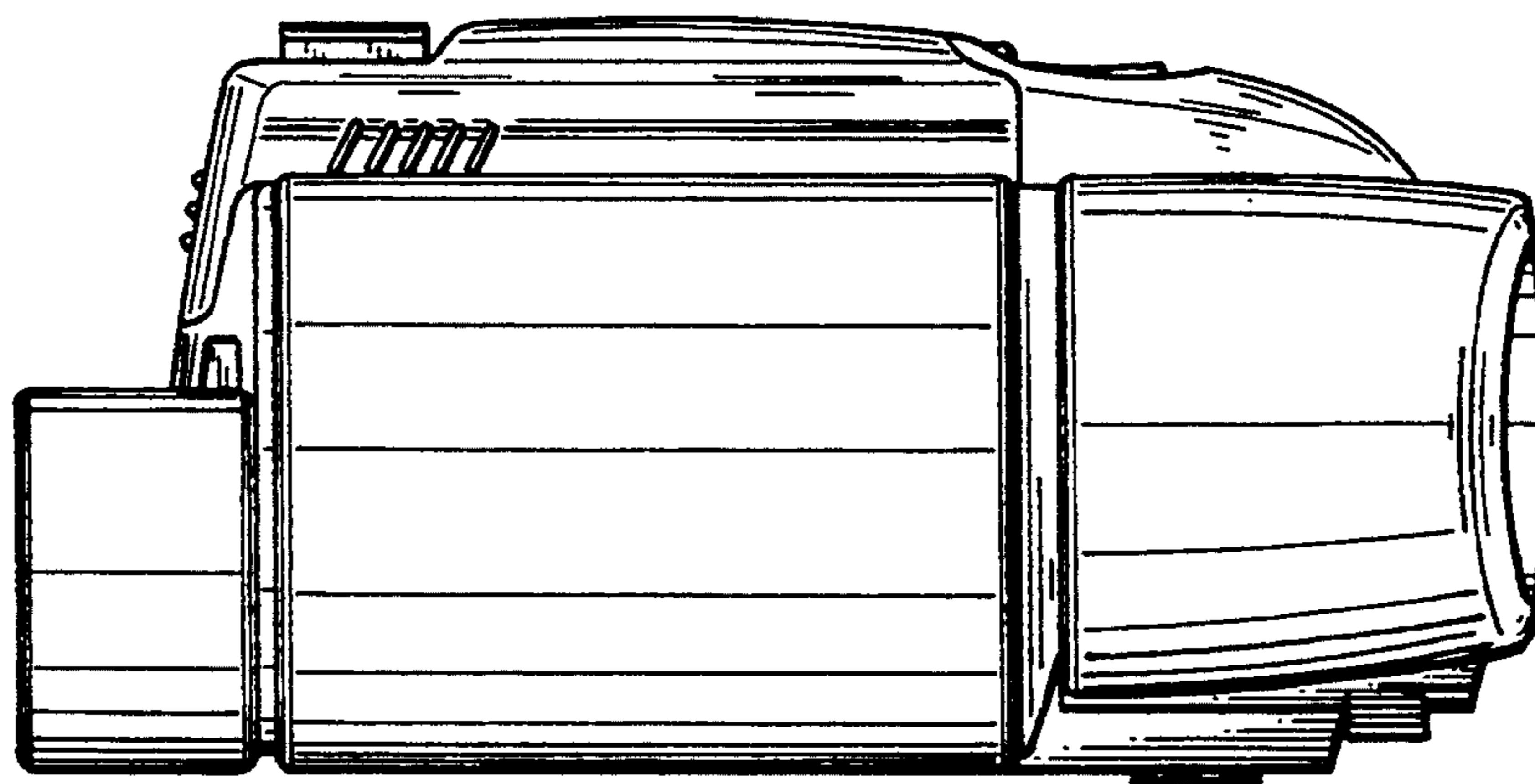
*Fig. 4*



*Fig. 5*



*Fig. 6*



*Fig. 7*

