



US00D353385S

United States Patent [19]

[11] Patent Number: **Des. 353,385**

Westendorf

[45] Date of Patent: **** Dec. 13, 1994**

[54] COMBINED REFRIGERATOR AND COVER

[57] CLAIM

[76] Inventor: **Neal Westendorf**, 1410 Maple Dr., Onawa, Iowa 51040

The ornamental design for a combined refrigerator and cover, as shown and described.

[**] Term: **14 Years**

DESCRIPTION

[21] Appl. No.: **867,395**

FIG. 1 is a perspective view of a combined refrigerator and cover showing my new design;

[22] Filed: **Apr. 13, 1992**

FIG. 2 is a top plan view thereof;

[52] U.S. Cl. **D15/81**

FIG. 3 is a left side elevational view thereof;

[58] Field of Search 312/139.2, 236; 428/35.7; 62/444, 445, 457.9; D15/79-89

FIG. 4 is a front elevational view thereof;

FIG. 5 is a right side elevational view thereof;

FIG. 6 is a rear elevational view thereof;

FIG. 7 is a bottom view thereof;

[56] References Cited

FIG. 8 is a perspective view of a second embodiment of the combined refrigerator and cover showing my new design;

U.S. PATENT DOCUMENTS

- D. 215,677 10/1969 Barroero D15/91
- D. 290,012 5/1987 Owen D15/81
- D. 313,026 12/1990 Evans D15/81
- 4,679,407 7/1987 Kim et al. 62/457.9

FIG. 9 is a top plan view of the embodiment of FIG. 8;

FIG. 10 is a left side elevational view of the embodiment of FIG. 8;

FIG. 11 is a front elevational view of the embodiment of FIG. 8;

FIG. 12 is a right side elevational view of the embodiment of FIG. 8;

FIG. 13 is a rear elevational view of the embodiment of FIG. 8; and,

FIG. 14 is a bottom view of the embodiment of FIG. 8.

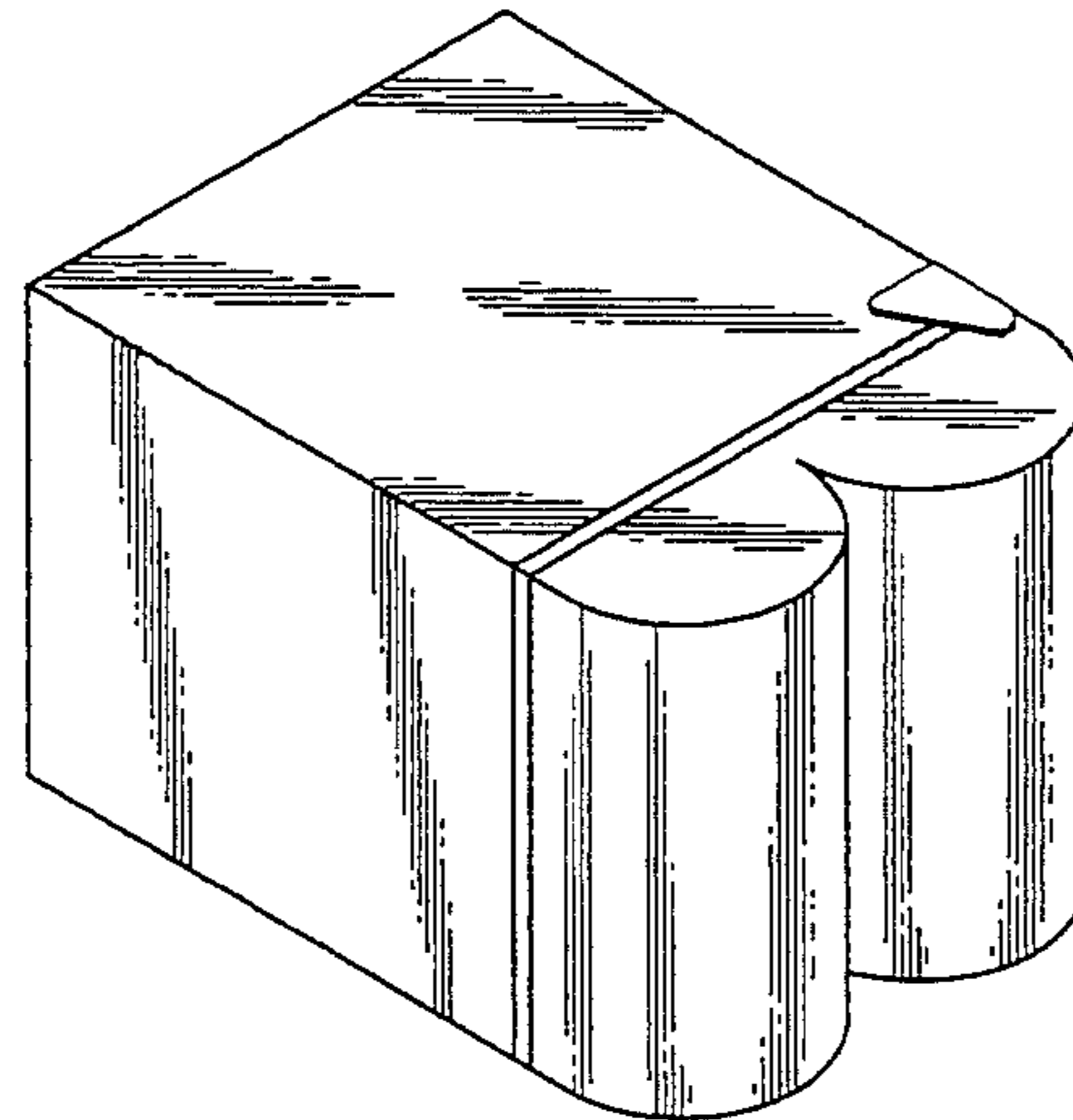
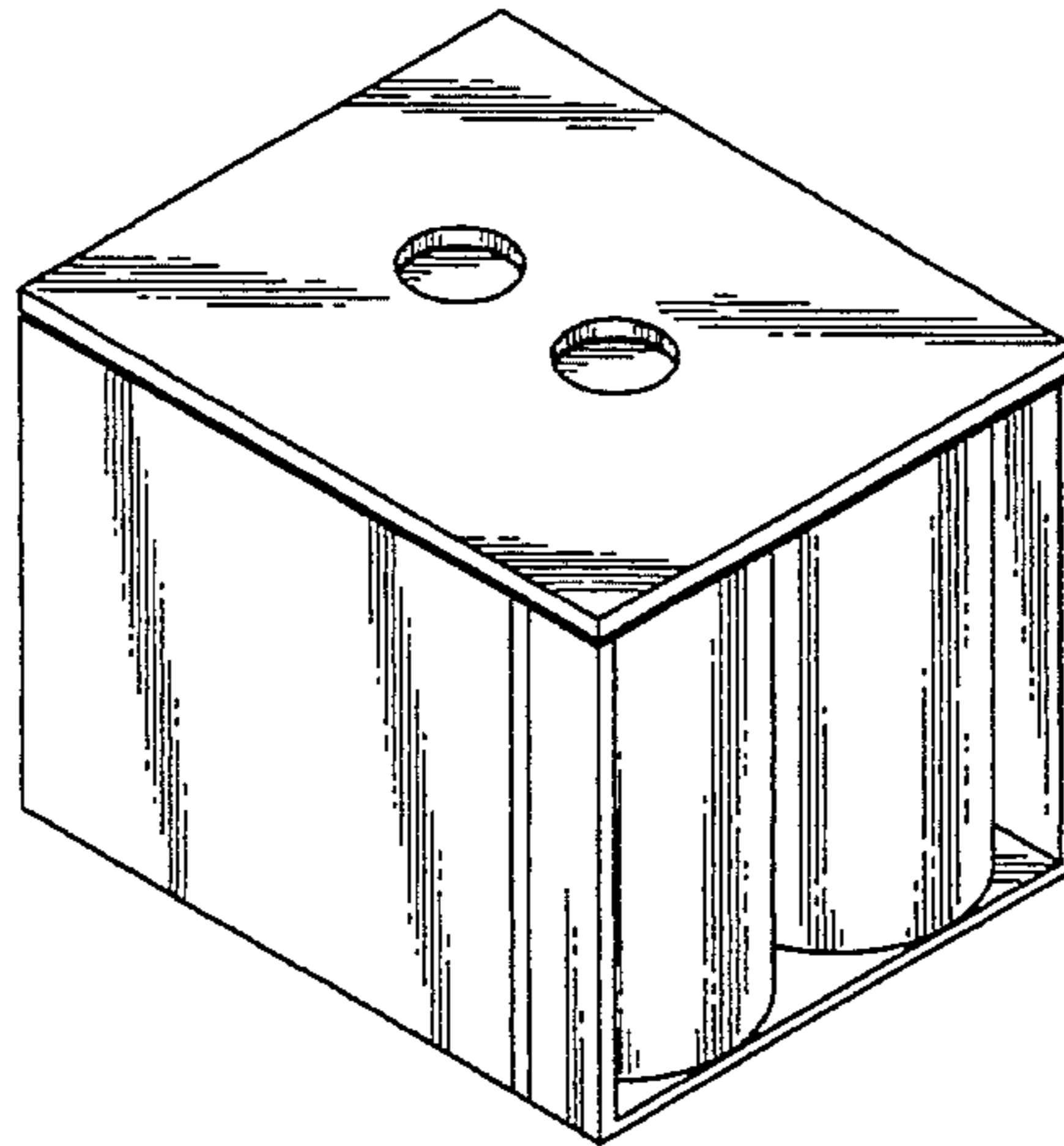
OTHER PUBLICATIONS

Evans 1988-1989 Catalog, p. 183y-GE 1.7 cu. ft. compact refrigerator.

Primary Examiner—Melvin B. Feifer

Assistant Examiner—Sandra Morris

Attorney, Agent, or Firm—John A. Beehner



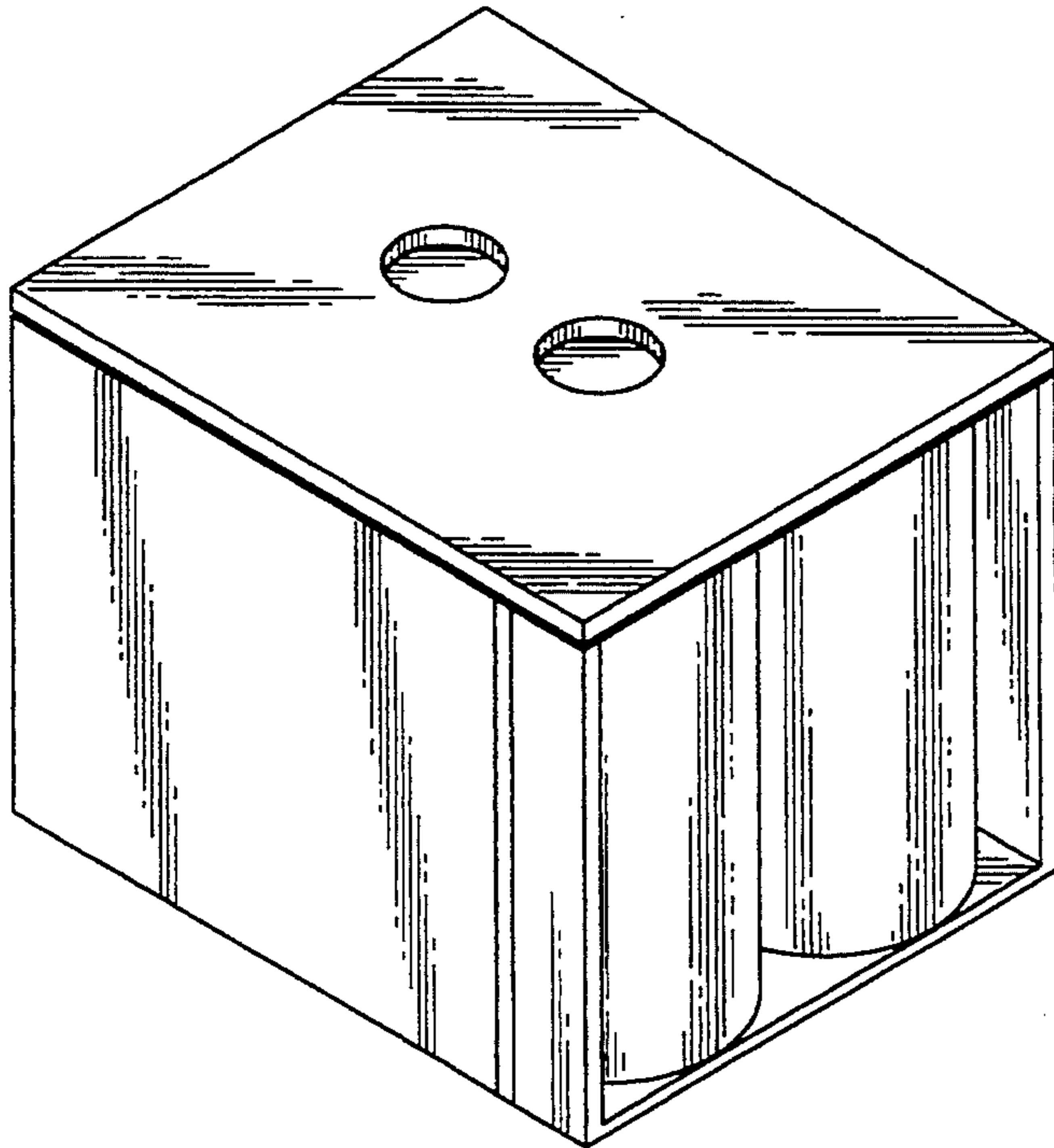


FIG. 1

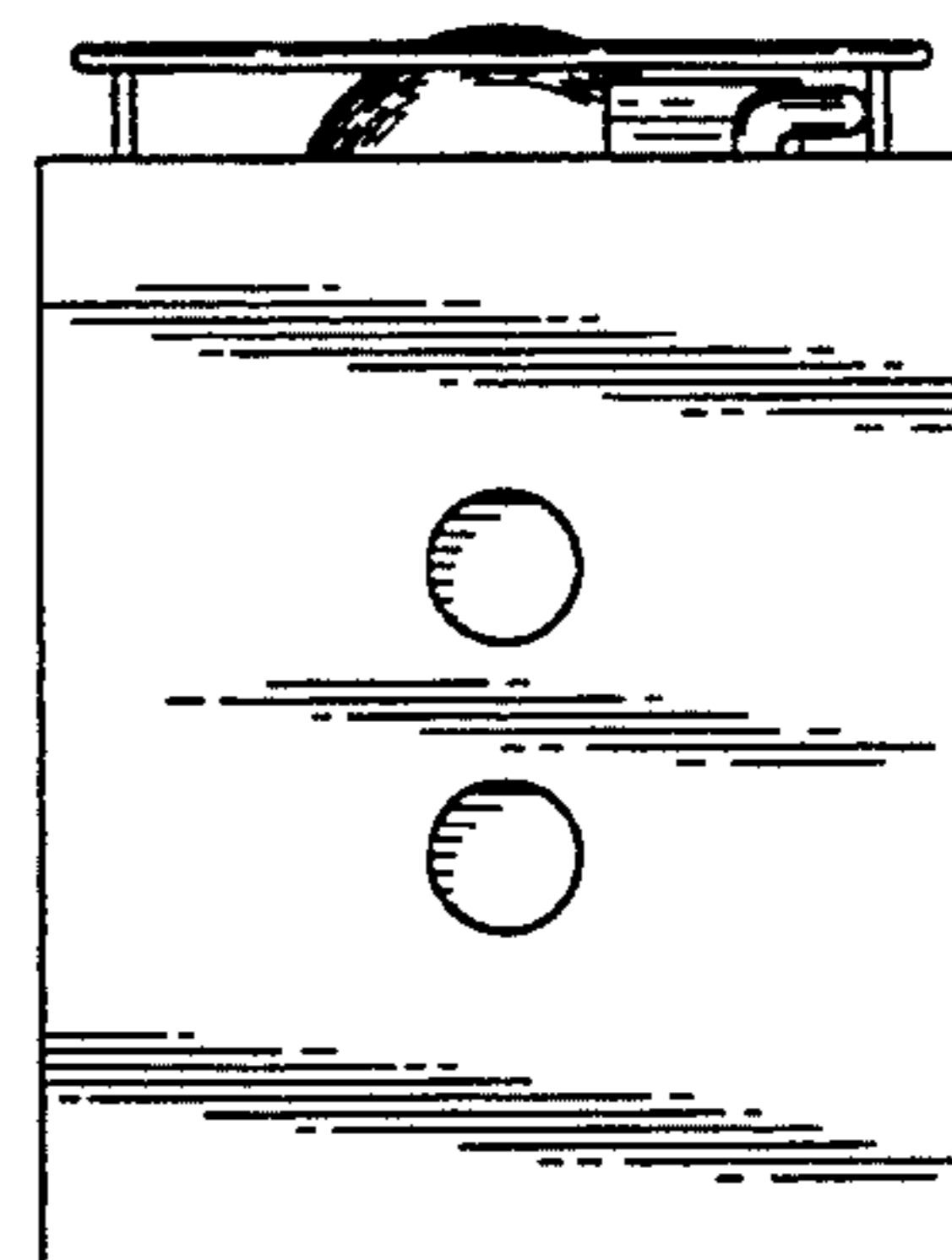


FIG. 2

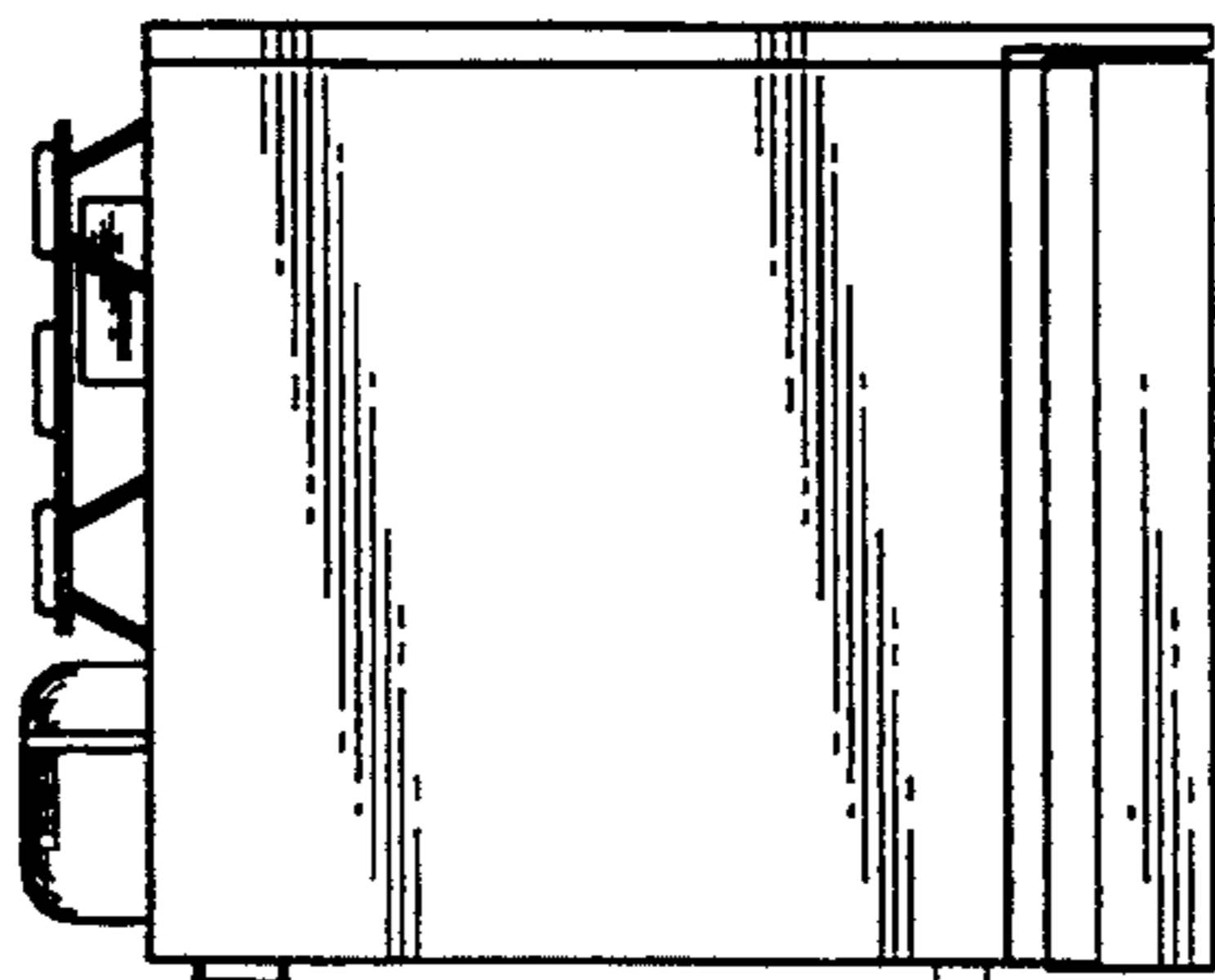


FIG. 3

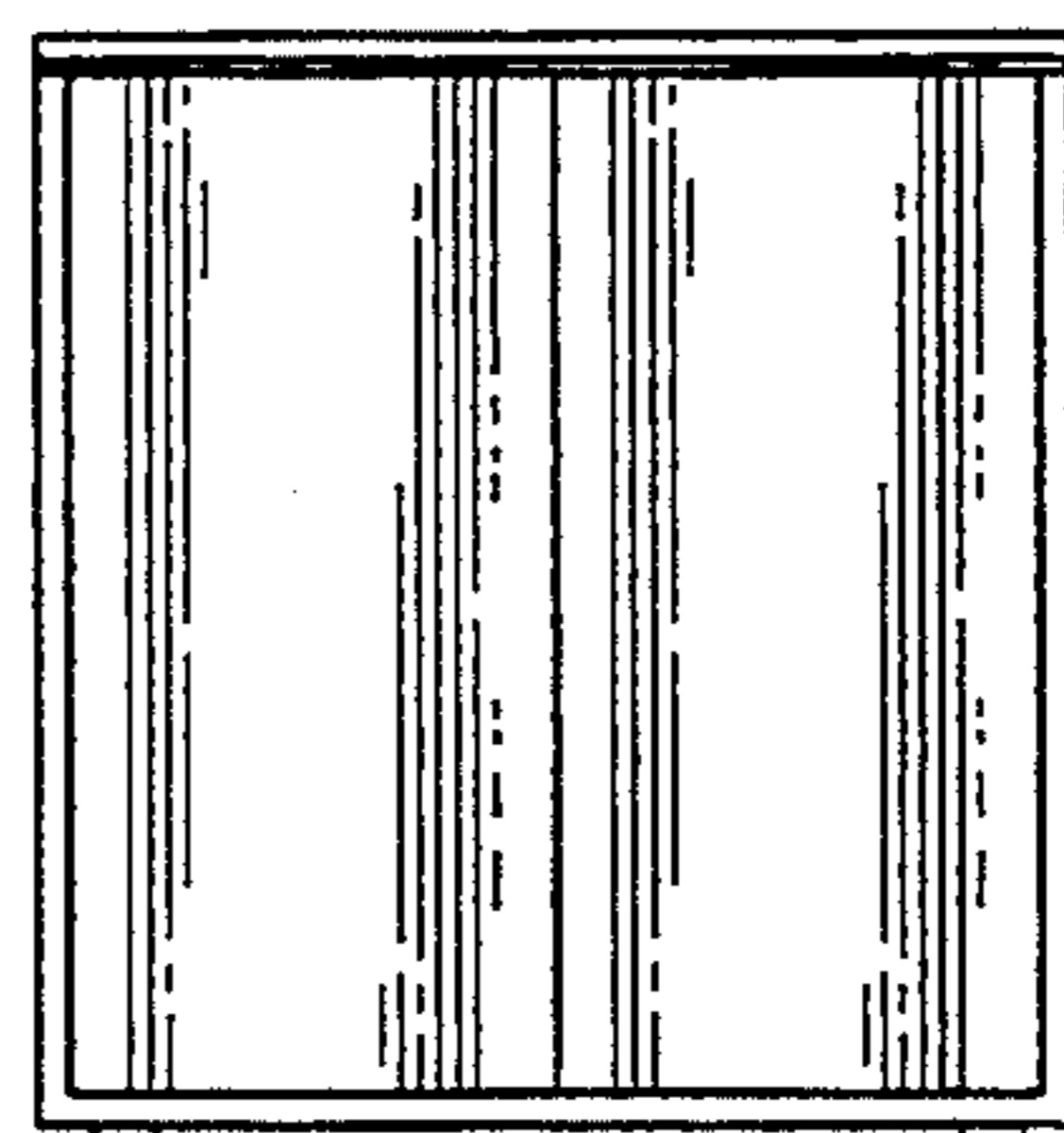


FIG. 4

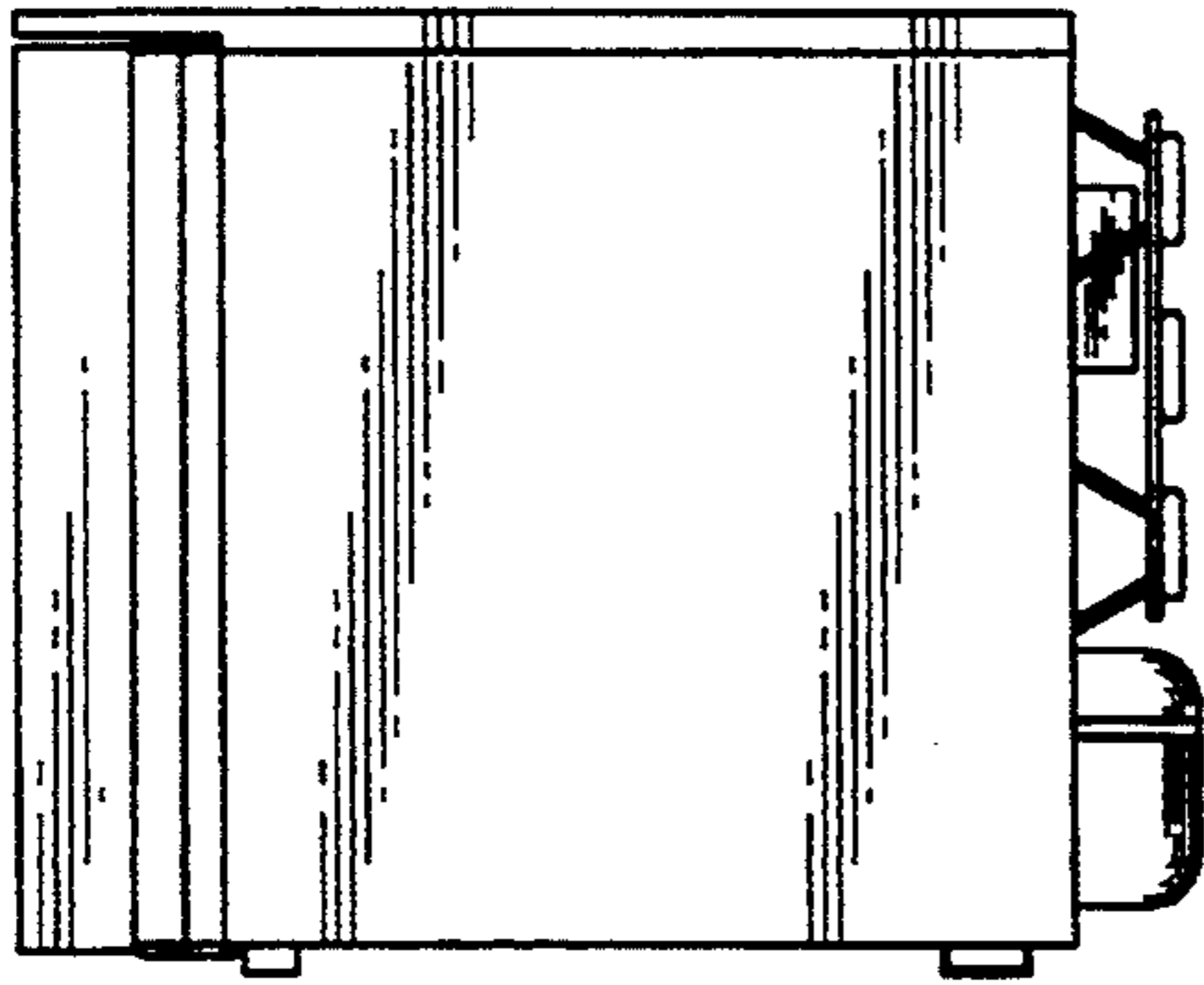


FIG. 5

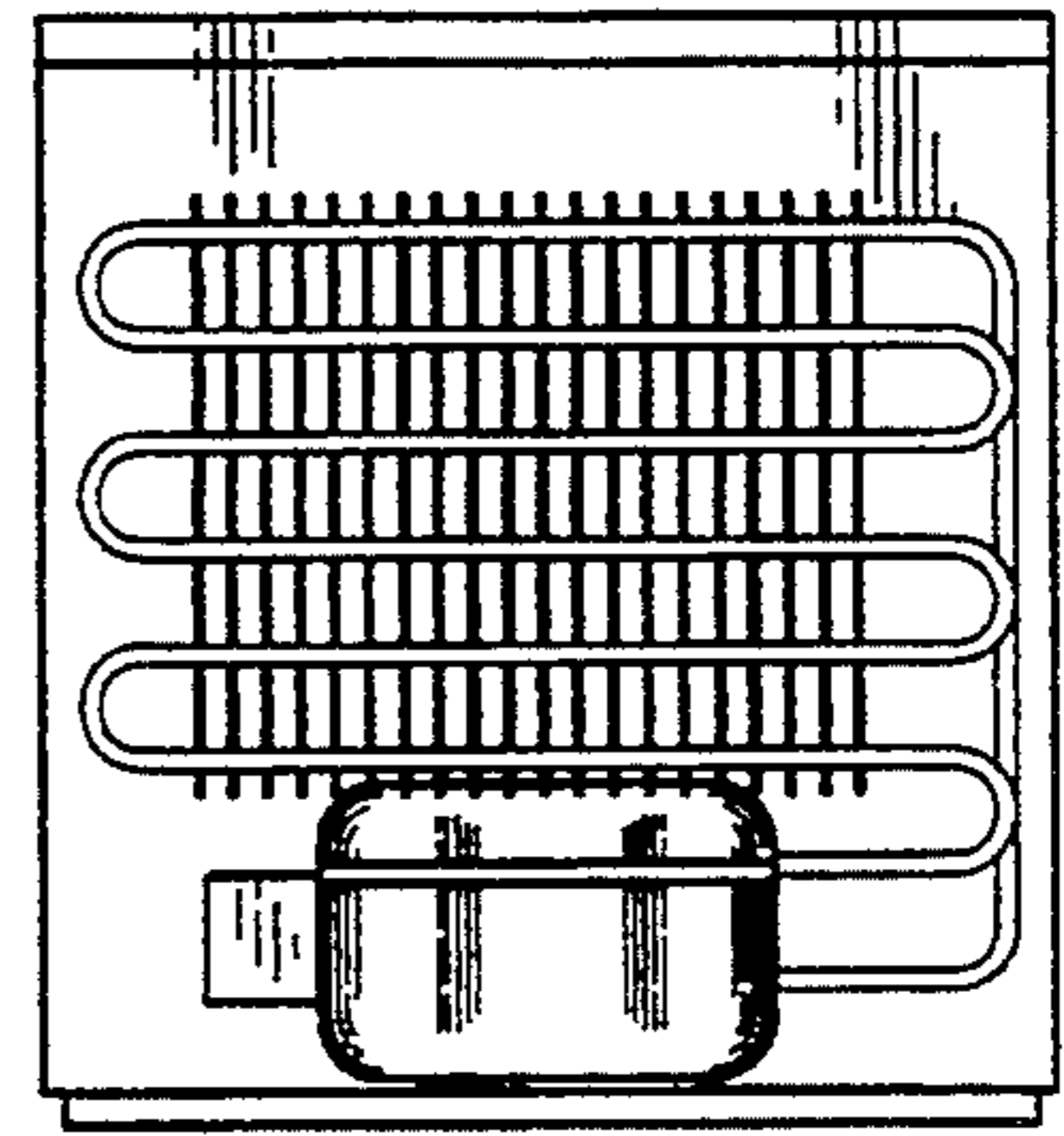


FIG. 6

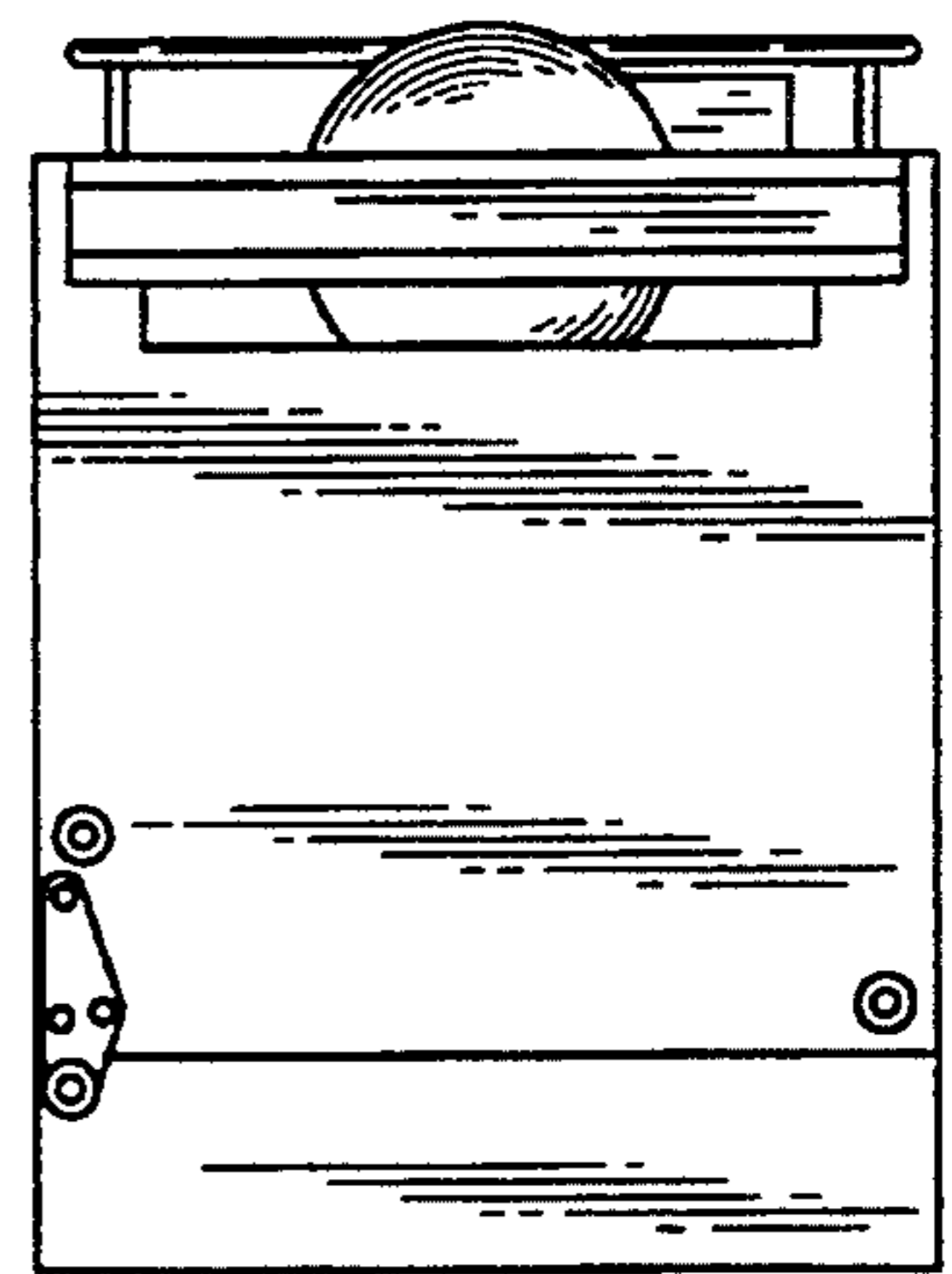


FIG. 7

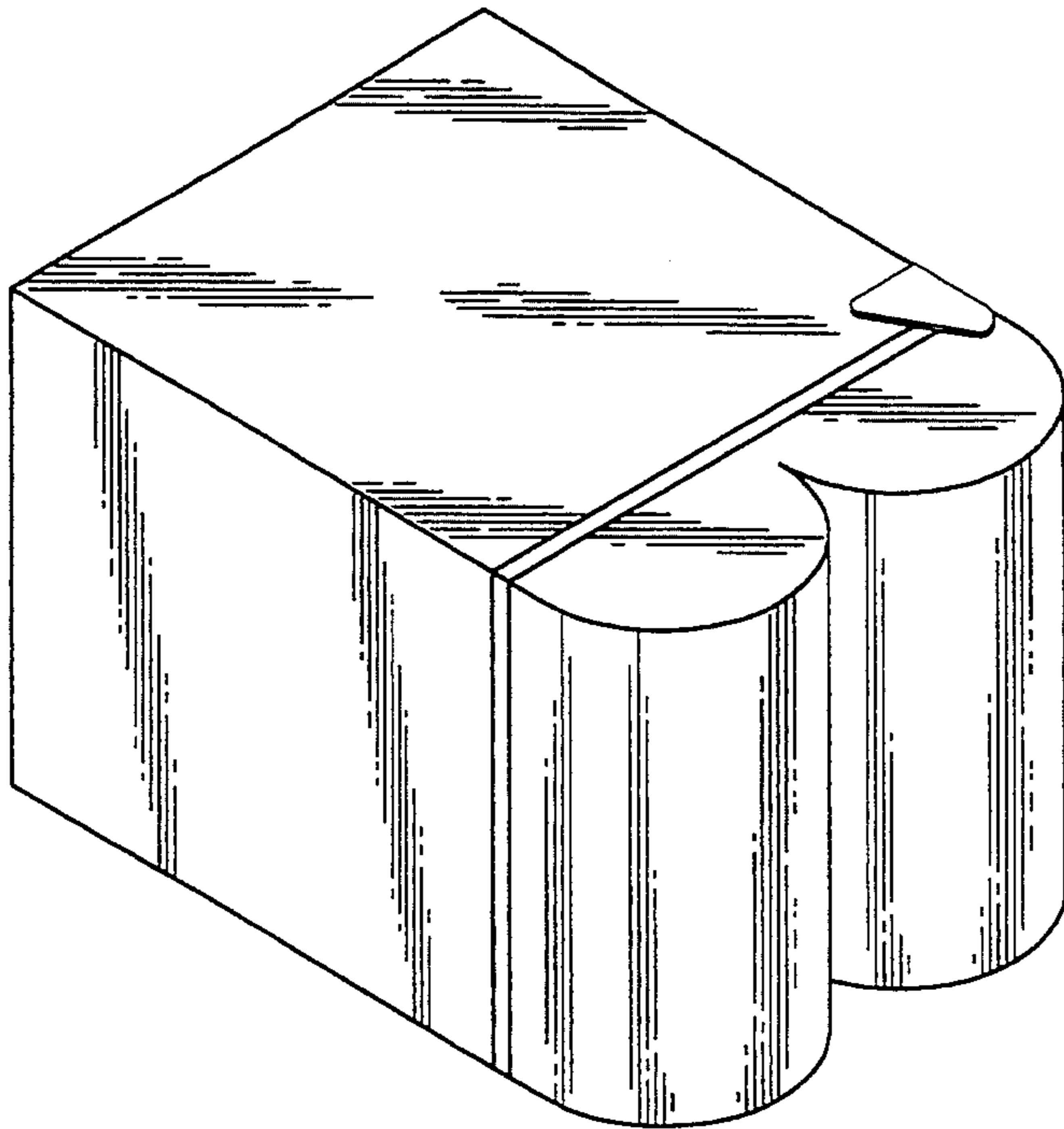


FIG. 8

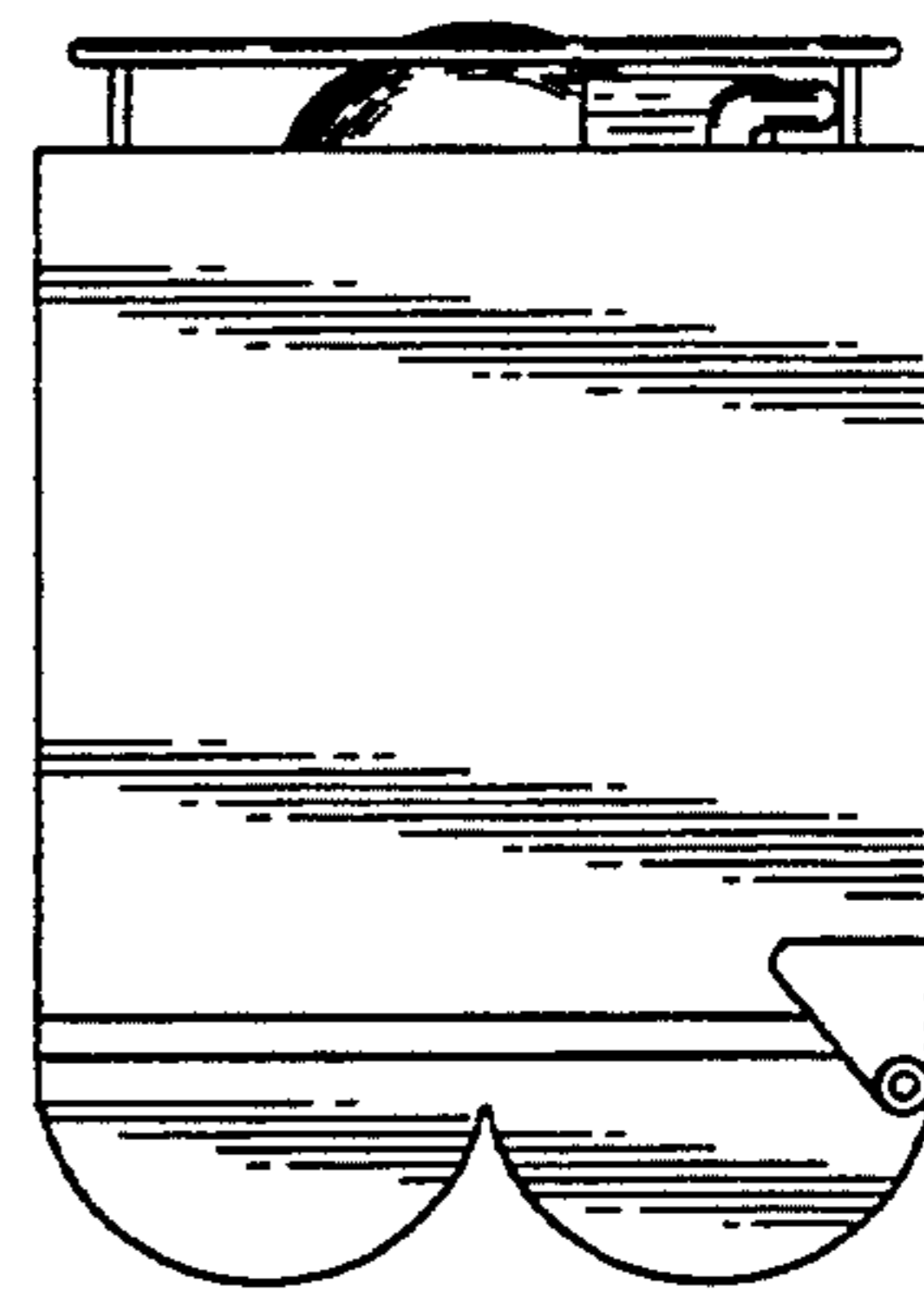


FIG. 9

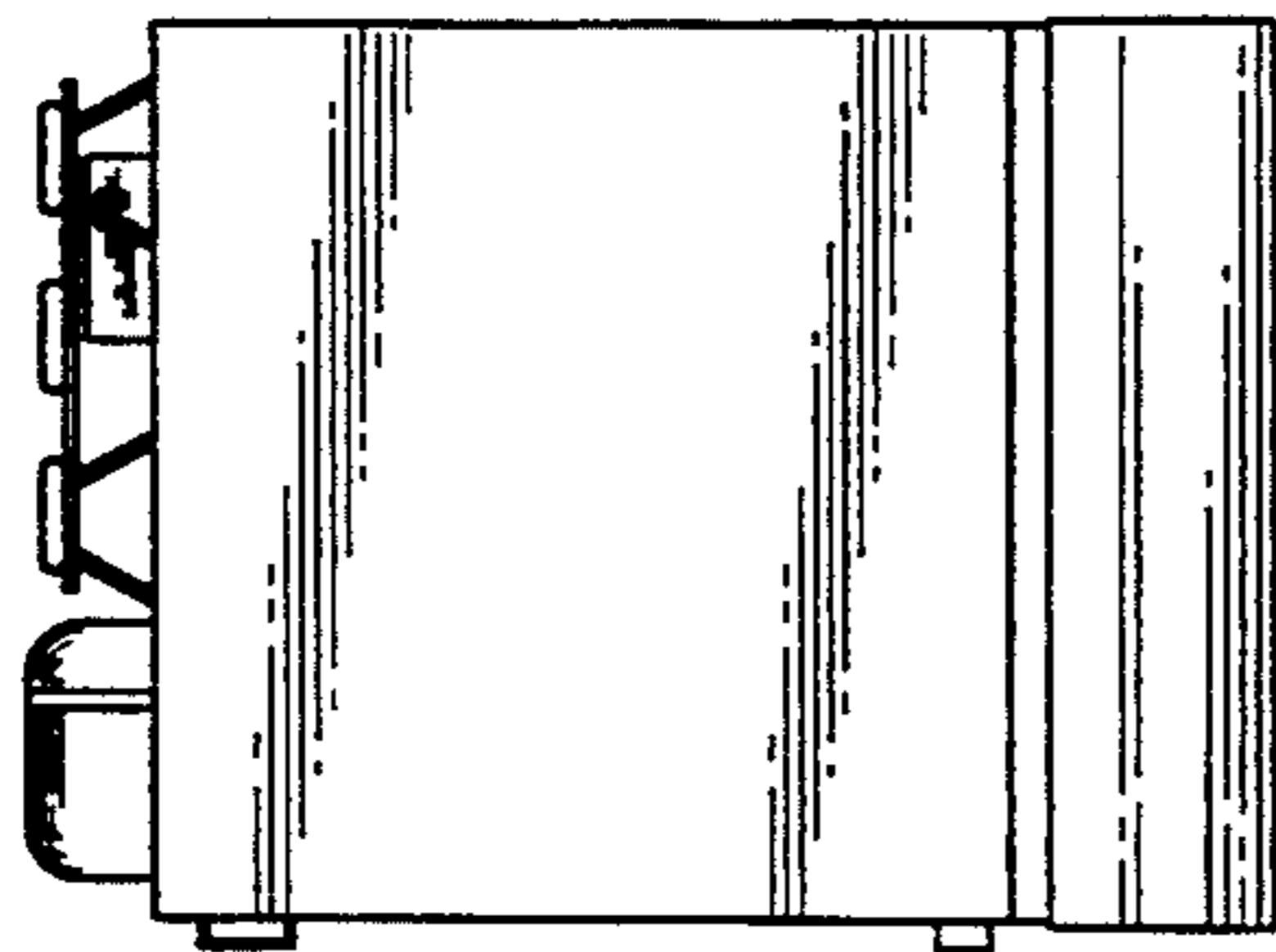


FIG. 10

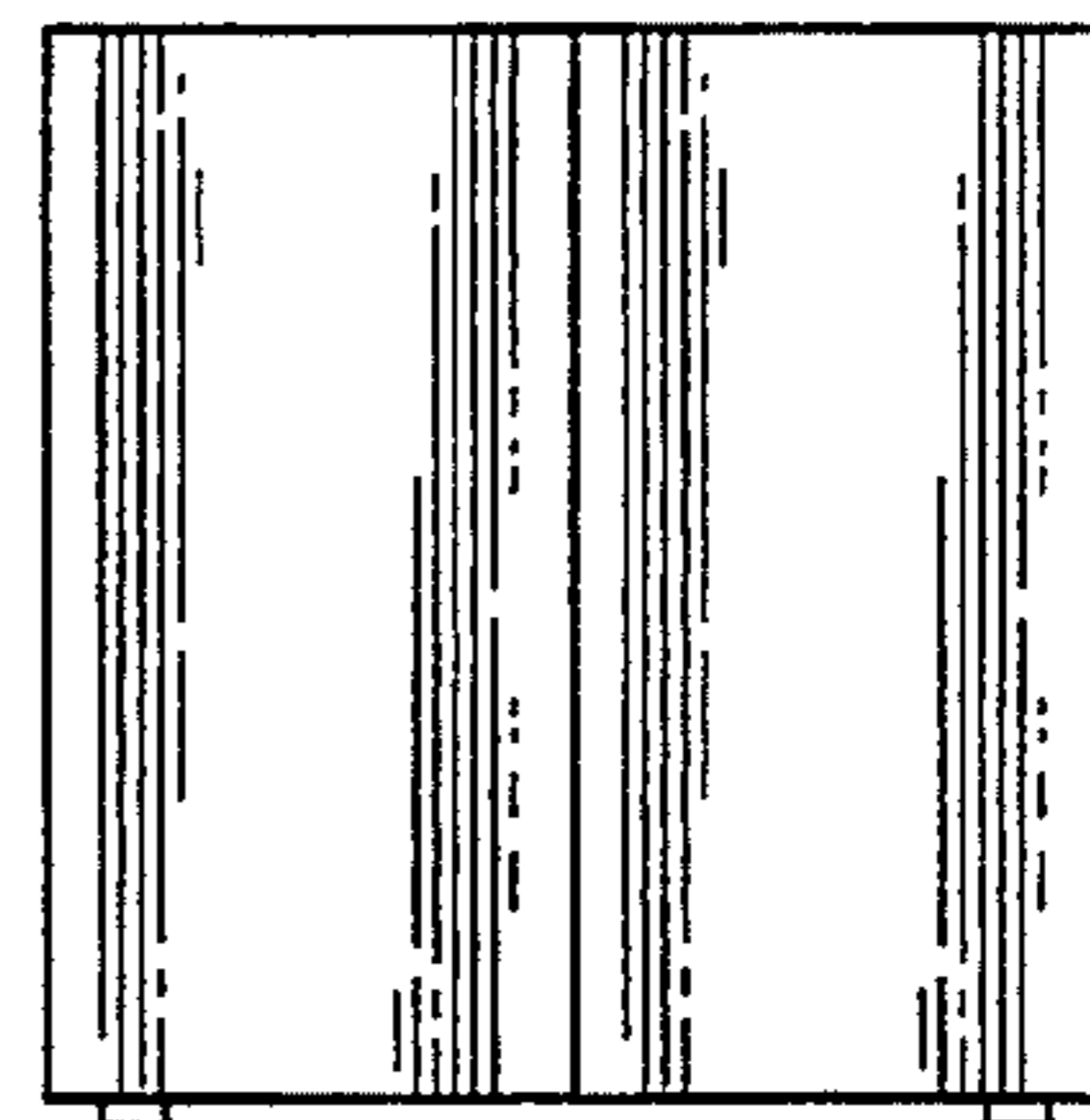


FIG. 11

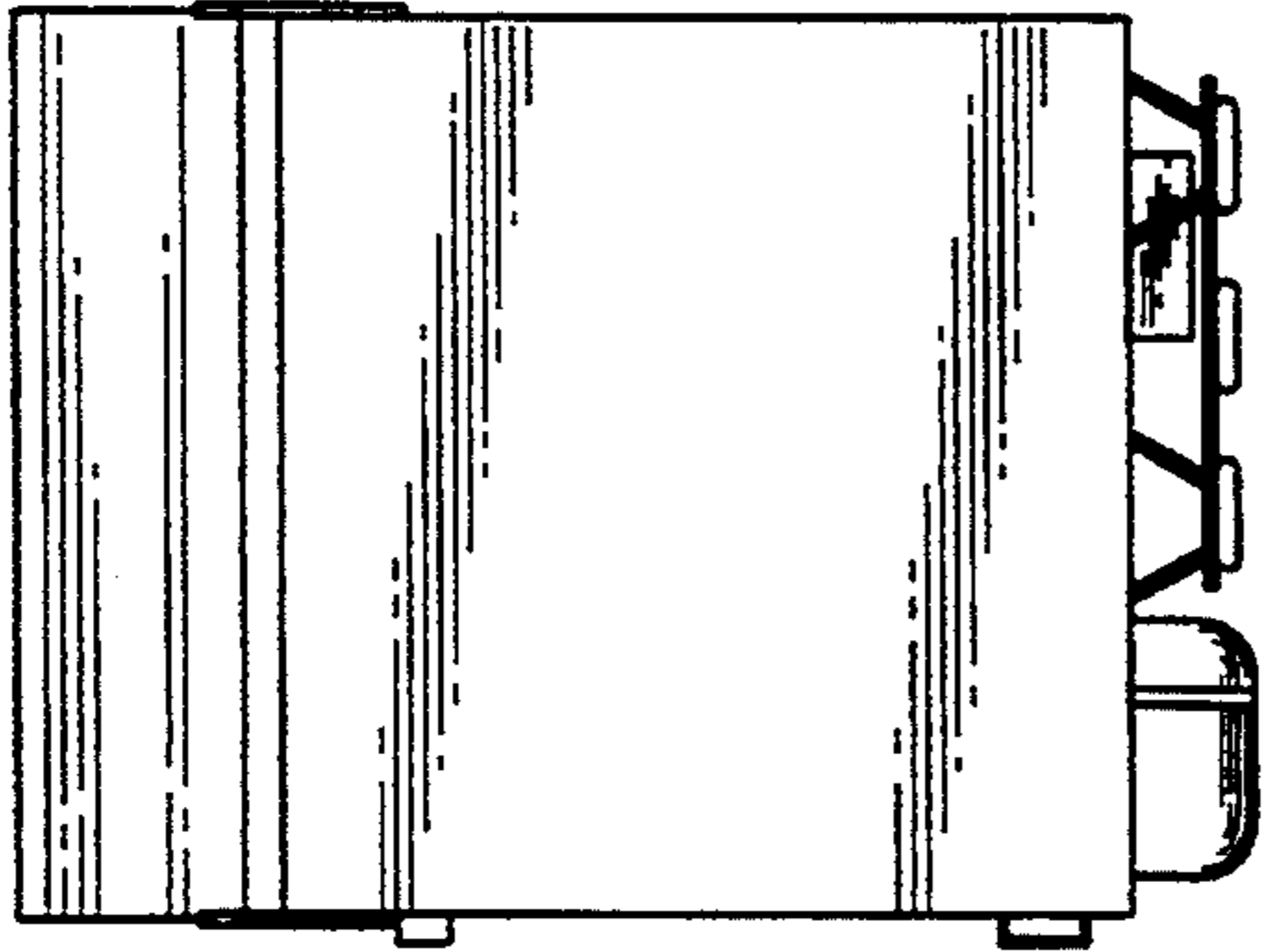


FIG. 12

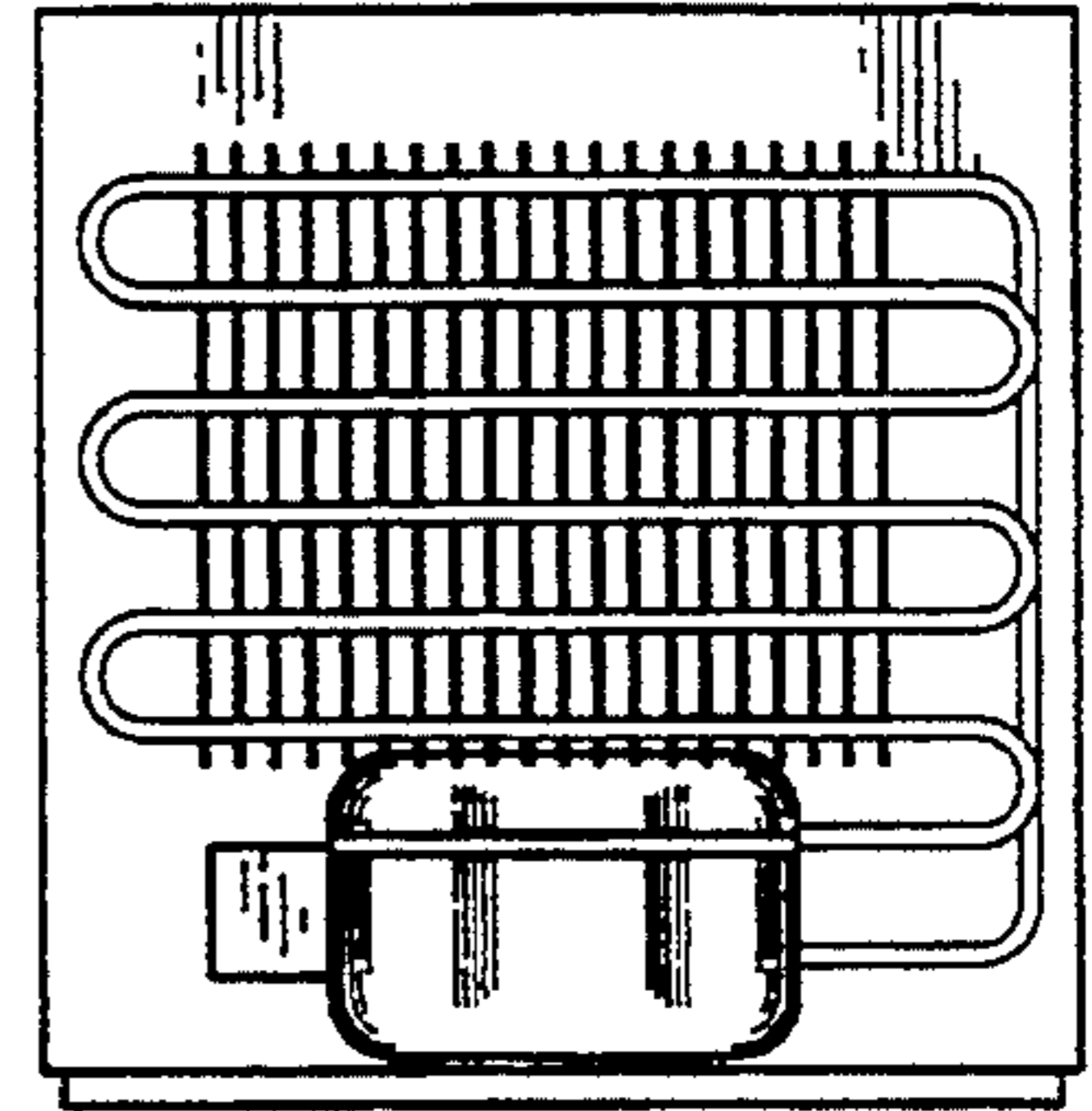


FIG. 13

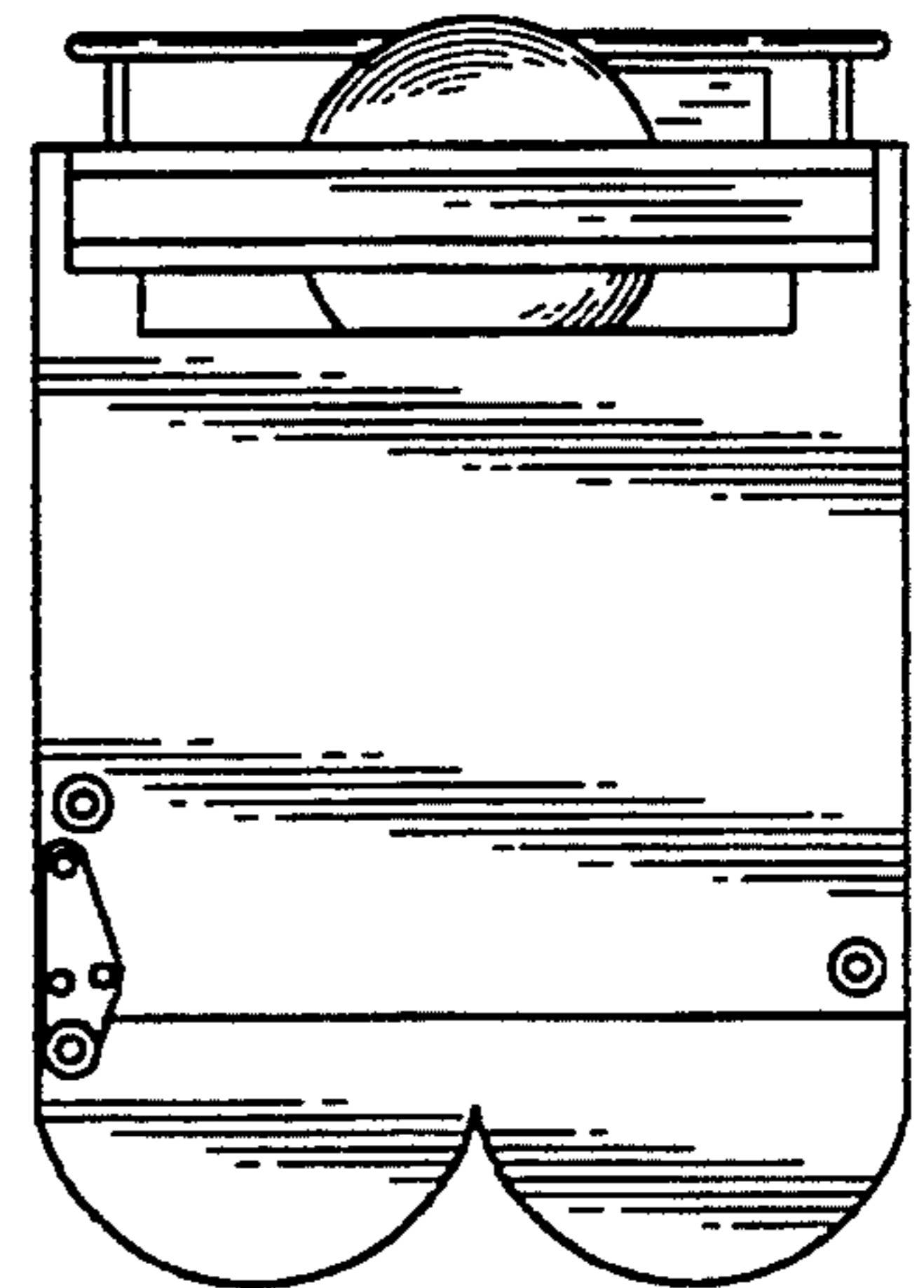


FIG. 14