



US00D353383S

# United States Patent [19]

[11] Patent Number: **Des. 353,383**

Aronsson et al.

[45] Date of Patent: **\*\* Dec. 13, 1994**

[54] **INTAKE NOZZLE FOR A CUTTING MACHINE'S COMBUSTION MOTOR**

[56] **References Cited**

[75] Inventors: **Tore Aronsson, Mölndal; Ove Donnerdal, Partille, both of Sweden**

### U.S. PATENT DOCUMENTS

D. 33,309	10/1900	Lowry	.....	D23/387
D. 259,116	5/1981	Pappas	.....	D15/5
D. 261,924	11/1981	Donohue	.....	D23/386
5,195,484	3/1993	Knapp	.....	123/198 E

[73] Assignee: **Aktiebolaget Electrolux, Stockholm, Sweden**

*Primary Examiner*—Alan P. Douglas  
*Assistant Examiner*—Antoine D. Davis  
*Attorney, Agent, or Firm*—Frost & Jacobs

[\*\*] Term: **14 Years**

### [57] CLAIM

The ornamental design for intake nozzle for cutting machine's combustion motor, as shown.

[21] Appl. No.: **10,865**

### DESCRIPTION

[22] Filed: **Jul. 20, 1993**

FIG. 1 shows the intake nozzle for a cutting machine's combustion motor in a perspective view;  
 FIG. 2 shows the nozzle in a perspective view in the opposite direction;  
 FIG. 3 is a top perspective view of the nozzle;  
 FIG. 4 is a bottom perspective view of the nozzle;  
 FIG. 5 shows a front side of the nozzle;  
 FIG. 6 shows the rear side of the nozzle;  
 FIG. 7 is a side elevation of the nozzle; and,  
 FIG. 8 is a side elevation of the nozzle in the opposite direction.

### [30] Foreign Application Priority Data

Jan. 21, 1993	[SE]	Sweden	.....	93-0142
[52]	U.S. Cl.	.....		<b>D15/5</b>
[58]	Field of Search	.....	123/22, 65 PE, 65 EM, 123/65 WV, 198 R, 198 E, 52 M, 52 MB, 52 ML, 52 MV, 52 MF, 52 MC; 180/68.1, 68.3, 84; D15/1, 3, 5, 199; D23/365, 386, 387, 393	

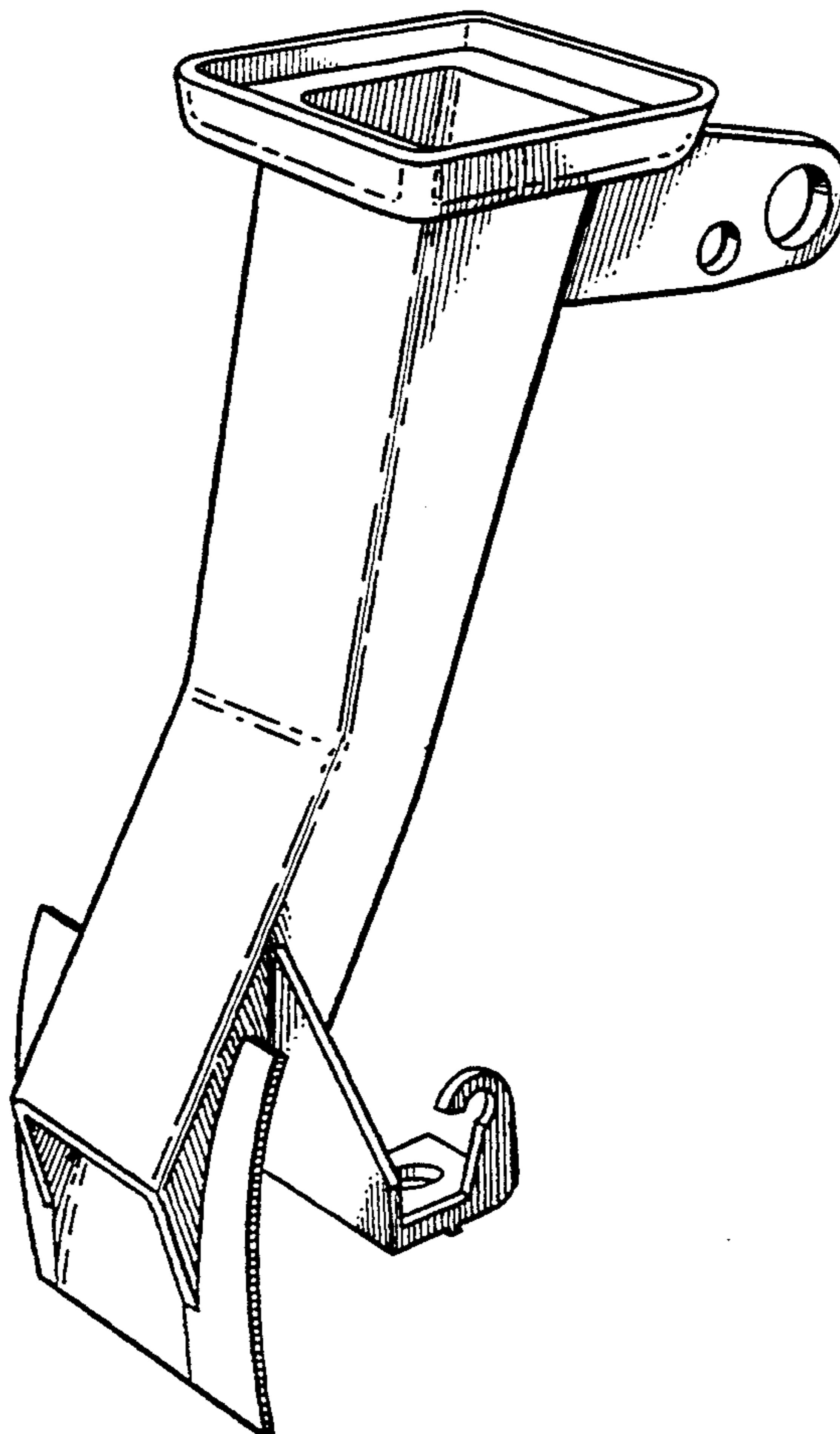


Fig. 1

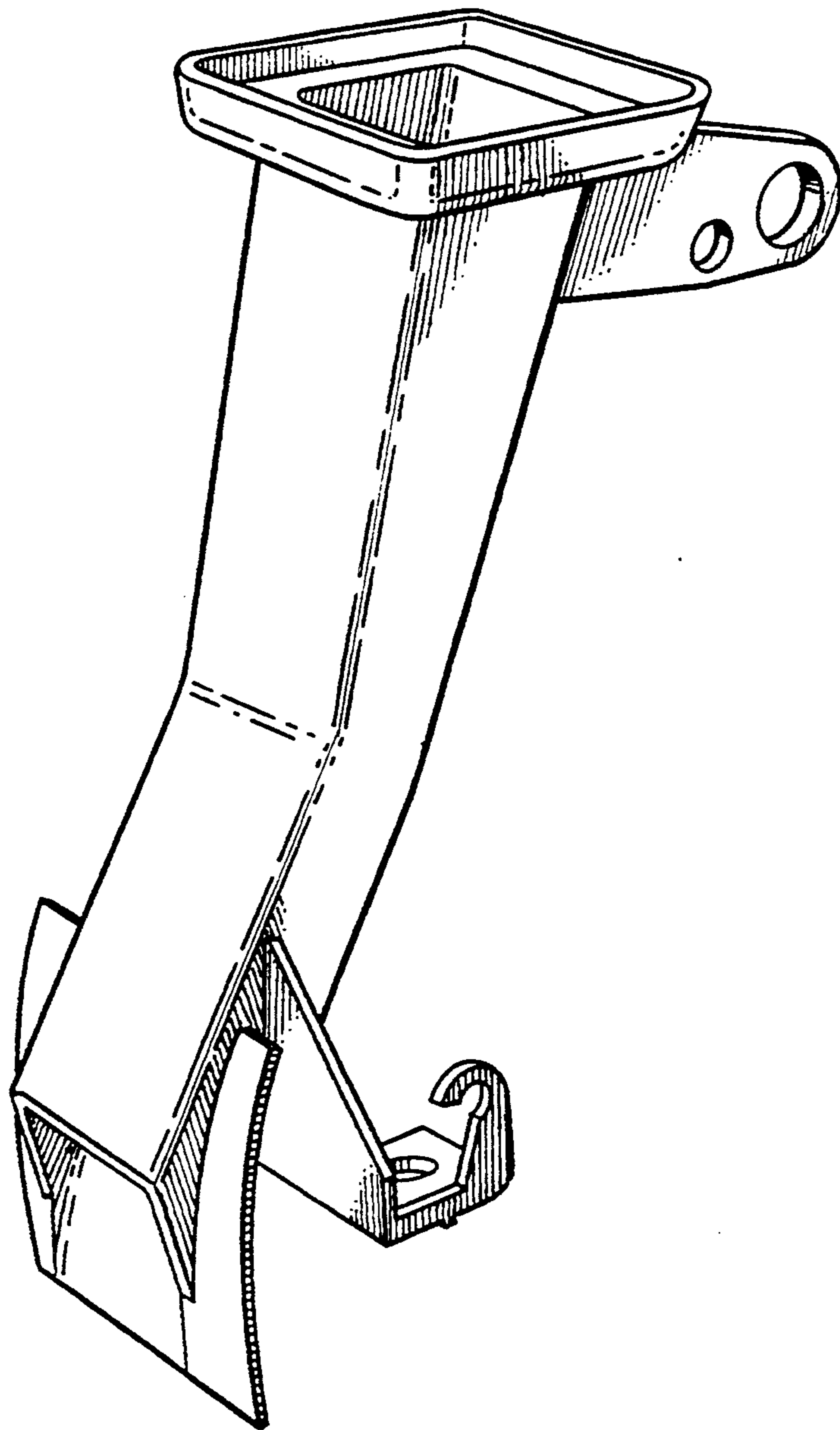


Fig. 2

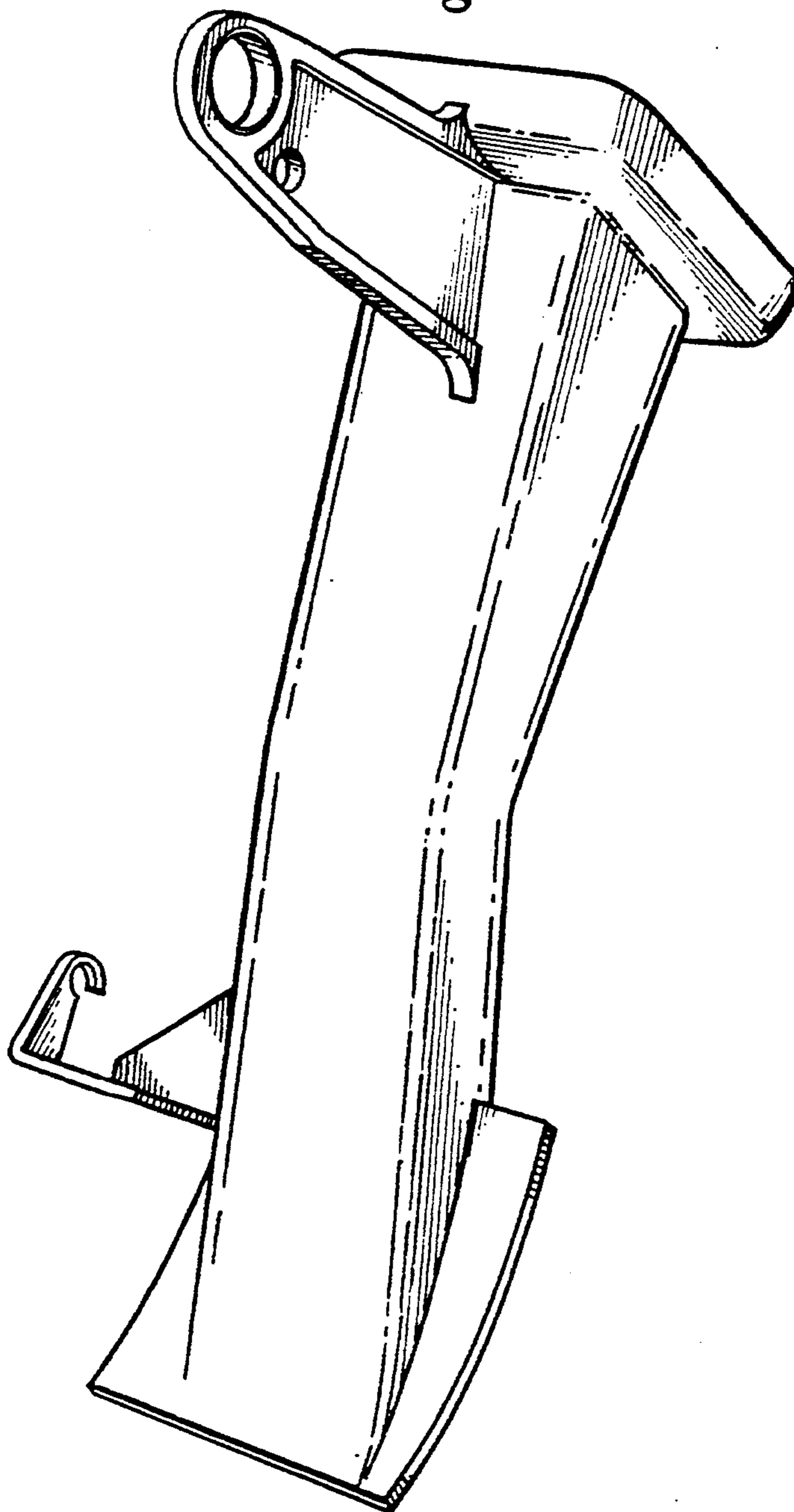


Fig. 3

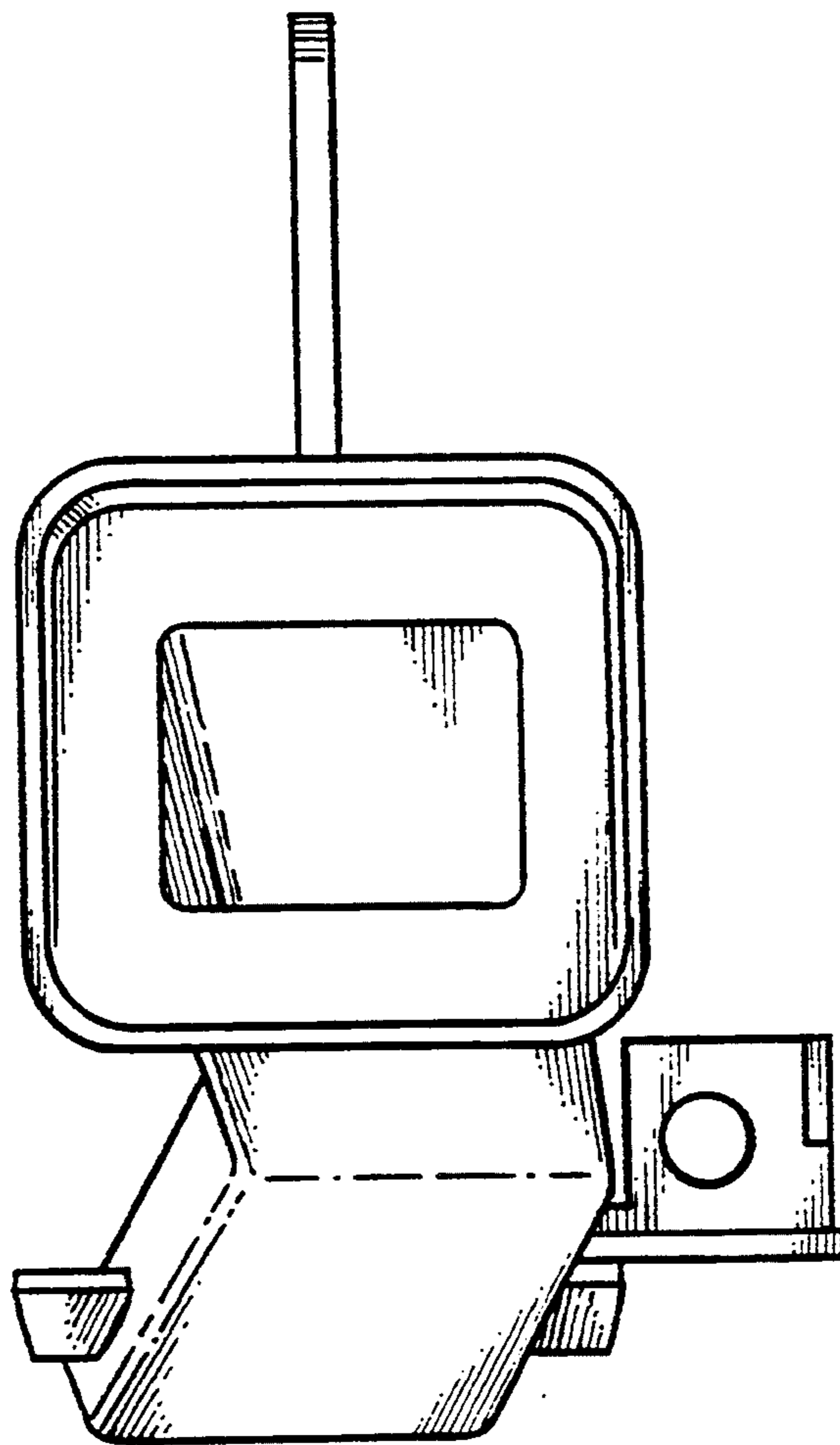


Fig. 4

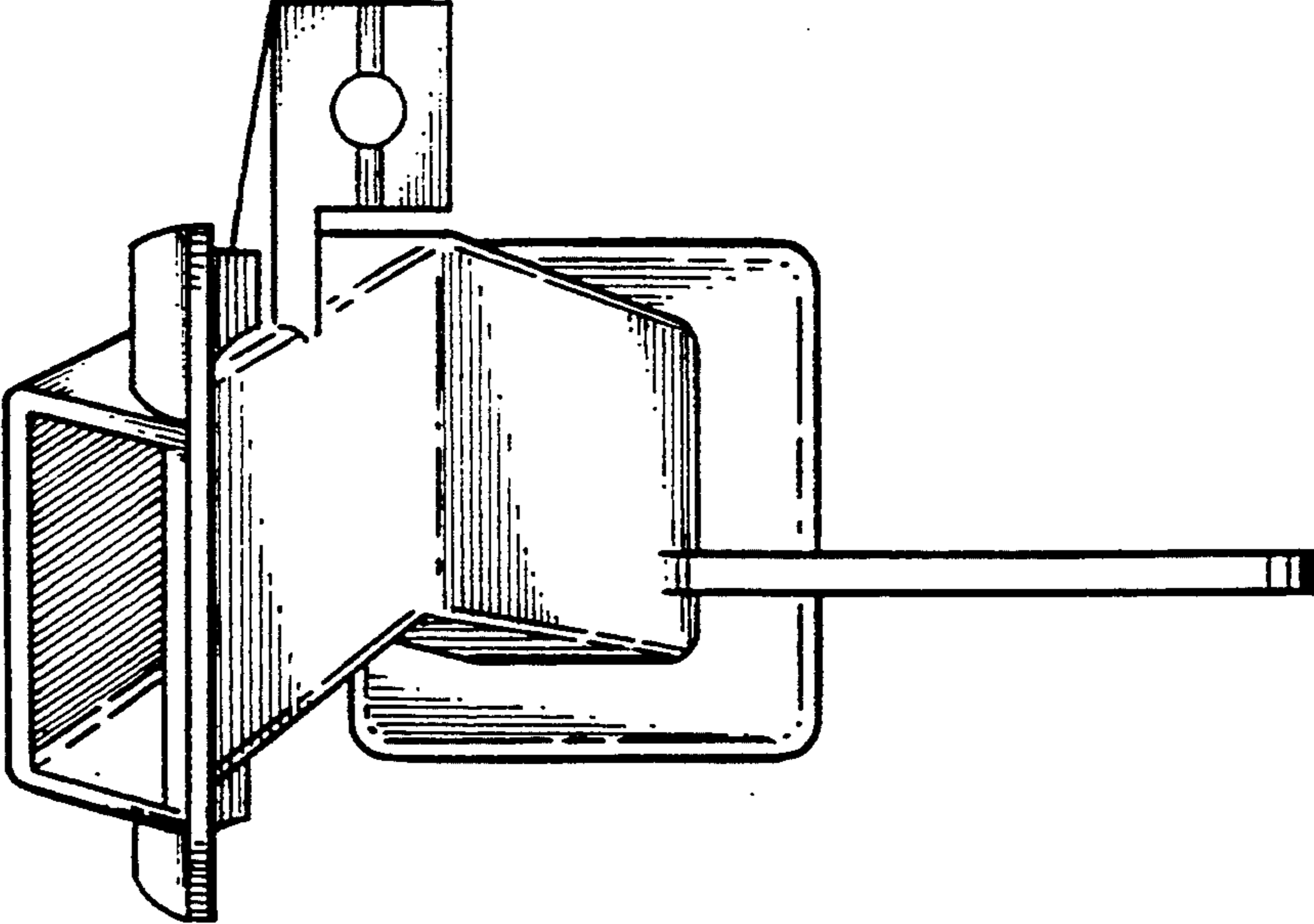


Fig. 5

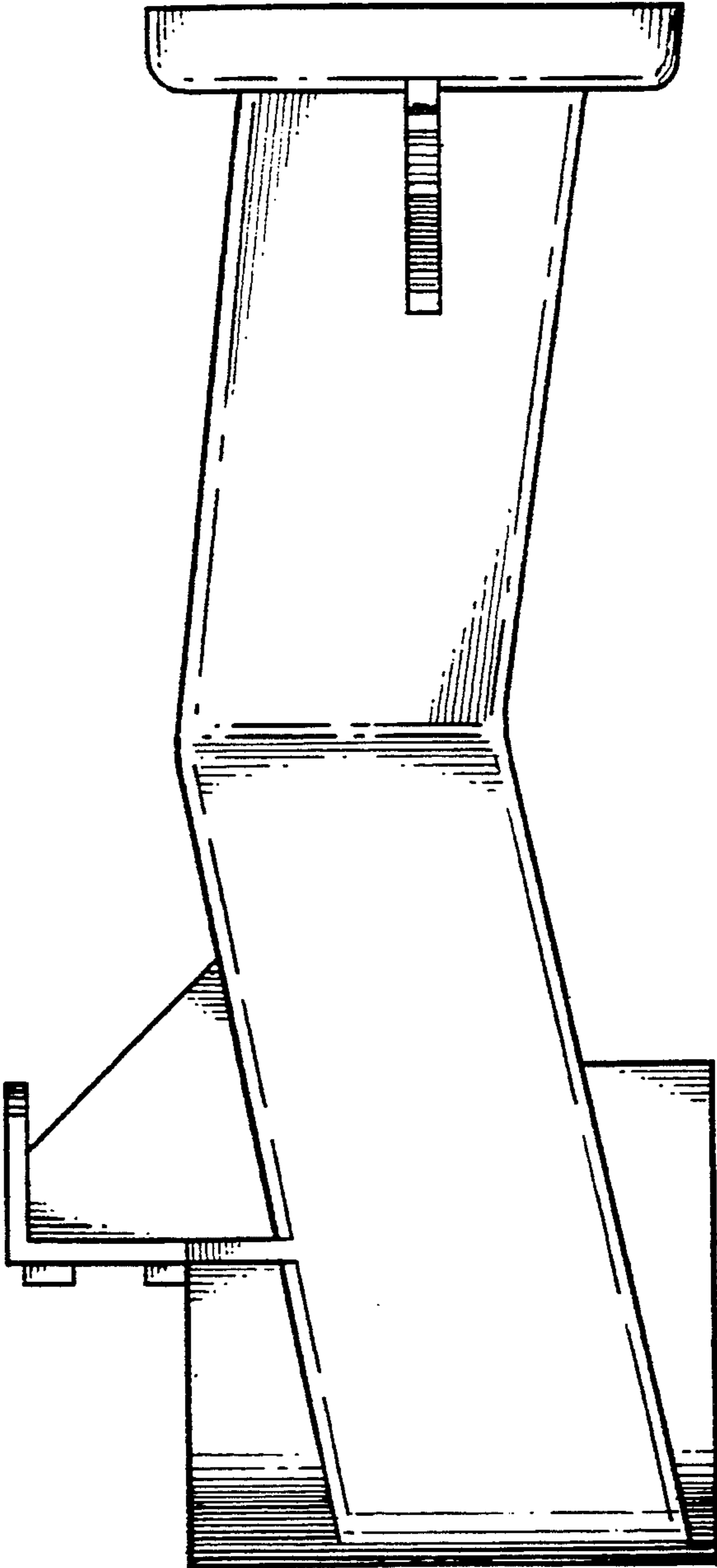


Fig. 6

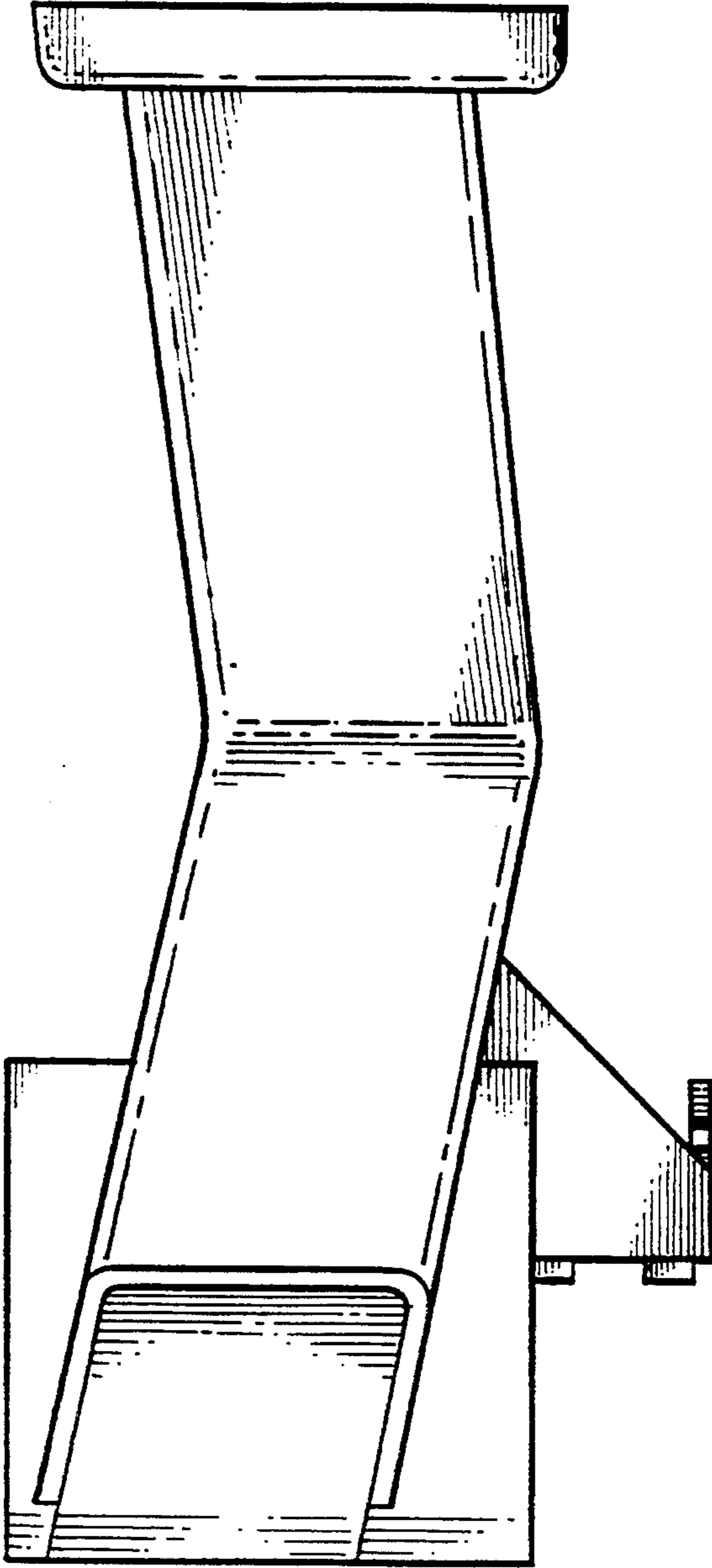


Fig.7

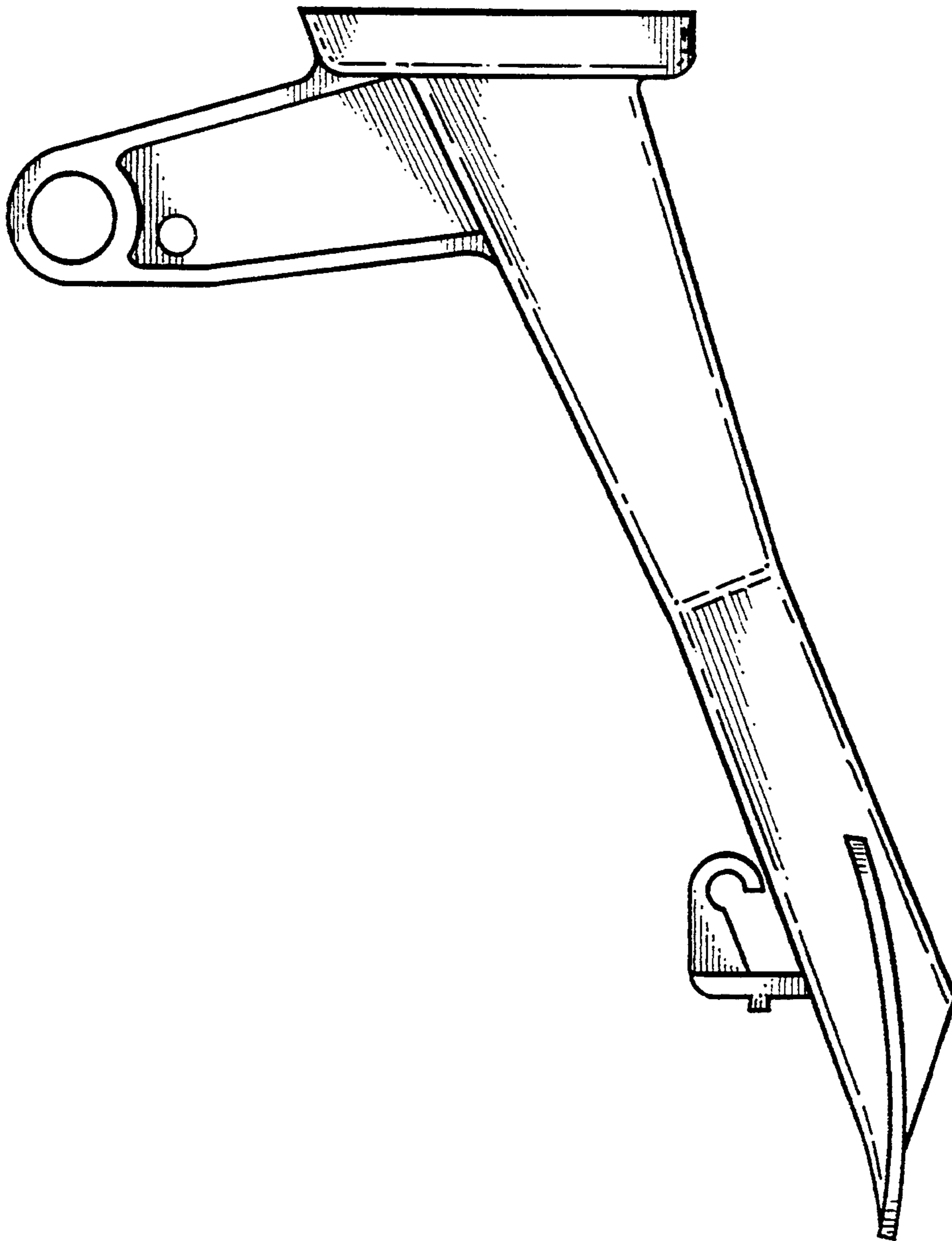




Fig. 8

