



US00D353382S

United States Patent [19]

[11] Patent Number: **Des. 353,382**

Kiyooka et al.

[45] Date of Patent: **** Dec. 13, 1994**

[54] **INTERNAL COMBUSTION ENGINE**

[75] Inventors: **Katsumi Kiyooka, Tougane; Toshihisa Nemoto, Ichihara; Kaori Katoh, Chiba, all of Japan**

[73] Assignee: **Maruyama Mfg. Co., Inc., Tokyo, Japan**

[**] Term: **14 Years**

[21] Appl. No.: **14,210**

[22] Filed: **Oct. 15, 1993**

[30] **Foreign Application Priority Data**

Apr. 16, 1993 [JP] Japan 5-11018

[52] U.S. Cl. **D15/1**

[58] Field of Search 123/50 A, 50 B, 50 R, 123/51 R, 51 A, 51 B, 65 R, 70 R, 51 BD, 65 P, 65 PP, 65 PE; D15/1-6

[56] **References Cited**

U.S. PATENT DOCUMENTS

D. 260,394 8/1981 Tuggle D15/1

D. 276,160 10/1984 Tuggle et al. D15/1
D. 282,071 1/1986 Nakamura D15/1
D. 284,862 7/1986 Iida D15/1
D. 344,088 2/1994 Tuggle et al. D15/1

Primary Examiner—Ralf T. Seifert
Attorney, Agent, or Firm—Cushman Darby & Cushman

[57] **CLAIM**

The ornamental design for an internal combustion engine, as shown.

DESCRIPTION

FIG. 1 is a perspective view of an internal combustion engine embodying our design; as viewed from the front thereof;

FIG. 2 is a perspective view of the internal combustion engine as viewed from its rear;

FIG. 3 is a front elevational view of FIG. 1;

FIG. 4 is a rear elevational view of FIG. 1;

FIG. 5 is a left side elevational view of FIG. 1;

FIG. 6 is a right side elevational view of FIG. 1;

FIG. 7 is a top plan view of FIG. 1; and,

FIG. 8 is a bottom plan view of FIG. 1.

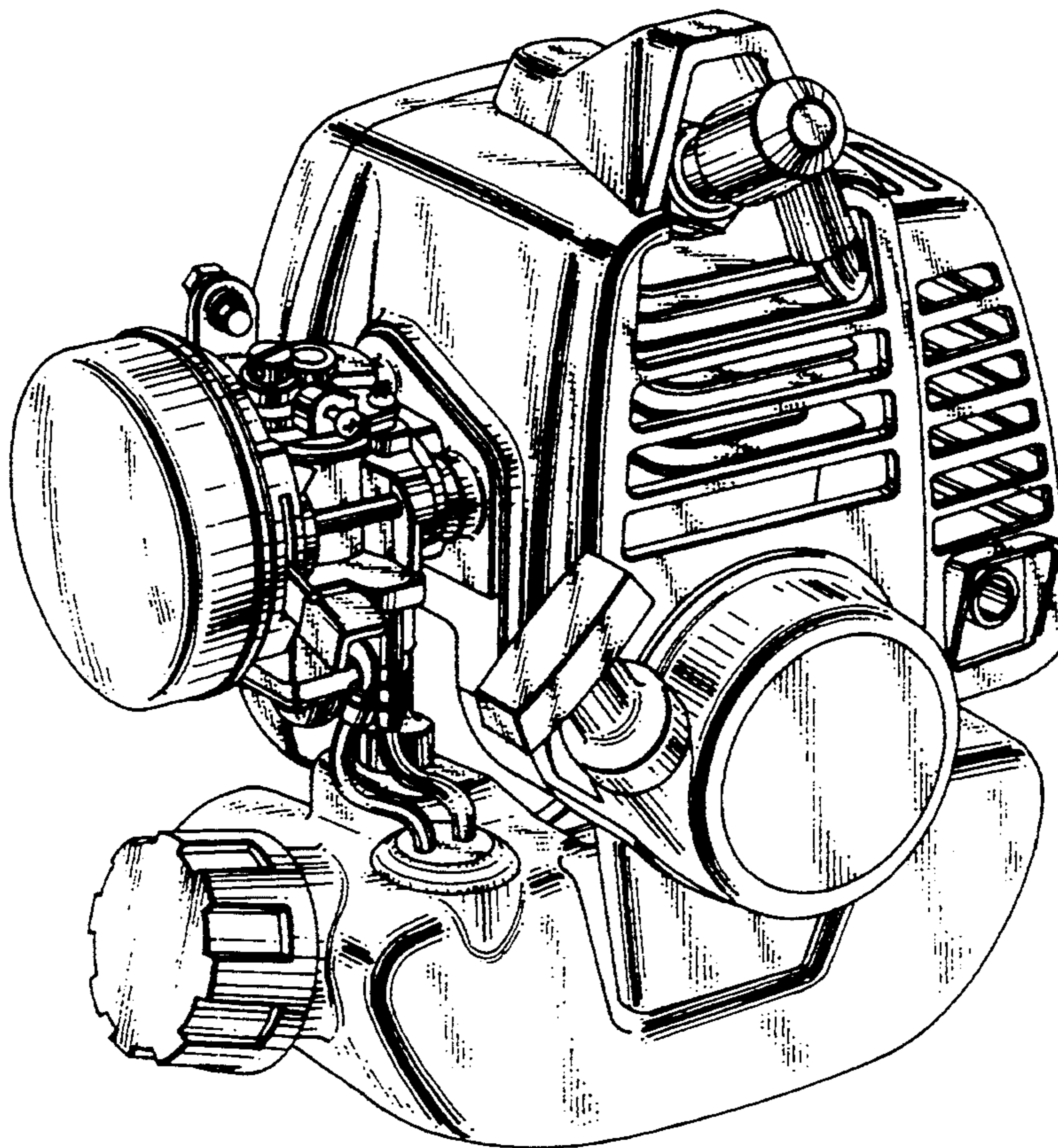


FIG. 1

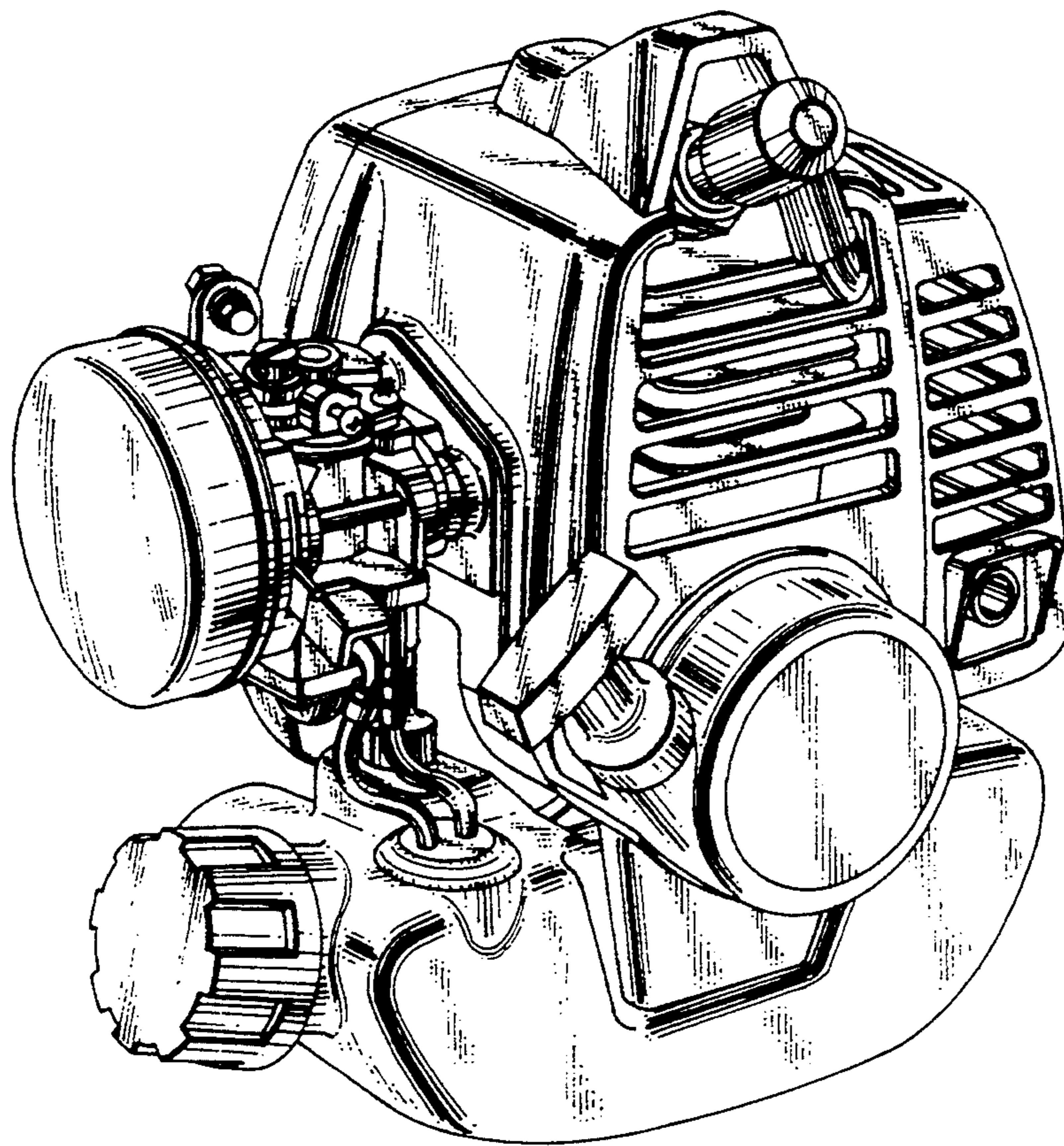


FIG. 2

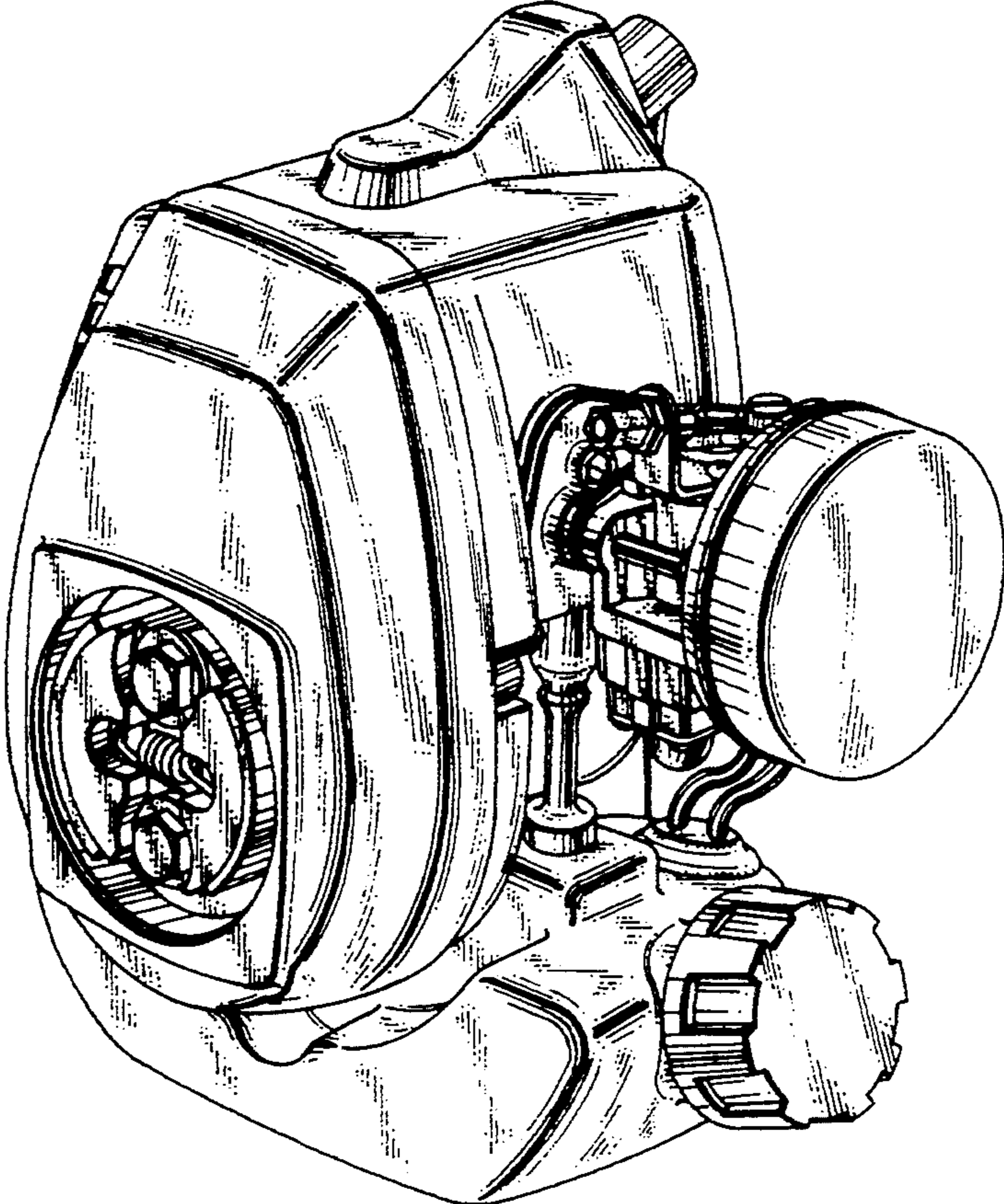


FIG. 4

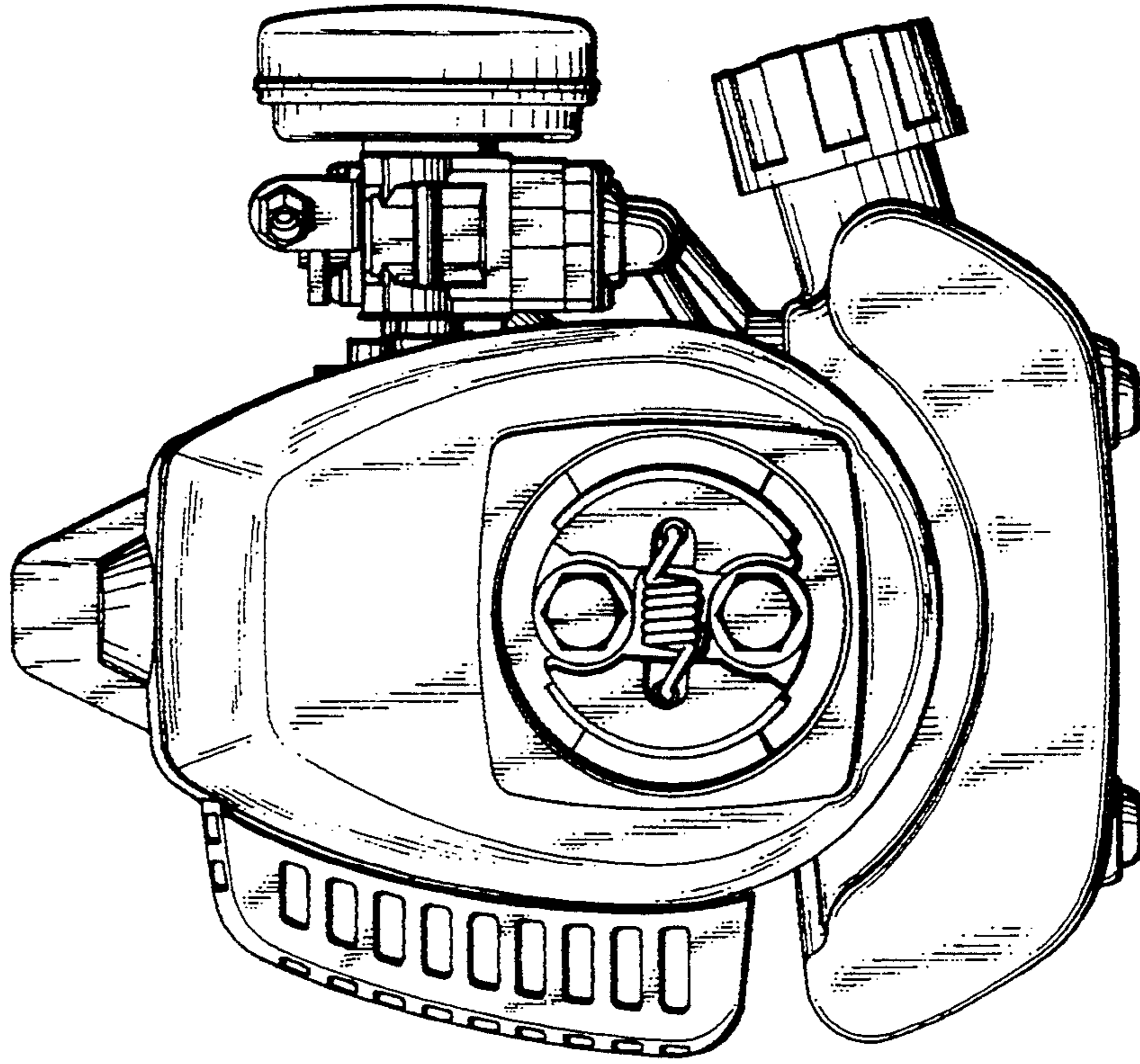


FIG. 3

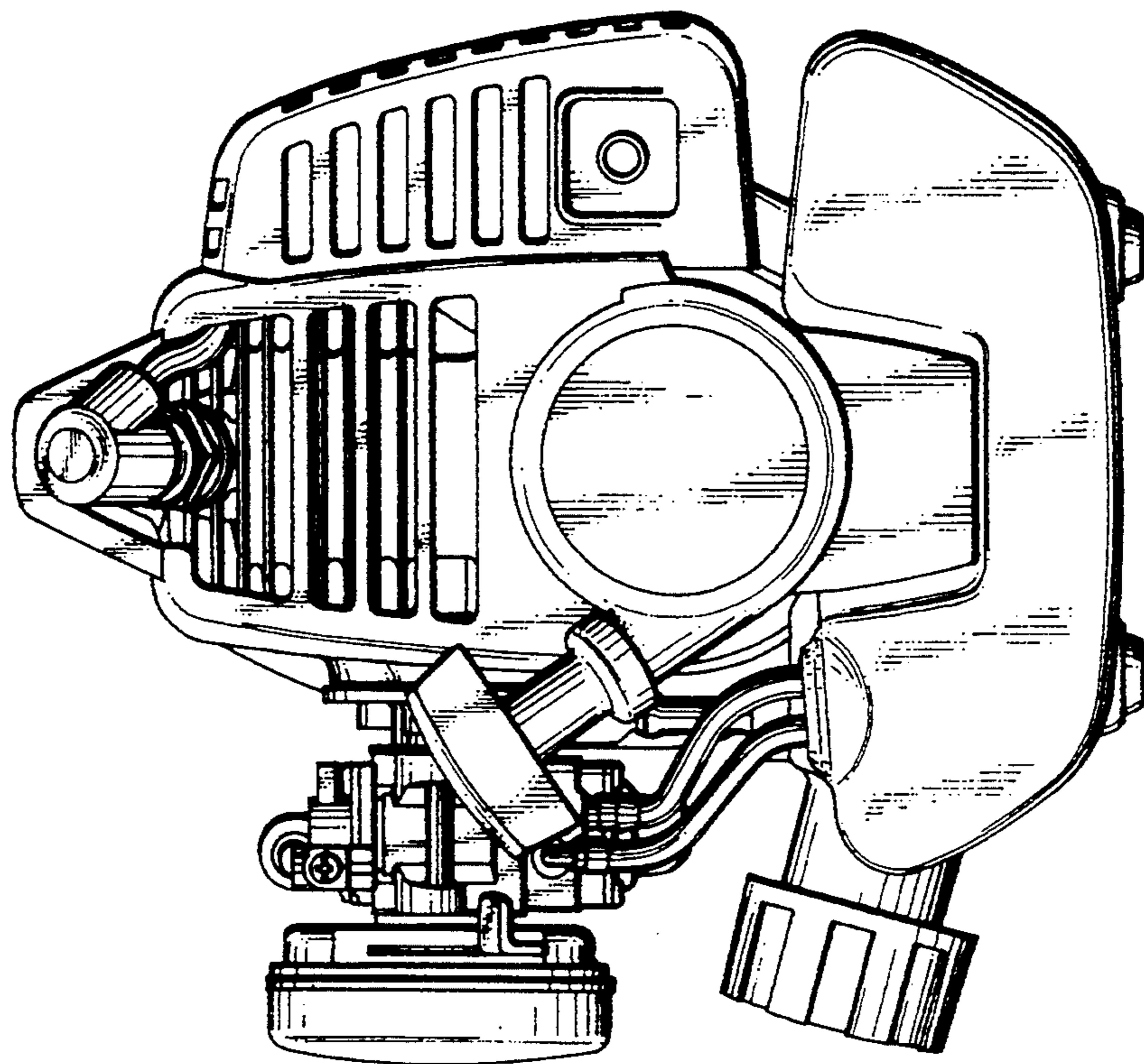


FIG. 6

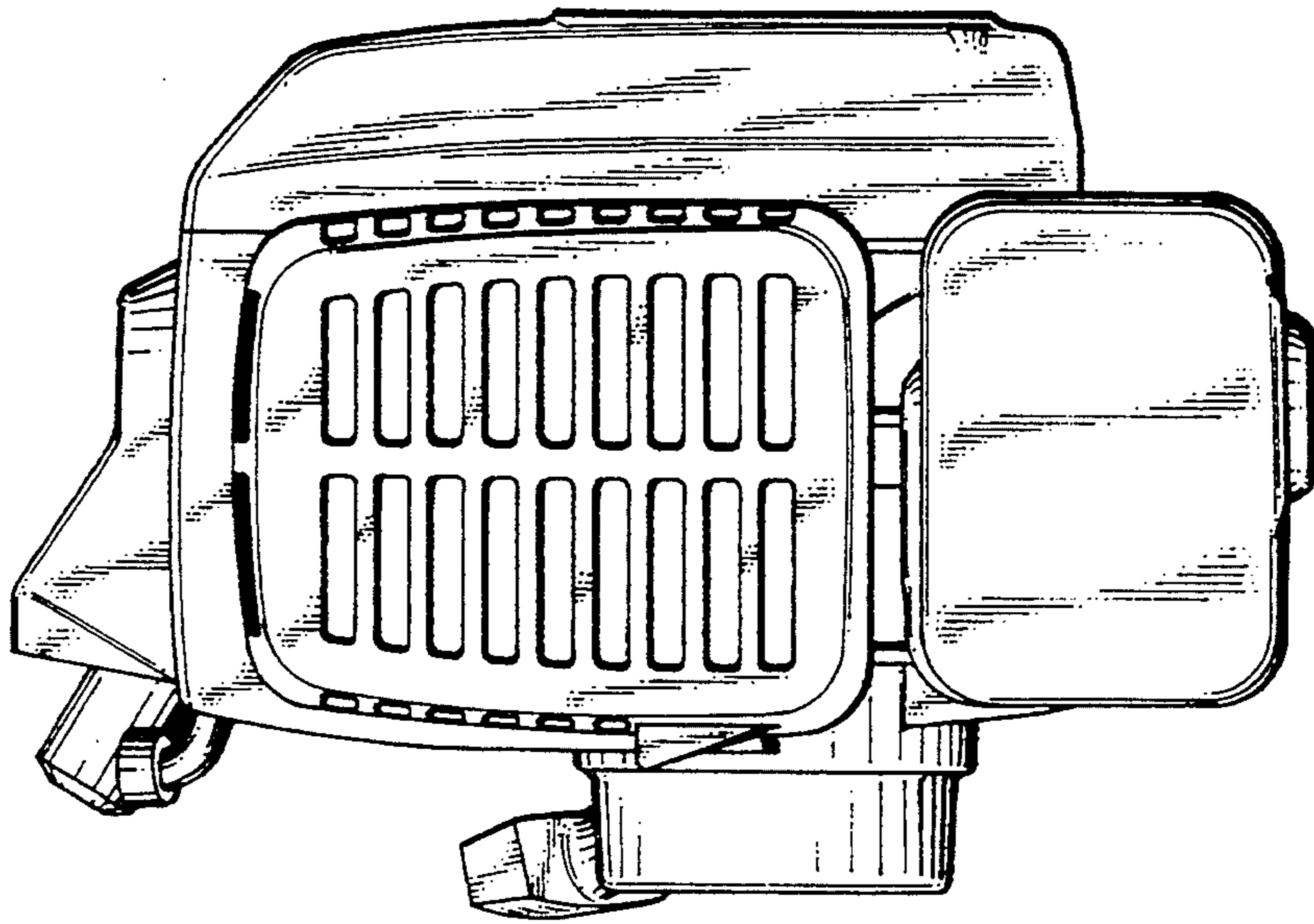


FIG. 5

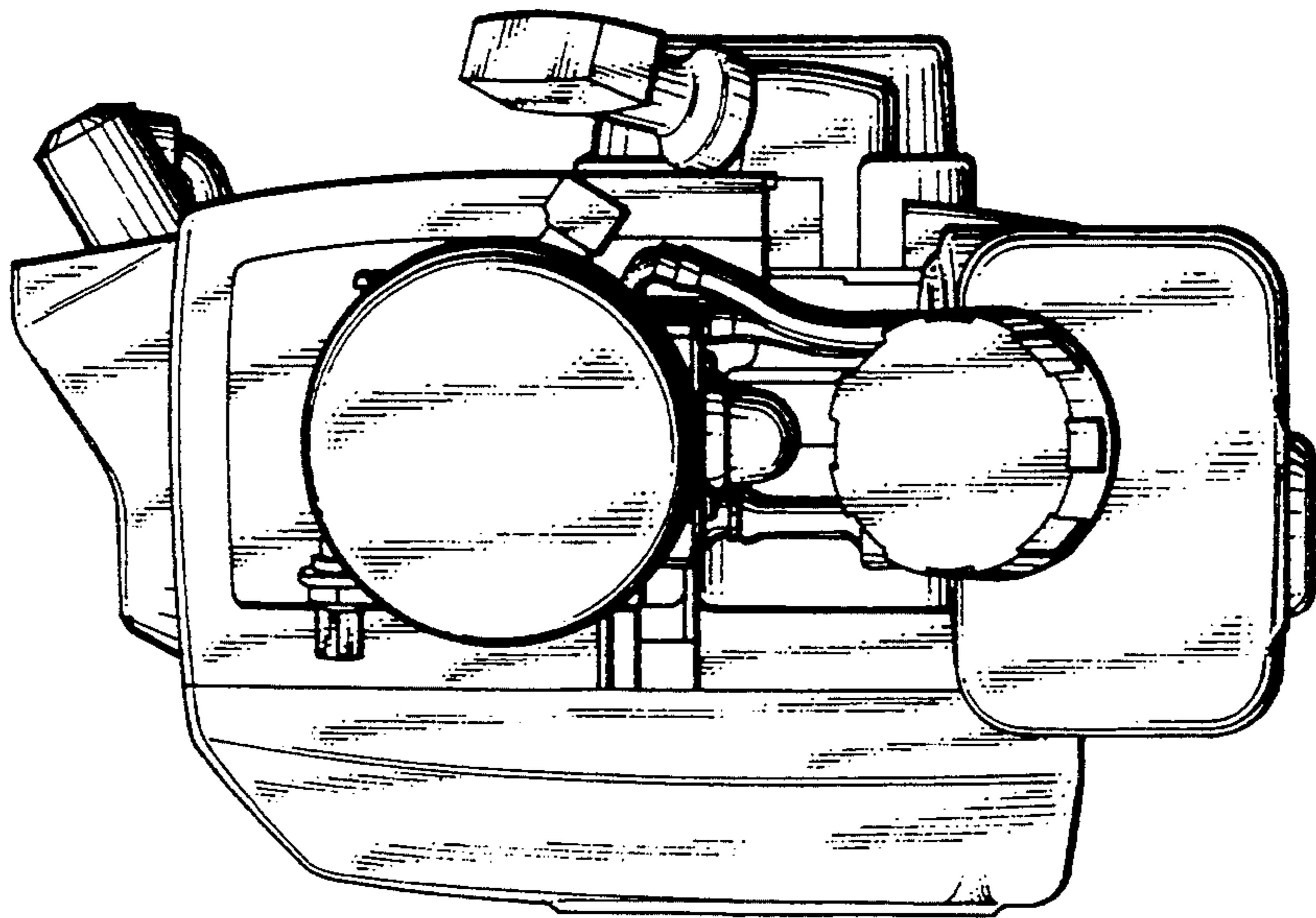


FIG. 7

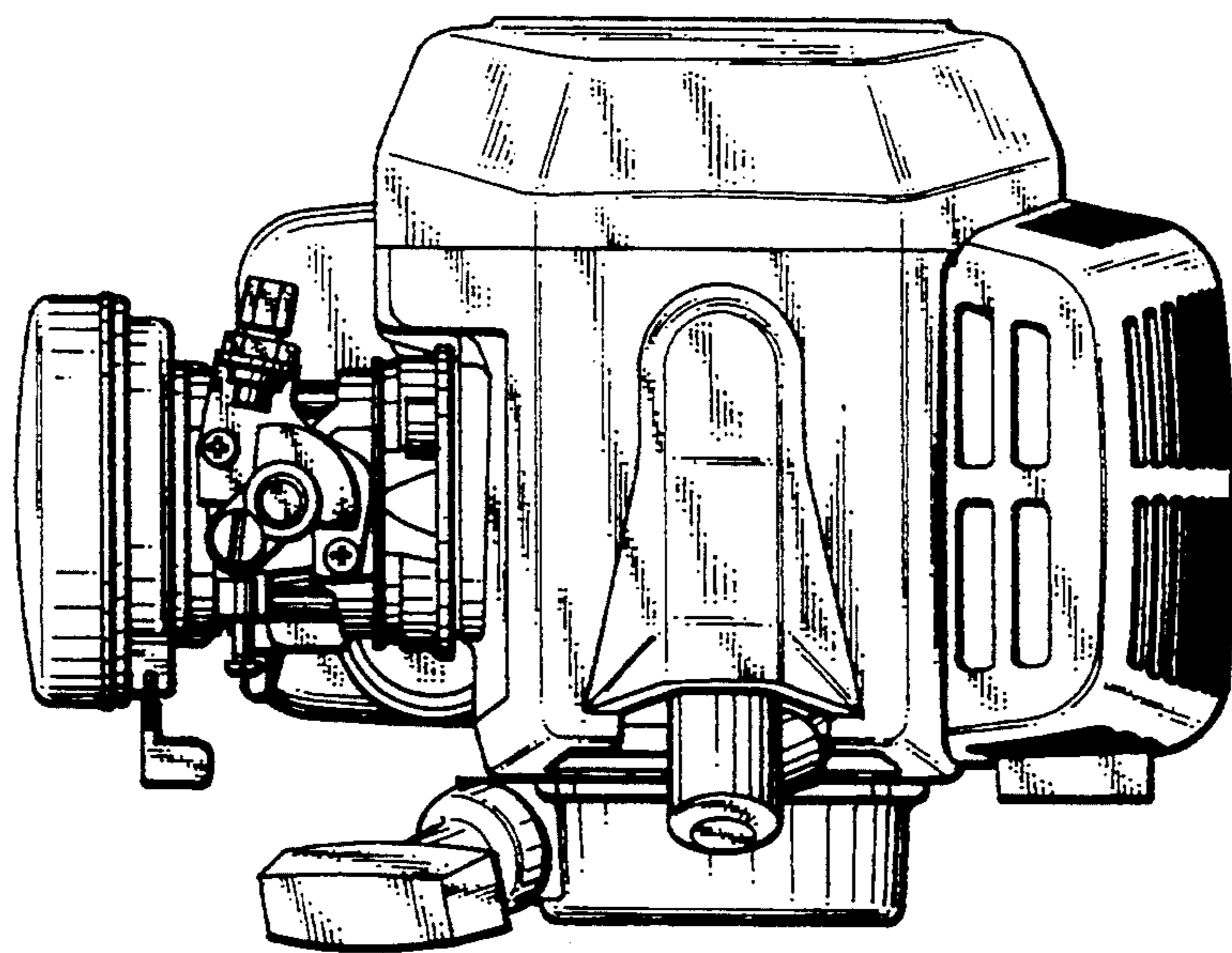


FIG. 8

