



US00D353381S

United States Patent [19]

[11] Patent Number: **Des. 353,381**

Yoshida et al.

[45] Date of Patent: **** Dec. 13, 1994**

[54] **INTERNAL COMBUSTION ENGINE**

D. 309,458 7/1990 Johnson et al. D15/1
D. 330,897 11/1992 Carlson et al. D15/1

[75] Inventors: **Isao Yoshida; Kazuo Shimizu**, both of Wako, Japan

Primary Examiner—Ralf T. Seifert
Attorney, Agent, or Firm—Schwartz & Weinrieb

[73] Assignee: **Honda Giken Kogyo Kabushiki Kaisha**, Tokyo, Japan

[57] **CLAIM**

[**] Term: **14 Years**

The ornamental design for an internal combustion engine, as shown.

[21] Appl. No.: **9,694**

DESCRIPTION

[22] Filed: **Jun. 21, 1993**

FIG. 1 is a front elevational view of an internal combustion engine constructed in accordance with the new, improved, original, and ornamental design embodying the present invention;

[52] U.S. Cl. **D15/1**

[58] Field of Search 123/50 A, 50 B, 50 R, 123/51 R, 51 A, 51 B, 65 R, 70 R, 51 BD, 65 P, 65 PD, 65 PE; D15/1-6

FIG. 2 is a rear elevational view thereof;

FIG. 3 is a right side elevational view thereof;

FIG. 4 is a left side elevational view thereof;

FIG. 5 is a top plan view thereof;

FIG. 6 is a bottom plan view thereof;

FIG. 7 is a right rear perspective view thereof; and,

FIG. 8 is a left front perspective view thereof.

[56] **References Cited**

U.S. PATENT DOCUMENTS

D. 305,432 1/1990 Hashigaki D15/1
D. 307,147 4/1990 Sasaki et al. D15/1

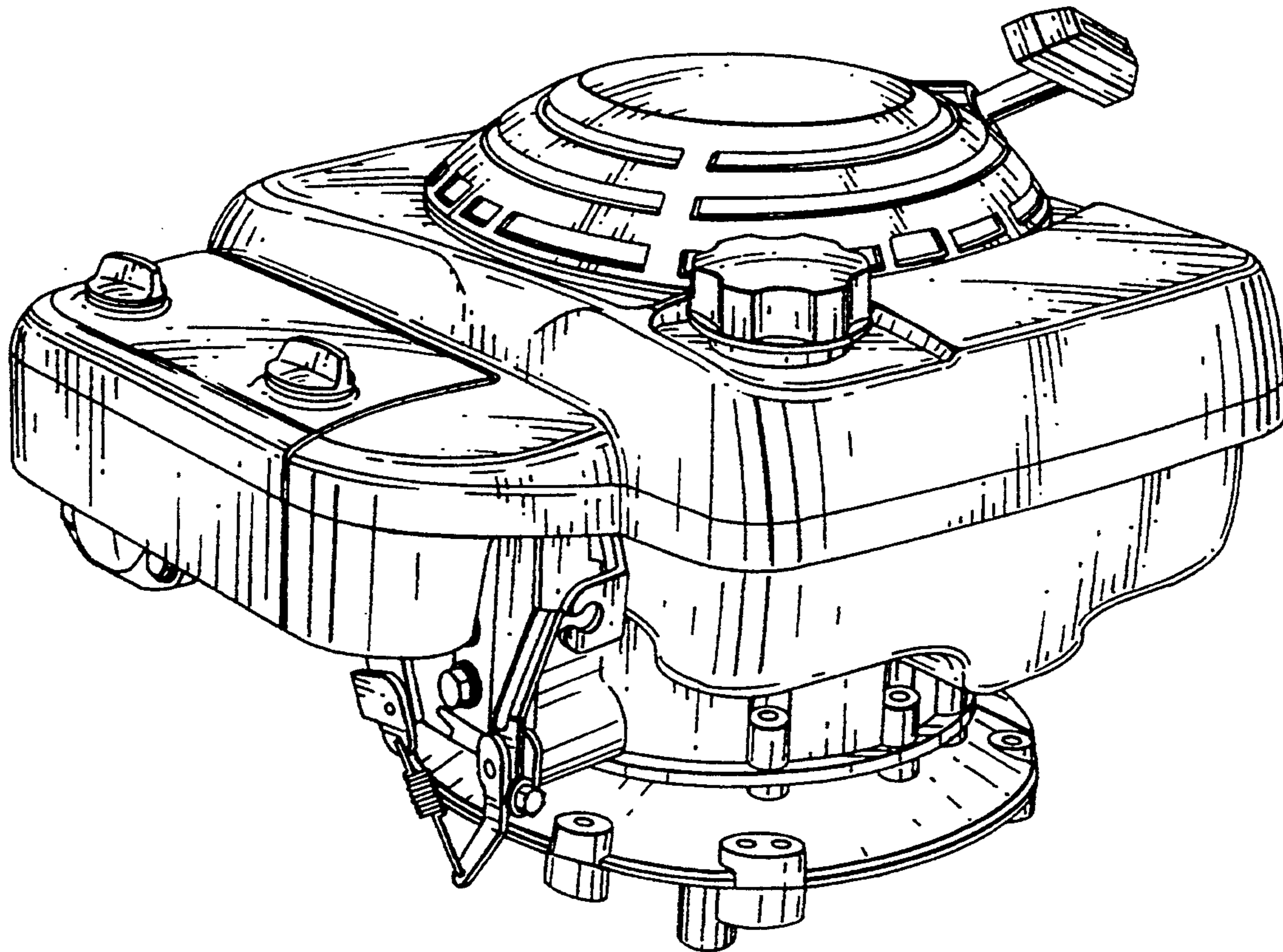


FIG. 1

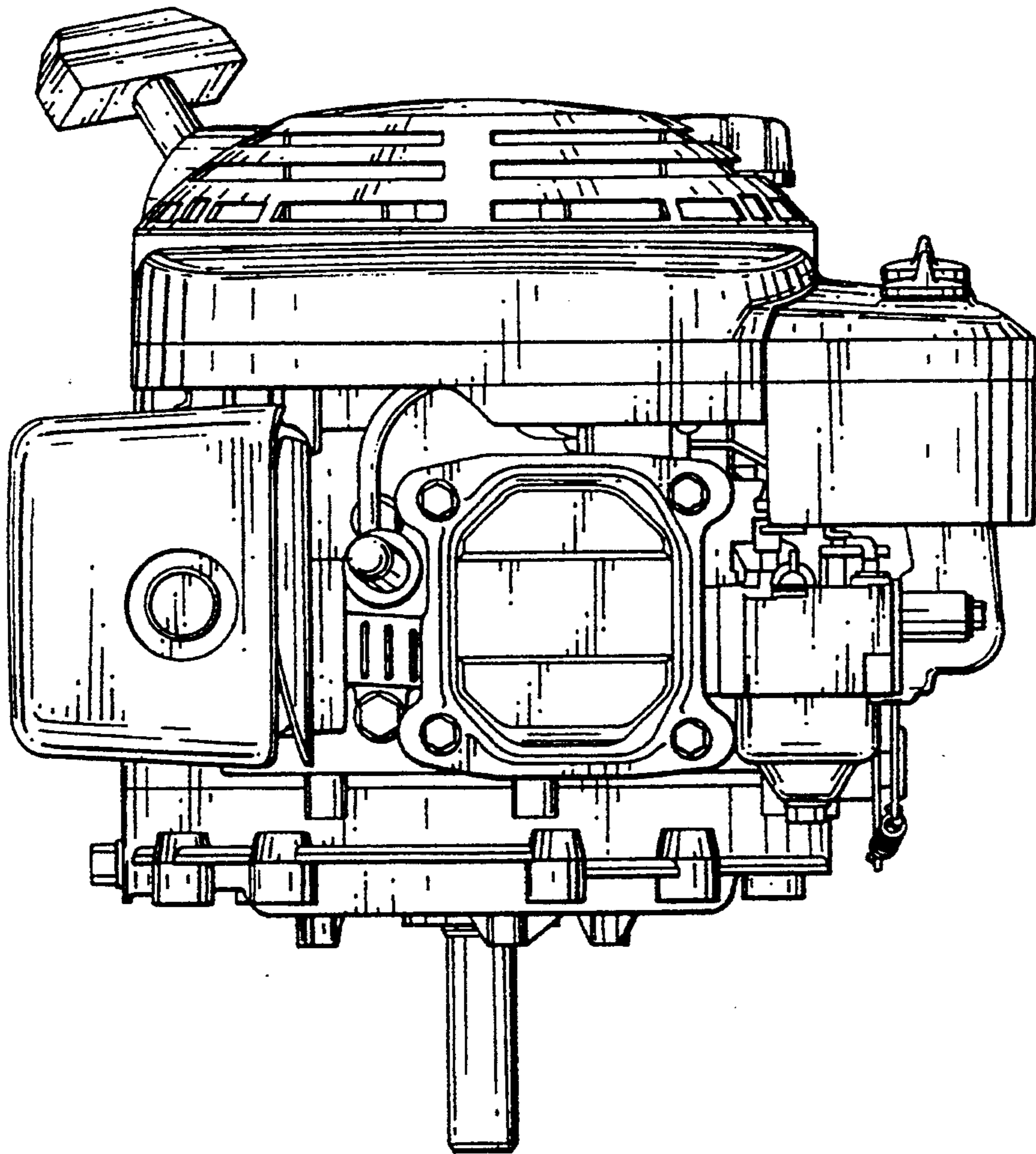


FIG. 2

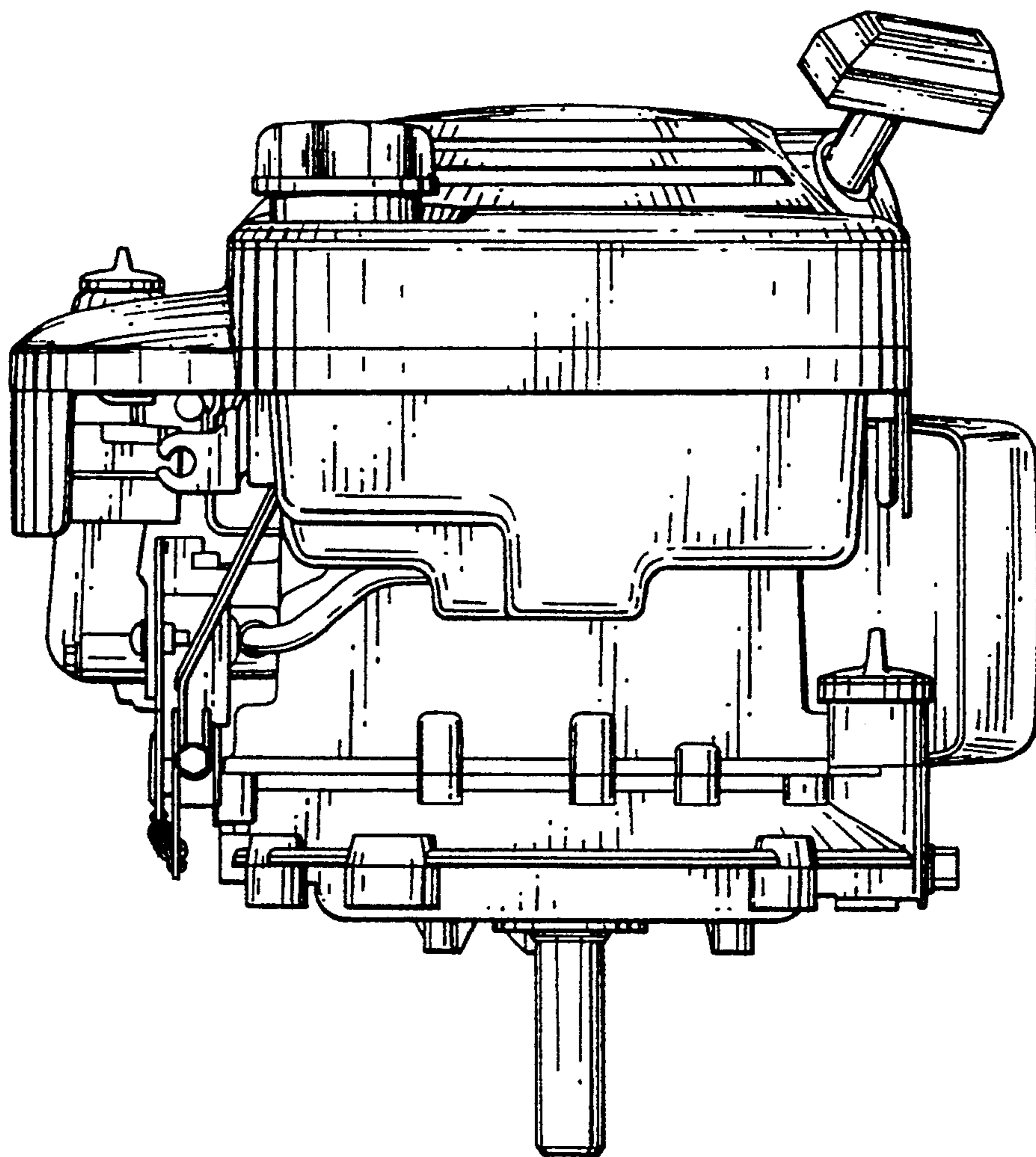
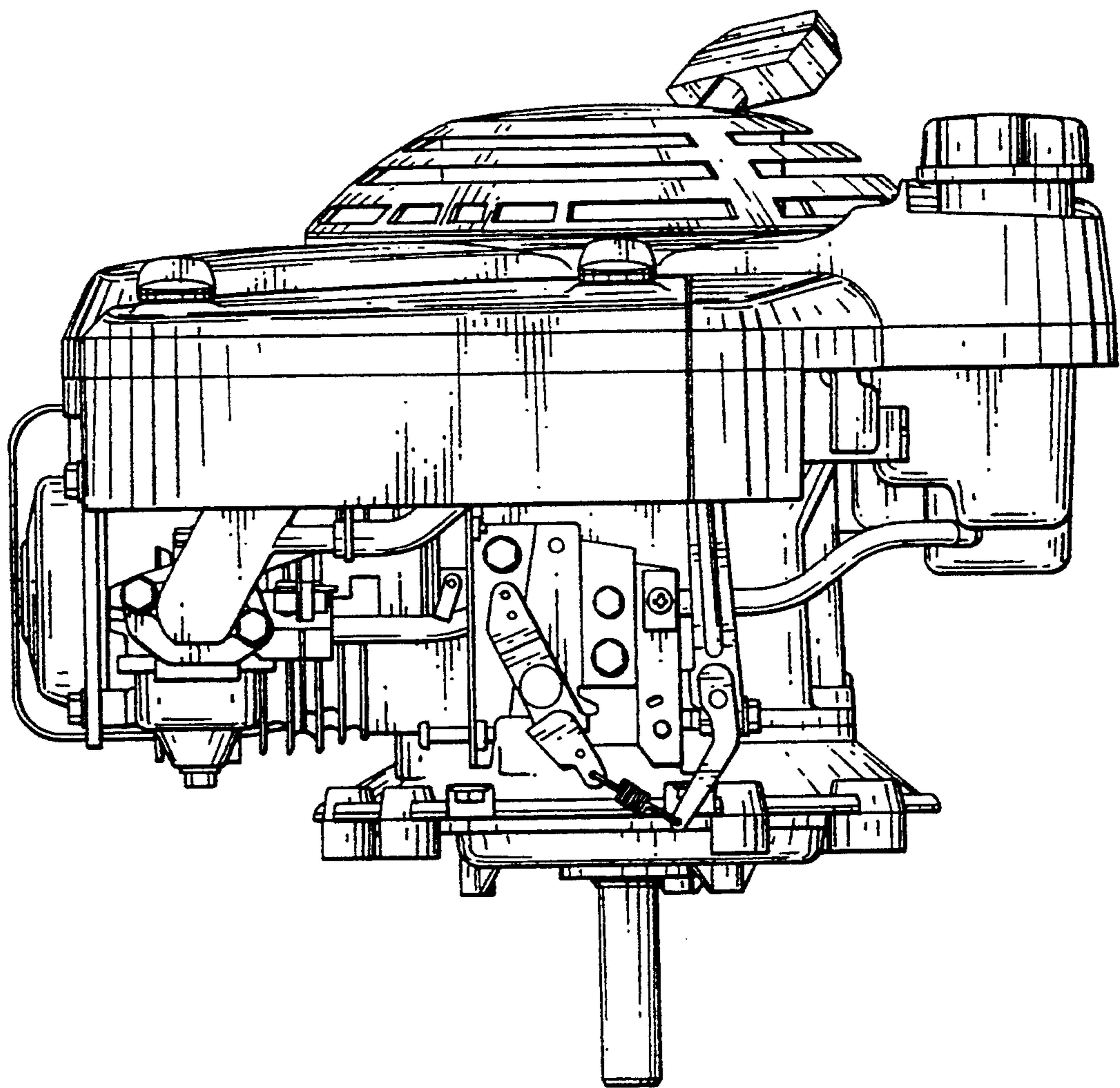


FIG. 3



F I G . 4

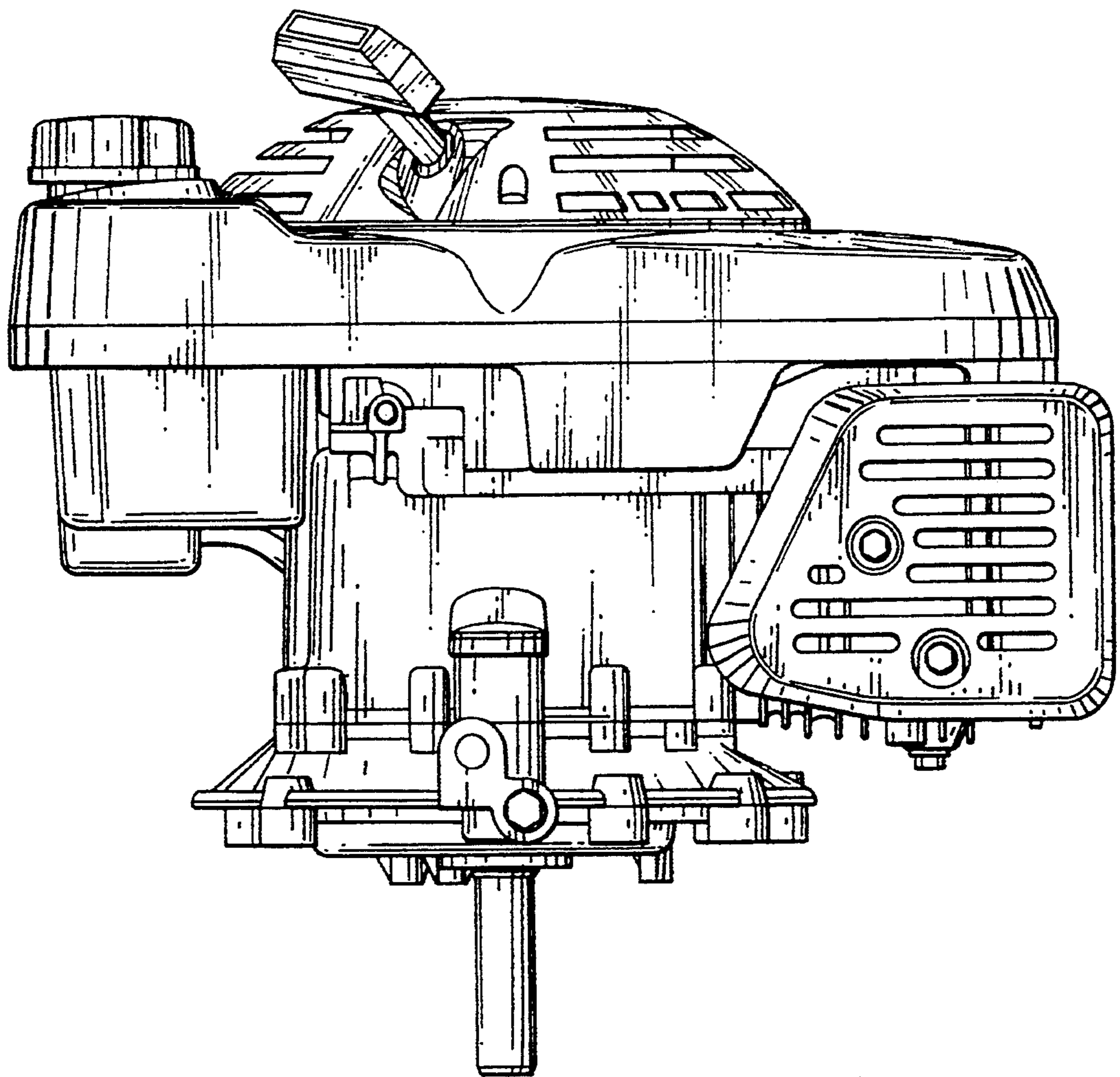


FIG. 5

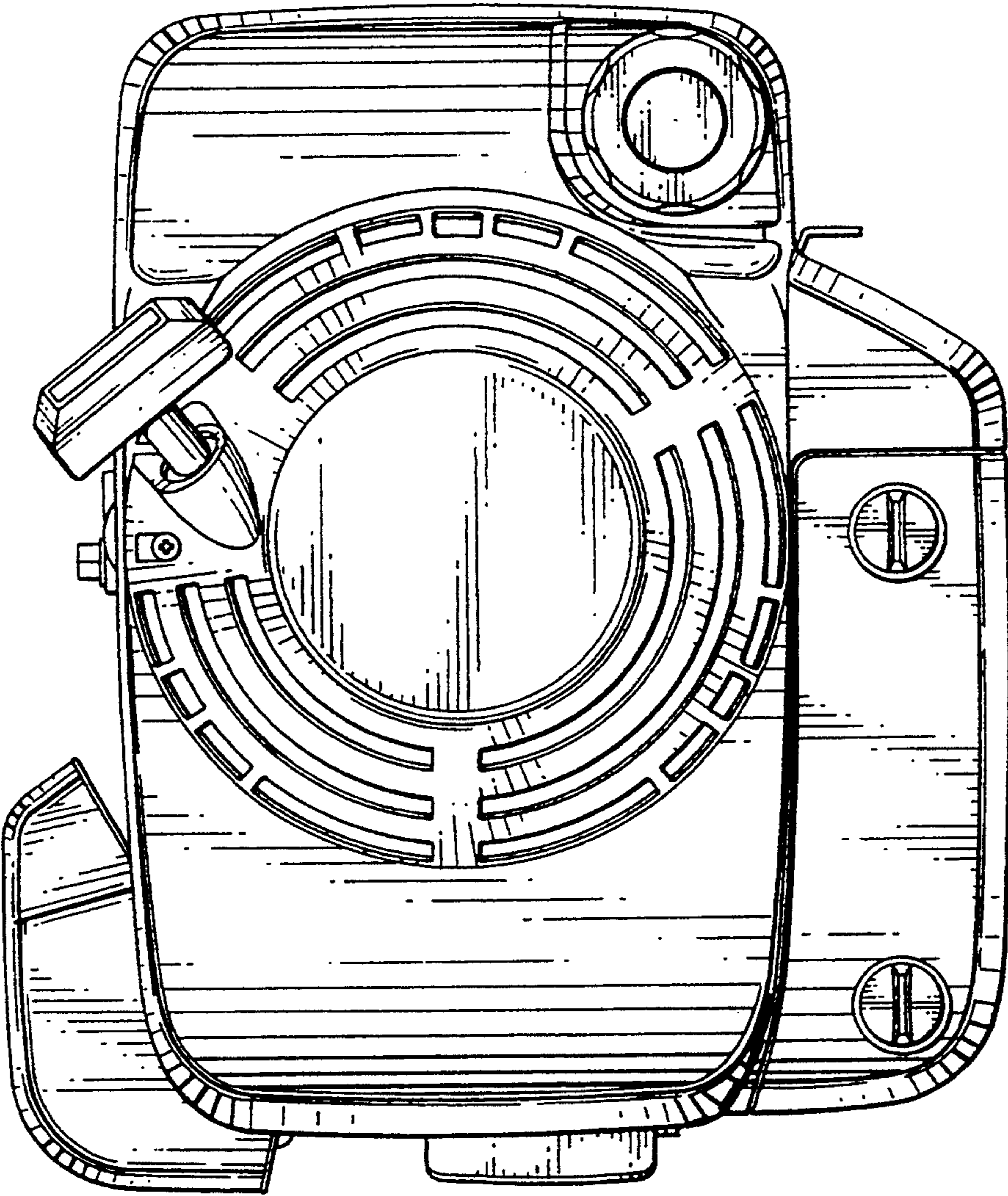


FIG. 6

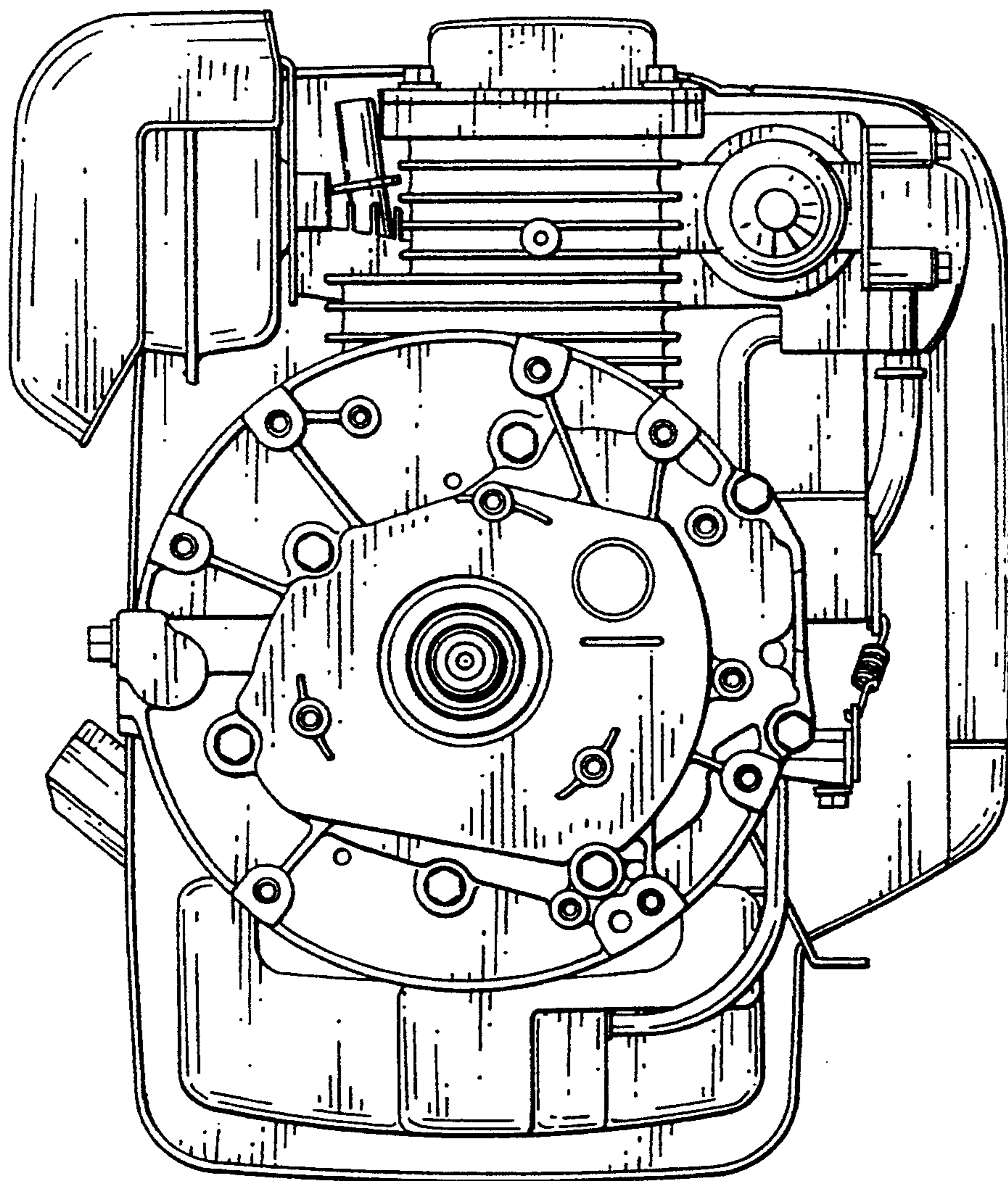


FIG. 7

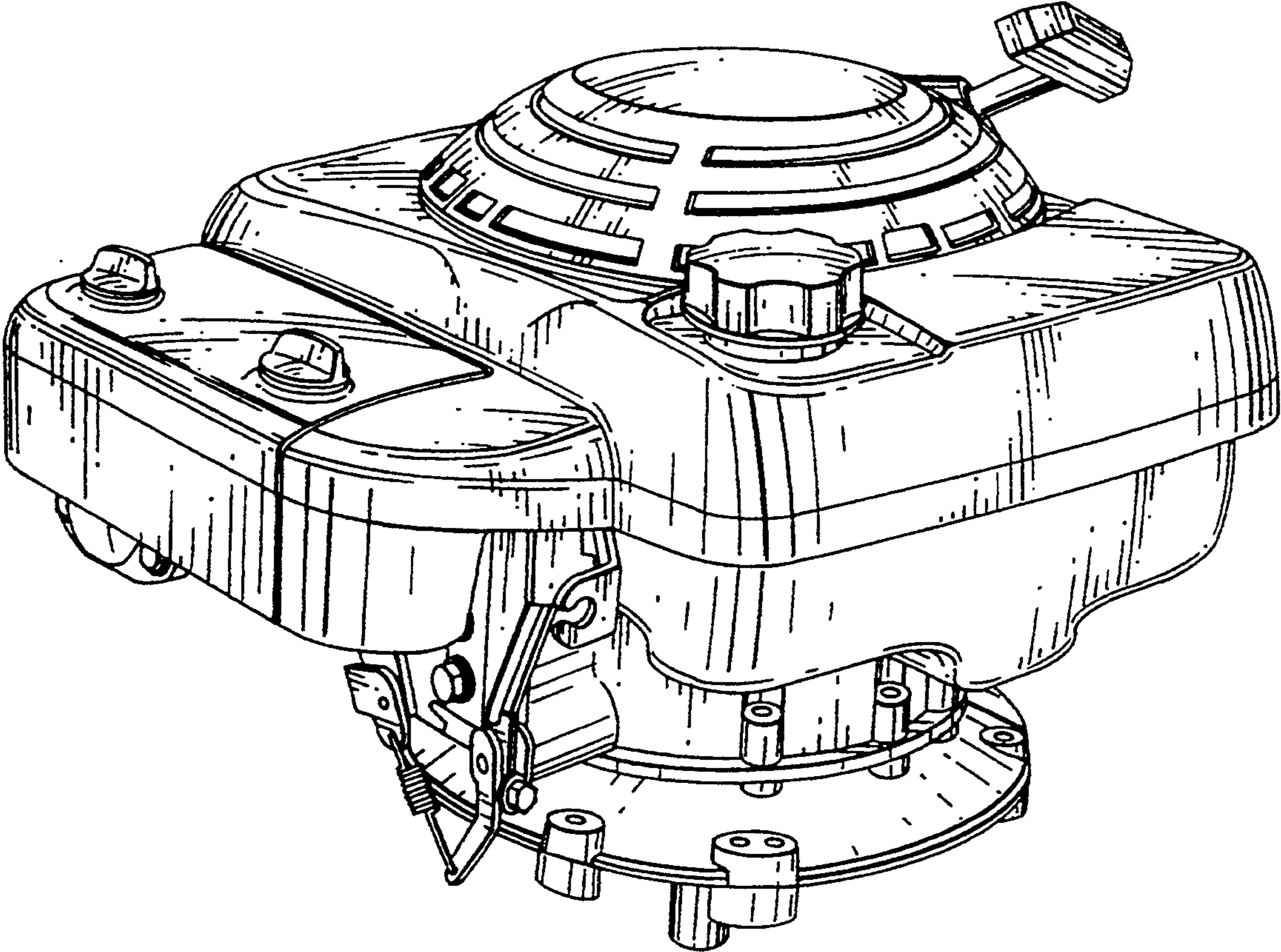


FIG. 8

