



US00D353380S

United States Patent [19]

[11] Patent Number: Des. 353,380

Baum et al.

[45] Date of Patent: ** Dec. 13, 1994

[54] TELECOMMUNICATIONS TERMINAL

[75] Inventors: Thomas M. Baum, Apex; Michael L. Jensen, Cary; George D. Summers, Jr., Raleigh; John E. Watts, Cary, all of N.C.

[73] Assignee: Raychem Corporation, Menlo Park, Calif.

[**] Term: 14 Years

[21] Appl. No.: 6,956

[22] Filed: Apr. 12, 1993

[52] U.S. Cl. D14/240

[58] Field of Search 379/412, 399, 387, 356, 379/442; D14/140, 240, 256

[56] References Cited

U.S. PATENT DOCUMENTS

D. 228,294	9/1973	Stumpf	D14/240
D. 291,081	7/1987	Mickelson et al.	D14/240
D. 304,339	10/1989	Collins et al.	D14/240
4,624,514	11/1986	Smith	379/412
4,729,059	3/1988	Wang	361/356
5,153,910	10/1992	Mickelson et al.	379/399
5,291,553	3/1994	Smith	379/387 X

Primary Examiner—Alan P. Douglas

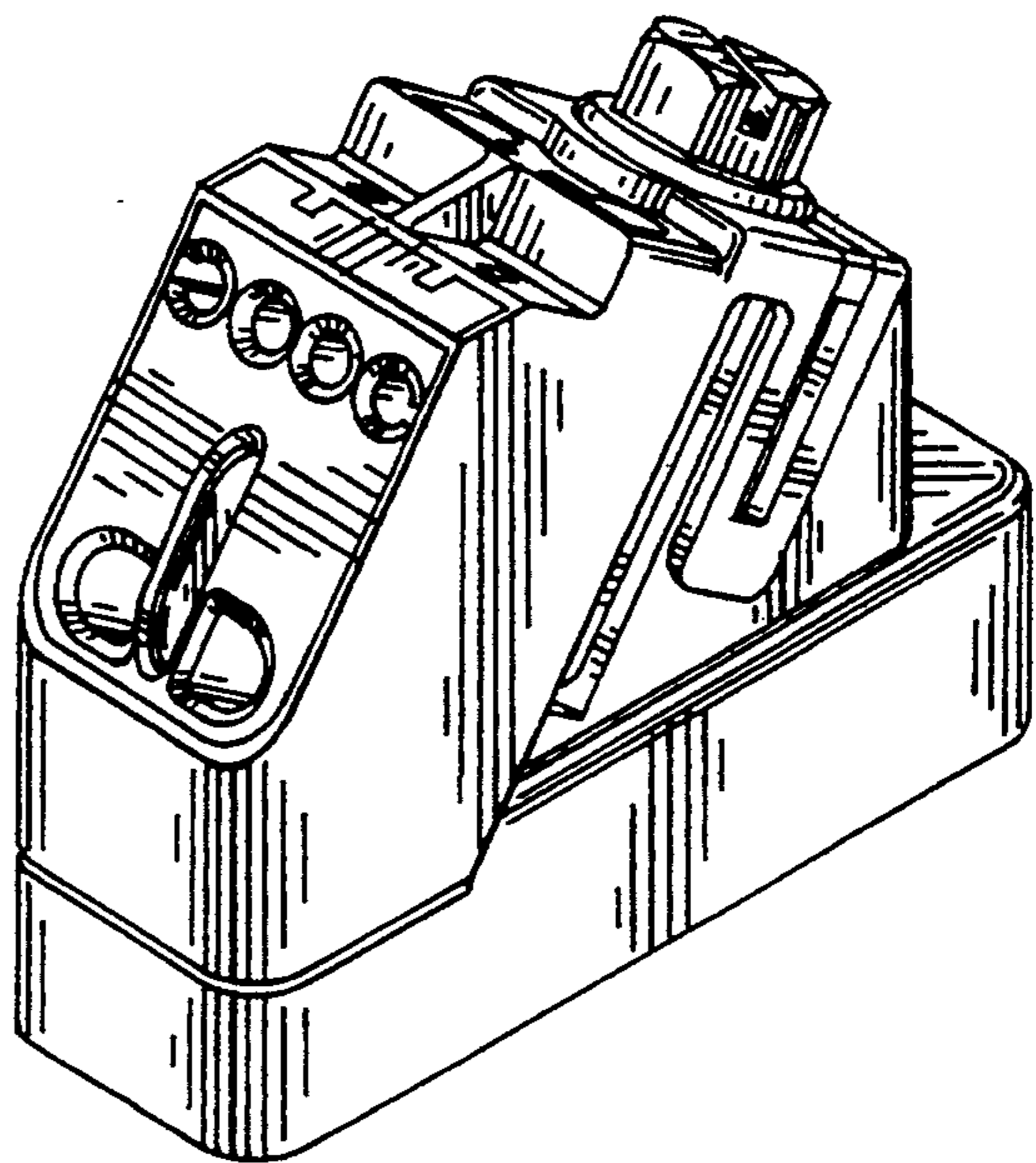
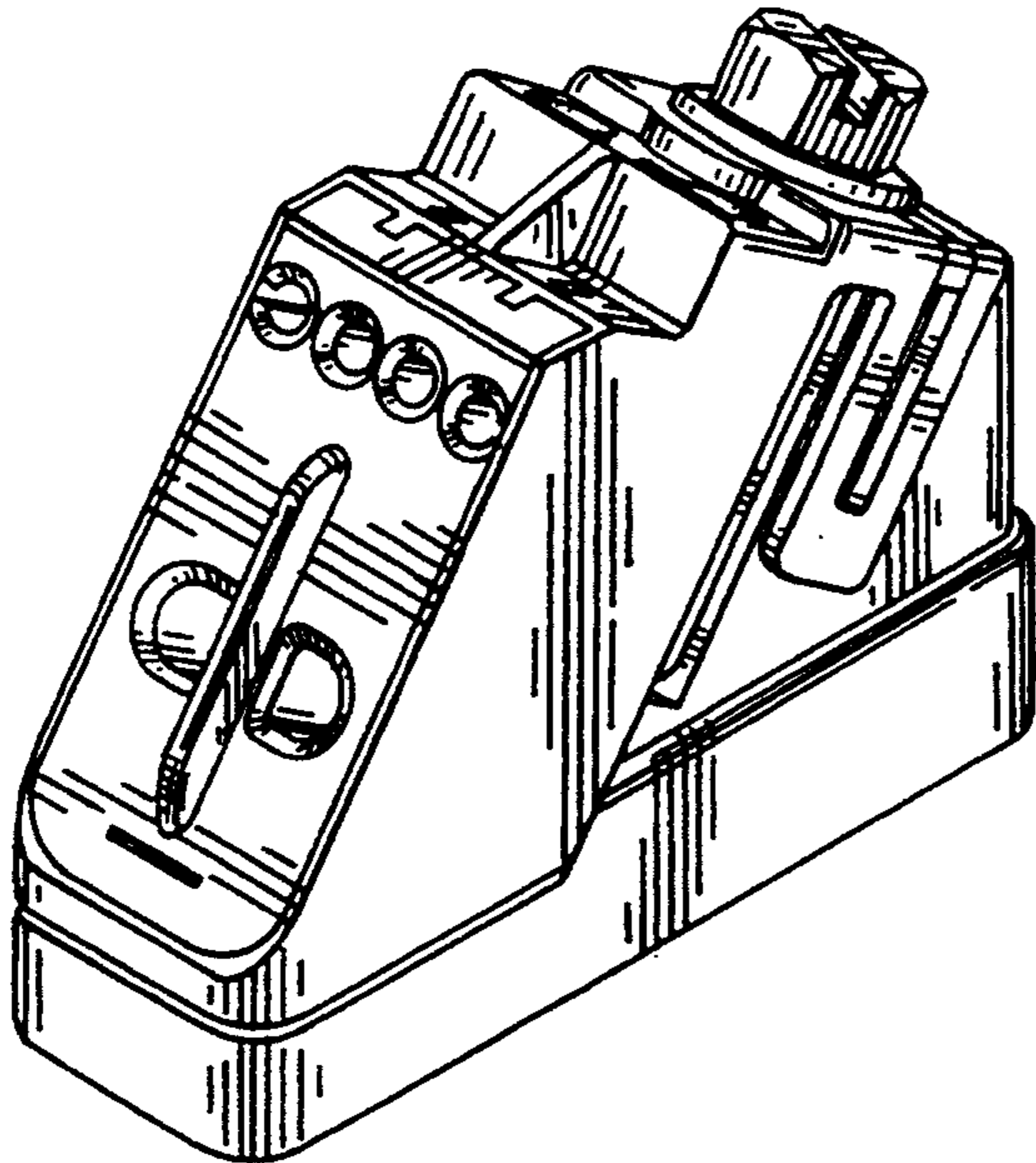
Assistant Examiner—Jeffrey Asch
Attorney, Agent, or Firm—Herbert G. Burkard; William D. Zahrt, II; A. Stephen Zavell

[57] CLAIM

The ornamental design for a telecommunications terminal, as shown and described.

DESCRIPTION

FIG. 1 is an upper front right perspective view of the telecommunications terminal showing our new design; FIG. 2 is a lower left rear perspective view thereof; FIG. 3 is a left side elevational view thereof; FIG. 4 is a front elevational view thereof; FIG. 5 is a rear elevational view thereof; FIG. 6 is a right side elevational view thereof; FIG. 7 is a top plan view thereof; FIG. 8 is a bottom plan view thereof; FIG. 9 is an upper front right perspective view of a second embodiment of our new design; FIG. 10 is a lower left rear perspective view of the embodiment shown in FIG. 9; FIG. 11 is a left side elevational view thereof; FIG. 12 is a front elevational view thereof; FIG. 13 is a rear elevational view thereof; FIG. 14 is a right side elevational view thereof; FIG. 15 is a top plan view thereof; and, FIG. 16 is a bottom plan view thereof.



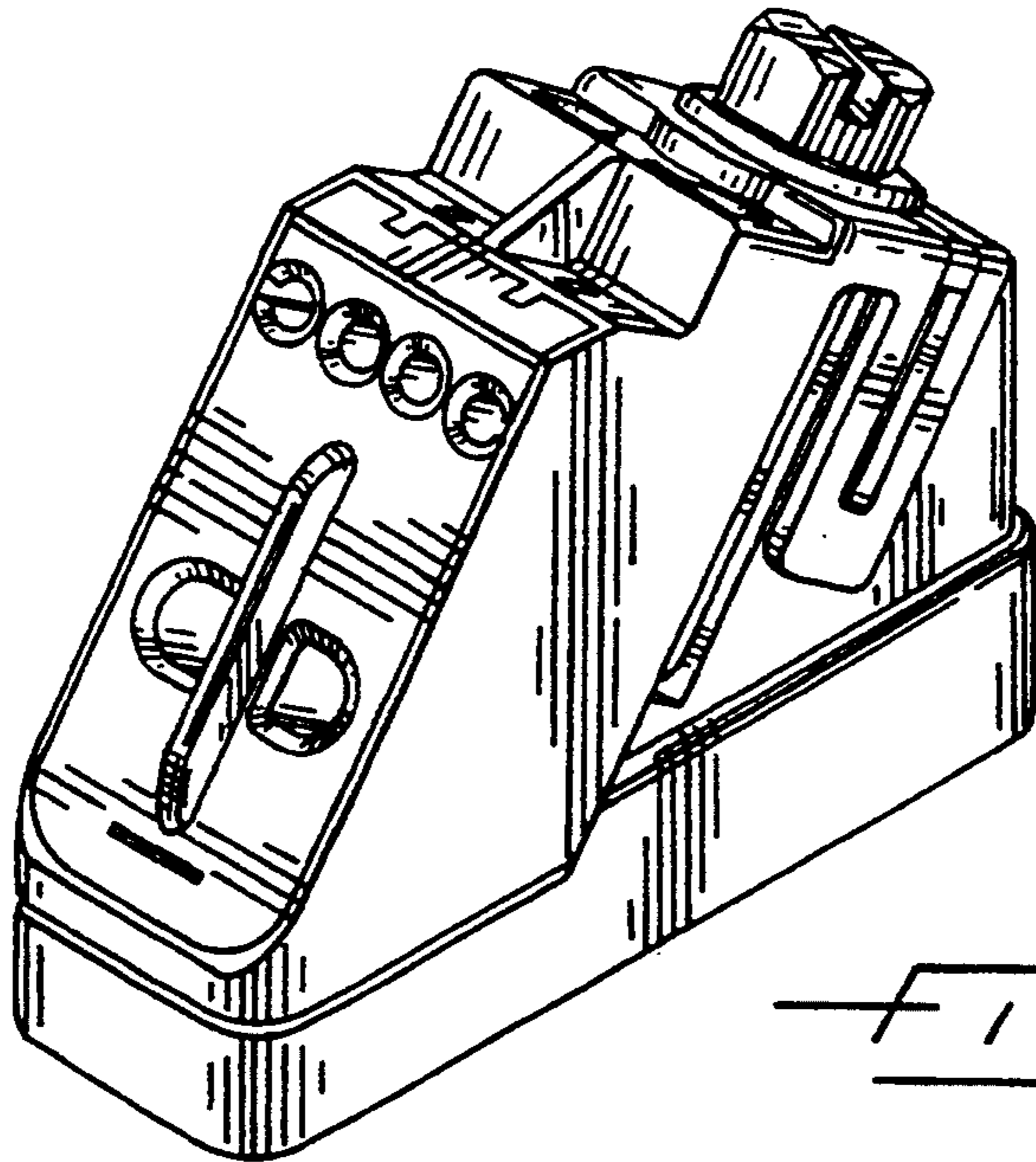


FIG. 1.

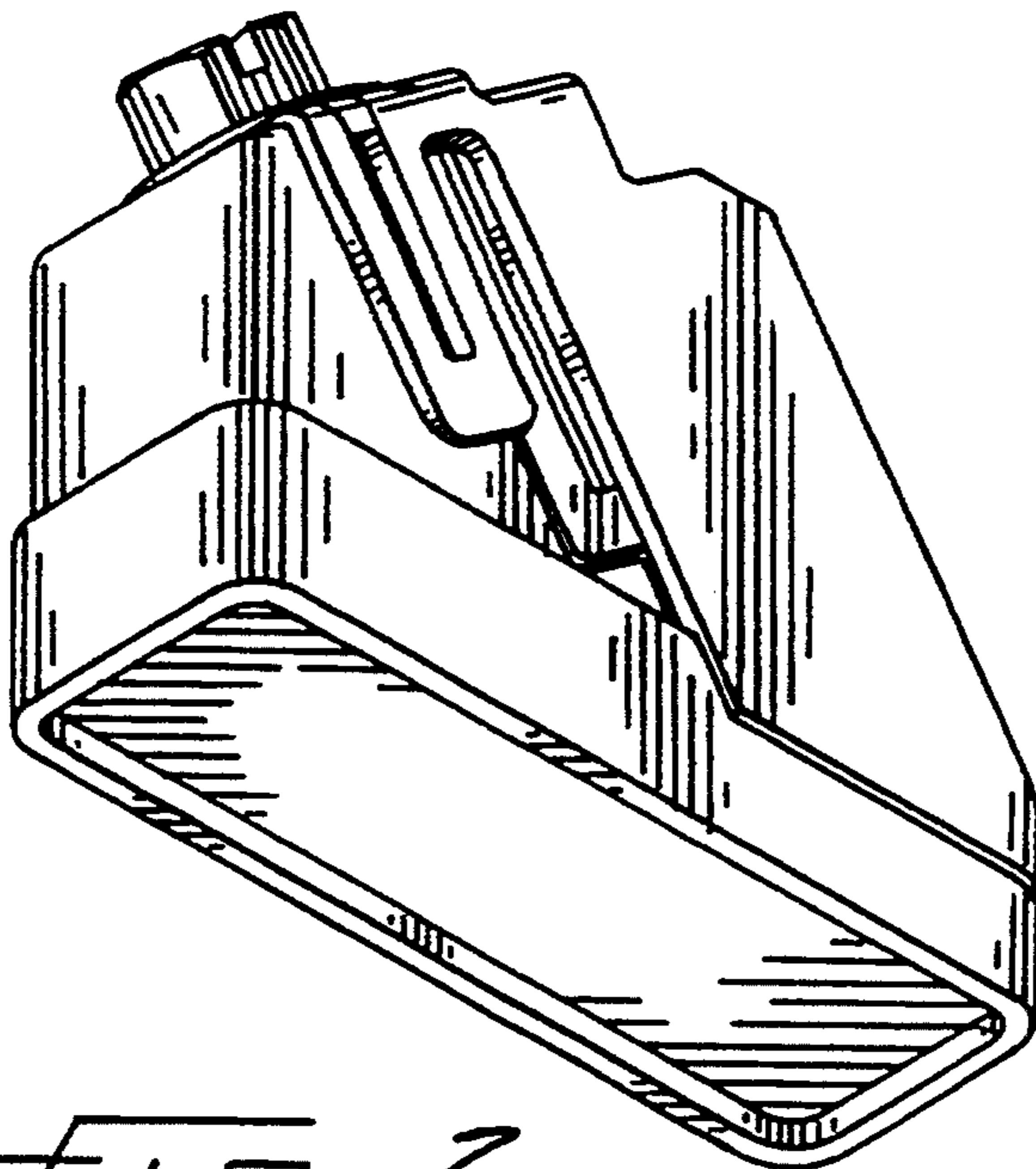


FIG. 2.

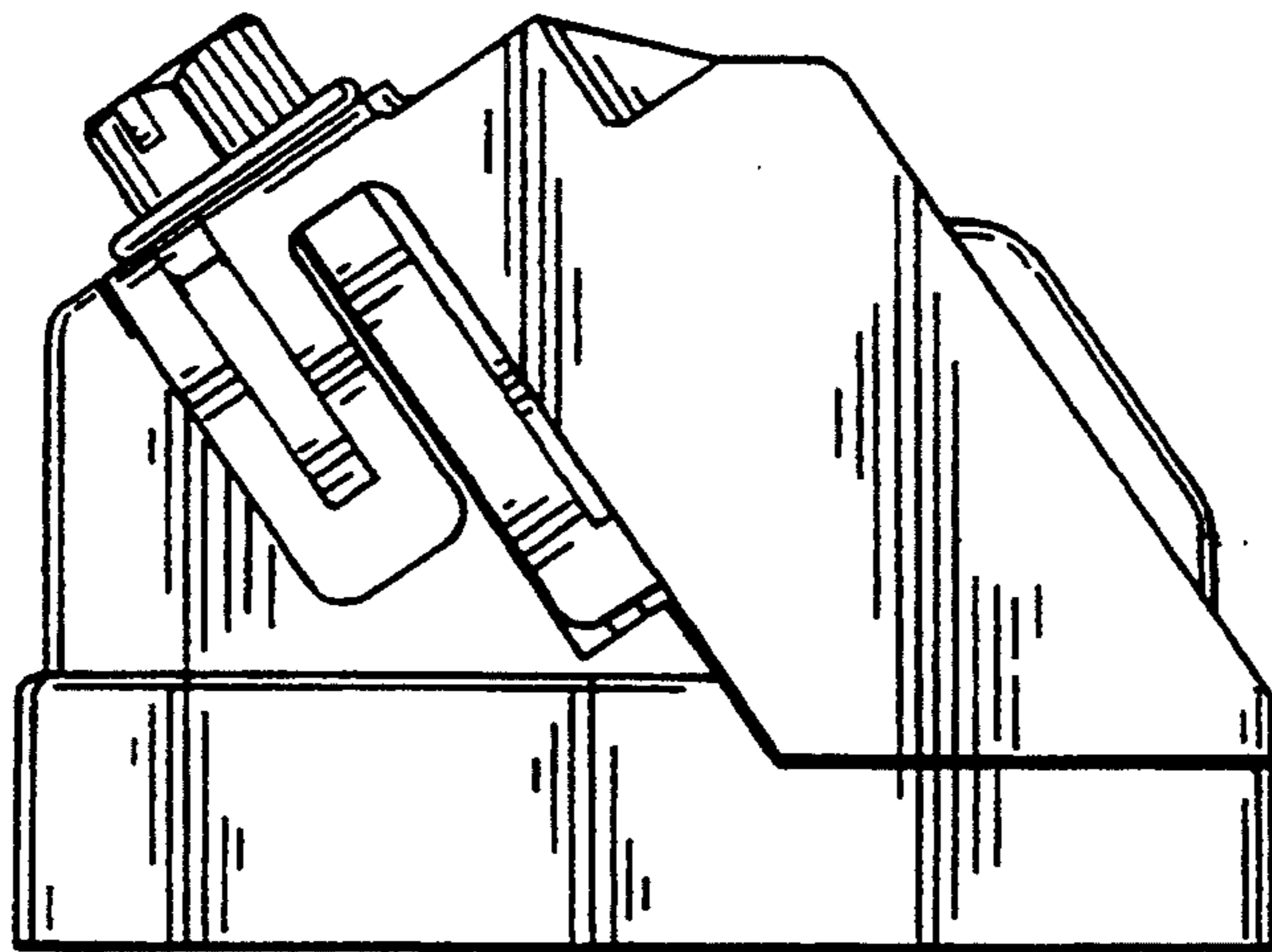


FIG. 3.

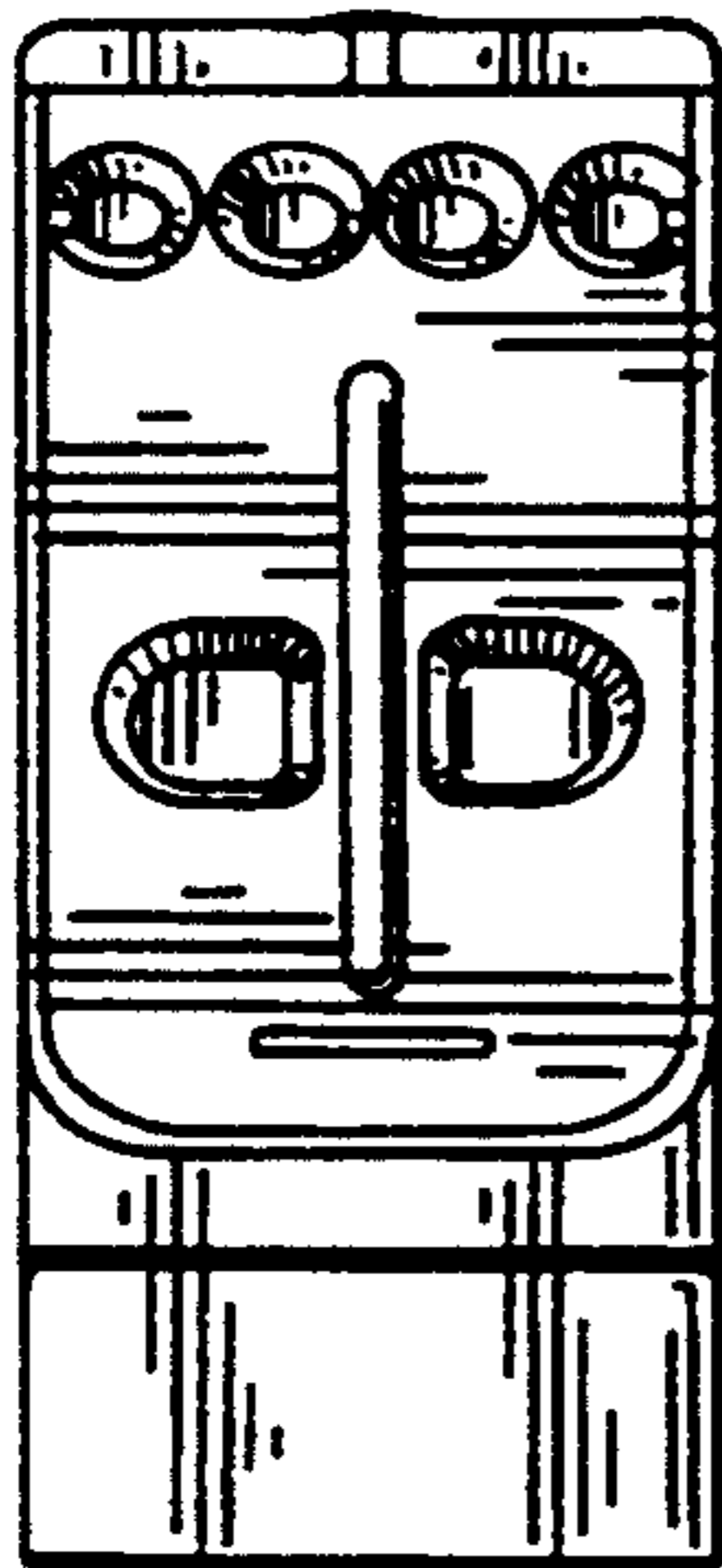


FIG. 4.

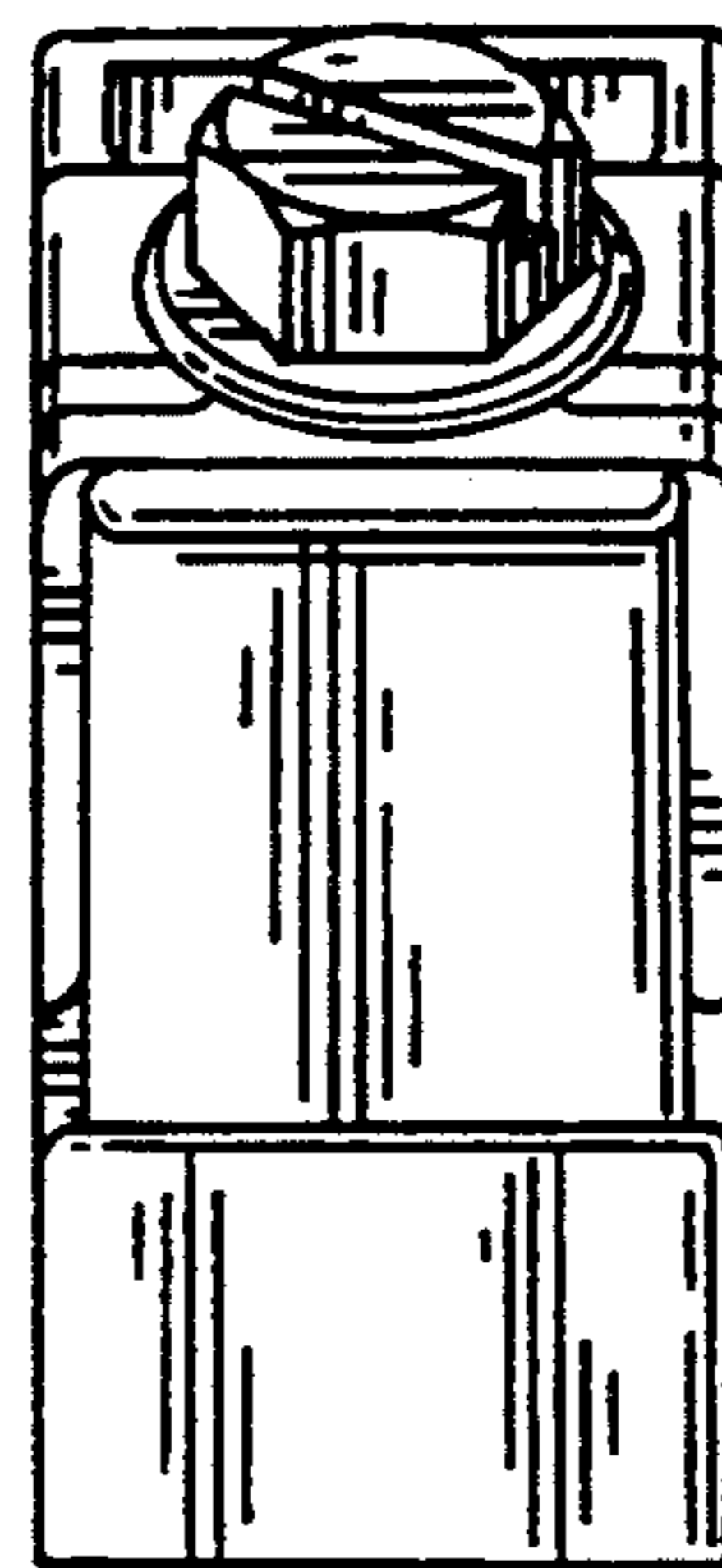


FIG. 5.

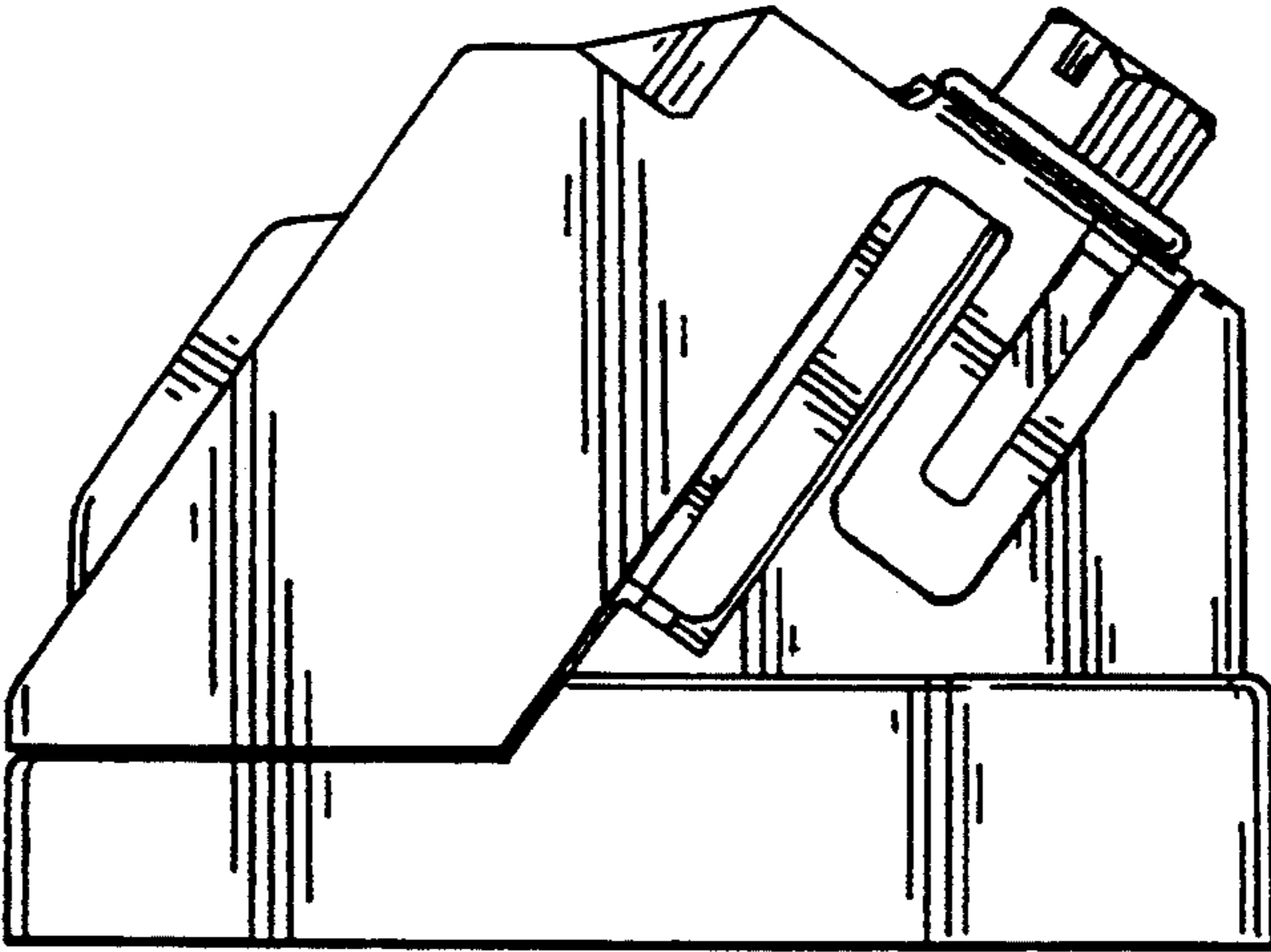


FIG. 6.

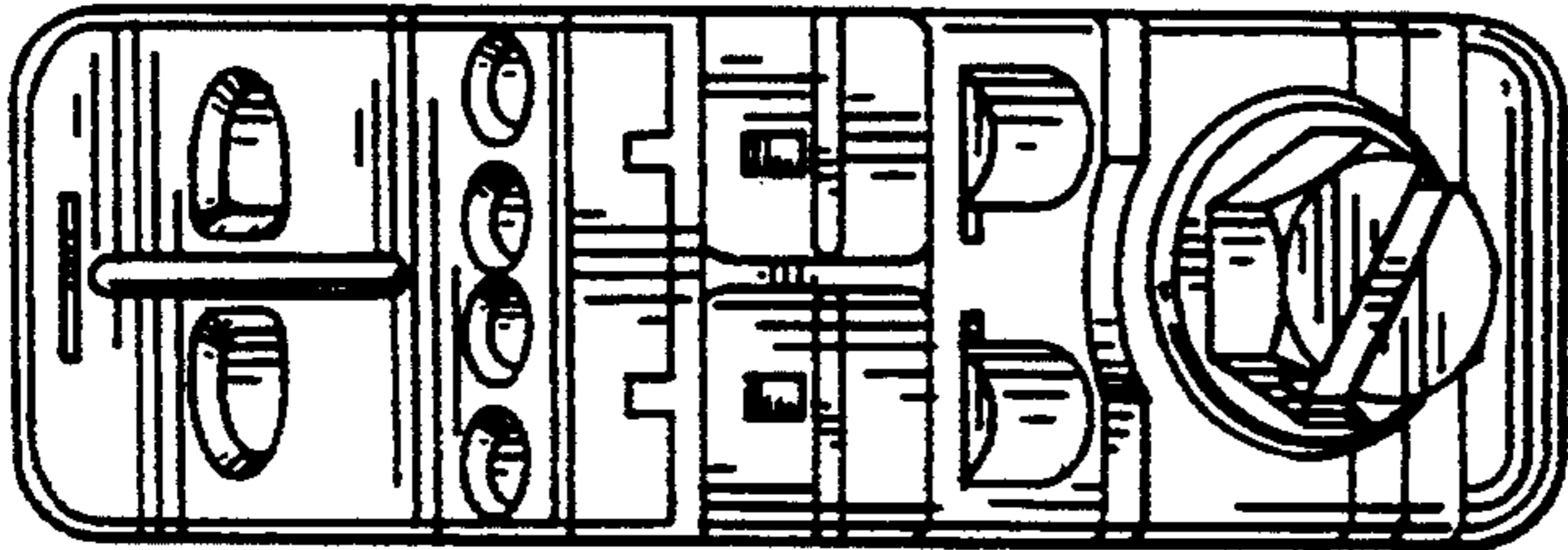


FIG. 7.

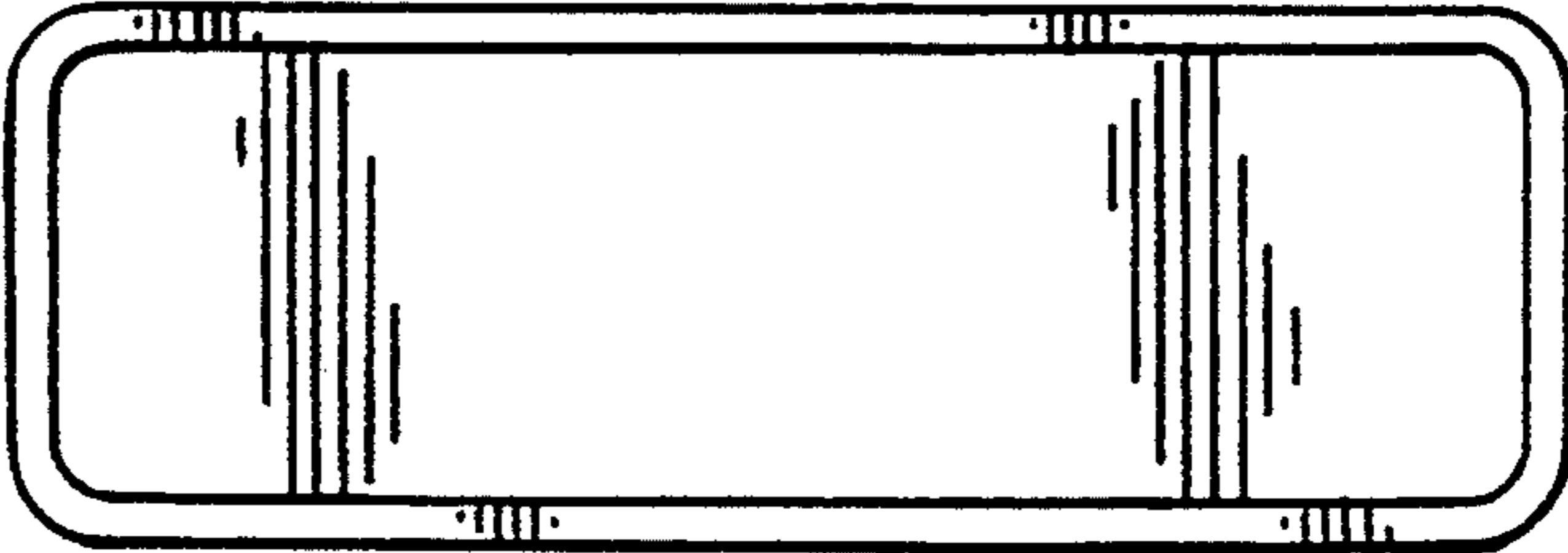
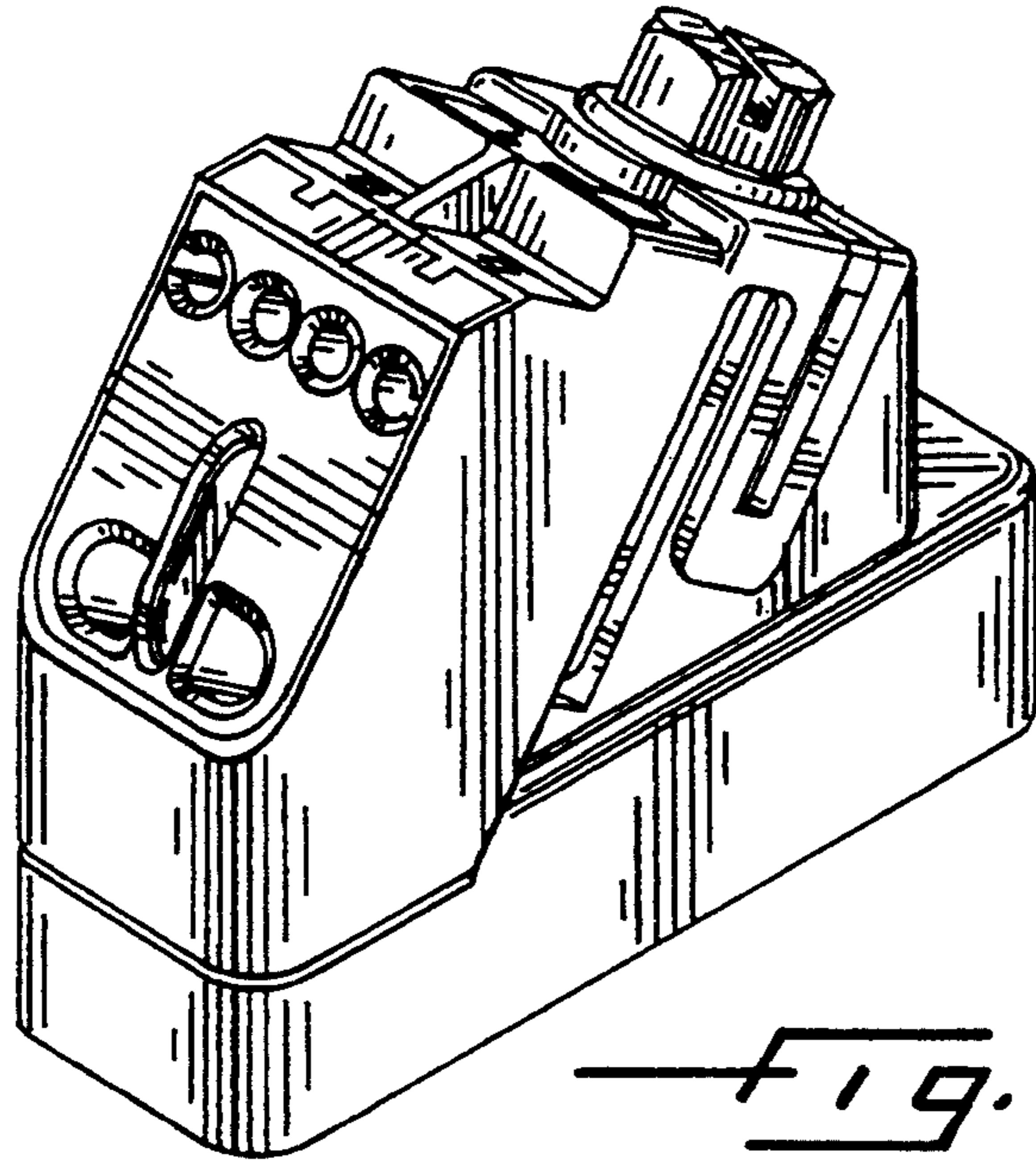
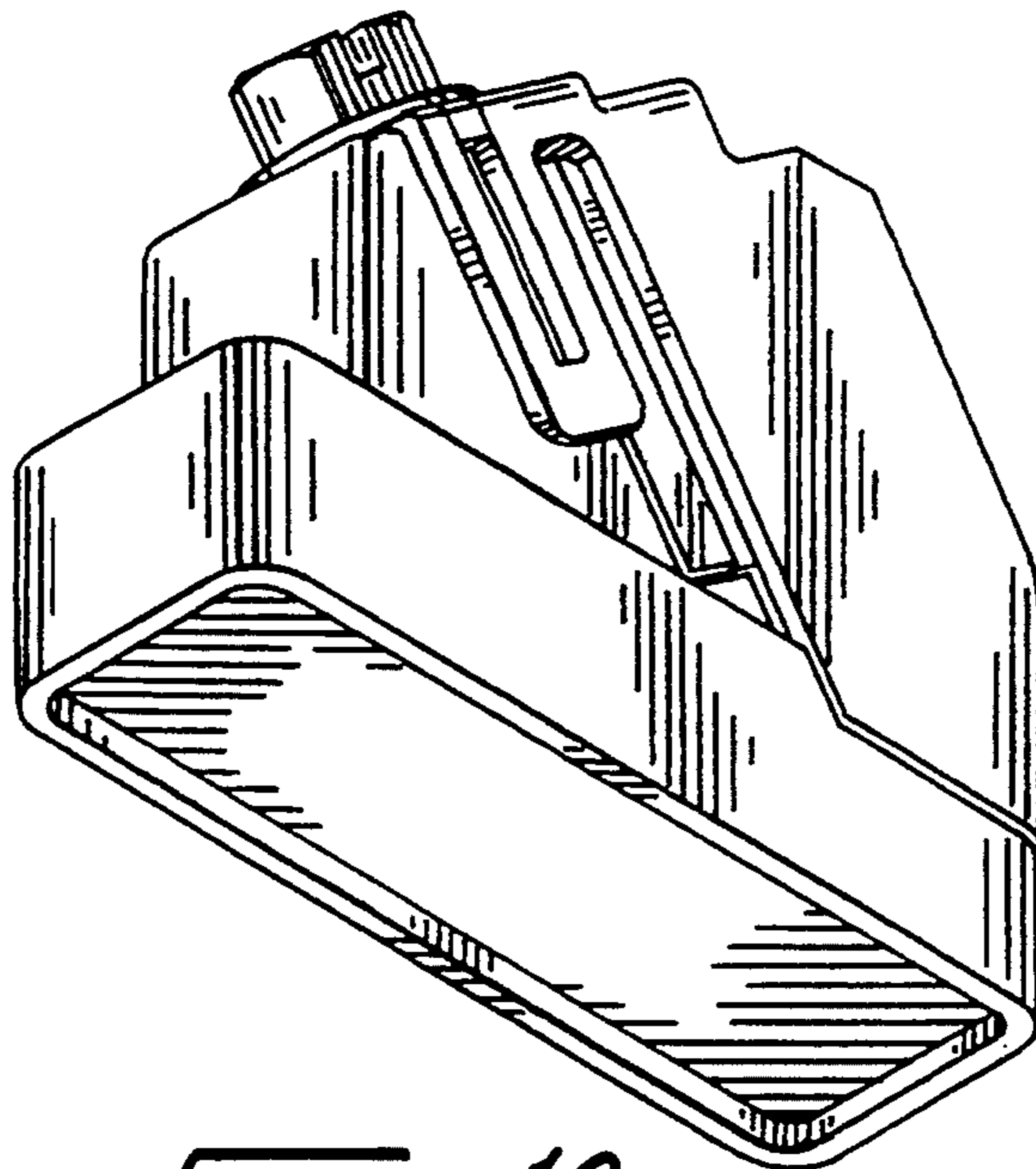


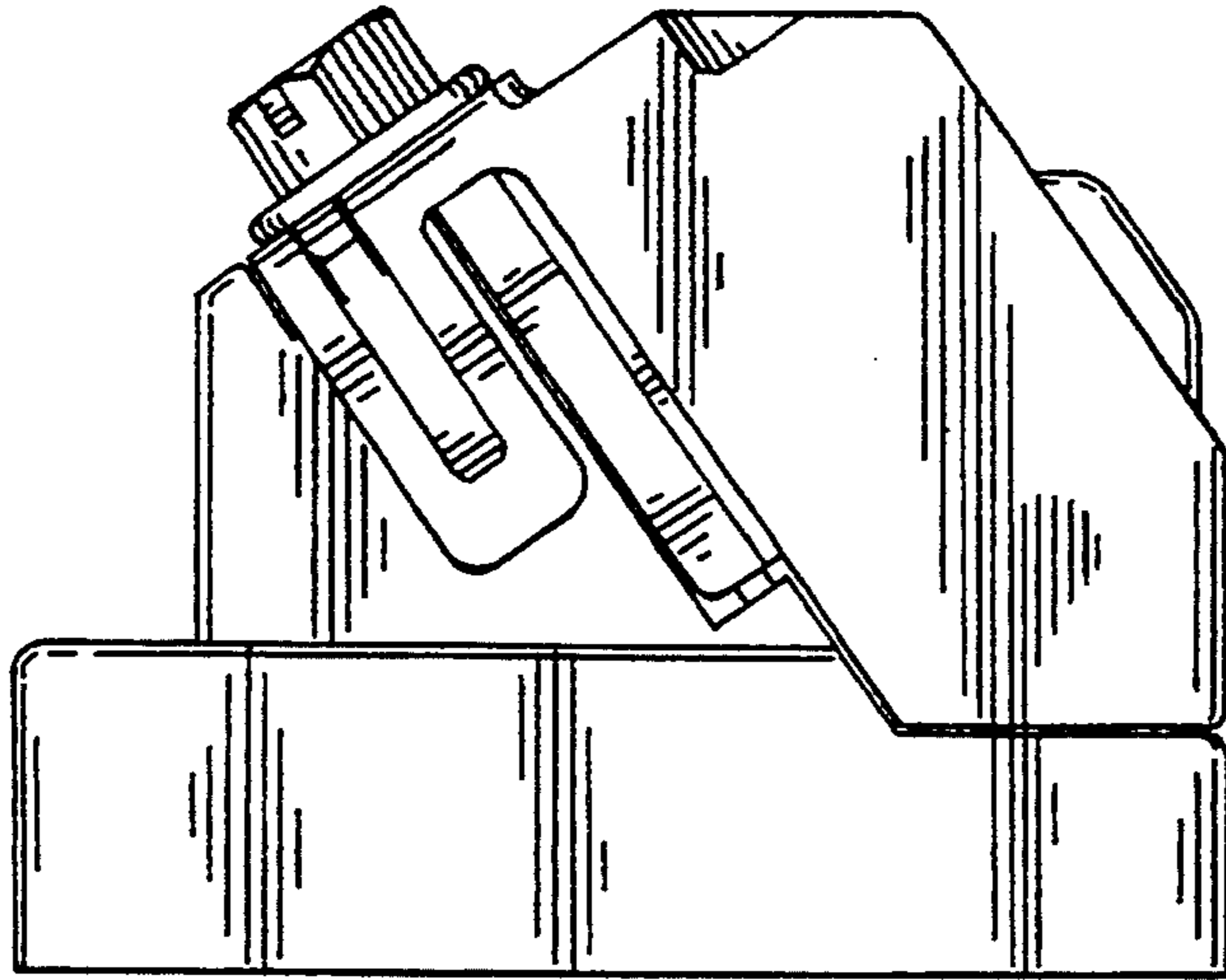
FIG. 8.



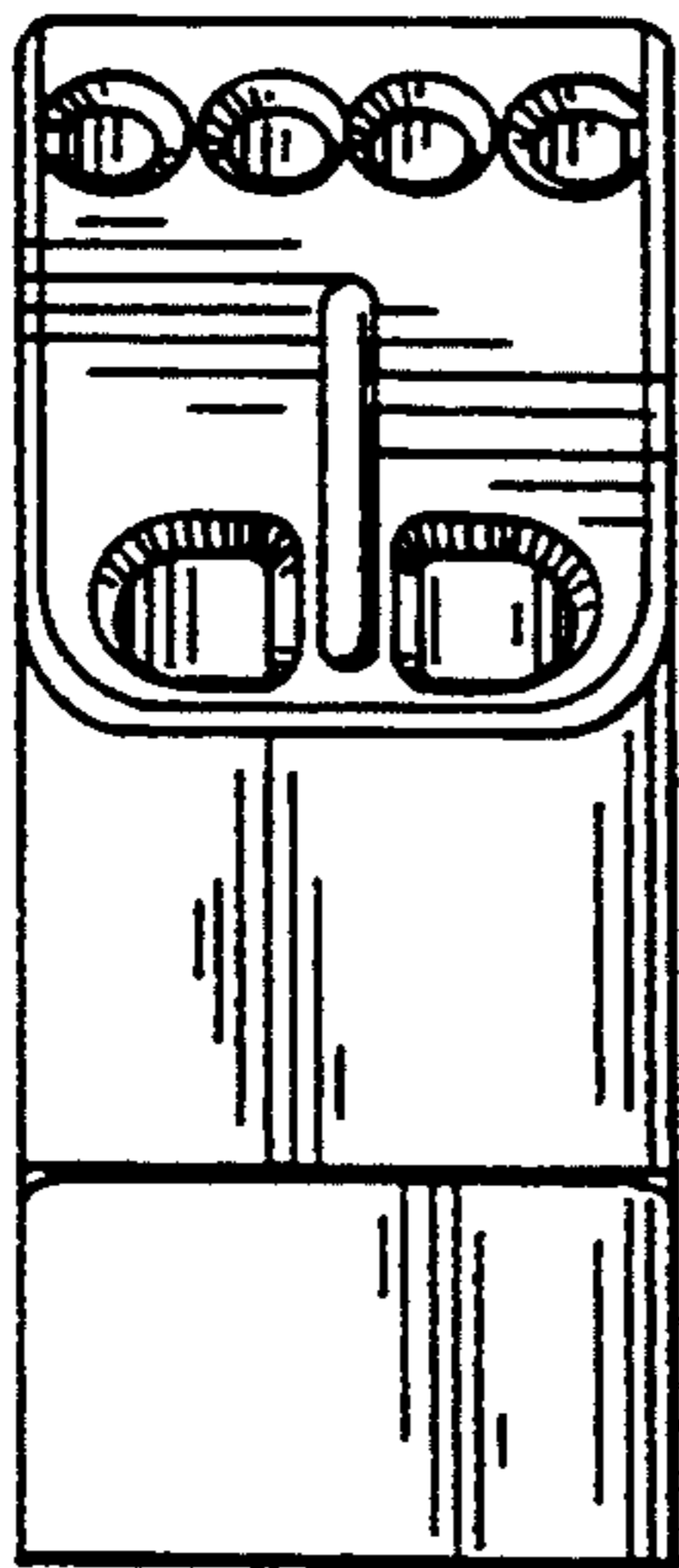
— FIG. 9.



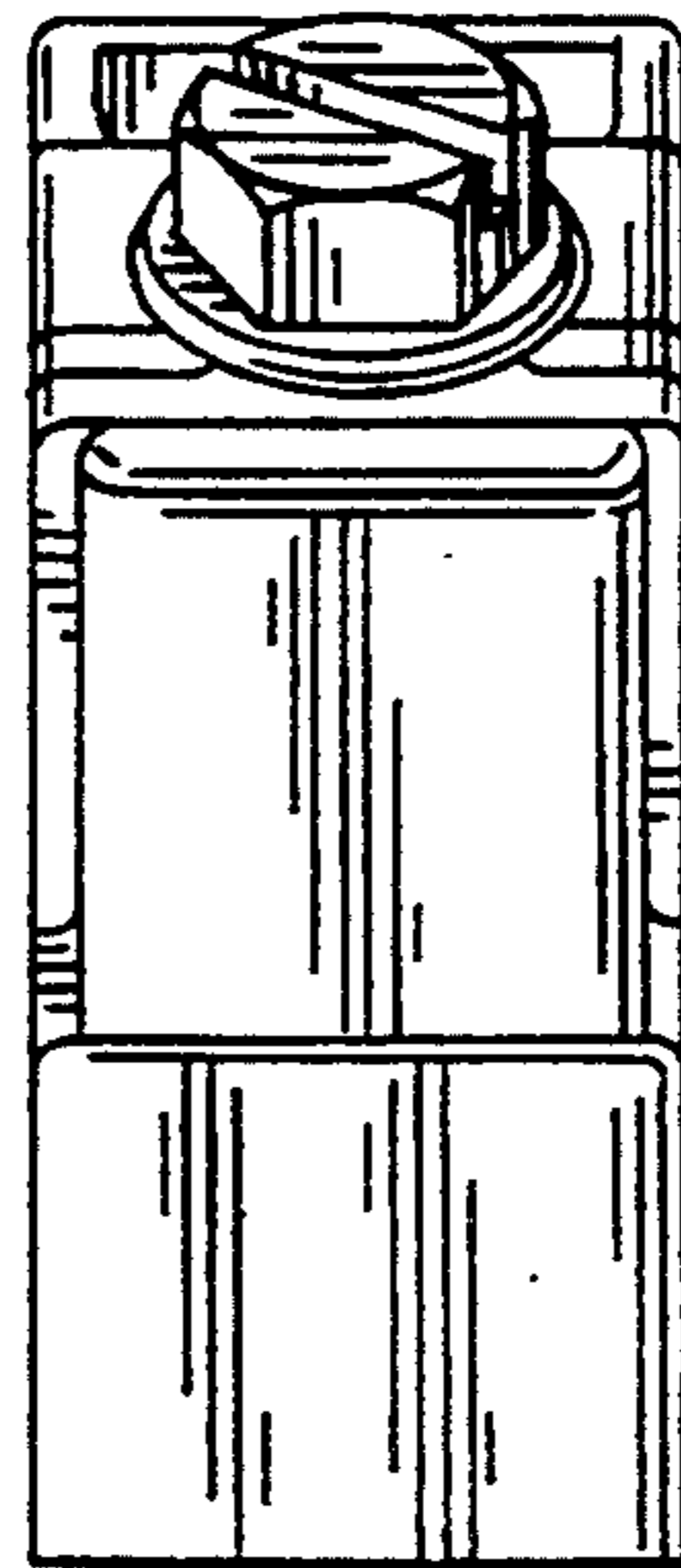
— FIG. 10.



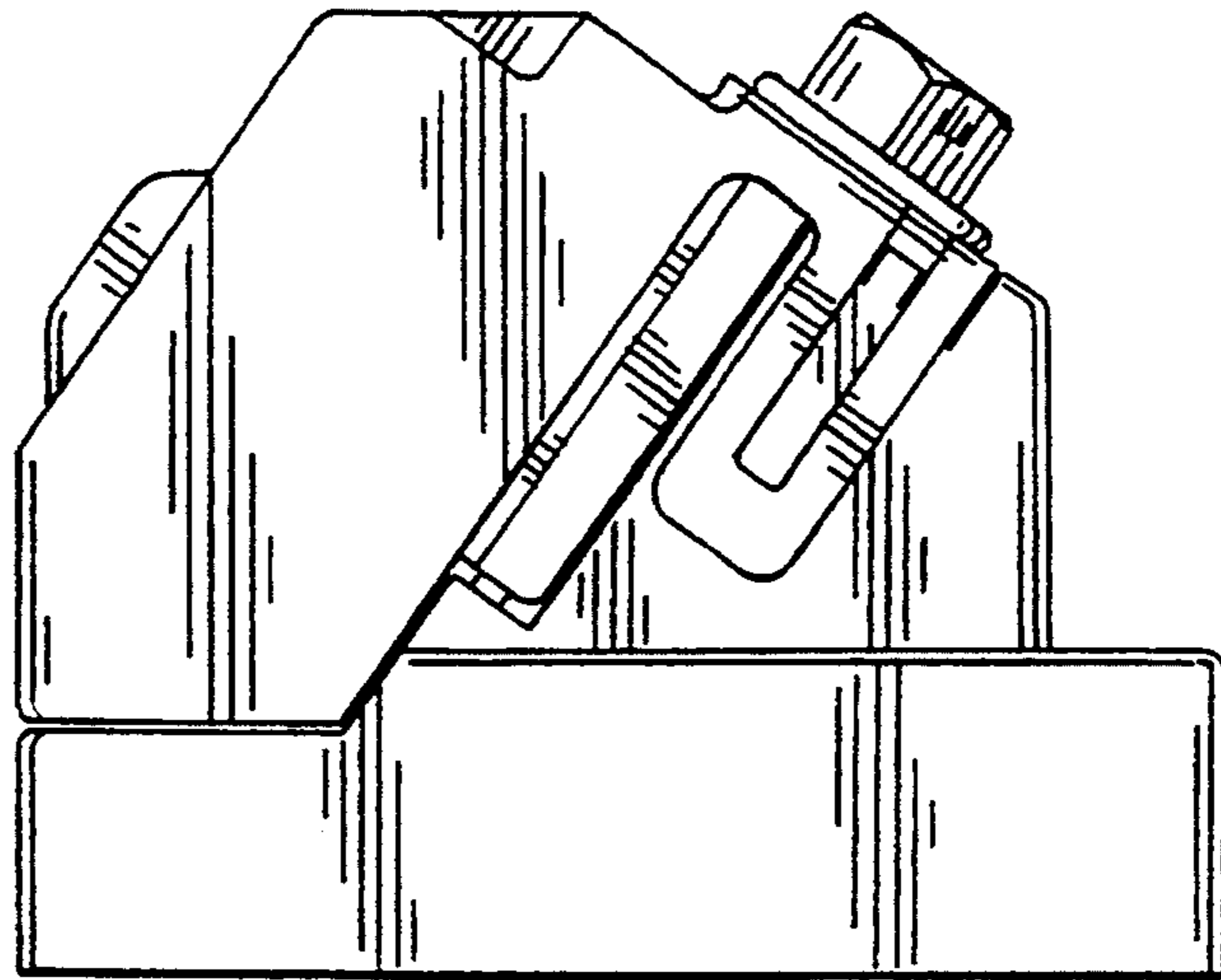
— Fig. 11.



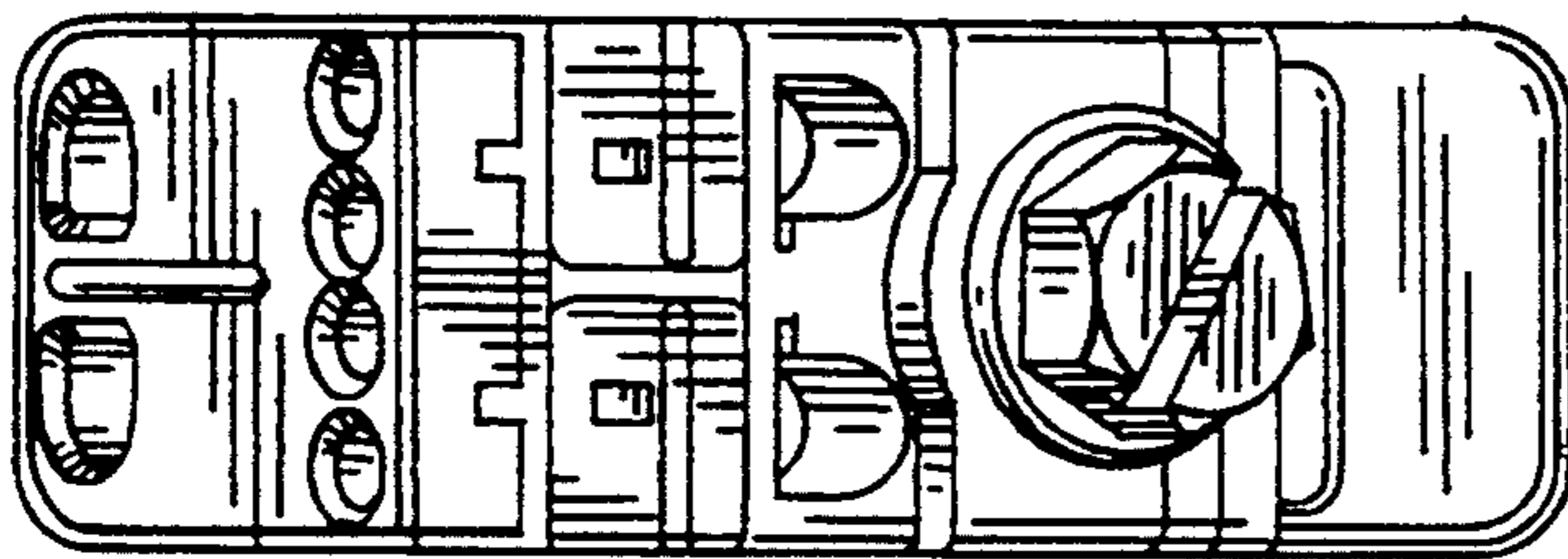
— Fig. 12.



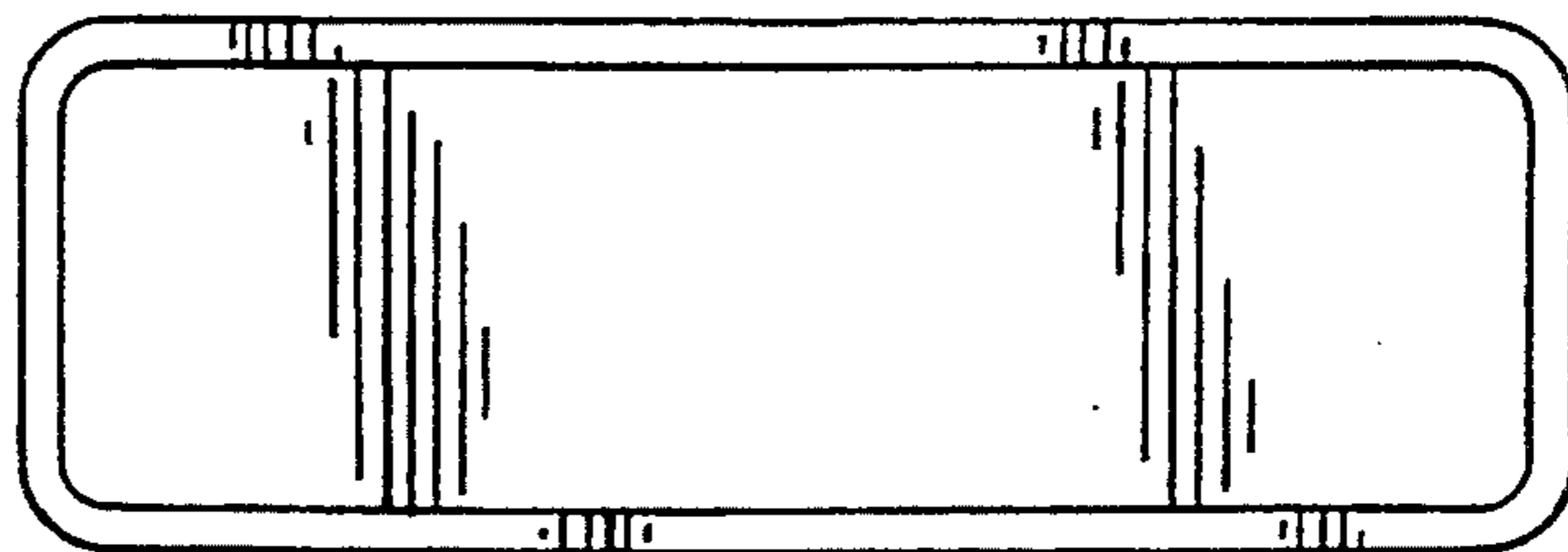
— Fig. 13.



— *Fig. 14.*



— *Fig. 15.*



— *Fig. 16.*