



US00D353375S

United States Patent [19]

[11] Patent Number: **Des. 353,375**

Marquez

[45] Date of Patent: **** Dec. 13, 1994**

[54] **COMBINED TELEPHONE HANDSET WITH CHARGING BASE STATION**

[75] Inventor: **Lacides M. Marquez, Eindhoven, Netherlands**

[73] Assignee: **U.S. Philips Corporation, New York, N.Y.**

[**] Term: **14 Years**

[21] Appl. No.: **11,971**

[22] Filed: **Aug. 18, 1993**

[30] **Foreign Application Priority Data**

Mar. 22, 1993 [WO] WIPO DM/025594

[52] U.S. Cl. **D14/149; D13/108; D14/148**

[58] **Field of Search** 379/58-61, 379/419, 420, 428, 440, 433-436; 439/357, 298, 660, 929; D14/140, 142, 149-151, 147, 148, 137, 138, 240, 241; D13/108

[56] **References Cited**

U.S. PATENT DOCUMENTS

- D. 238,374 1/1976 Davis et al. D14/142
- D. 257,977 1/1981 Blomberg D14/148
- D. 291,801 9/1987 Suzuki et al. D14/138
- D. 303,383 9/1989 Reichenstein D14/149 X
- D. 305,652 1/1990 Tejima D14/138

- D. 313,800 1/1991 Appleby D14/151
- D. 323,164 1/1992 Myoga D14/143 X
- D. 343,841 2/1994 Hon et al. D13/108 X
- 3,183,891 5/1965 MacDonald D13/108 X
- 4,543,451 9/1985 Schoen 379/434 X

FOREIGN PATENT DOCUMENTS

1215958 12/1970 United Kingdom 379/434

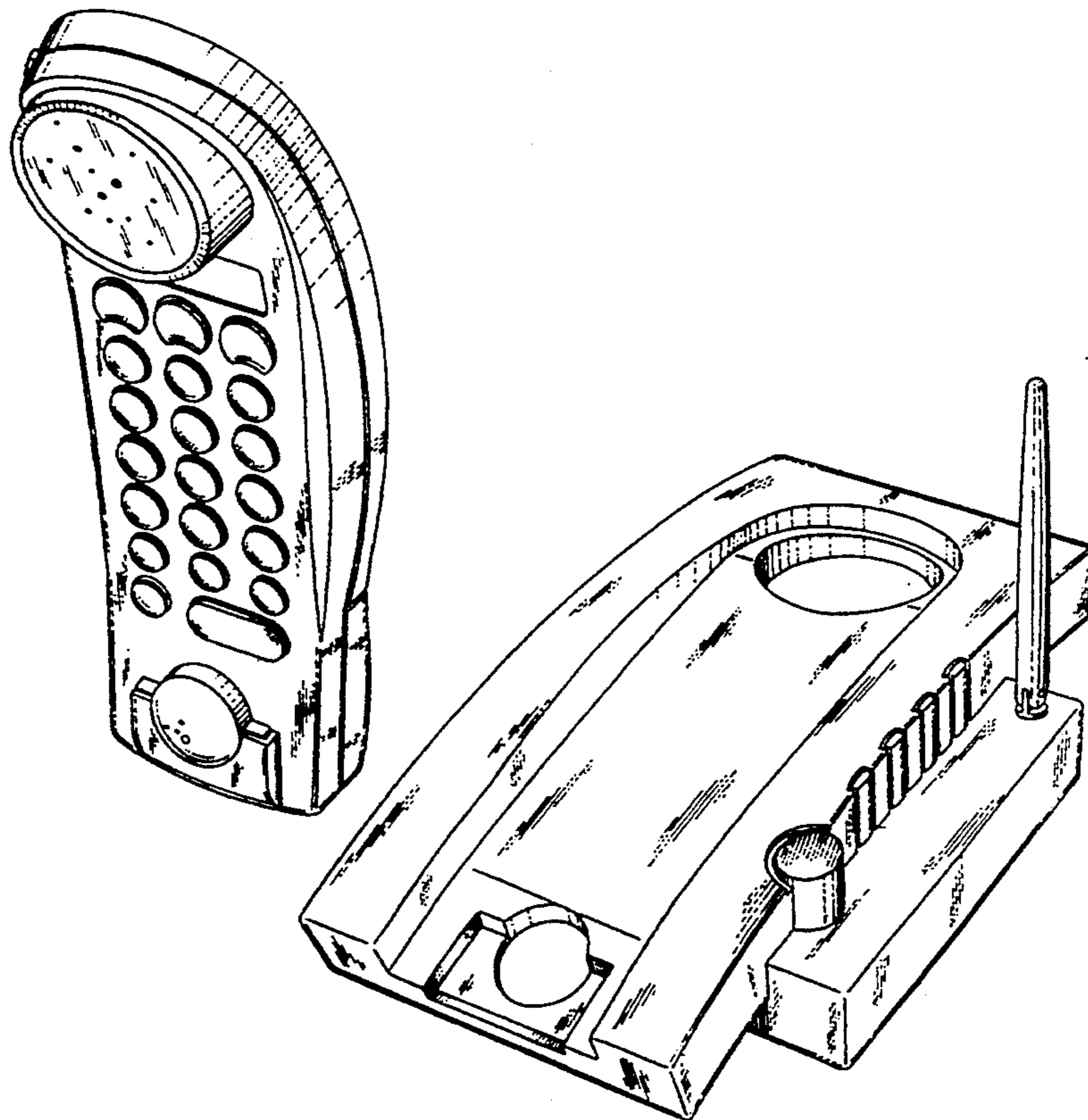
Primary Examiner—Nelson C. Holtje
Assistant Examiner—Jeffrey Asch
Attorney, Agent, or Firm—Jack E. Haken

[57] **CLAIM**

The ornamental design for a combined telephone handset with charging base station, as shown and described.

DESCRIPTION

FIG. 1 is a front, right side, perspective view showing our new design in which the telephone handset with charging base station is separated from the base station; FIG. 2 is a front elevational view thereof; FIG. 3 is a rear elevational view thereof; FIG. 4 is a right side elevational view thereof; FIG. 5 is a left side elevational view thereof; FIG. 6 is a top plan view thereof; FIG. 7 is a bottom plan view thereof; and, FIG. 8 is a front, right side, perspective view showing our new design in which the combined telephone handset with charging base station is integrated with the base station.



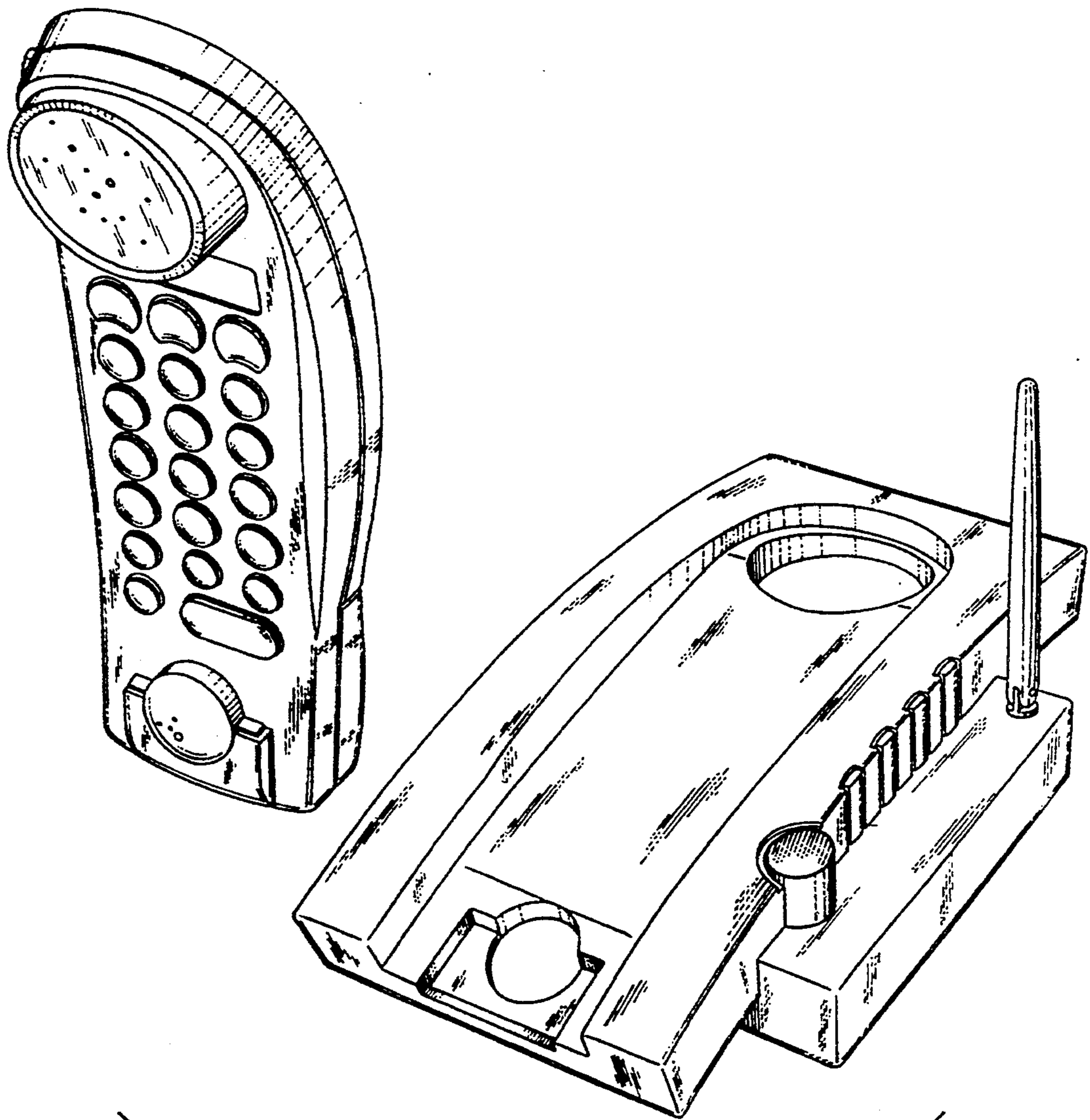


FIG. 1

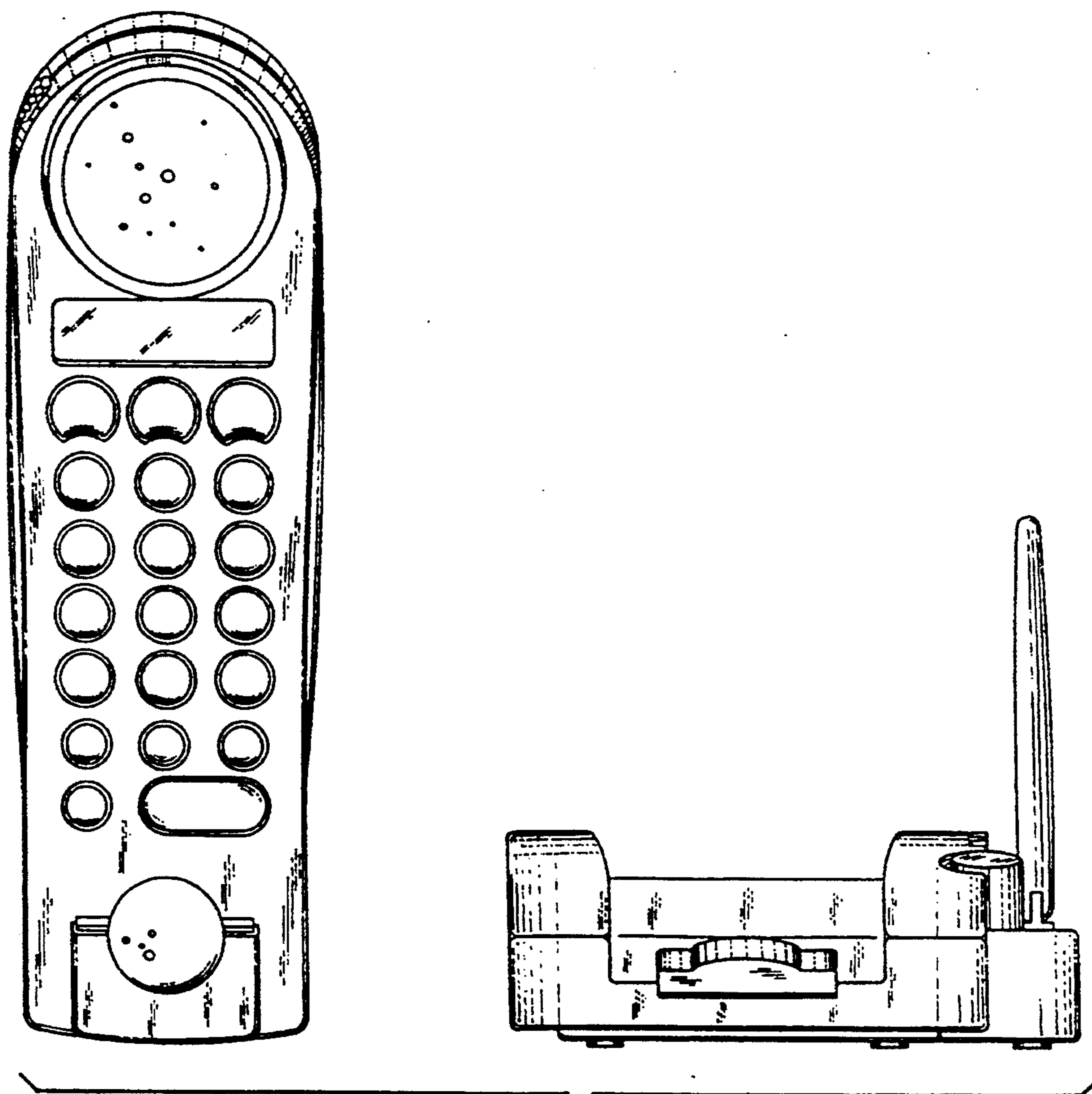


FIG.2

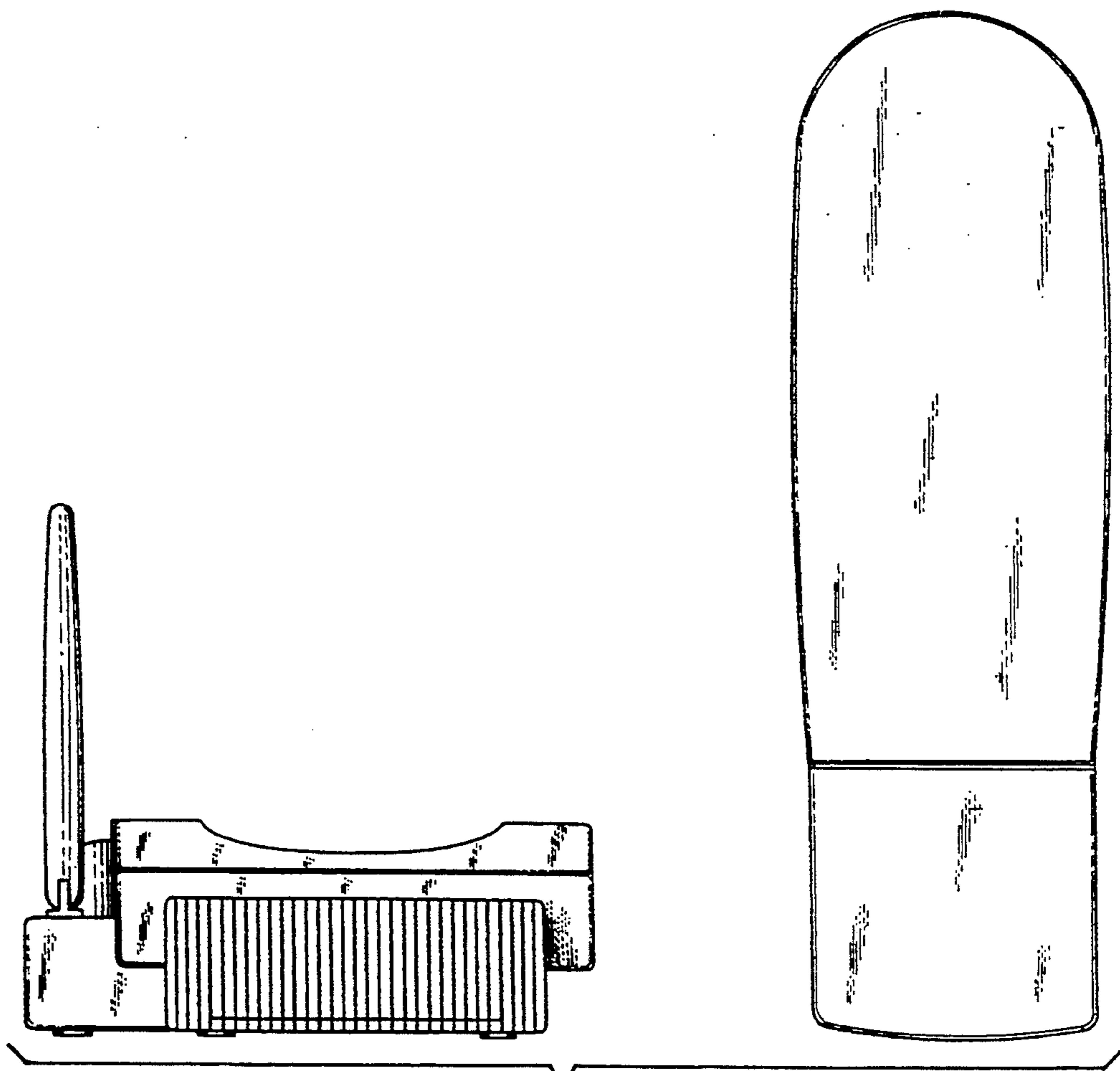


FIG. 3

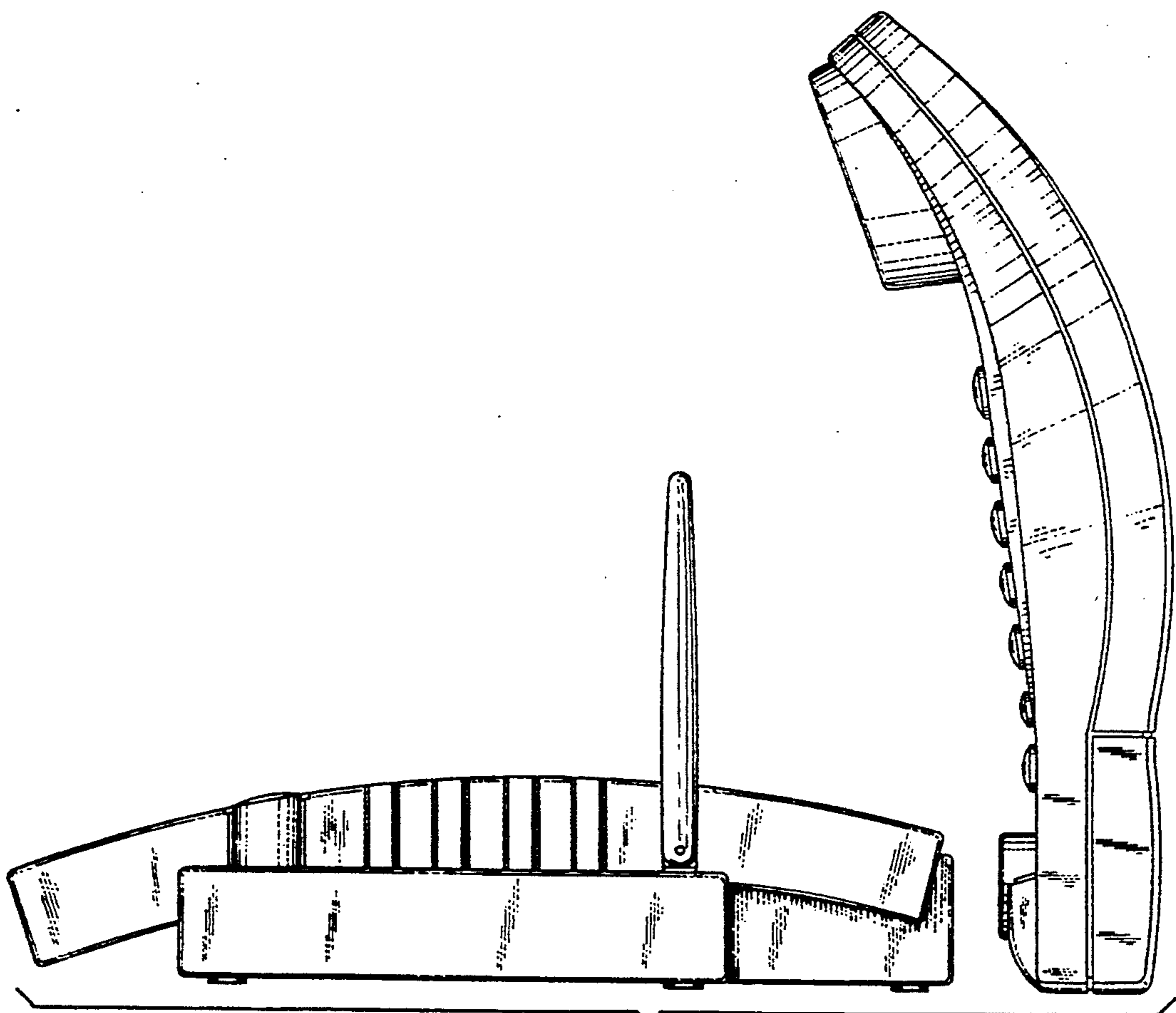


FIG.4

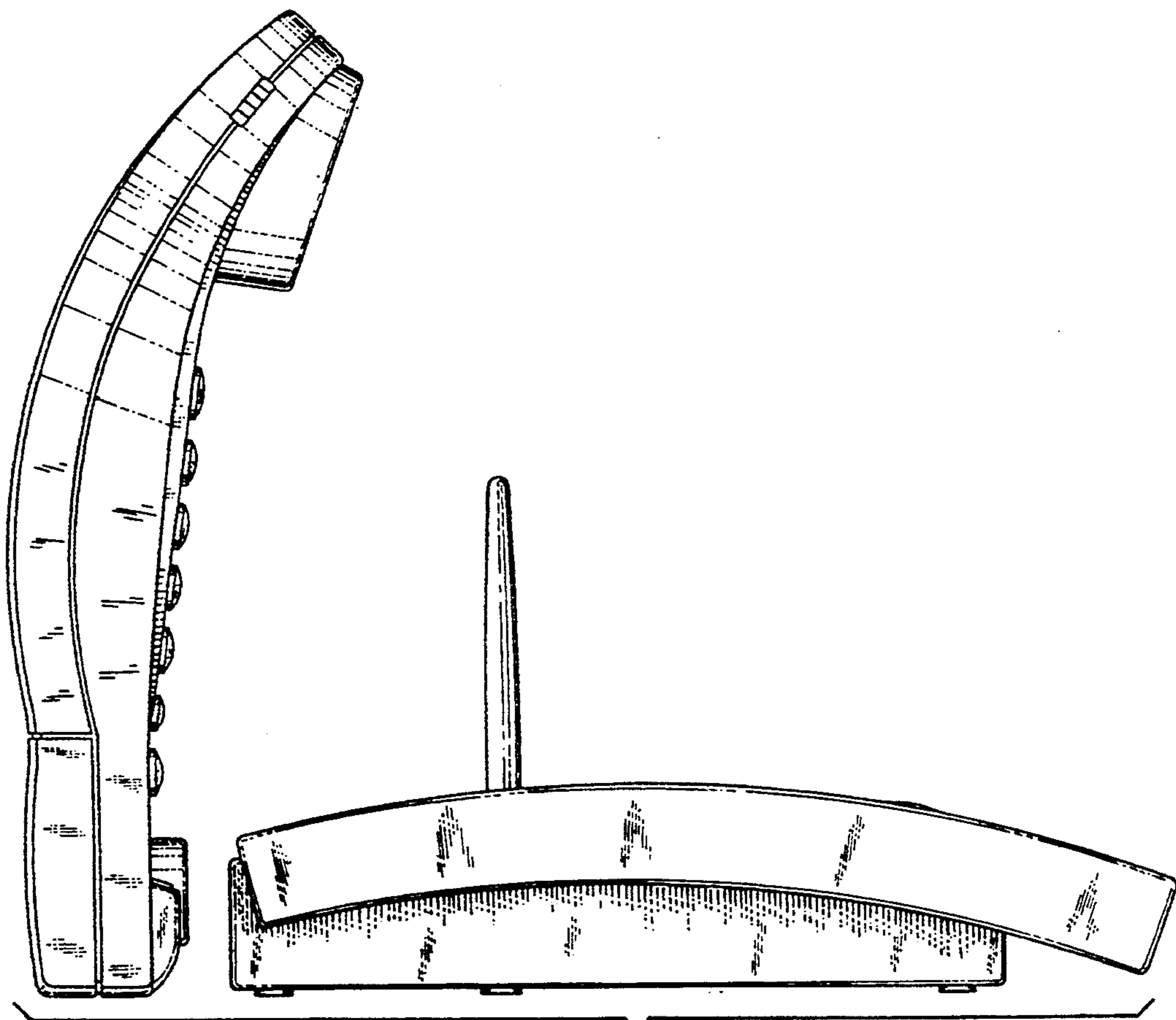


FIG. 5

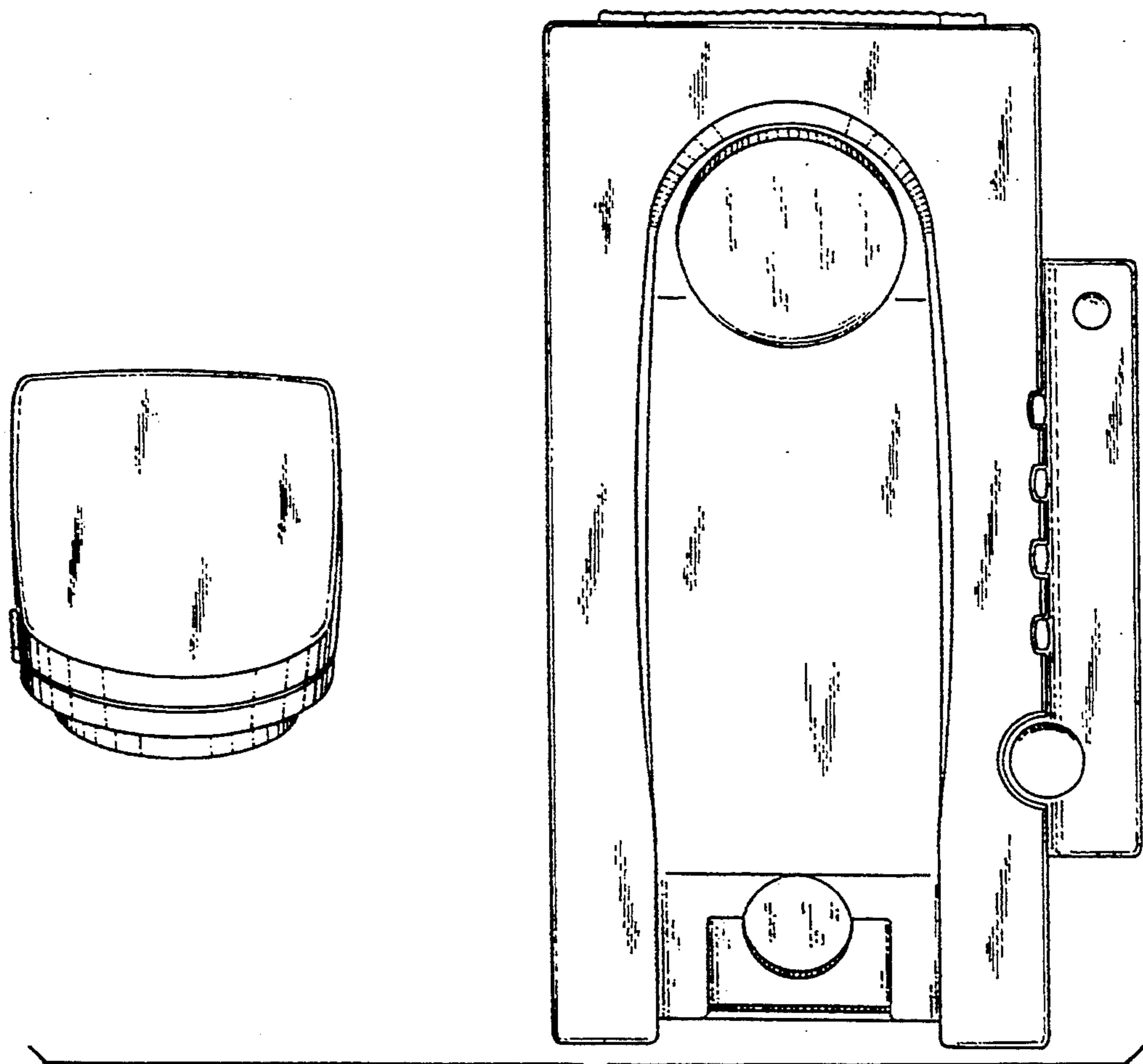


FIG. 6

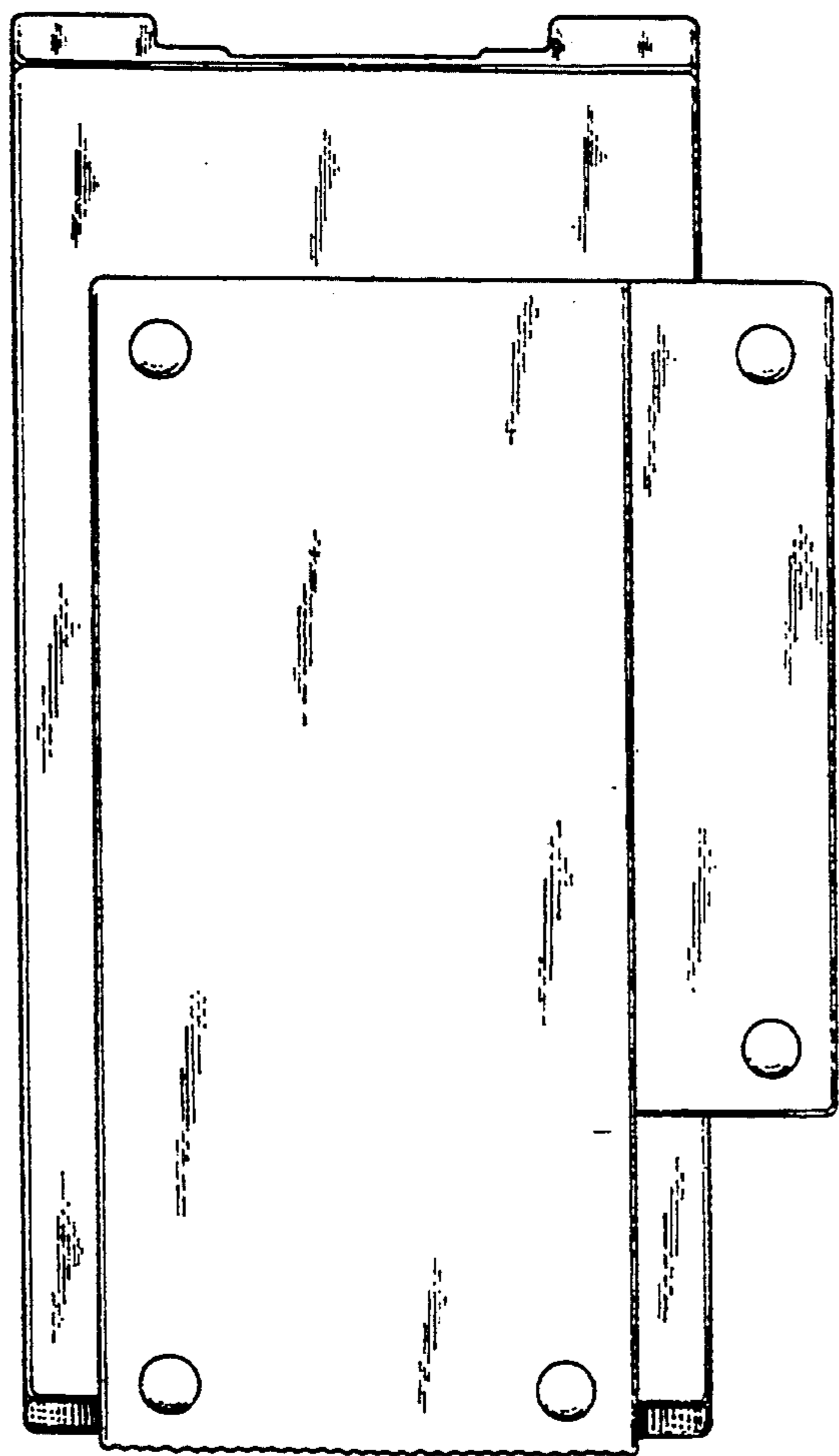
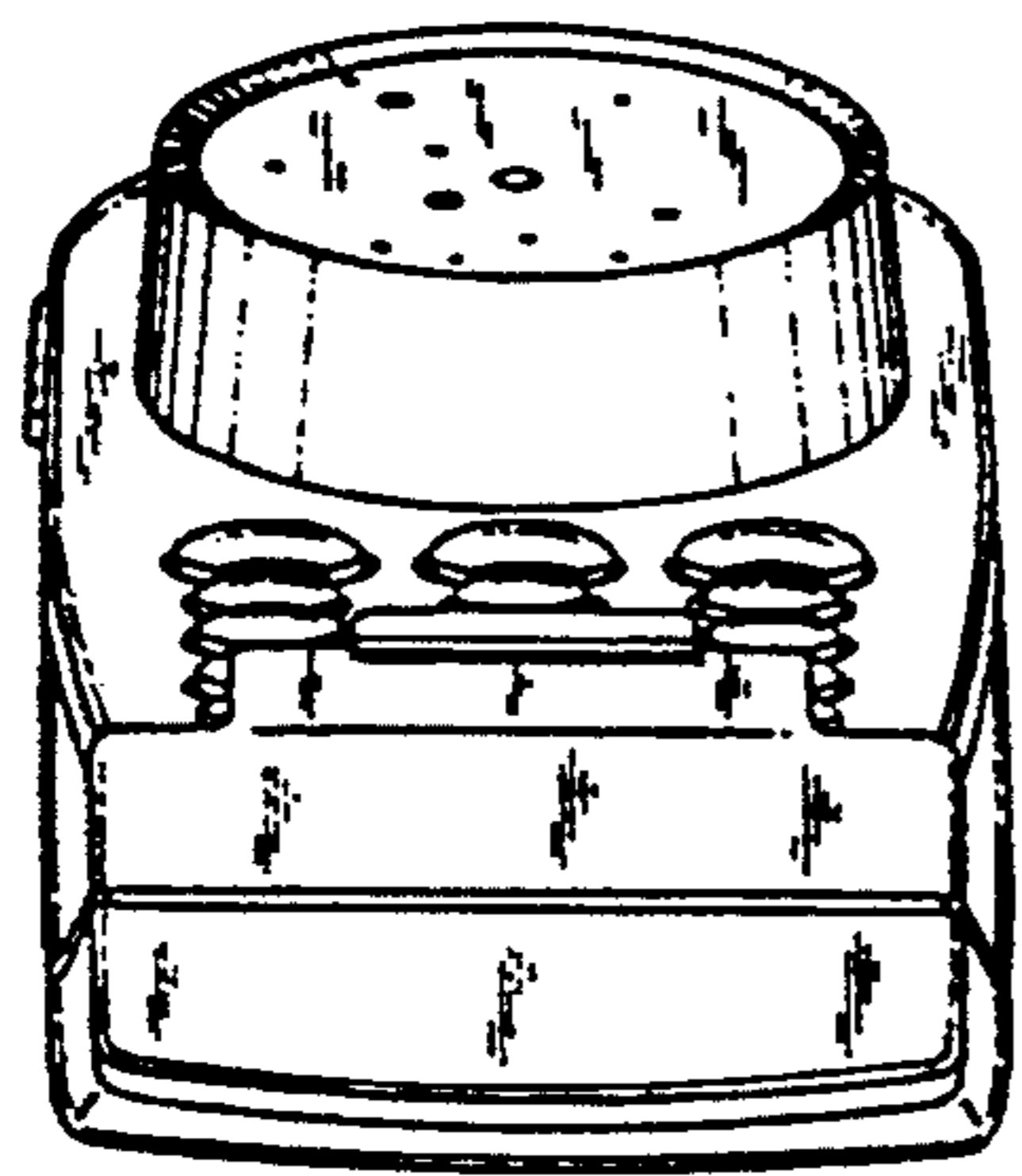


FIG.7

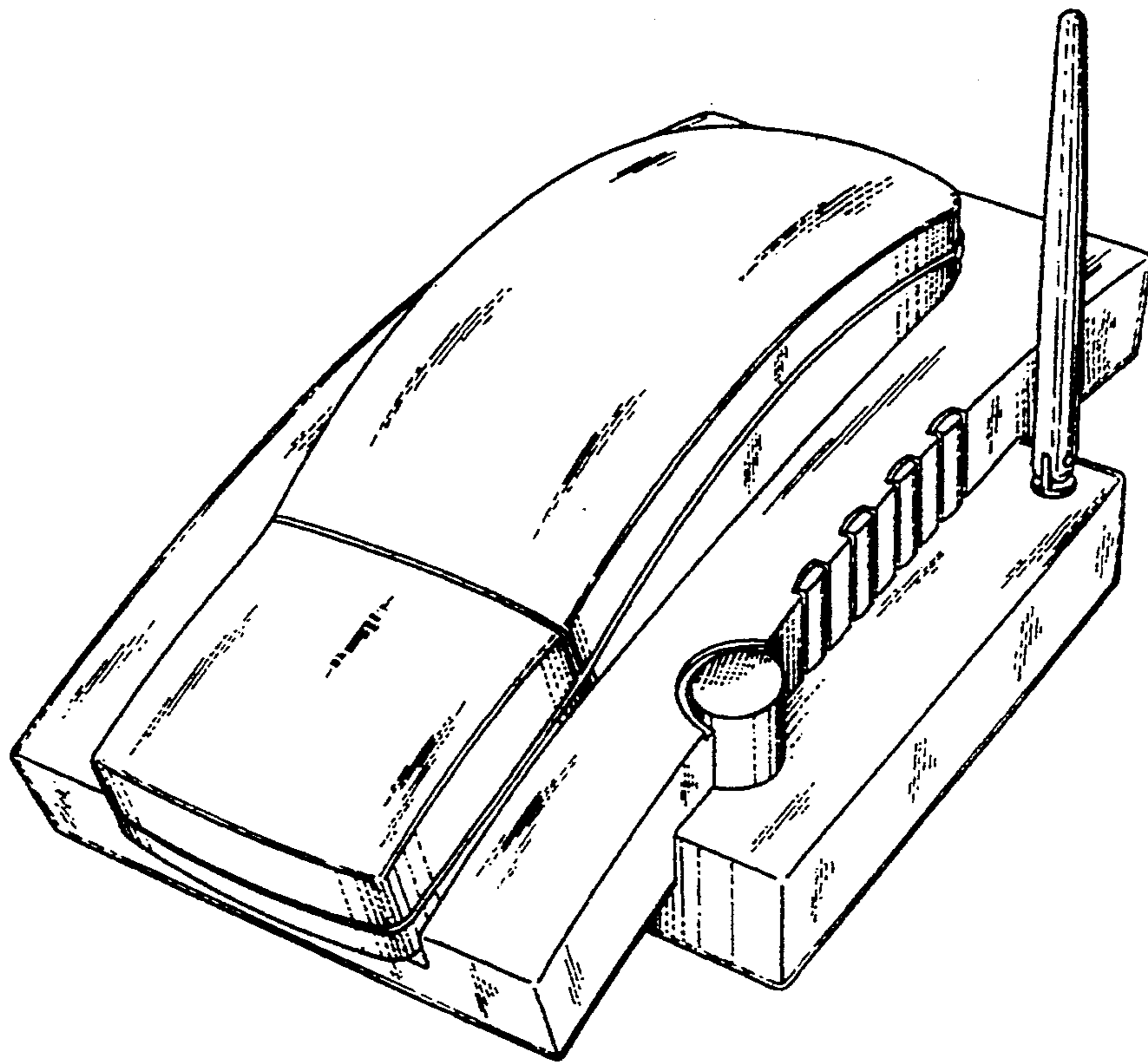


FIG.8