



US00D353374S

United States Patent [19]

[11] Patent Number: **Des. 353,374**

Heijnen

[45] Date of Patent: **** Dec. 13, 1994**

[54] **COMBINED TELEPHONE HANDSET WITH CHARGING UNIT**

D. 313,800	1/1991	Appleby	D14/151
D. 323,164	1/1992	Myoga	D14/143 X
D. 343,541	2/1994	Hon et al.	D13/108 X
3,183,891	5/1965	MacDonald	D13/108 X
4,543,451	9/1985	Schoen	379/434 X

[75] Inventor: **Rijndert W. Heijnen, Waalre, Netherlands**

[73] Assignee: **U.S. Philips Corporation, New York, N.Y.**

FOREIGN PATENT DOCUMENTS

1215958 12/1970 United Kingdom 379/434

[**] Term: **14 Years**

Primary Examiner—Alan P. Douglas
Assistant Examiner—Jeffrey Asch
Attorney, Agent, or Firm—Jack E. Haken

[21] Appl. No.: **11,951**

[22] Filed: **Aug. 18, 1993**

[57] CLAIM

[30] Foreign Application Priority Data

Mar. 22, 1993 [WO] WIPO DM/025594

The ornamental design for a combined telephone handset with charging unit, as shown and described.

[52] U.S. Cl. **D14/149; D13/108; D14/148**

DESCRIPTION

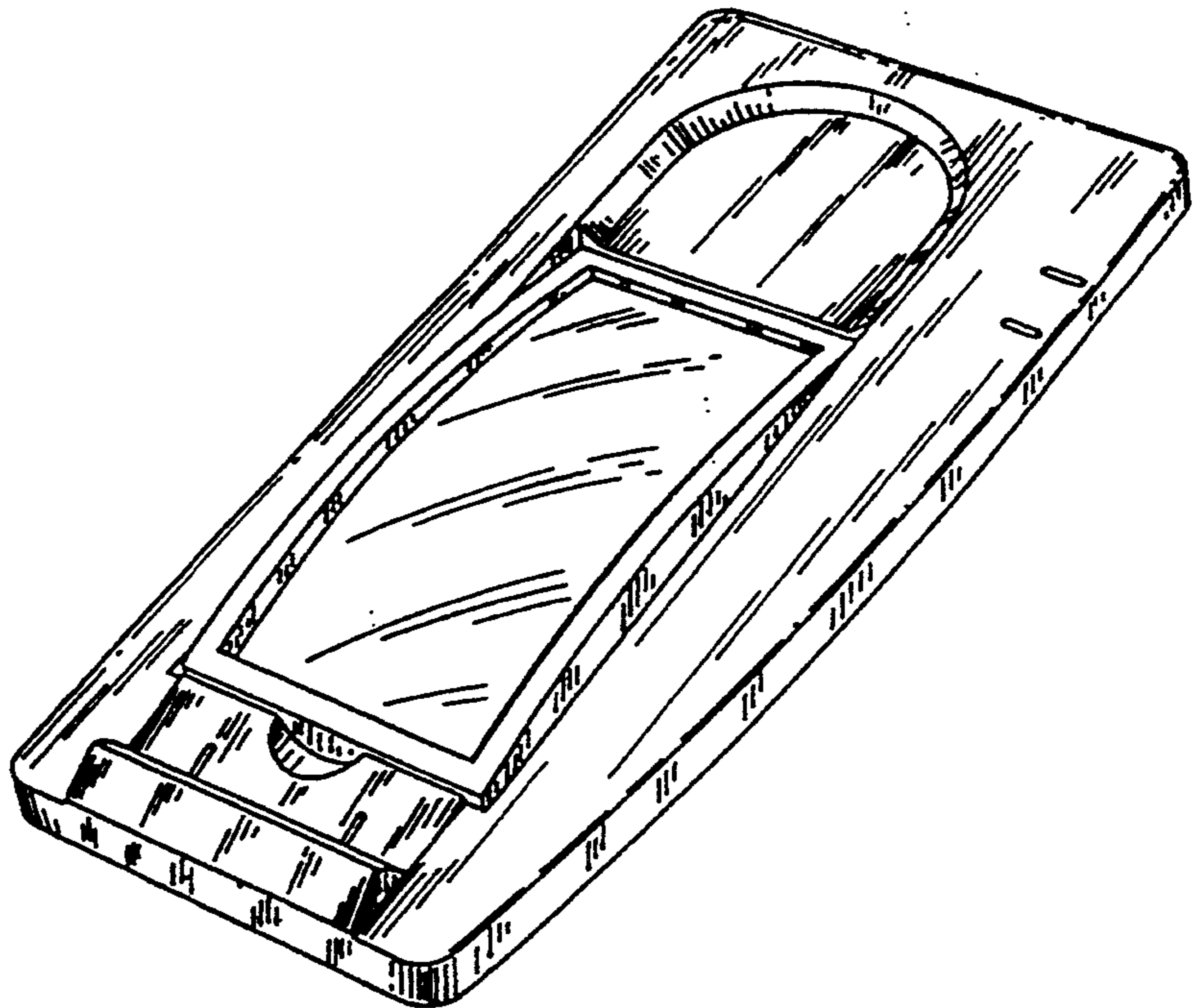
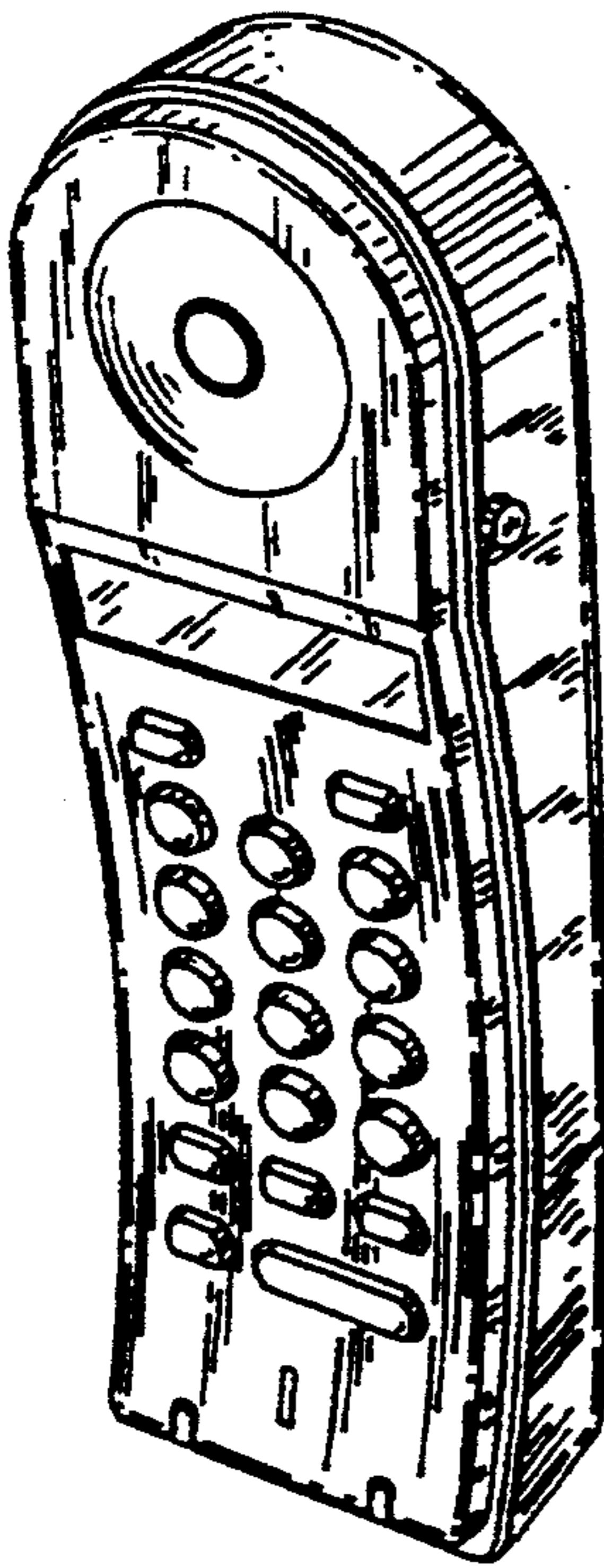
[58] Field of Search 379/58-61, 379/419, 420, 428, 440, 433-436; 439/357, 298, 660, 929; D14/140, 142, 149-151, 147, 148, 137, 138, 240, 241; D13/108

FIG. 1 is a front, right side, perspective view showing our new design in which the telephone handset is separated from the charging unit;
FIG. 2 is a front elevational view thereof;
FIG. 3 is a rear elevational view thereof;
FIG. 4 is a right side elevational view thereof;
FIG. 5 is a left side elevational view thereof;
FIG. 6 is a top plan view thereof;
FIG. 7 is a bottom plan view thereof; and,
FIG. 8 is a front, right side, perspective view showing our new design in which the telephone handset is integrated with the charging unit.

[56] References Cited

U.S. PATENT DOCUMENTS

D. 238,374	1/1976	Davis et al.	D14/142
D. 257,977	1/1981	Blomberg	D14/148
D. 291,801	9/1989	Suzuki et al.	D14/138
D. 303,383	9/1989	Reichenstein	D14/149 X
D. 305,652	1/1990	Tejima	D14/138



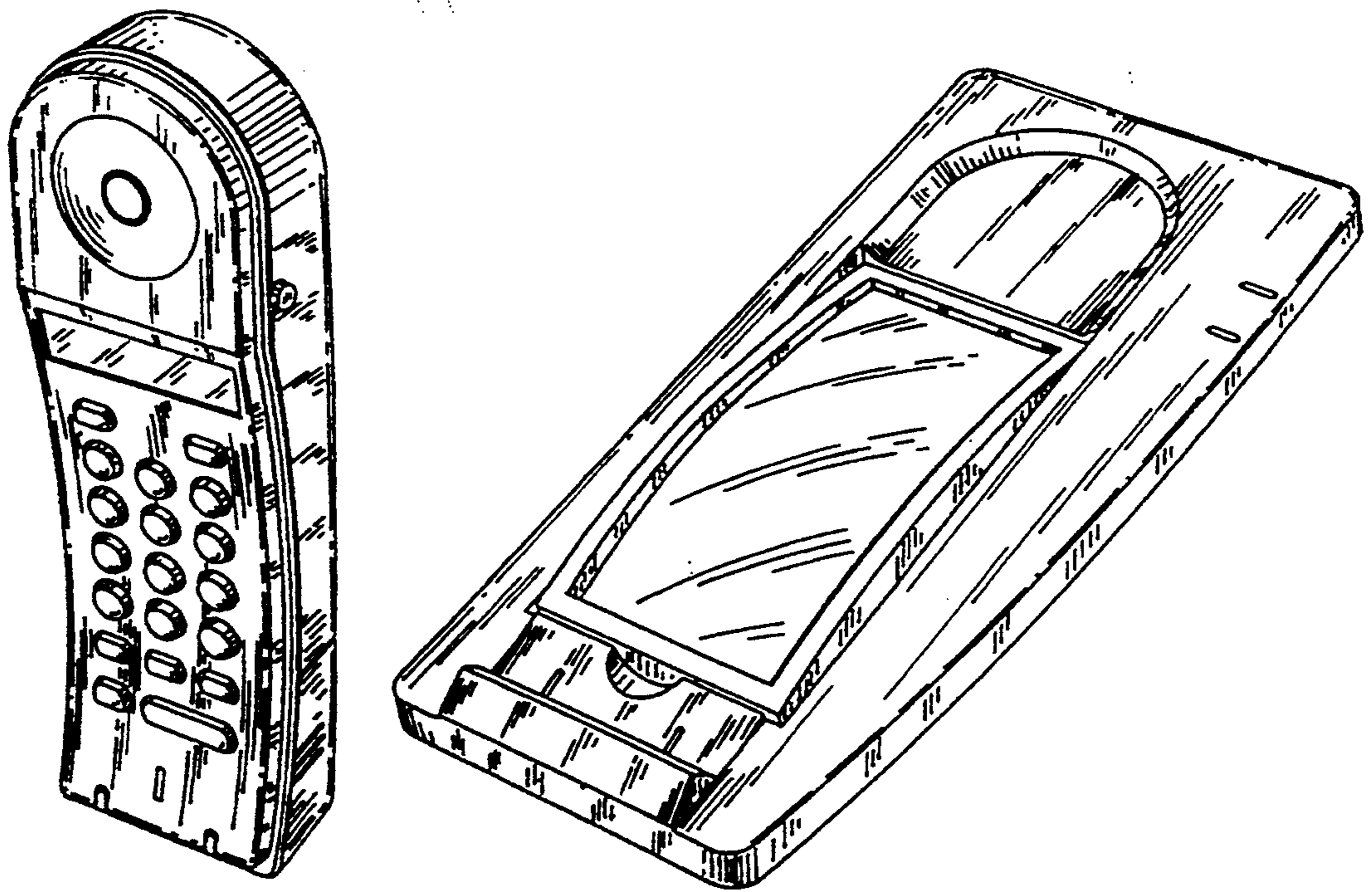


FIG. 1

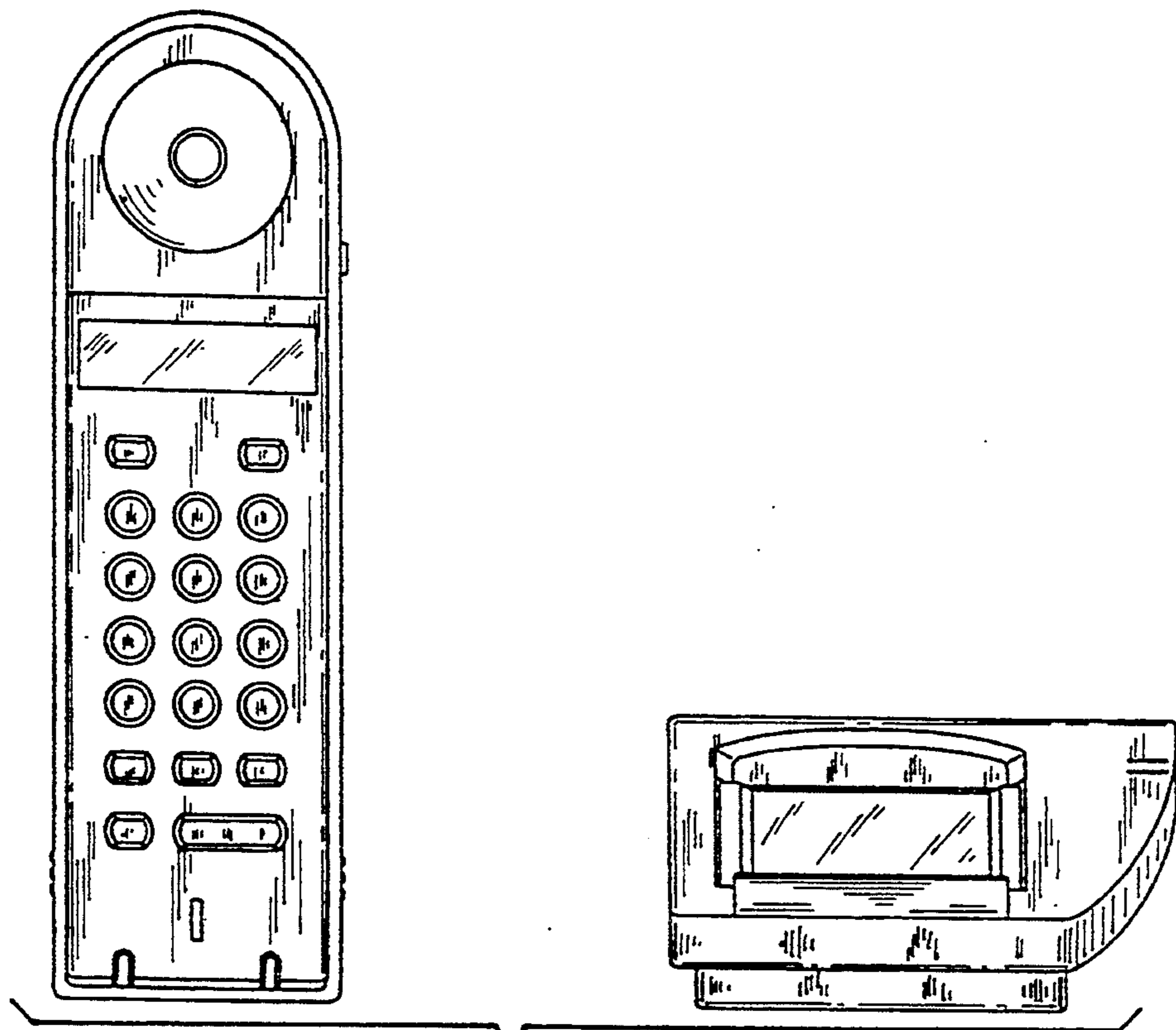


FIG. 2

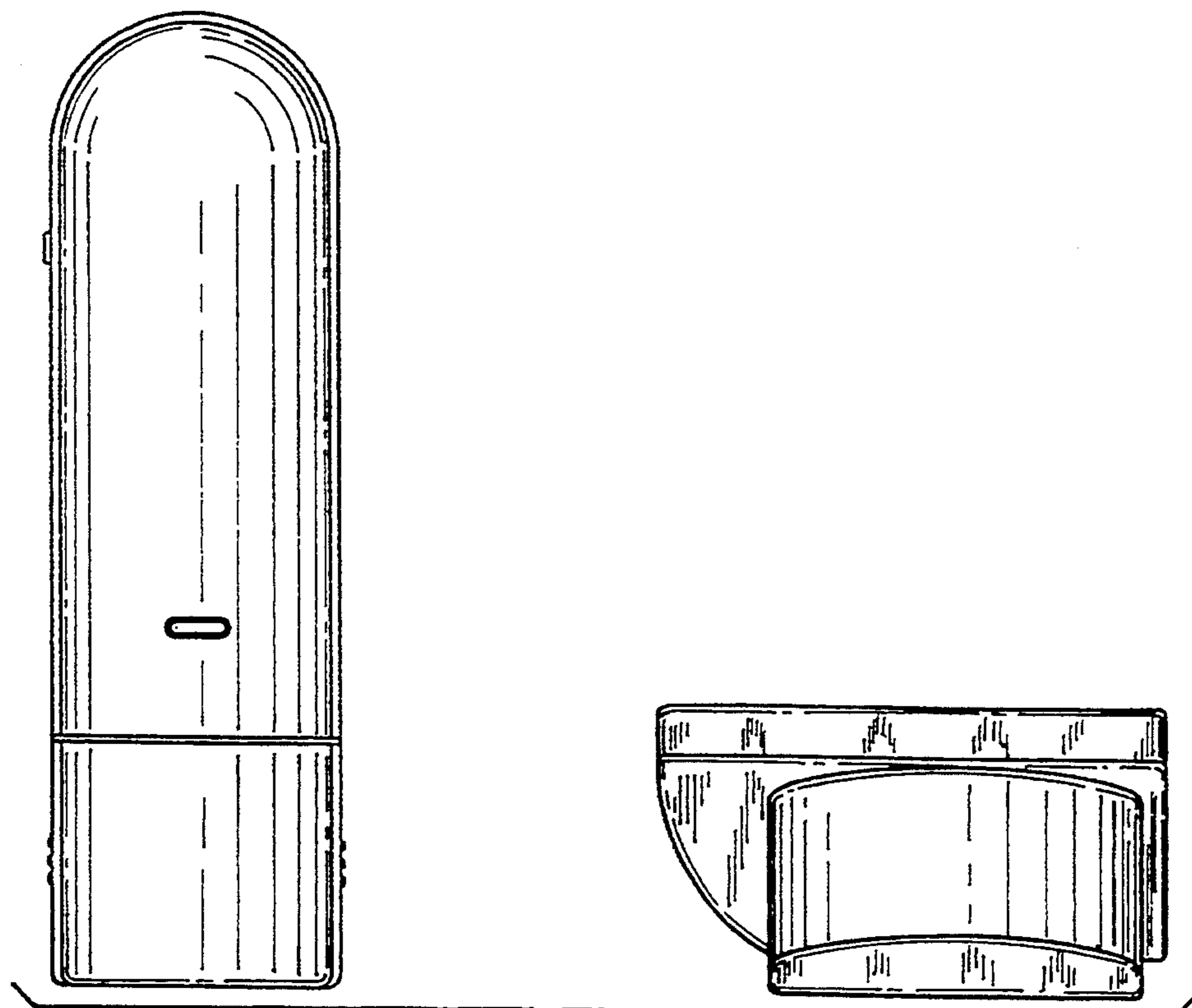


FIG. 3

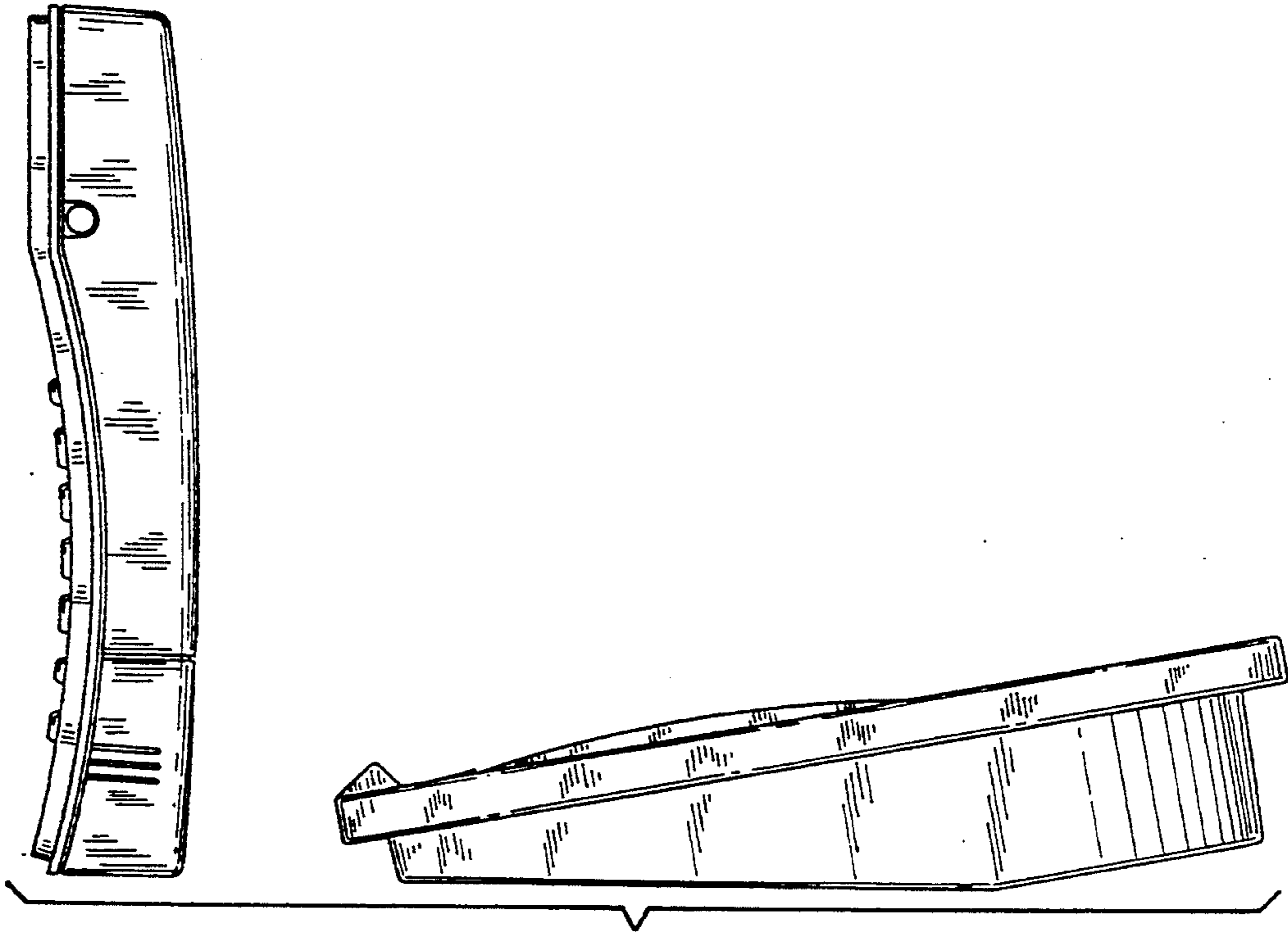


FIG. 4

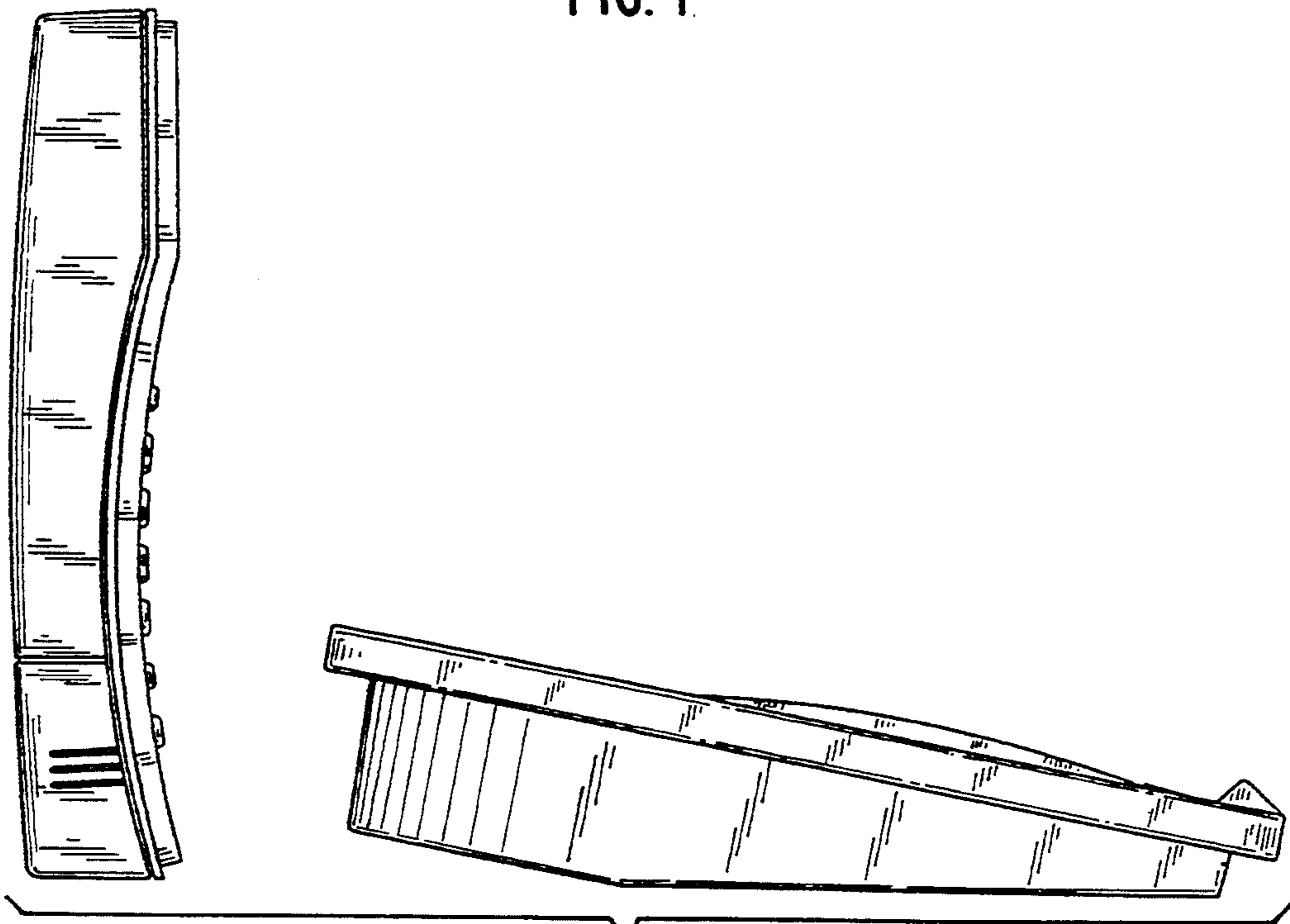


FIG. 5

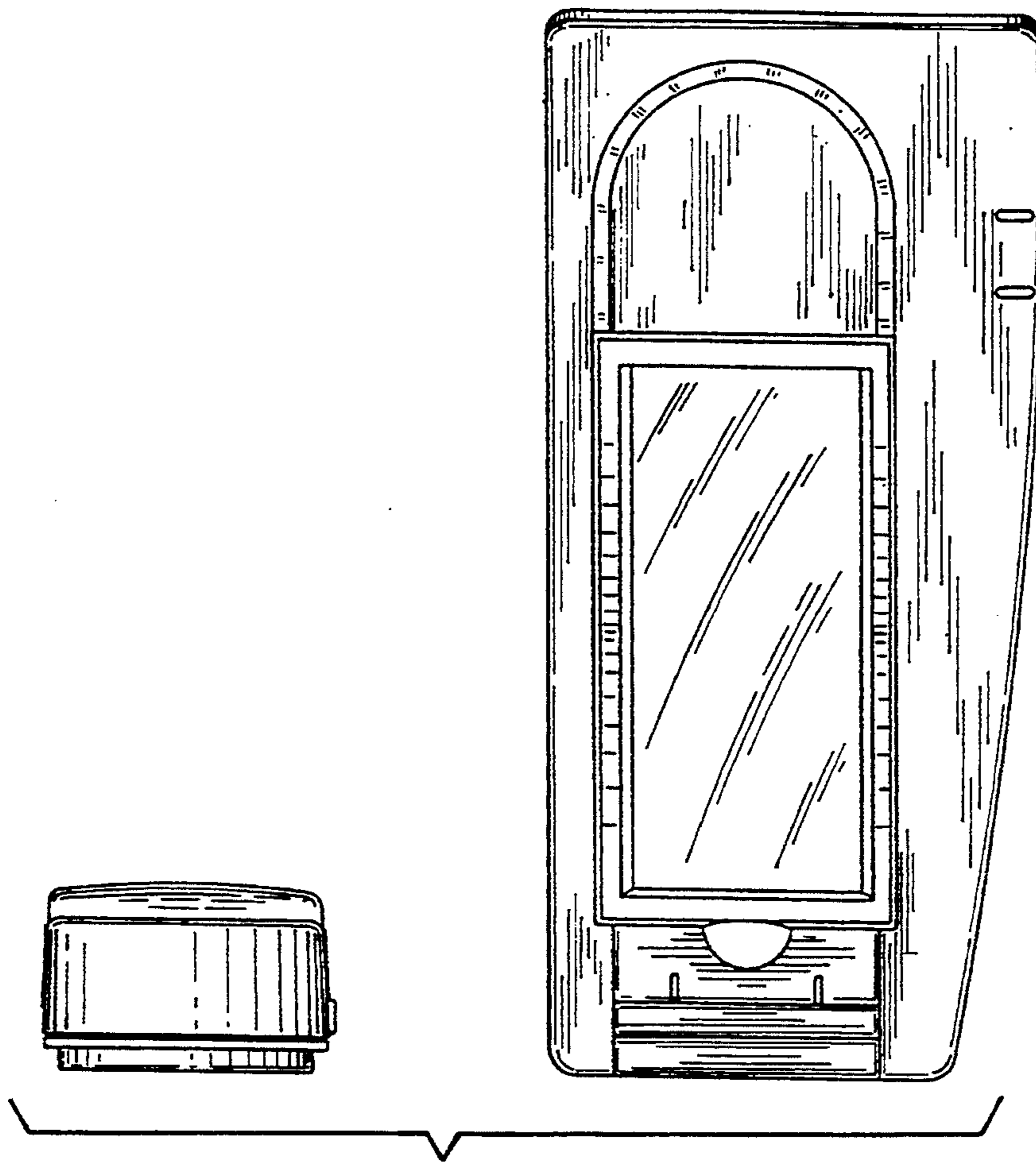


FIG. 6

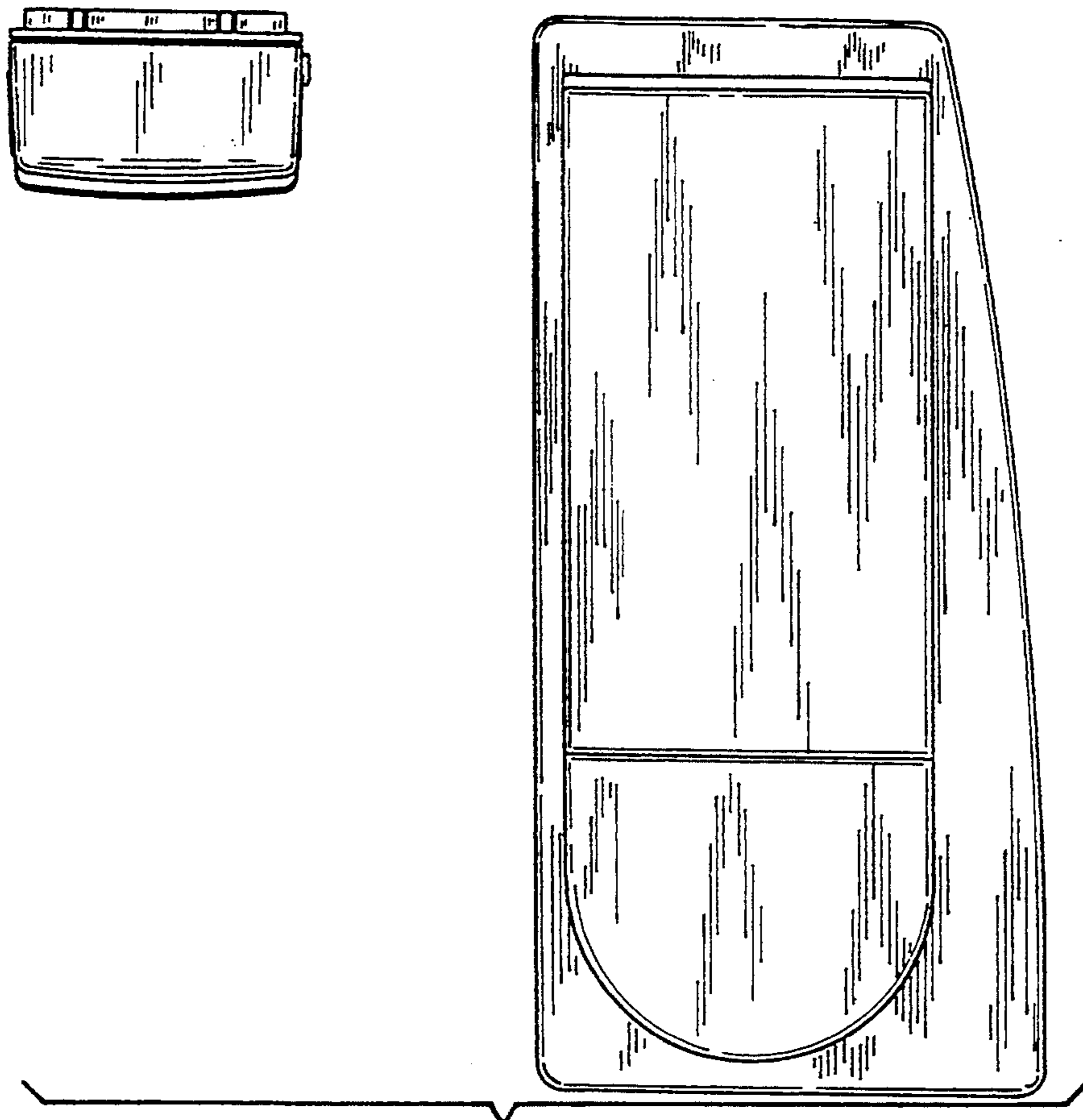


FIG.7

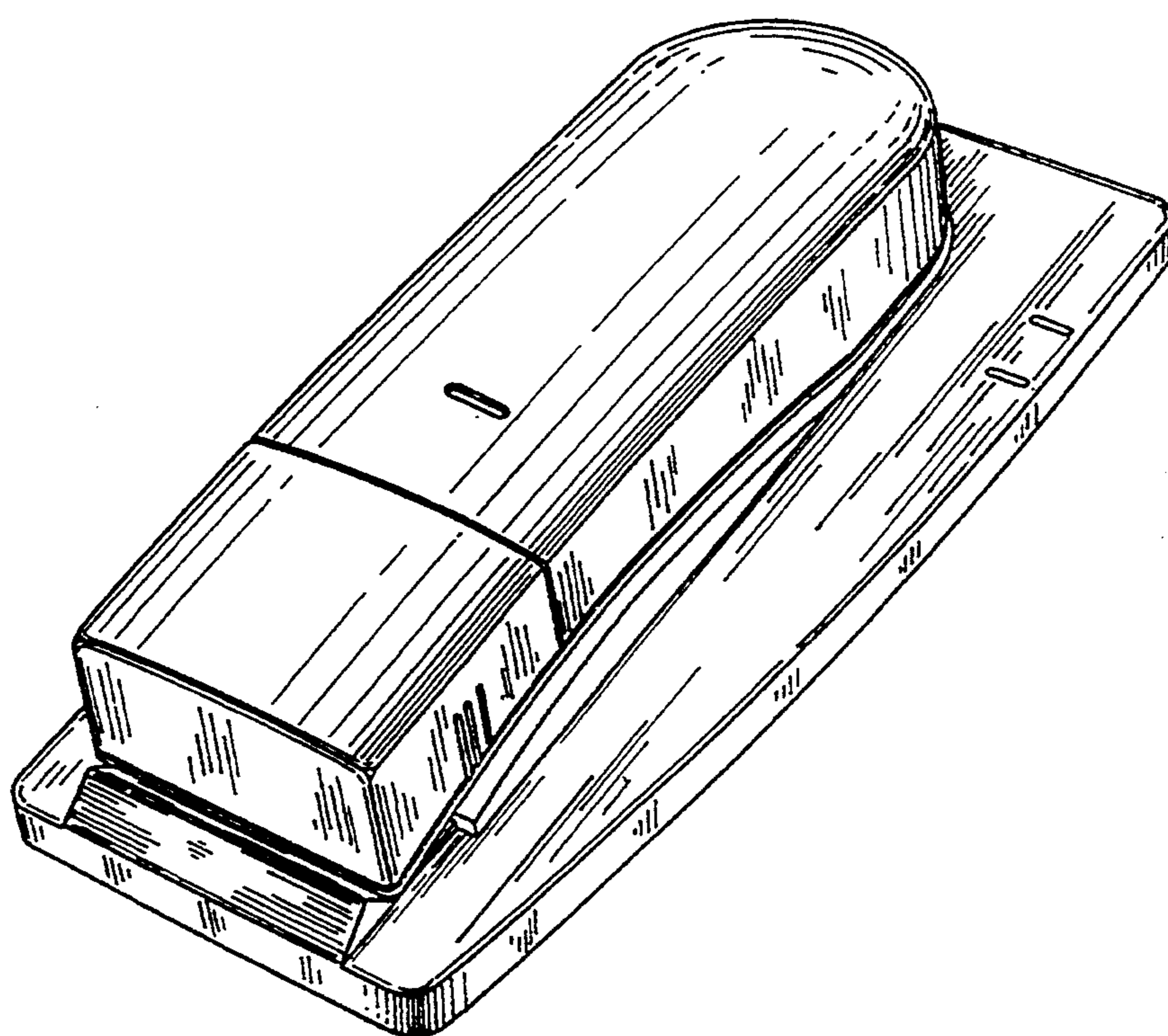


FIG.8