



US00D353370S

United States Patent [19]

[11] Patent Number: **Des. 353,370**

Ashmun et al.

[45] Date of Patent: **** Dec. 13, 1994**

[54] **COMPUTER TRACKBALL**

[75] Inventors: **Stuart Ashmun**, Seattle; **Charlie Garthwaite**, Kirkland; **Bridget Cameron**, Seattle; **Allan H. Stephan**, Seattle; **Michael D. Nelson**, Seattle; **Mike M. Paull**, Seattle, all of Wash.; **Paul Bradley**, Woodside, Calif.; **James R. Yurchenco**, Palo Alto, Calif.; **Elinor J. Fulton**, Kensington, Calif.

[73] Assignee: **Microsoft Corporation**, Redmond, Wash.

[**] Term: **14 Years**

[21] Appl. No.: **2,937**

[22] Filed: **Mar. 5, 1993**

Related U.S. Application Data

[60] Division of Ser. No. 665,840, Mar. 8, 1991, which is a continuation-in-part of Ser. No. 598,562, Oct. 22, 1990, abandoned.

[52] U.S. Cl. **D14/114**

[58] Field of Search 178/18-19; 200/5 R, 5 A, 6 R, 6 A; 213/148 B; 273/148 B; 340/707, 709-710; 74/471 XY; D14/100, 114, 218; D13/158, 168; D21/48

References Cited

U.S. PATENT DOCUMENTS

D. 272,921 3/1984 Kim D14/114 X

D. 281,776	12/1985	Griffin	D13/168
D. 288,930	3/1987	Barbera et al.	D14/114
D. 289,306	4/1987	Burnstein et al.	D21/48
D. 291,318	8/1987	Kim	D14/114
D. 292,600	11/1987	Wagner	D21/48
D. 300,324	3/1989	Akagi et al.	D14/114
D. 302,010	7/1989	McLaughlin et al.	D14/114
D. 302,426	7/1989	Bradley et al.	D14/114
D. 307,739	5/1990	Grant	D14/218 X
D. 309,449	7/1990	MacDonald et al.	D14/114
D. 315,552	3/1991	Sacherman	D14/114
D. 315,896	4/1991	Brown	D14/100
3,625,083	12/1971	Bose	74/471
3,987,685	10/1976	Opocensky	74/471
4,404,865	9/1983	Kim	74/471
4,538,476	9/1985	Luque	74/471 XY
4,799,049	1/1989	Avila	340/709
5,008,528	4/1991	Duchon	250/221

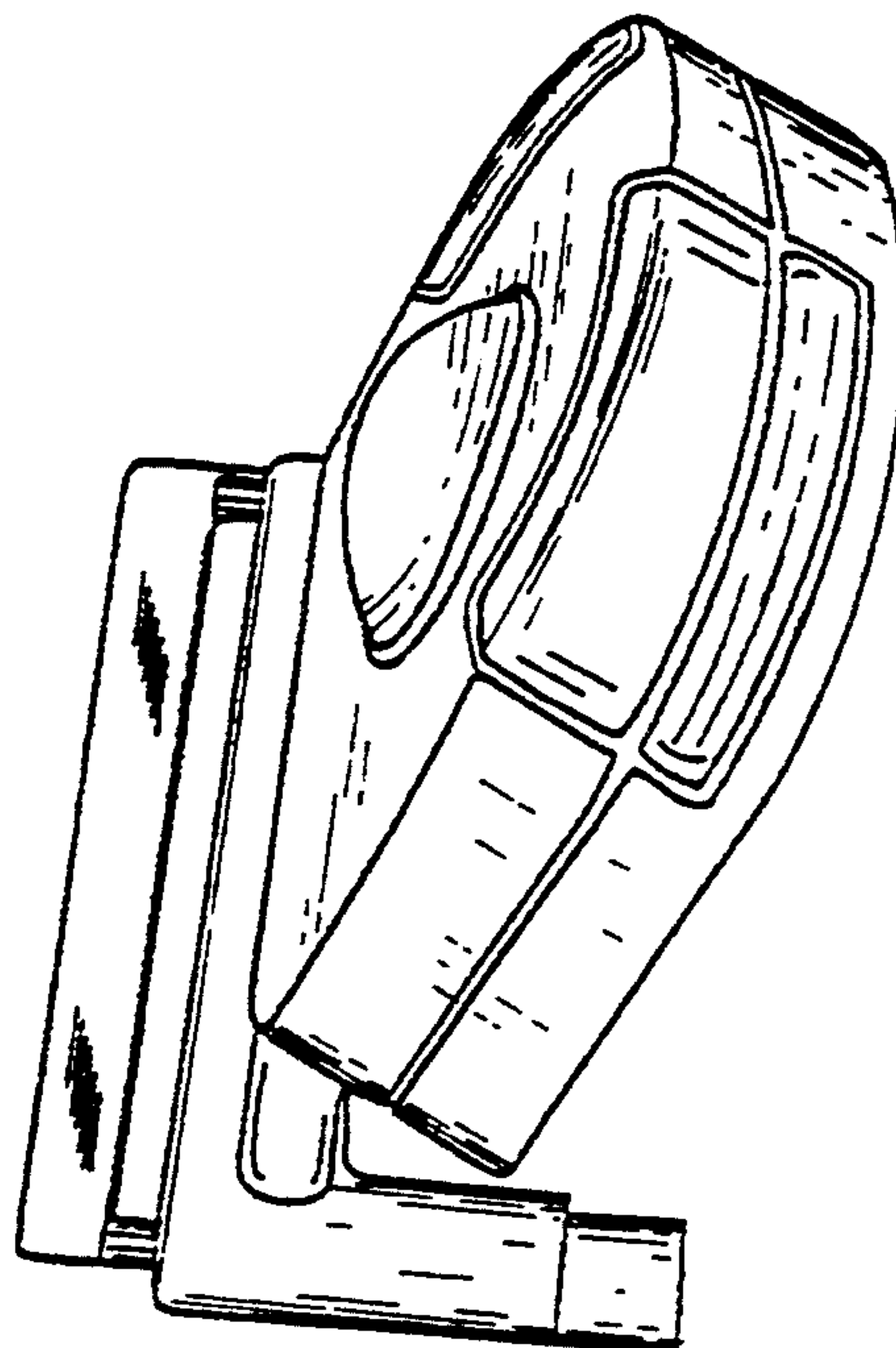
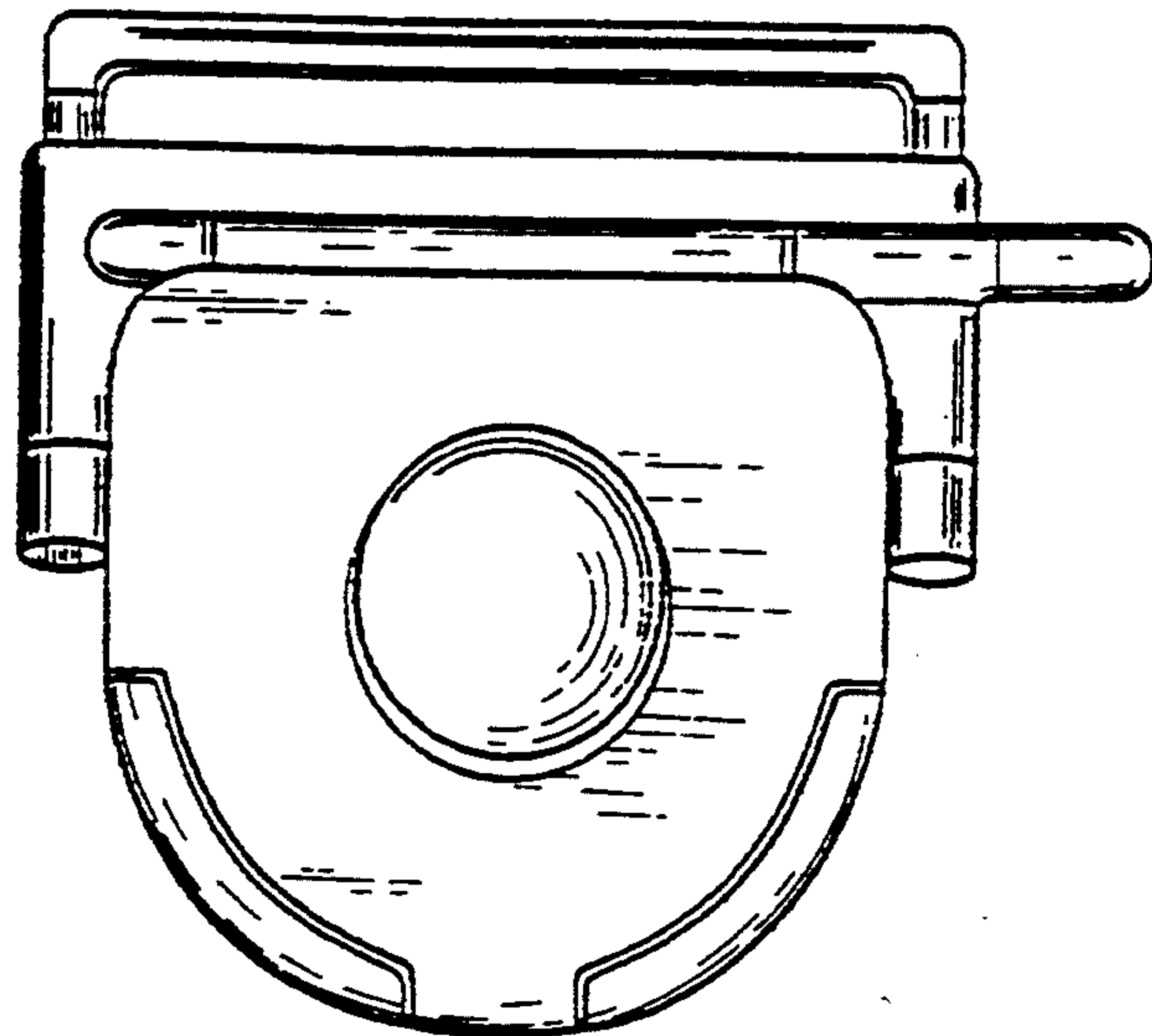
Primary Examiner—Wallace R. Burke
Assistant Examiner—M. H. Tung
Attorney, Agent, or Firm—Seed and Berry

[57] **CLAIM**

The ornamental design for a computer trackball, as shown and described.

DESCRIPTION

FIG. 1 is a top plan view of a computer trackball showing our new design;
FIG. 2 is a side perspective view thereof;
FIG. 3 is a front elevational view thereof;
FIG. 4 is a bottom plan view thereof;
FIG. 5 is a left side elevational view thereof;
FIG. 6 is a right side elevational view thereof; and,
FIG. 7 is a rear elevational view thereof.



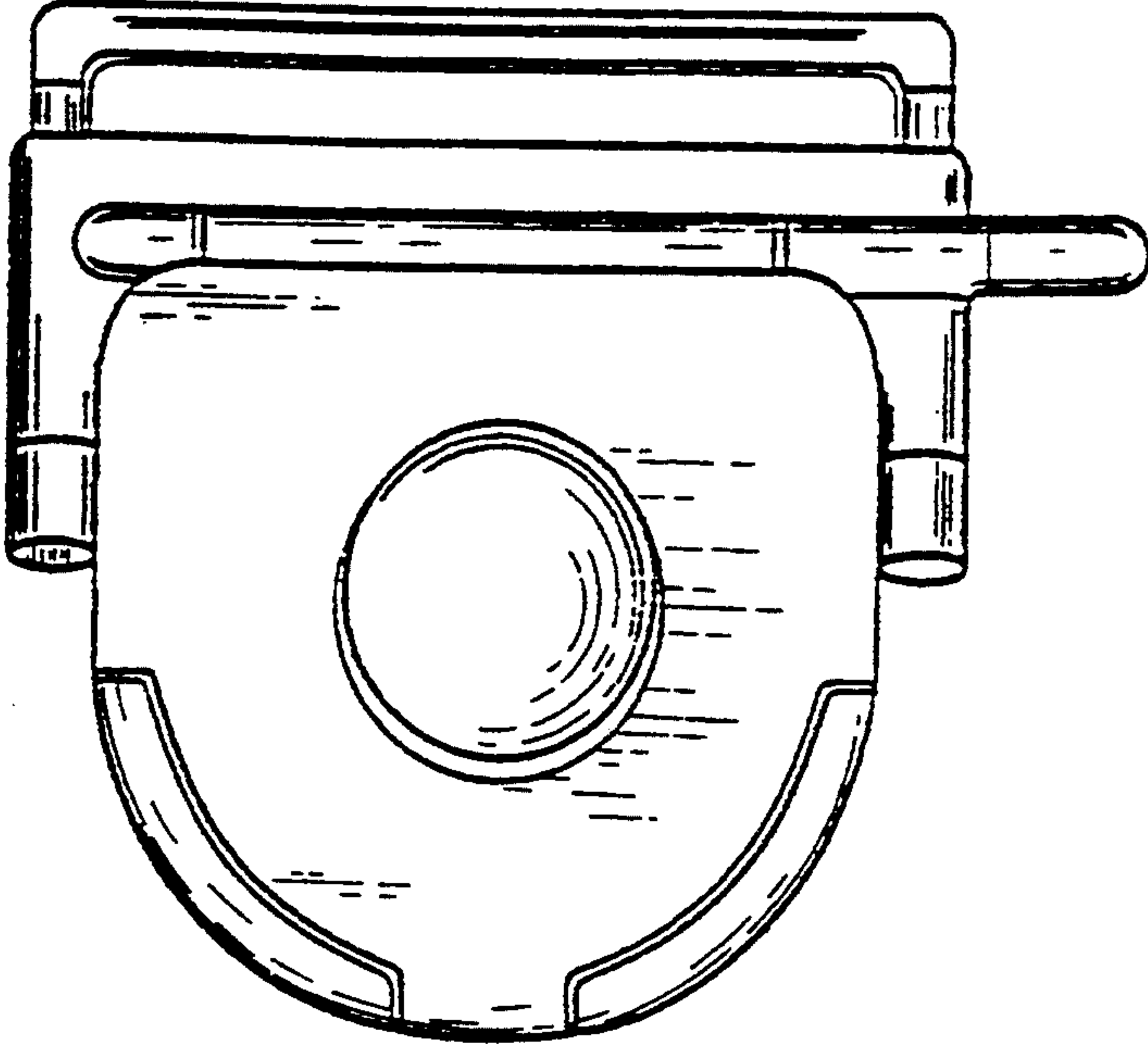


FIG. 1

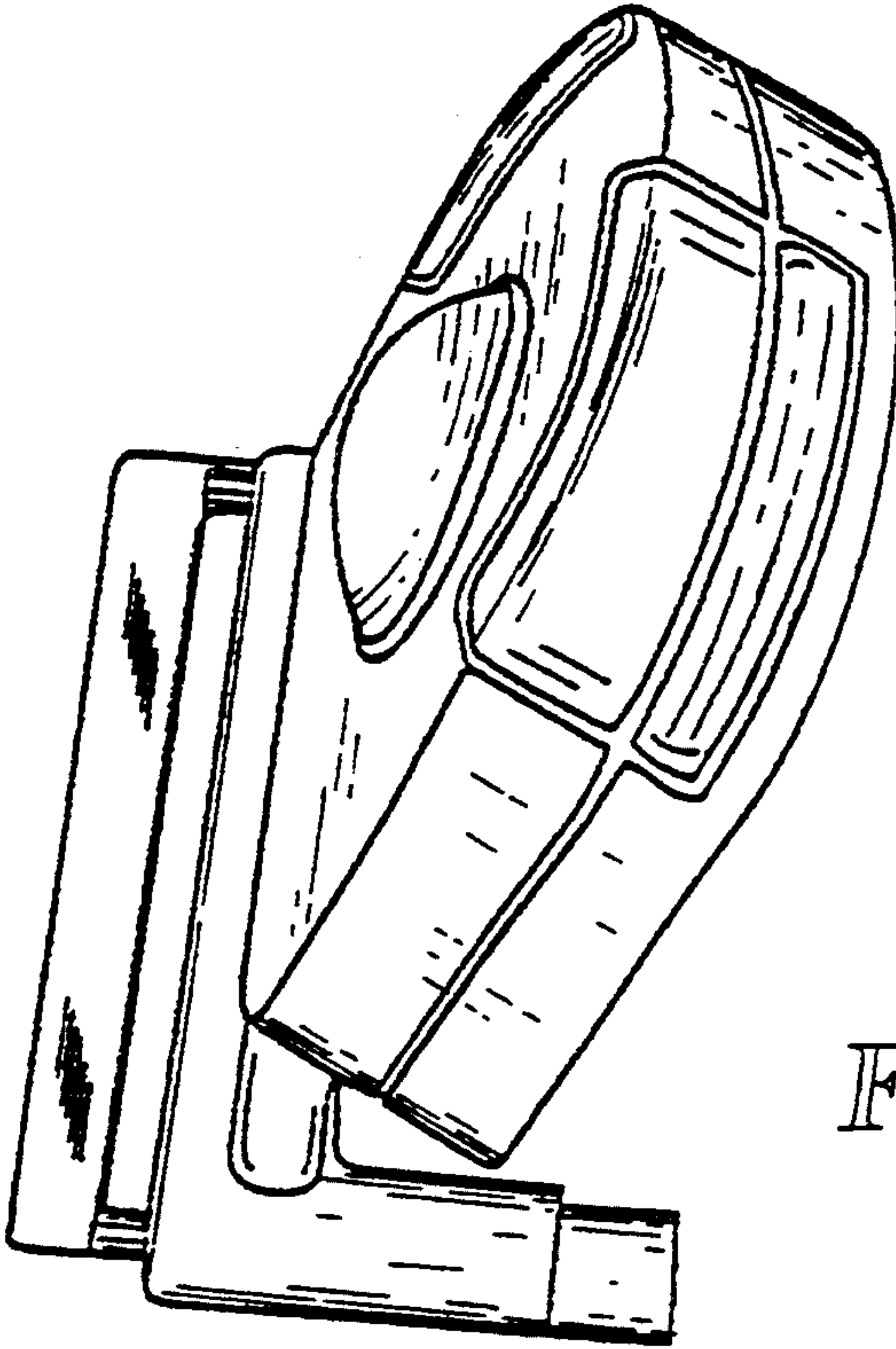


FIG. 2

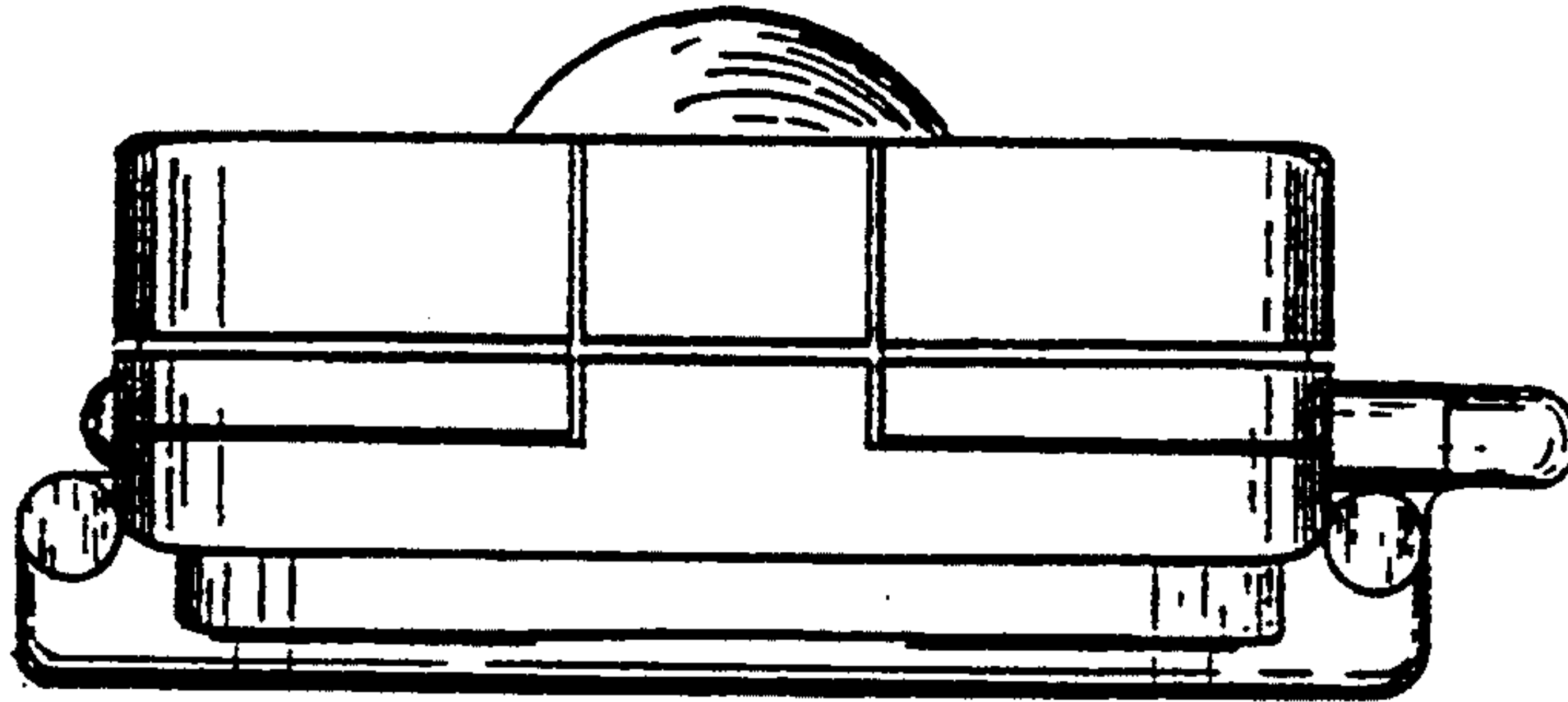


FIG. 3

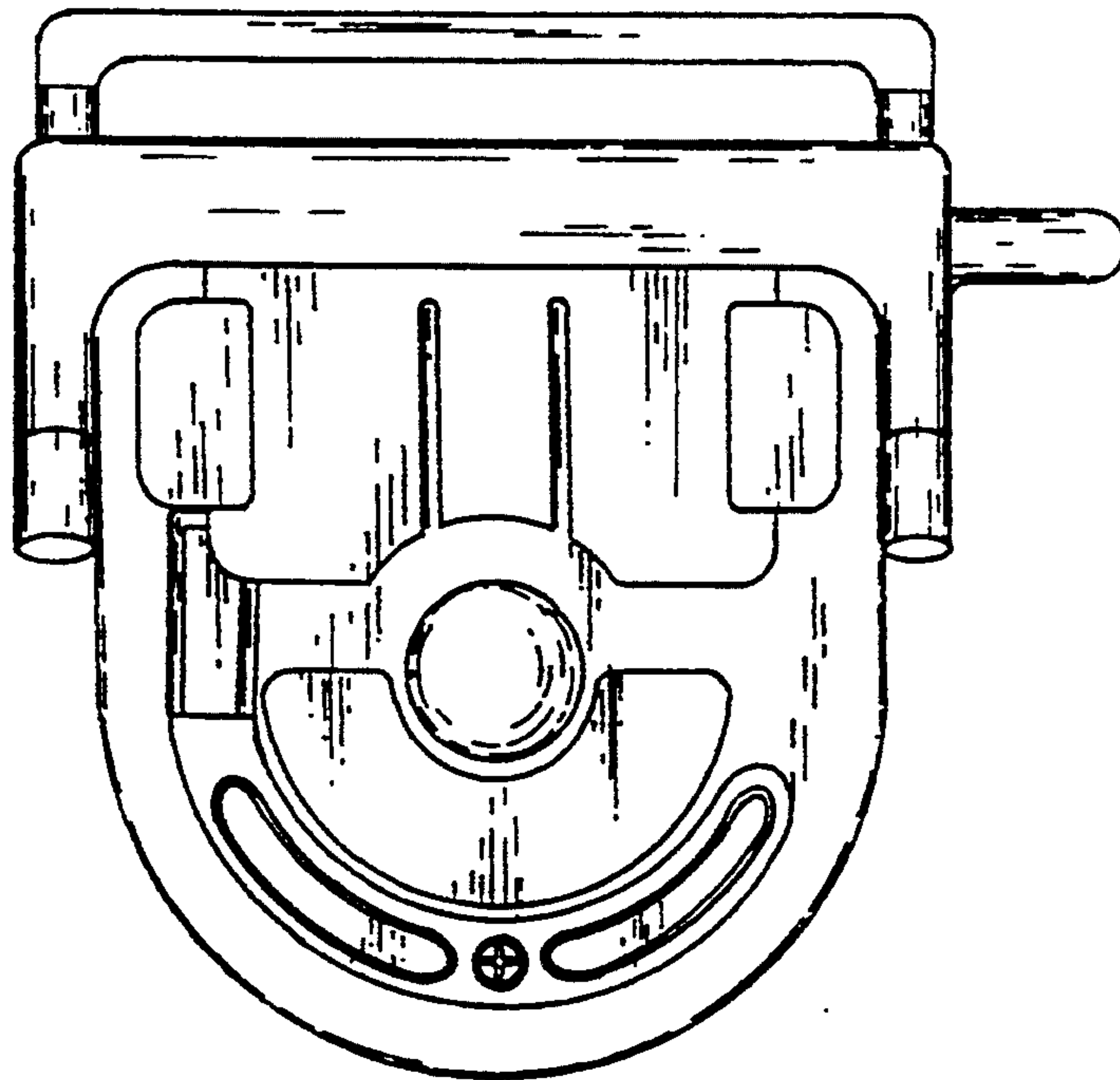


FIG. 4

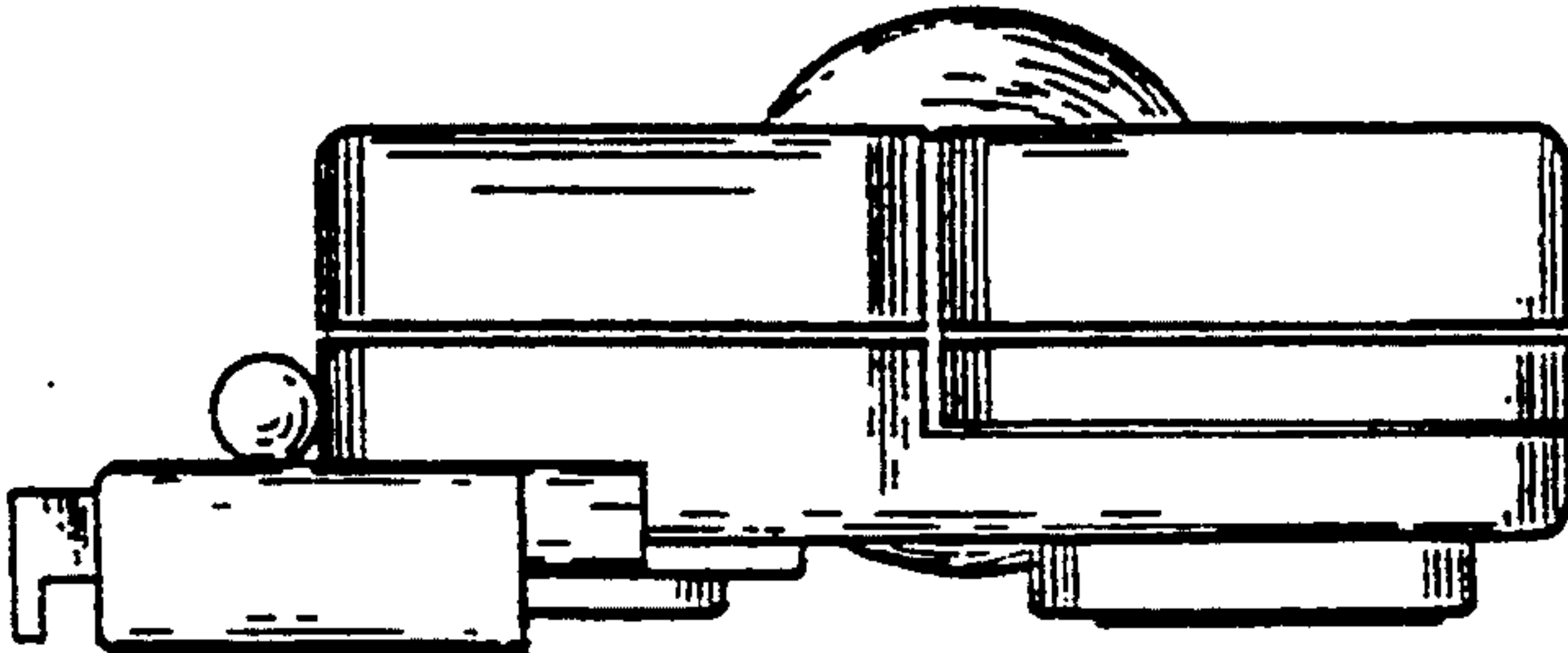


FIG. 5

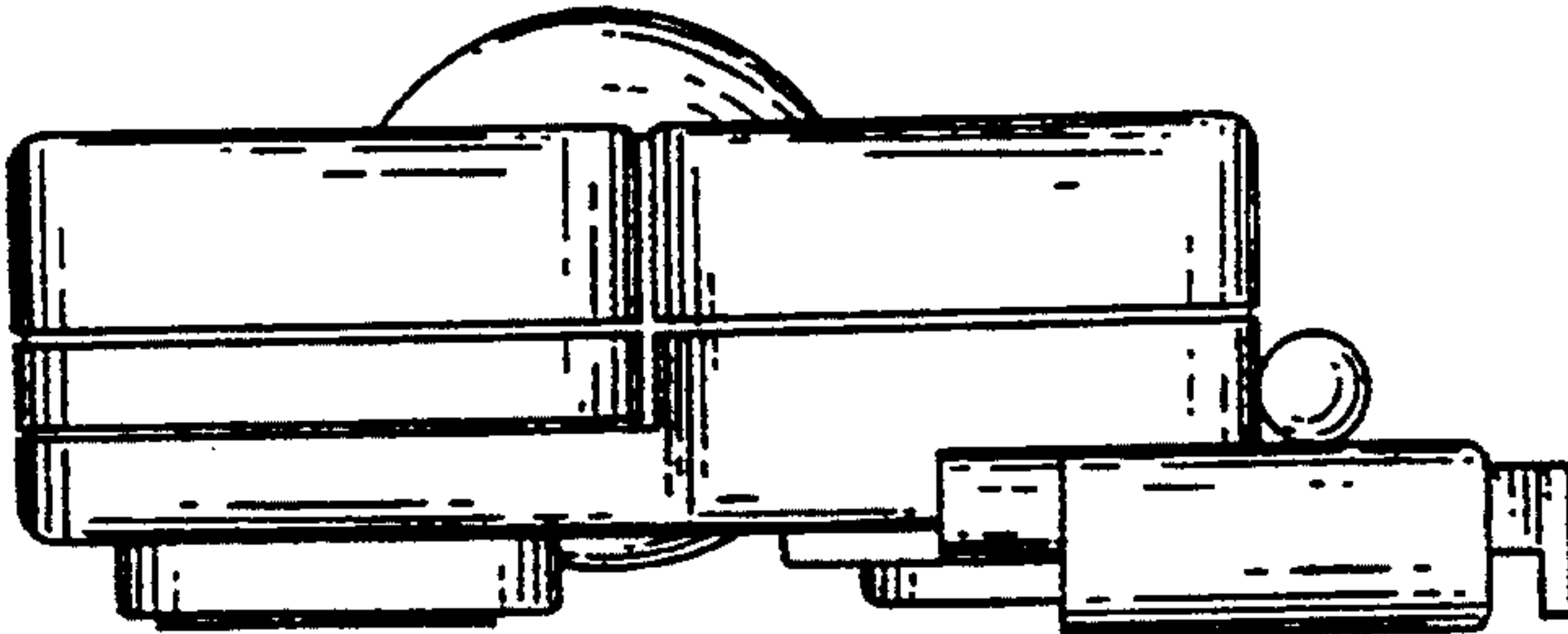


FIG. 6

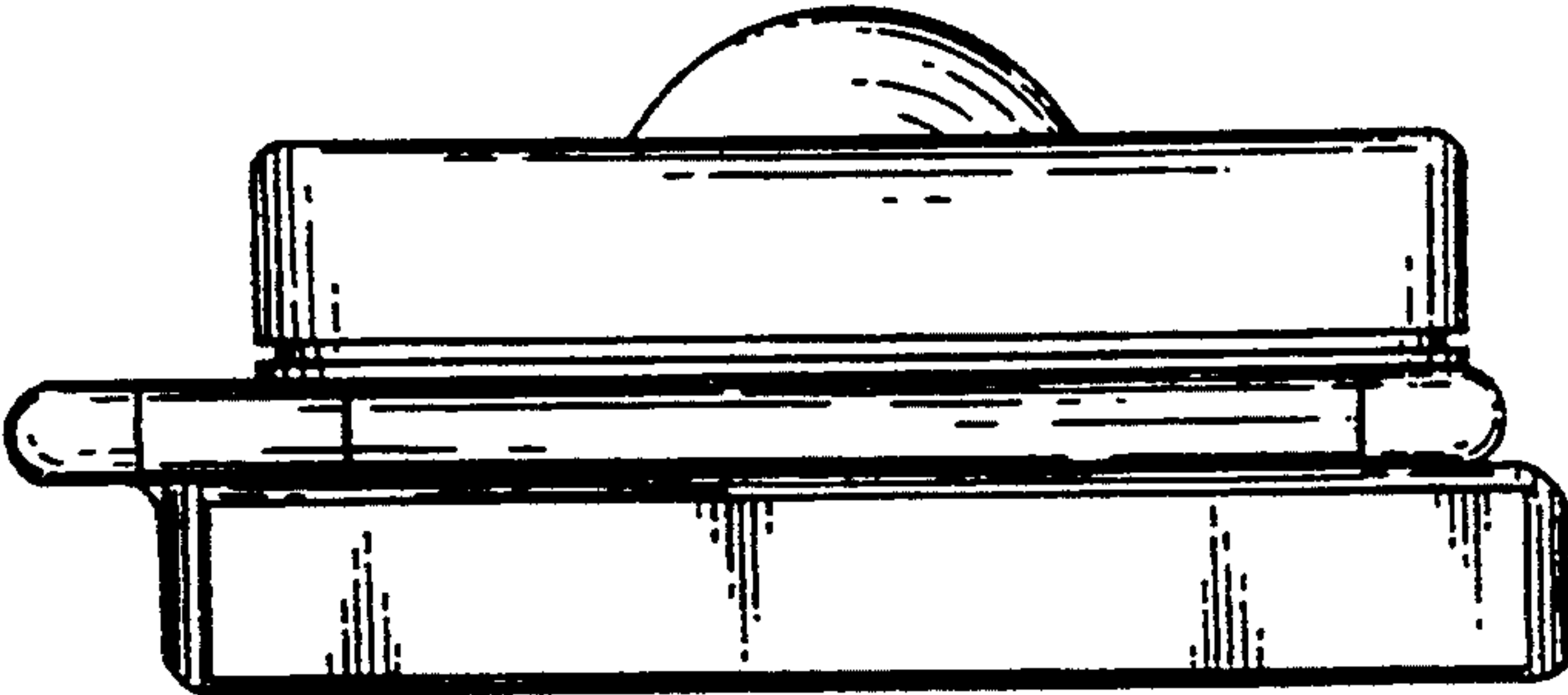


FIG. 7