



US00D353365S

# United States Patent [19]

[11] Patent Number: **Des. 353,365**

Marach

[45] Date of Patent: **\*\* Dec. 13, 1994**

## [54] DIN RAIL MOUNTING DISCONNECT TERMINAL BLOCK

[75] Inventor: **David R. Marach, Marengo, Ill.**

[73] Assignee: **Cooper Industries, Inc., Houston, Tex.**

[\*\*] Term: **14 Years**

[21] Appl. No.: **5,381**

[22] Filed: **Mar. 3, 1993**

[52] U.S. Cl. .... **D13/147; D13/151**

[58] Field of Search ..... **439/121, 131, 532, 709, 439/712, 721, 722, 723; D13/146, 147, 151**

## [56] References Cited

### U.S. PATENT DOCUMENTS

D. 151,670	11/1948	Adams et al. ....	D13/146
D. 238,366	1/1976	Fujita et al. ....	D13/146
D. 334,914	4/1993	Walter et al. ....	D13/147 X
4,057,312	11/1977	Hagermo ....	439/121 X
4,472,011	9/1984	Durkop ....	439/131
4,808,114	2/1989	Mohri et al. ....	439/712 X
5,145,418	9/1992	Moranski et al. ....	439/712 X

## FOREIGN PATENT DOCUMENTS

278430	8/1988	European Pat. Off. ....	439/709
364745	4/1990	European Pat. Off. ....	439/121
443056	8/1991	European Pat. Off. ....	439/121
4013818	10/1991	Germany .....	439/121

*Primary Examiner*—Wallace R. Burke  
*Assistant Examiner*—Joel Sincavage  
*Attorney, Agent, or Firm*—Nelson A. Blish; Eddie E. Scott

## [57] CLAIM

The ornamental design for a DIN rail mounting disconnect terminal block, as shown and described.

## DESCRIPTION

FIG. 1 is a perspective view of a new design for a DIN rail mounting disconnect terminal block; FIG. 2 is a right side elevational view; FIG. 3 is a top plan view; FIG. 4 is a left side elevational view; FIG. 5 is a bottom plan view; FIG. 6 is a front elevational view; and, FIG. 7 is a back elevational view.

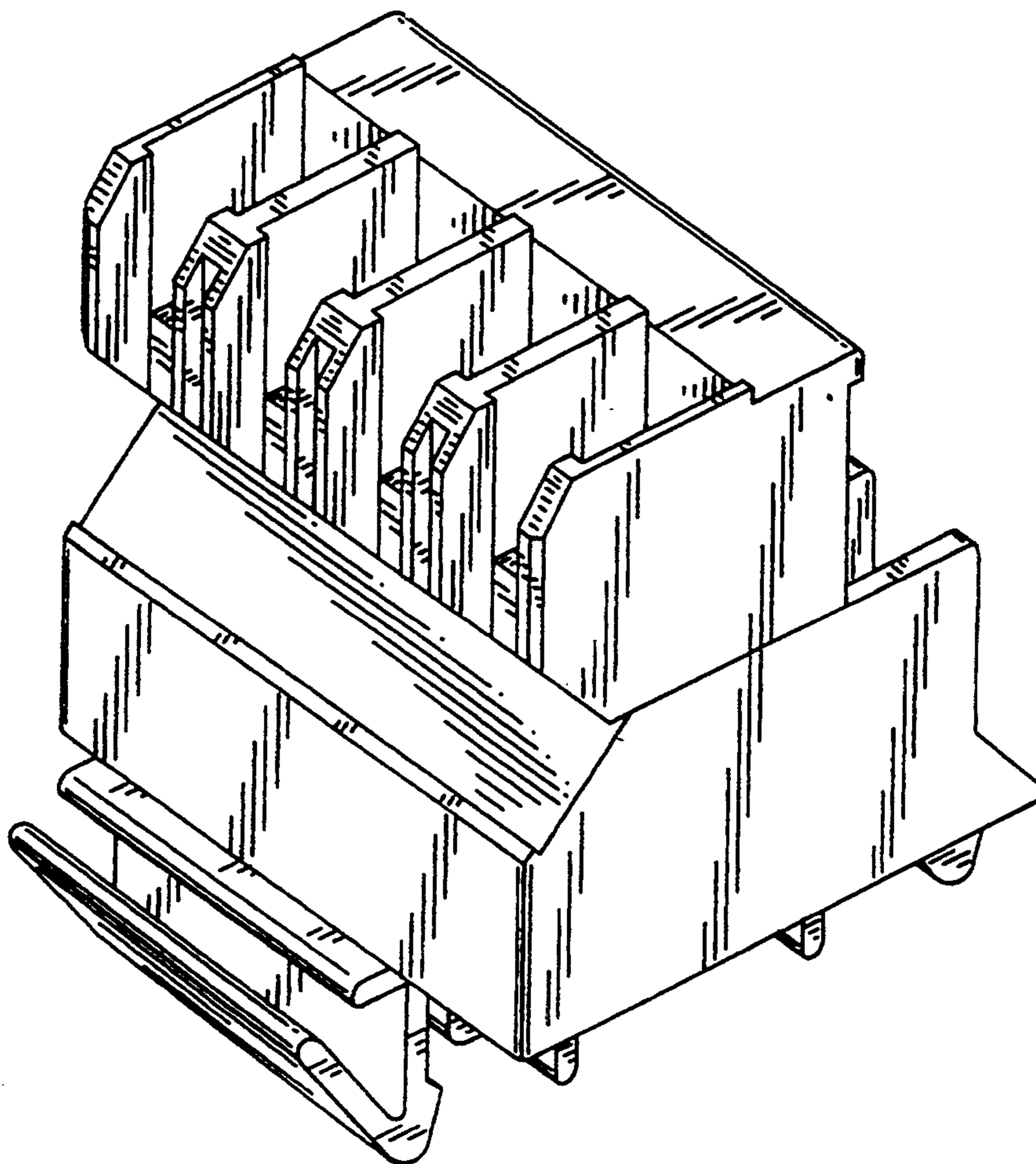


Fig. 1

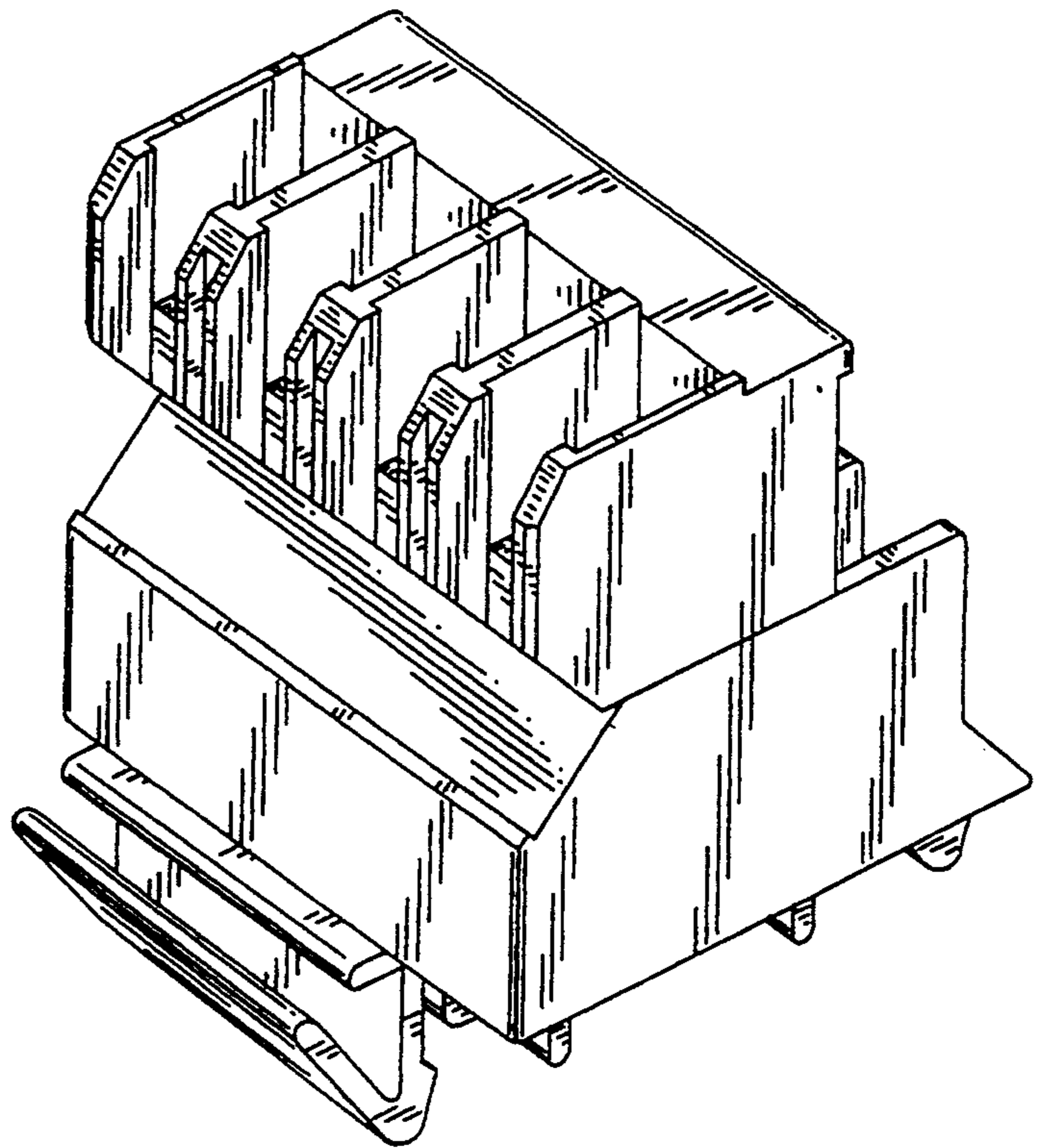


Fig. 2

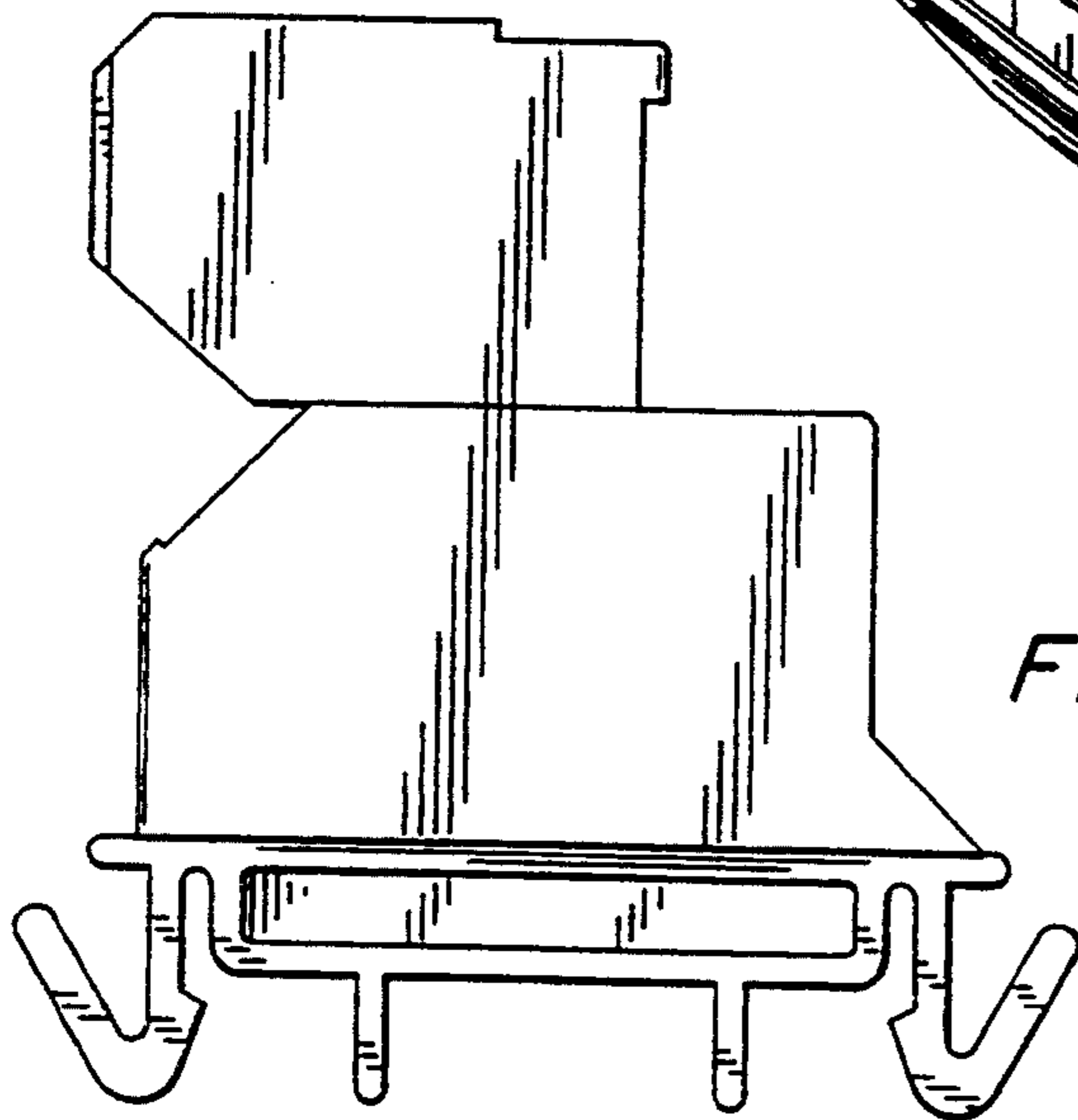
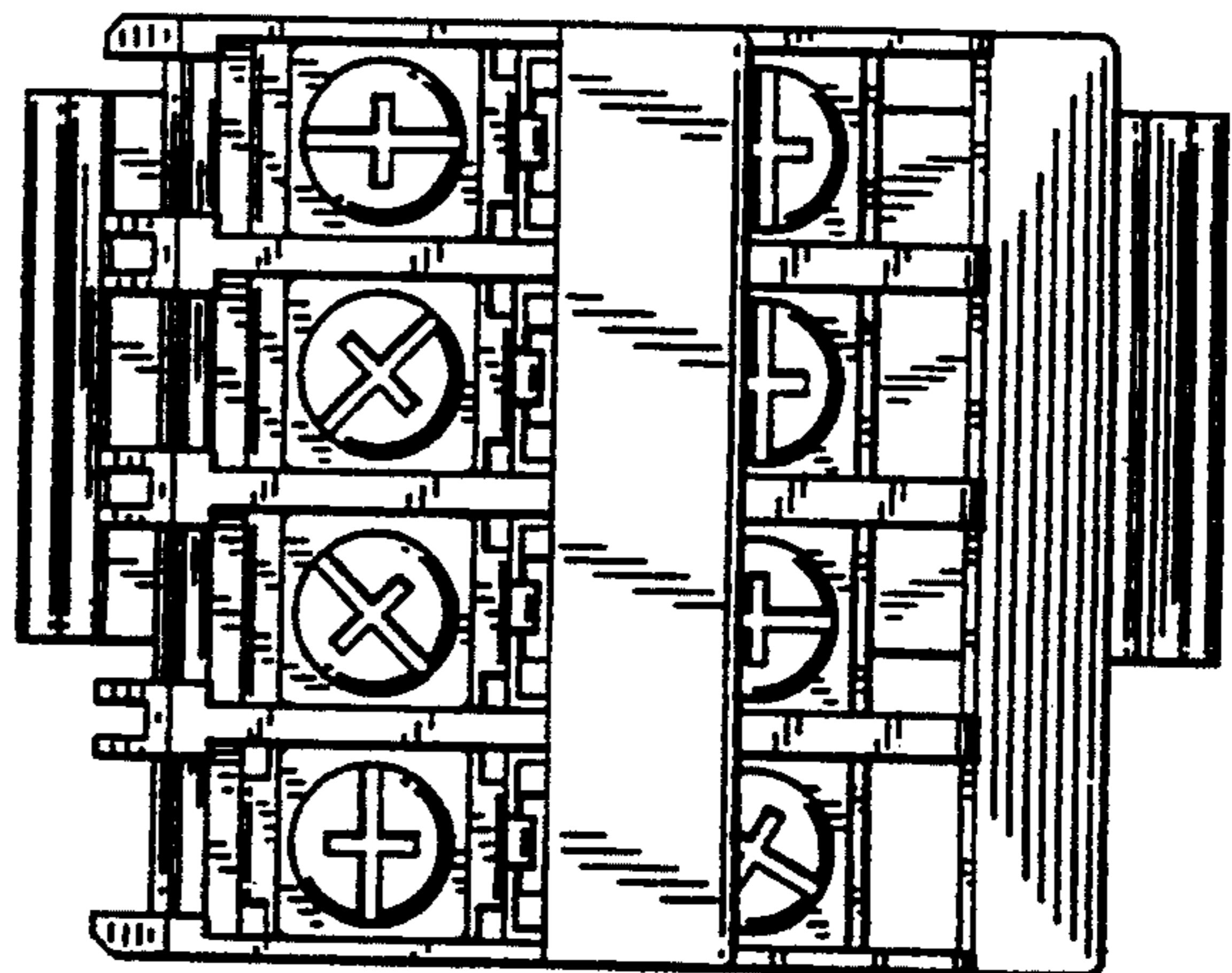


Fig. 3



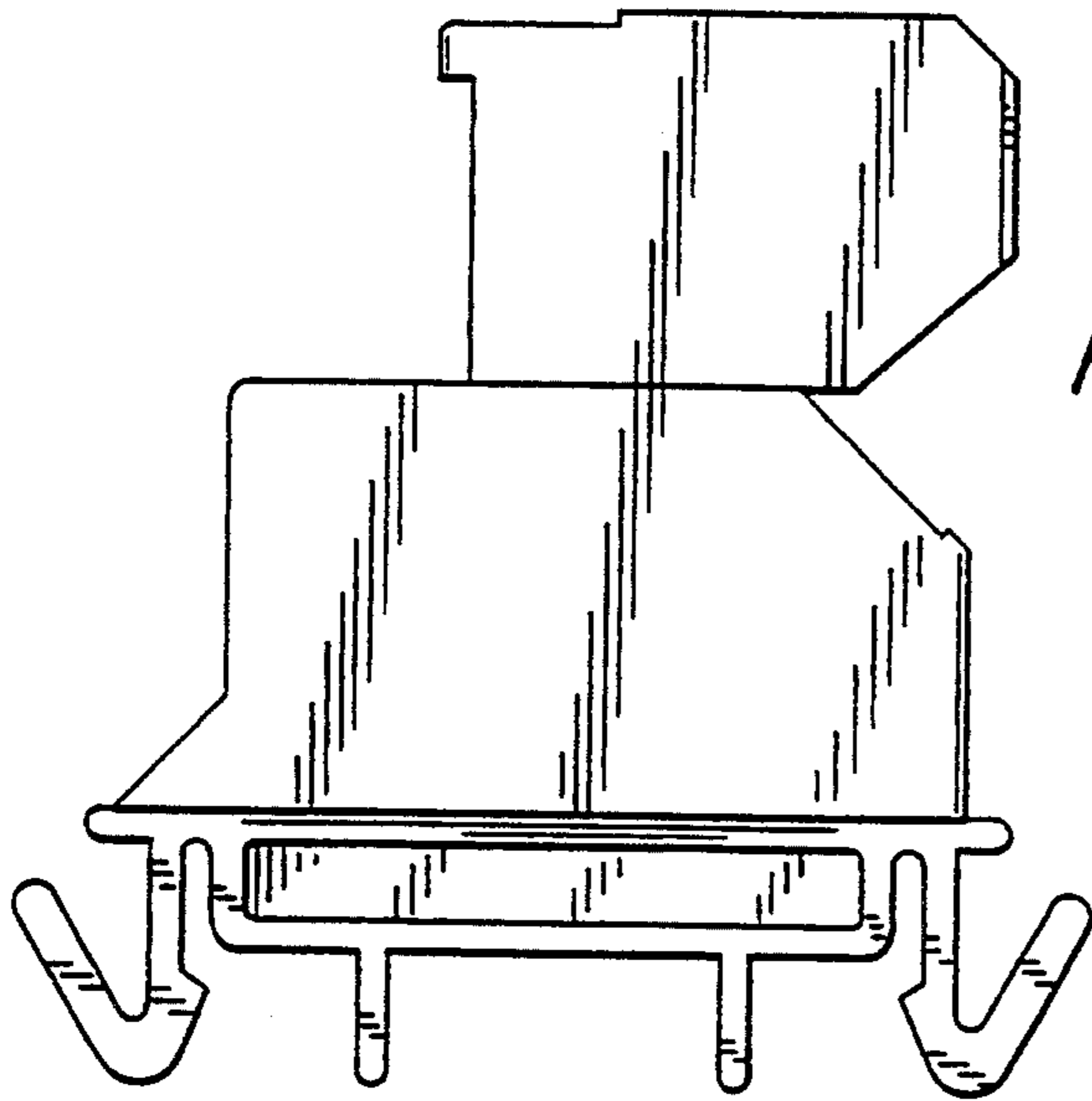


Fig. 4

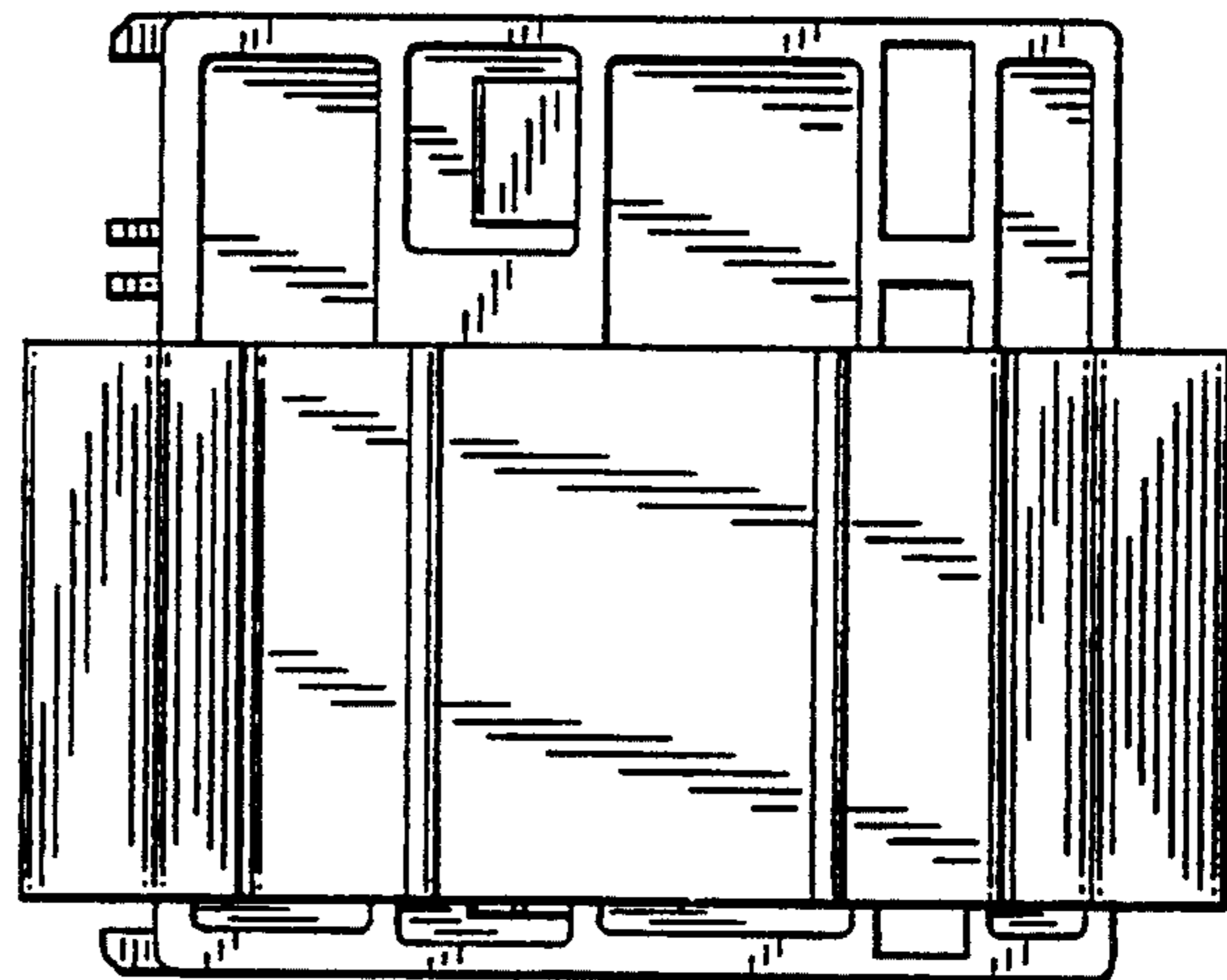


Fig. 5

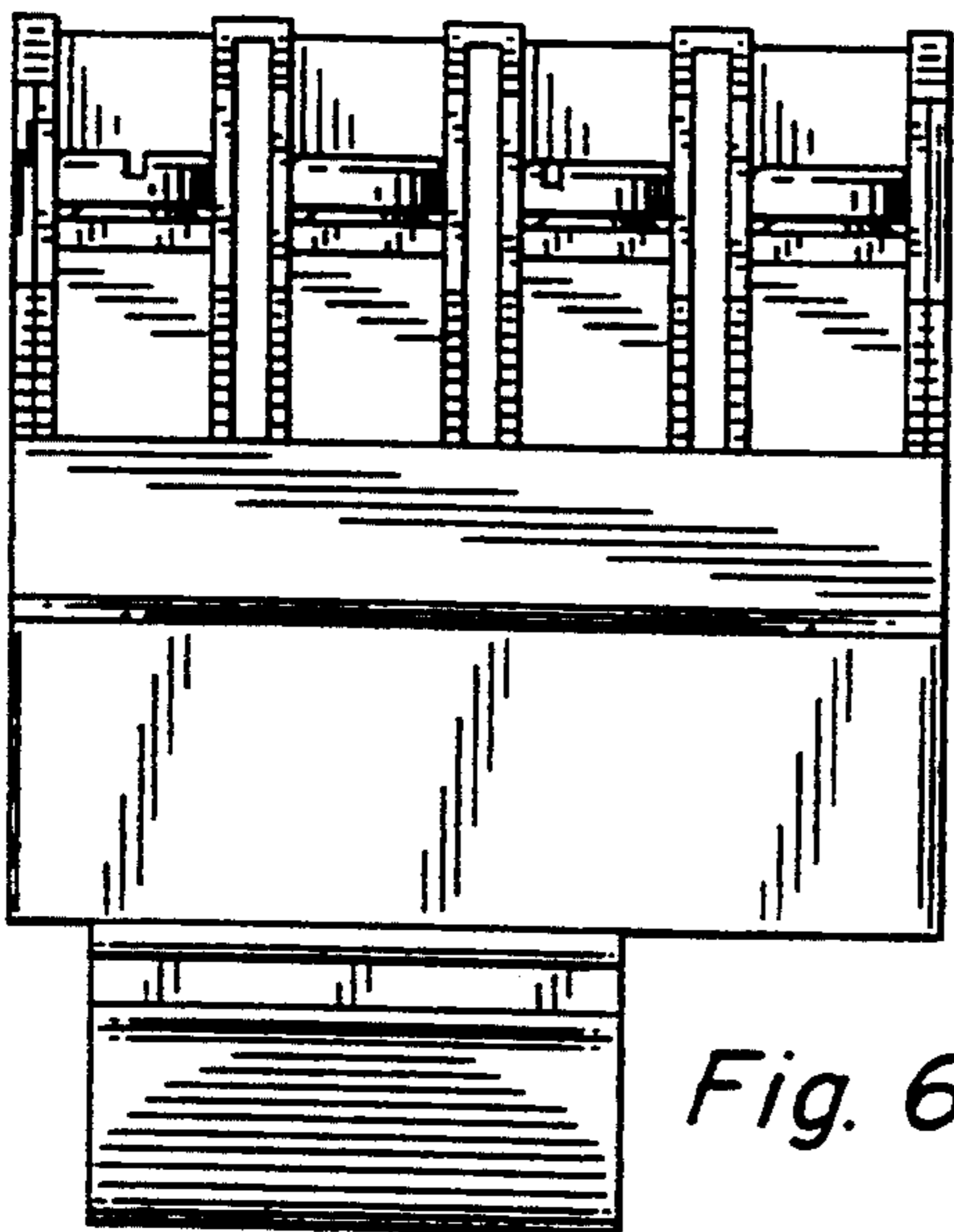


Fig. 6

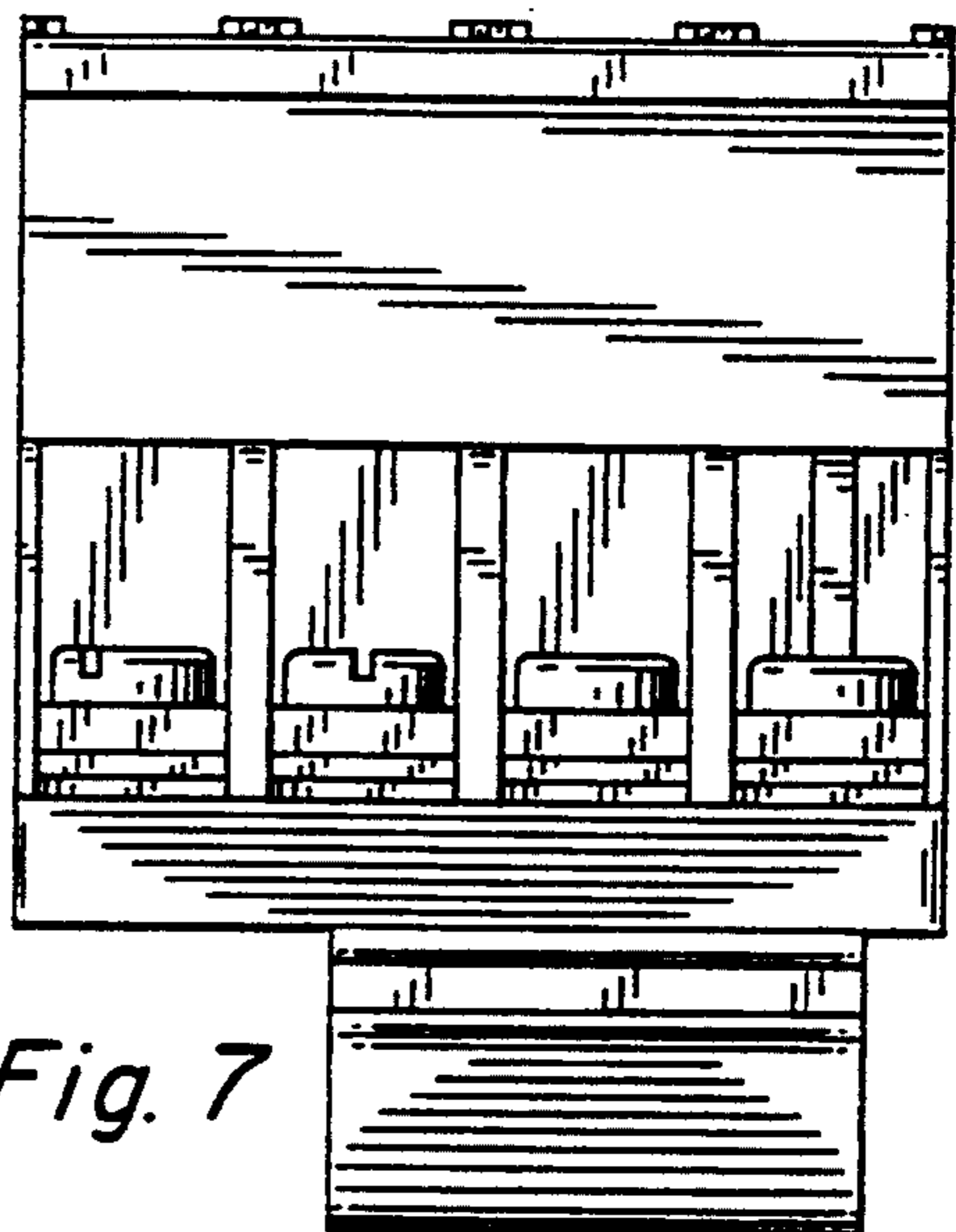


Fig. 7