



US00D353363S

United States Patent [19]

[11] **Patent Number: Des. 353,363**

Toby

[45] **Date of Patent: ** Dec. 13, 1994**

[54] **COUNTER TOP ELECTRICAL OUTLET**

FOREIGN PATENT DOCUMENTS

[76] **Inventor: Kevin L. Toby, 2327 Conger Ave. NW, Olympia, Wash. 98502**

355413 2/1990 European Pat. Off. 409/131
939117 10/1963 United Kingdom 174/67

[**] **Term: 14 Years**

OTHER PUBLICATIONS

[21] **Appl. No.: 6,642**

Raceway electrical unit on p. 128 of *Architectural Record*, Oct. 1990.

[22] **Filed: Apr. 2, 1993**

Primary Examiner—Wallace R. Burke
Assistant Examiner—J. Sincavage
Attorney, Agent, or Firm—Terry M. Gernstein

[52] **U.S. Cl. D13/143**

[58] **Field of Search D8/353; 174/48, 53, 174/66, 67; 439/131, 535; 220/3.3, 3.5, 3.8, 241; D13/137, 143, 156**

[57] **CLAIM**

The ornamental design for a counter top electrical outlet, as shown and described.

[56] **References Cited**

DESCRIPTION

U.S. PATENT DOCUMENTS

D. 327,875	7/1992	Brownlie	D13/156
3,594,693	7/1971	Robbins	439/131
3,686,425	8/1972	Zerwes et al.	174/67 X
4,289,921	9/1981	Gartner et al.	174/67 X
4,603,932	8/1986	Heverly	439/147
4,950,842	8/1990	Menninga	439/147
4,984,982	1/1991	Brownlie et al.	439/131
5,067,907	11/1991	Shotey	439/147
5,230,552	7/1993	Schipper et al.	439/131 X

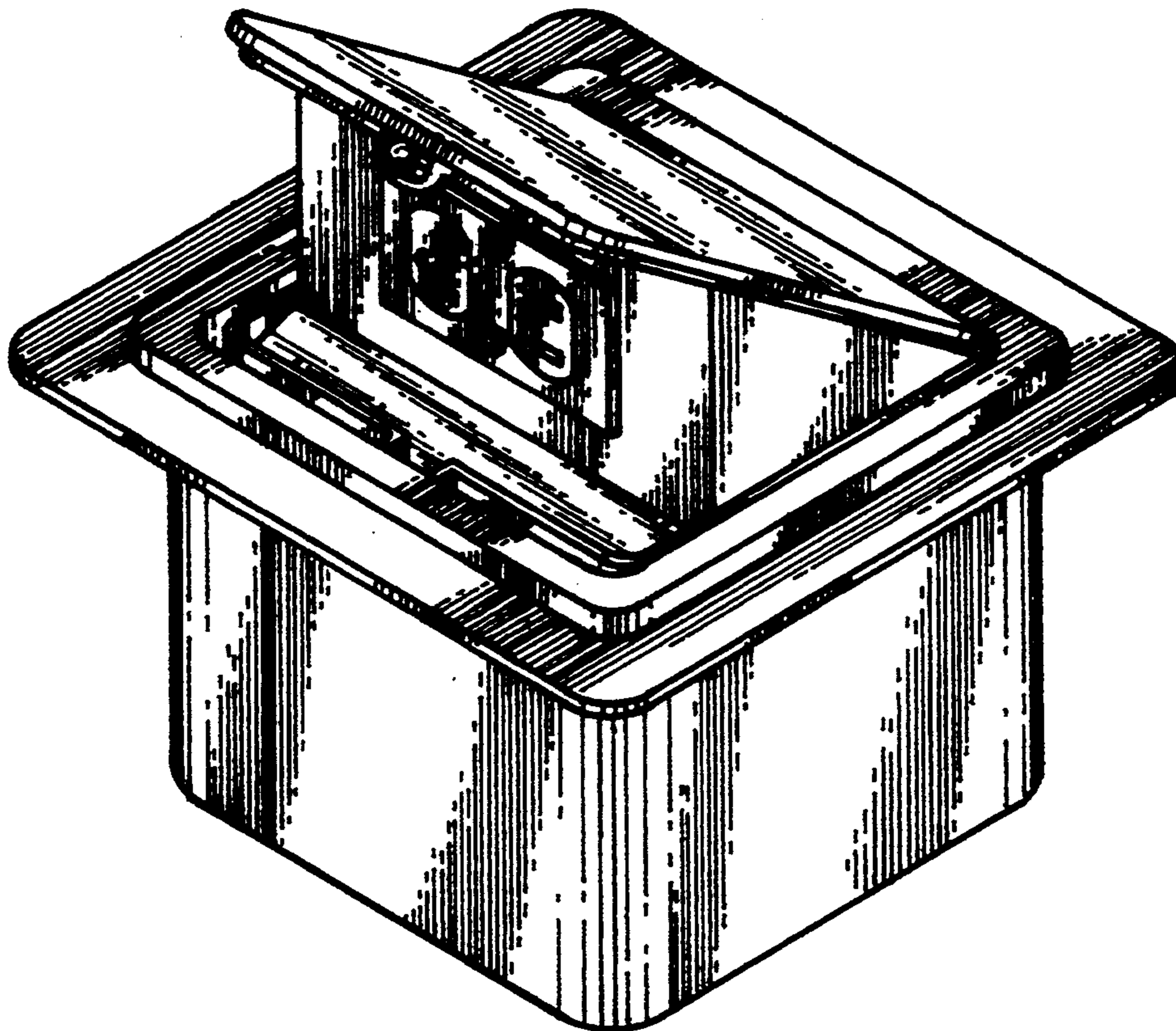
FIG. 1 is a front, top and side perspective view of the counter top electrical outlet showing my new design, in the open condition;

FIG. 2 is a front elevational view of the counter top electrical outlet showing my new design in the closed position;

FIG. 3 is a side elevational view thereof, the side opposite being a mirror image of the side shown in FIG. 3;

FIG. 4 is a top plan view thereof; and,

FIG. 5 is a bottom plan view thereof.



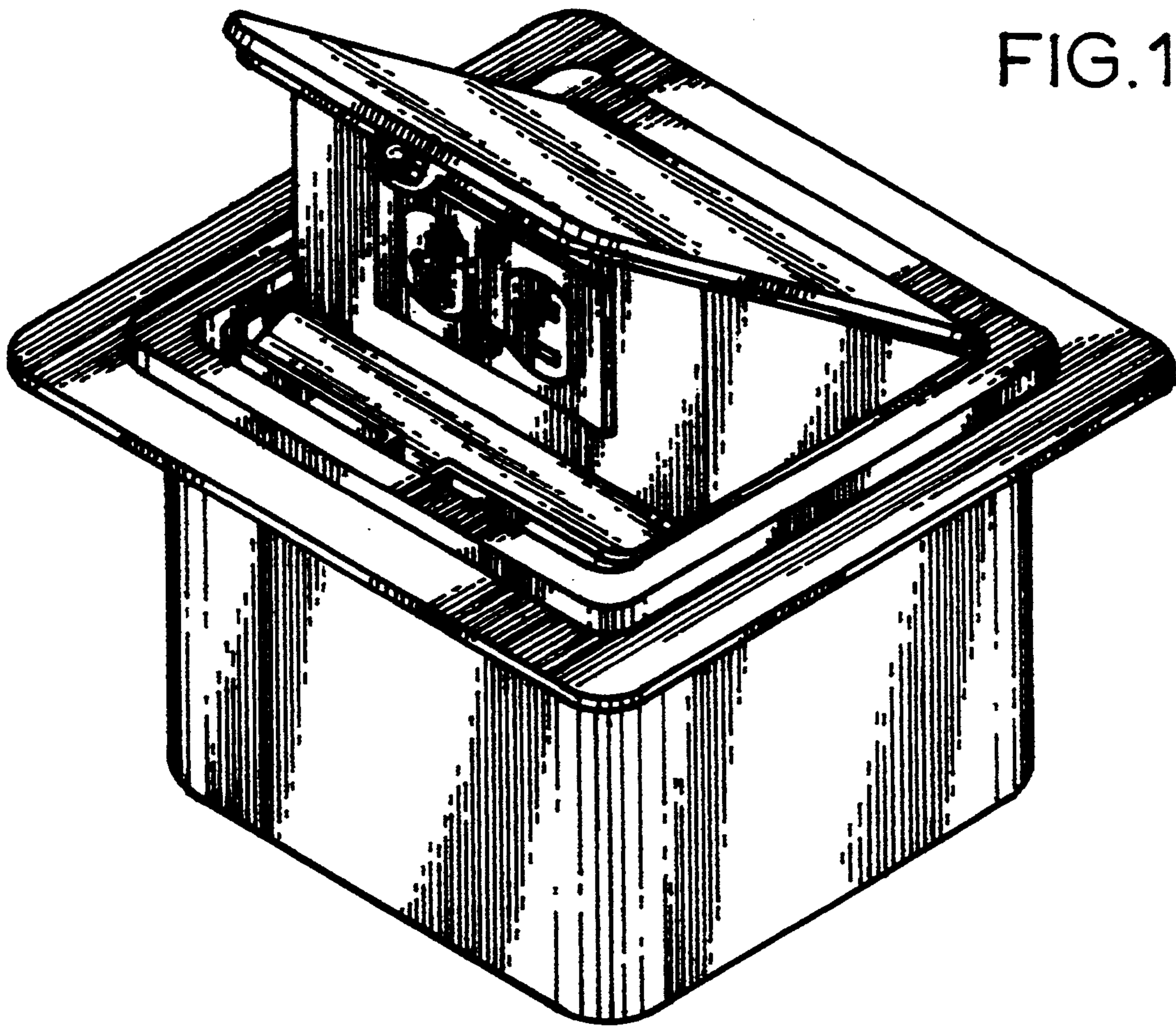


FIG. 1

FIG. 2

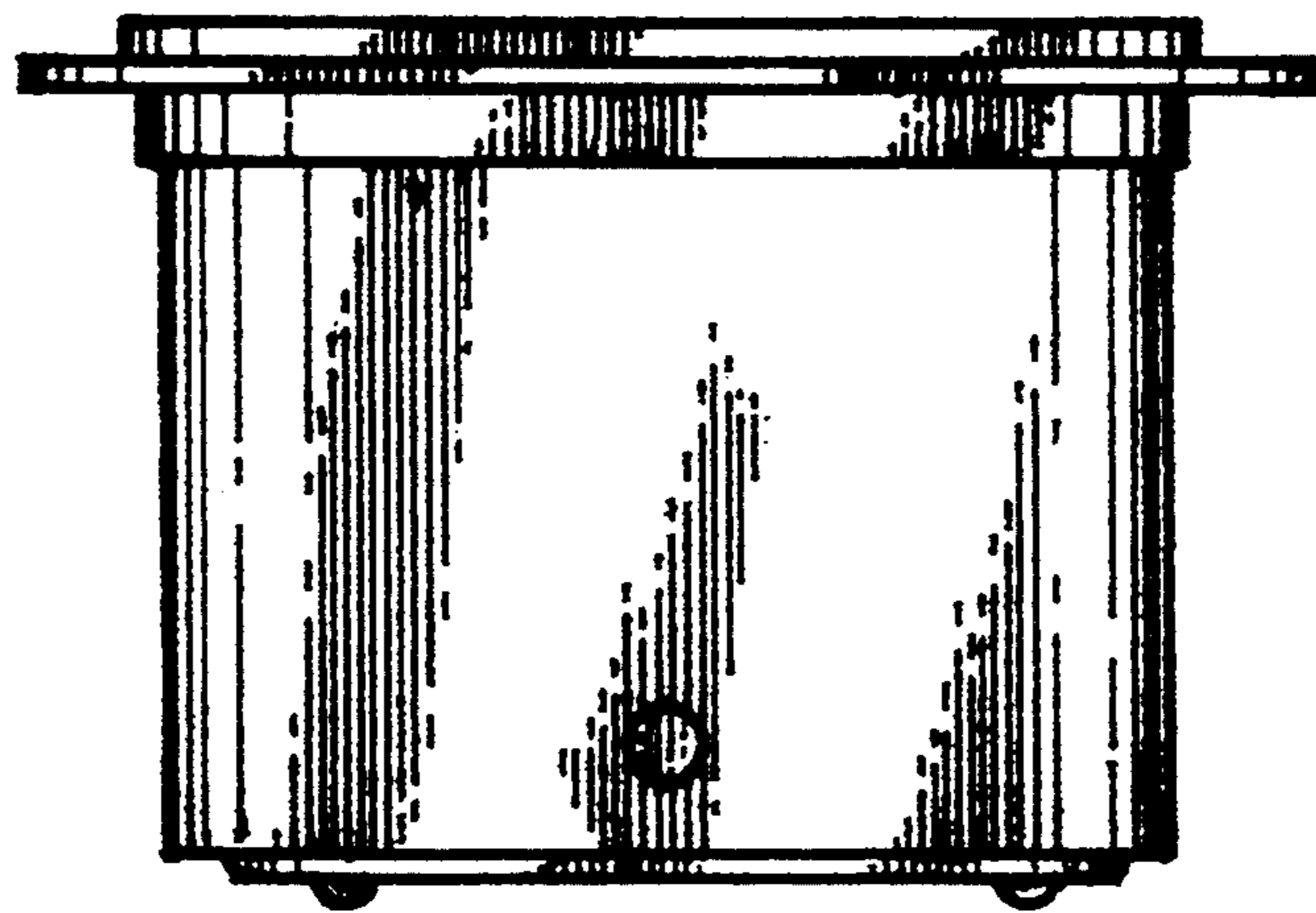
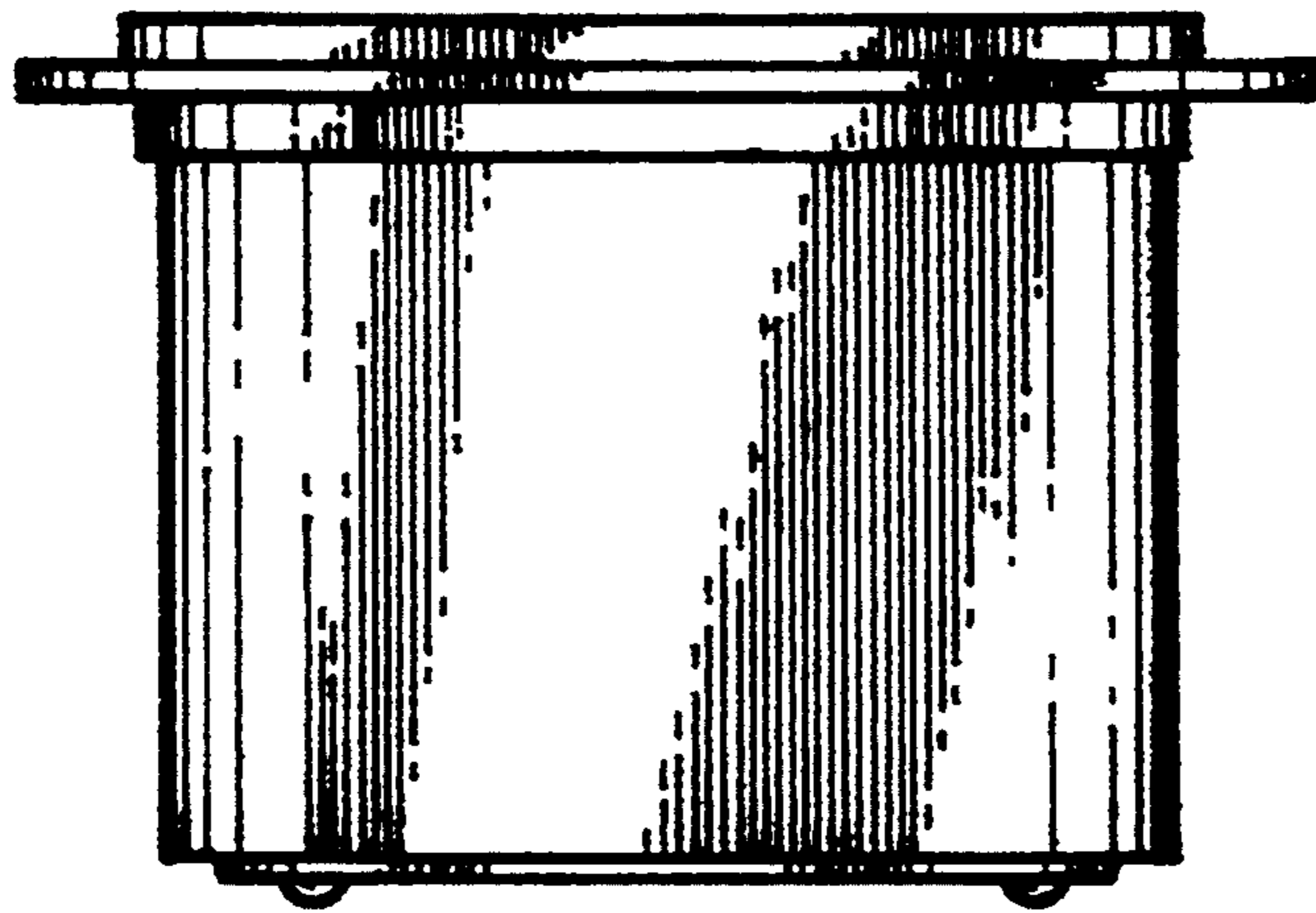


FIG. 3

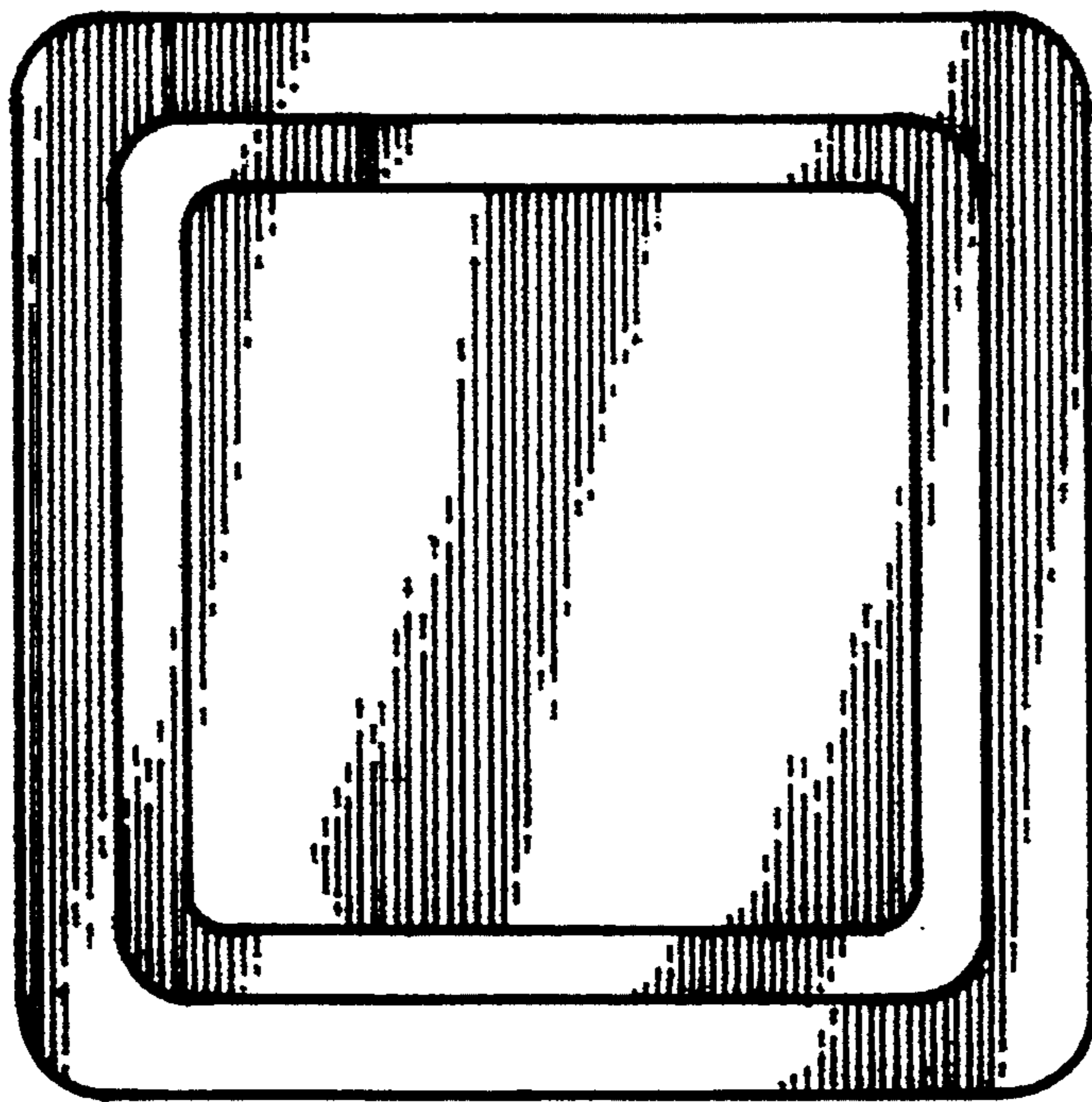


FIG. 4

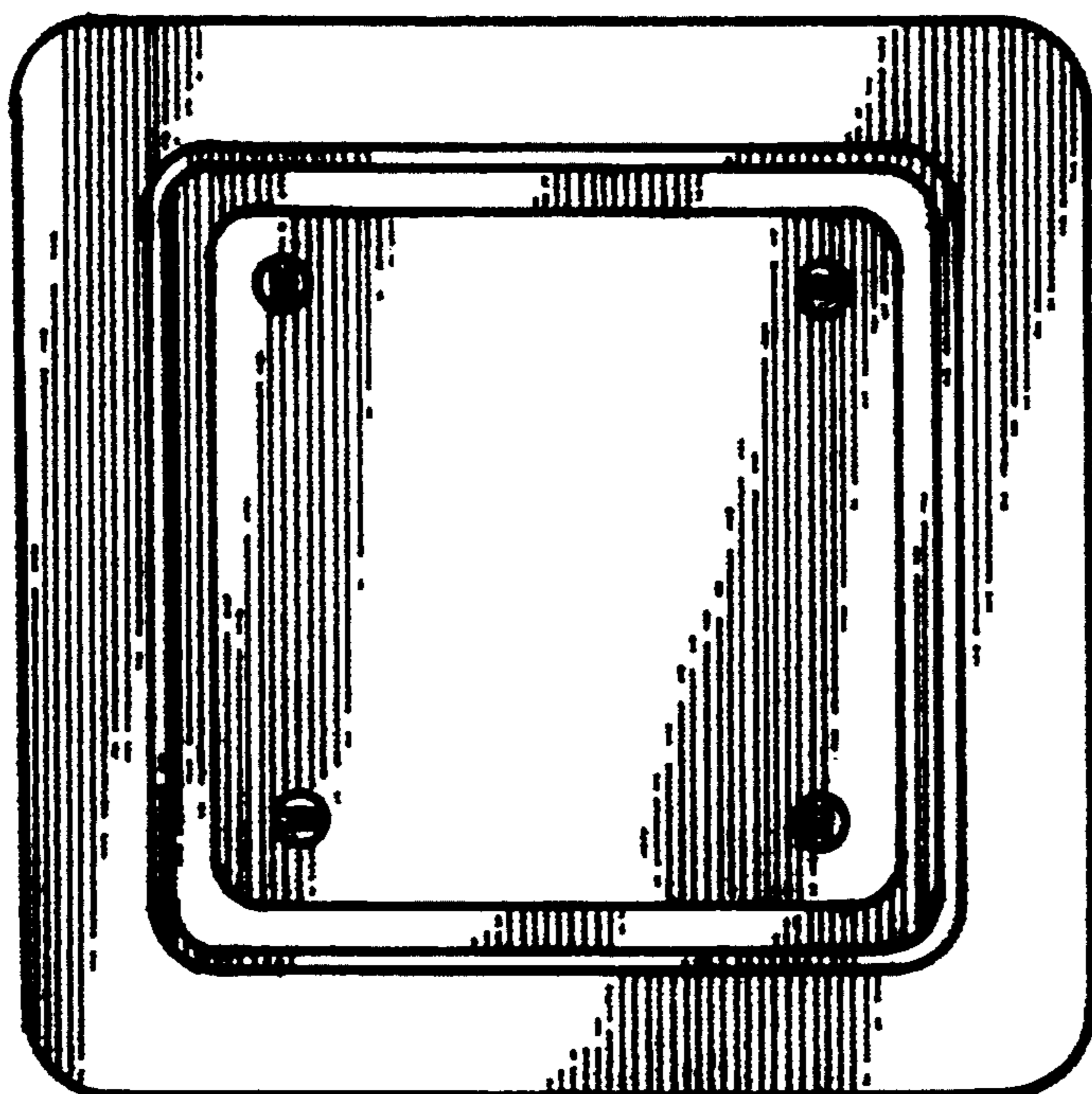


FIG. 5