



US00D353362S

# United States Patent [19]

[11] Patent Number: **Des. 353,362**

**Dolson et al.**

[45] Date of Patent: **\*\* Dec. 13, 1994**

[54] **PLUG FOR AN ELECTRICAL CORD**

[75] Inventors: **Micheal D. Dolson**, Brockville; **Tibor Maknyik**, Richmond Hill, both of Canada

[73] Assignee: **Black & Decker Inc.**, Newark, Del.

[\*\*] Term: **14 Years**

[21] Appl. No.: **12,180**

[22] Filed: **Aug. 26, 1993**

[52] U.S. Cl. .... **D13/141**

[58] Field of Search ..... 439/90, 108, 577, 600, 439/606, 679, 692; D13/137, 138, 141

[56] **References Cited**

**U.S. PATENT DOCUMENTS**

- D. 257,035 9/1980 Ostrelch et al. .... D13/138
- 3,185,953 5/1965 Prifogle ..... 439/679
- 4,767,181 8/1988 McEowen ..... 439/577 X

**FOREIGN PATENT DOCUMENTS**

1801954 6/1979 Germany ..... 439/600

*Primary Examiner*—Joel Sincavage  
*Attorney, Agent, or Firm*—Barry E. Deutsch

[57] **CLAIM**

The ornamental design for the plug for an electrical cord, as shown and described.

**DESCRIPTION**

FIG. 1 is a perspective view of a plug for an electrical cord showing our new design;  
 FIG. 2 is a top plan view thereof;  
 FIG. 3 is a rear elevational view thereof;  
 FIG. 4 is a left side elevational view thereof with the right side being a mirror image of the illustrated left side;  
 FIG. 5 is a front elevational view thereof; and,  
 FIG. 6 is a bottom plan view thereof.

The broken line showing of the strain reliever and cord in FIGS. 1, 2, 4 and 6 is included for the purpose of illustrating environmental structure only and forms no part of the claimed design.

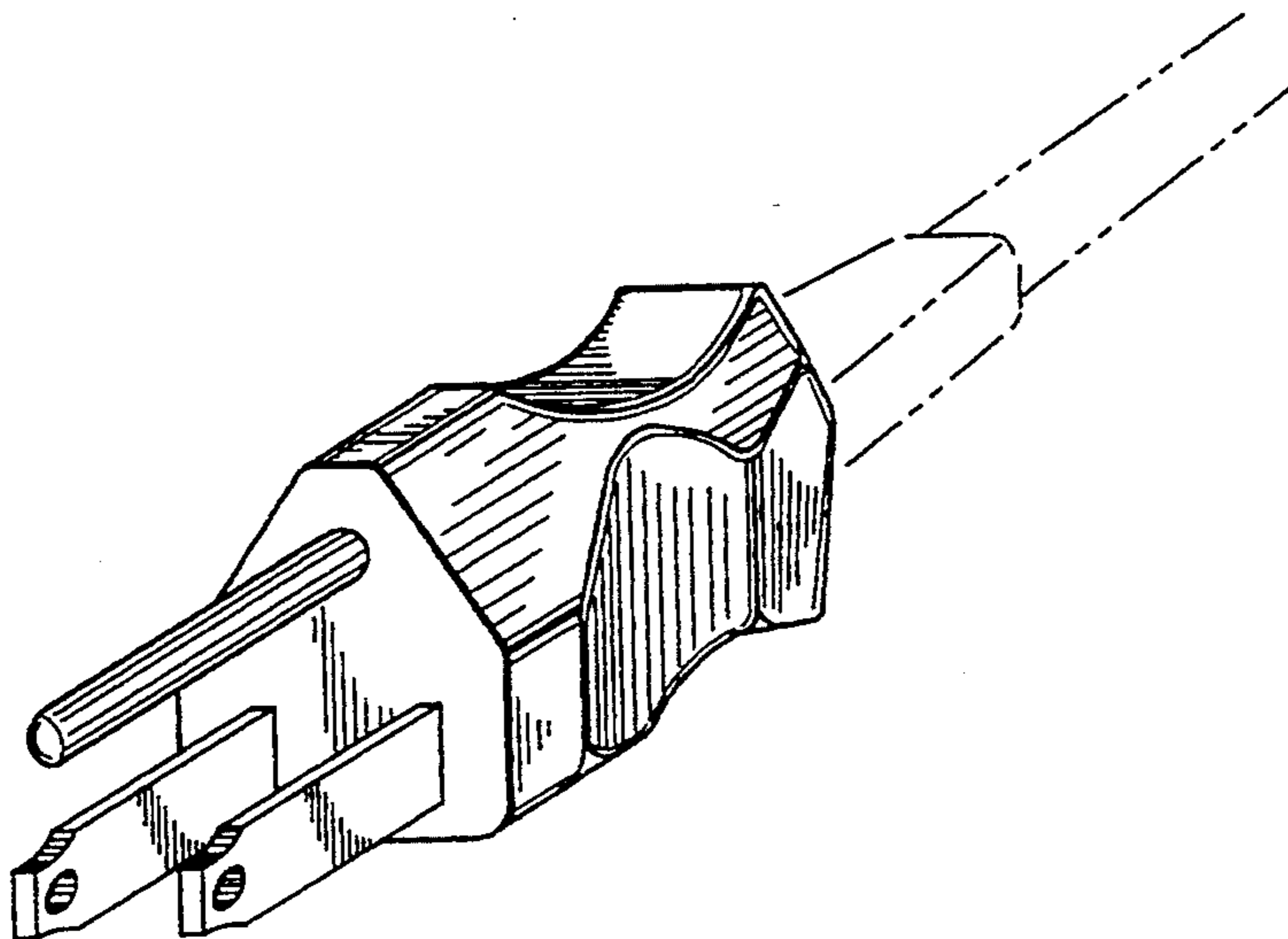


FIG. 1

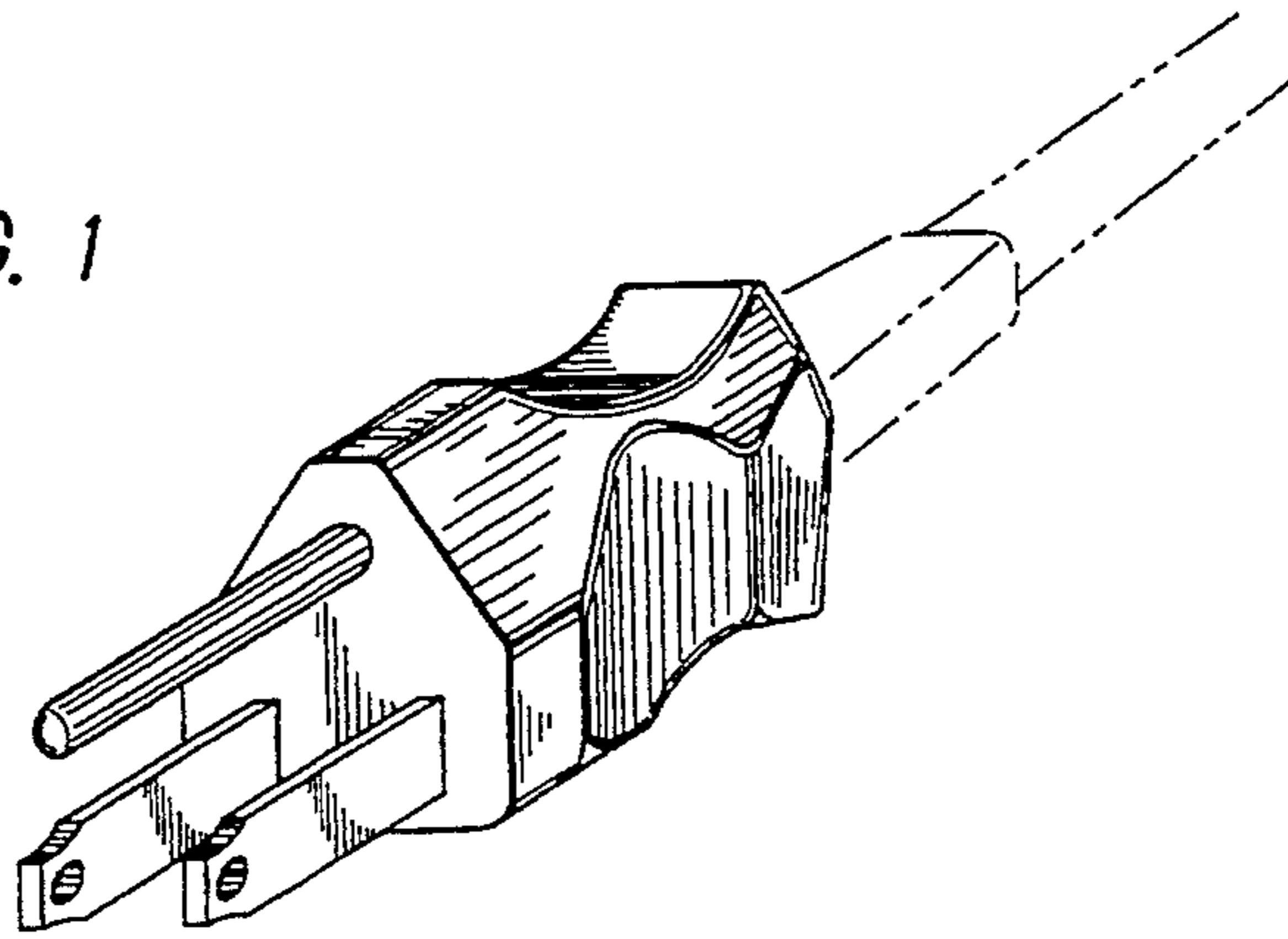


FIG. 2

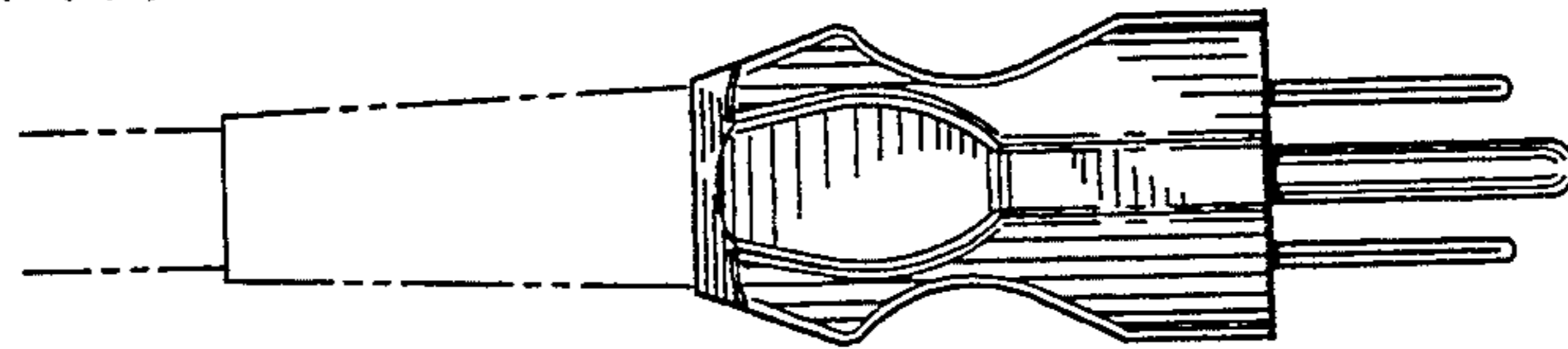


FIG. 3

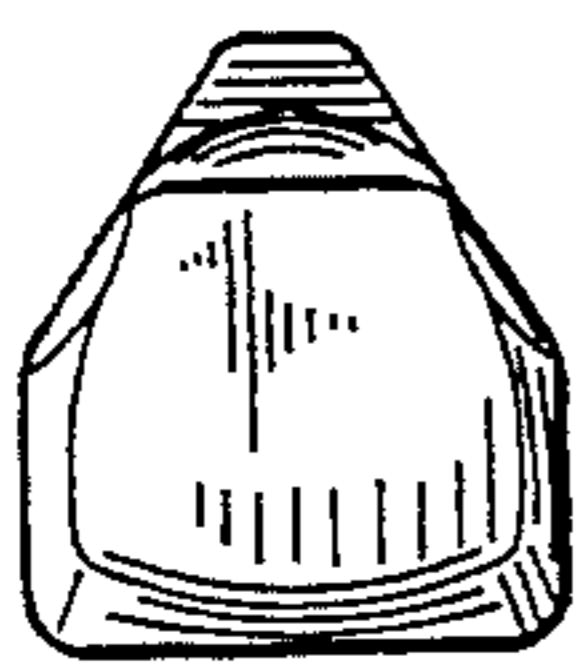


FIG. 4

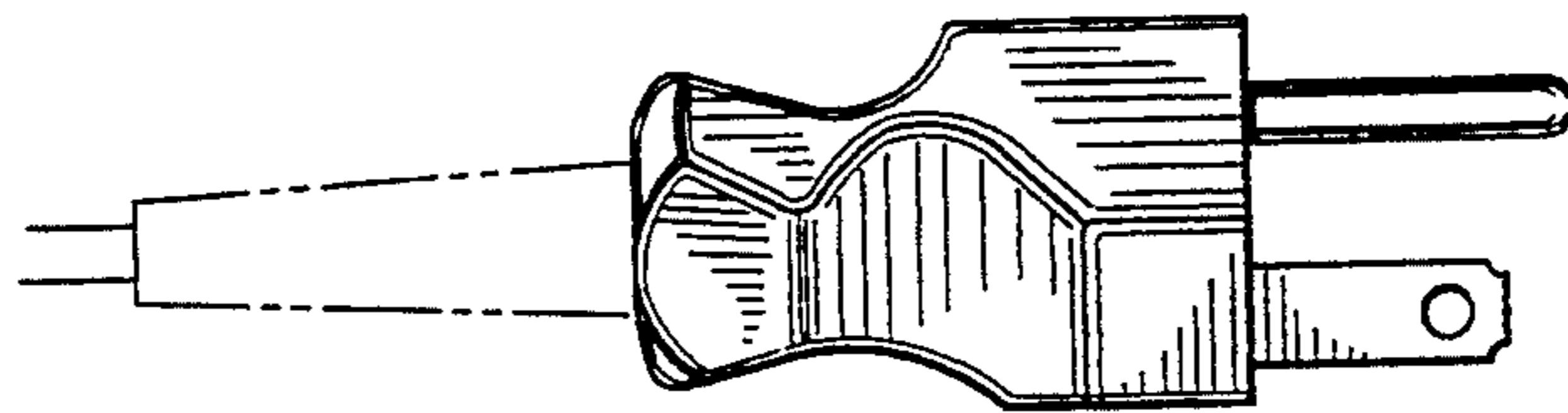


FIG. 5

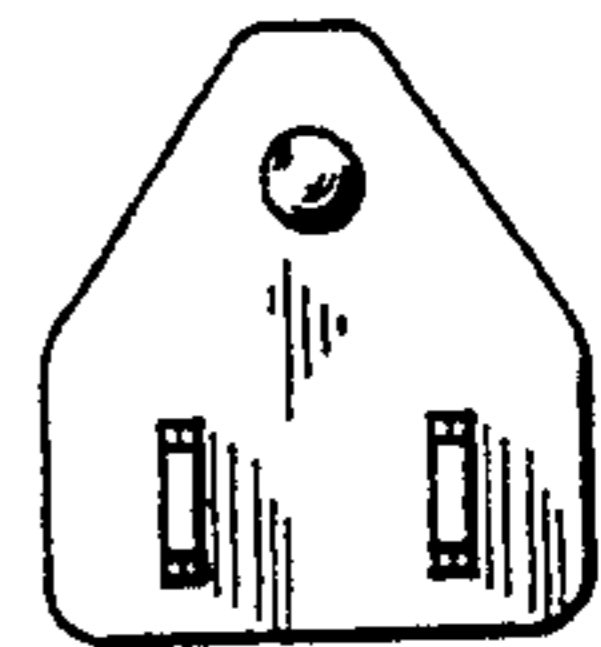


FIG. 6

