



US00D353359S

United States Patent [19]

[11] Patent Number: **Des. 353,359**

Lee

[45] Date of Patent: **** Dec. 13, 1994**

[54] **VEHICLE WINDSHIELD WIPER UNIT CONNECTOR**

5,209,441 5/1993 Satoh 248/68.1

[76] Inventor: **Albert Lee**, 232 Margate Rd., Timonium, Md. 21093

Primary Examiner—James M. Gandy
Attorney, Agent, or Firm—Birch, Stewart, Kolasch & Birch

[**] Term: **14 Years**

[57] **CLAIM**

[21] Appl. No.: **7,701**

The ornamental design for a vehicle windshield wiper unit connector, as shown and described.

[22] Filed: **Apr. 30, 1993**

[52] U.S. Cl. **D12/220**

[58] Field of Search 15/250.31, 250.32, 250.36, 15/250.38, 250.40, 250.41, 250.42; D8/356, 357, 383; 248/68.1; D12/155

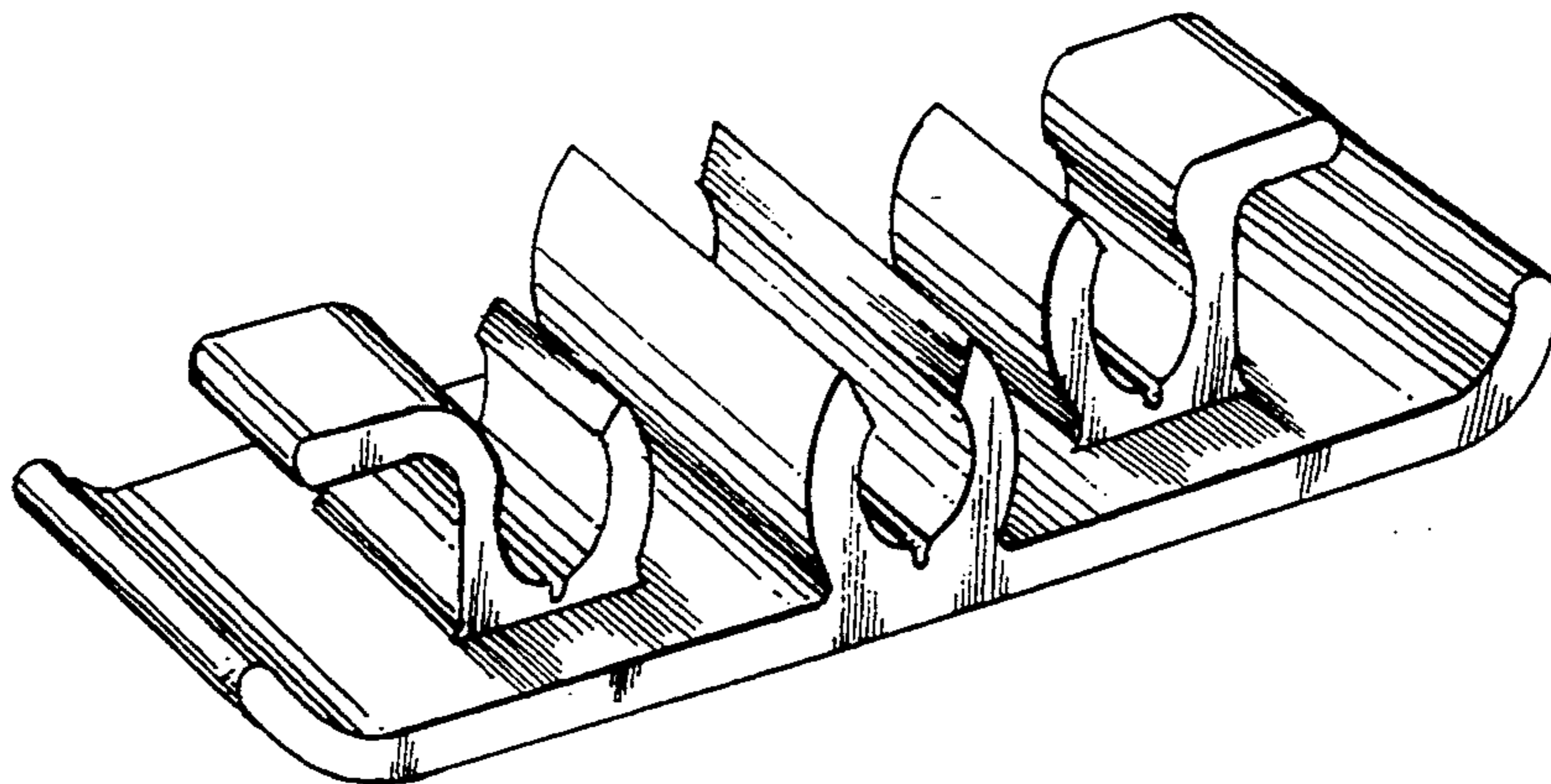
DESCRIPTION

[56] **References Cited**

U.S. PATENT DOCUMENTS

3,254,358	6/1966	Wise	15/250.32
4,324,019	4/1982	Mohnach et al.	15/250.32
4,949,422	8/1990	Bauer et al.	15/250.32
5,084,933	2/1992	Buechele	15/250.42

FIG. 1 is a rear elevational view of a vehicle windshield wiper unit connector showing my new design it being understood that the front is a mirror image thereof; FIG. 2 is a top plan view; FIG. 3 is a bottom plan view thereof; FIG. 4 is an elevational view looking from the right of FIG. 1, the opposite side being a mirror image thereof; and, FIG. 5 is a perspective view thereof in an inverted condition.



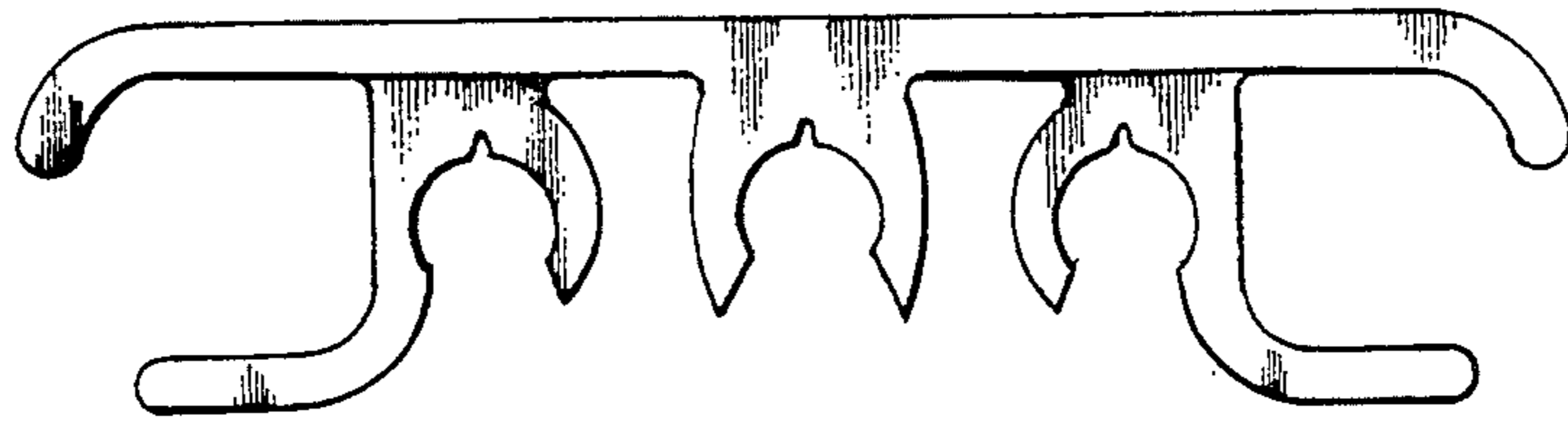


FIG. 1

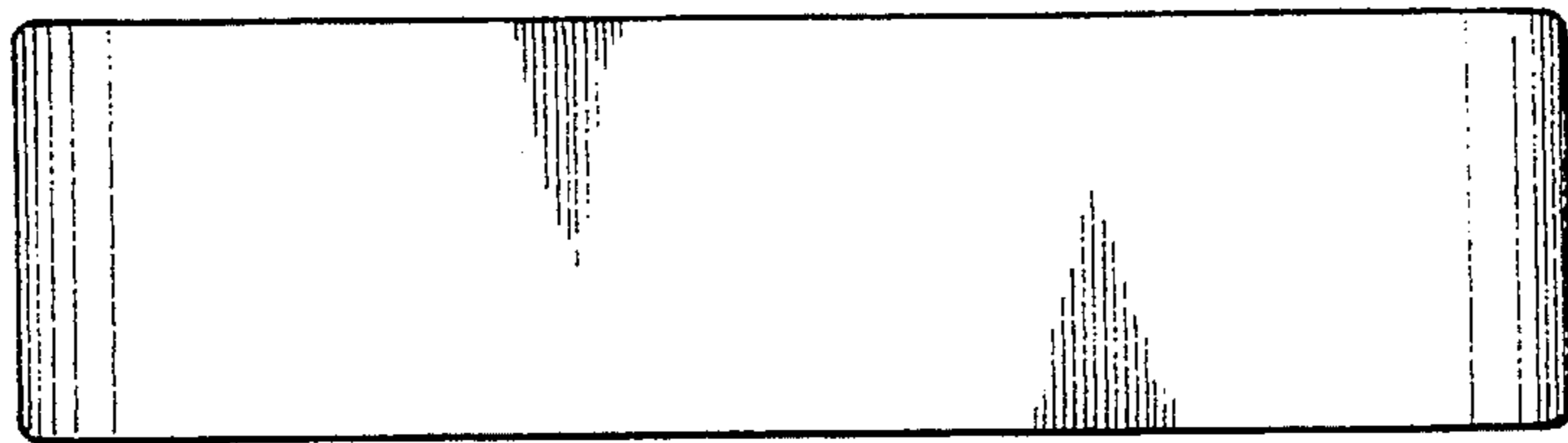


FIG. 2

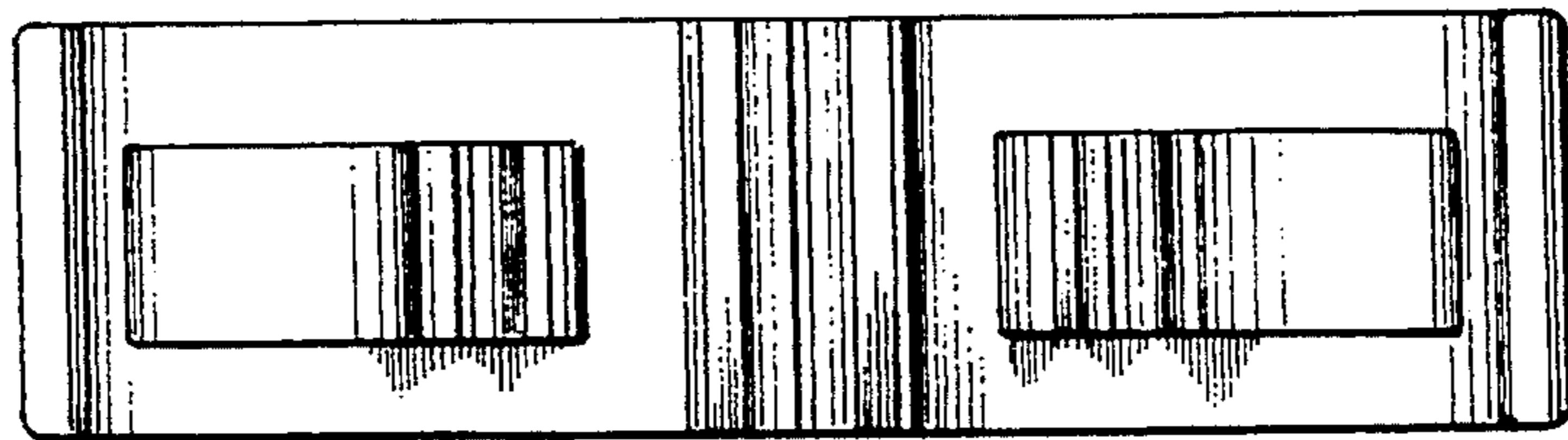


FIG. 3

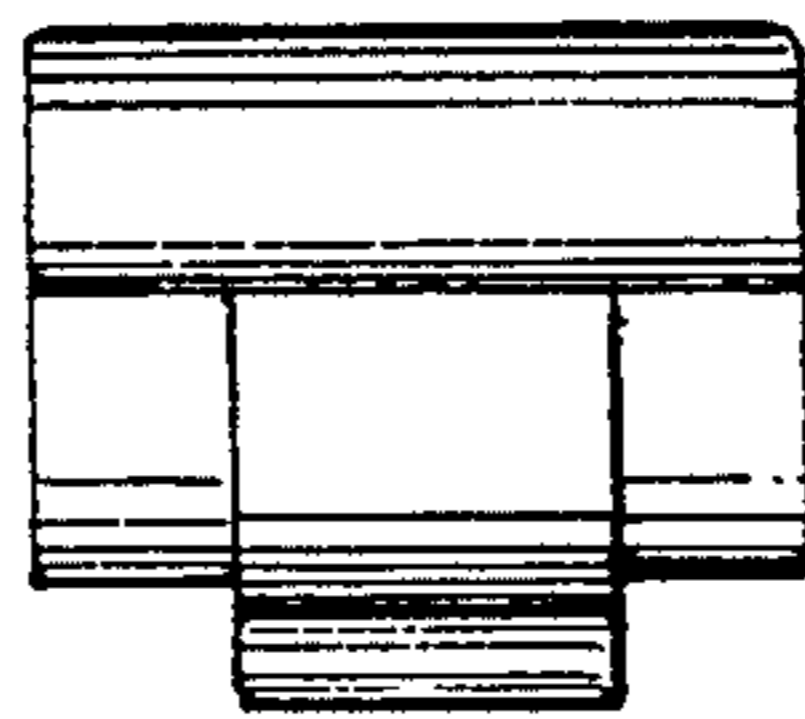


FIG. 4

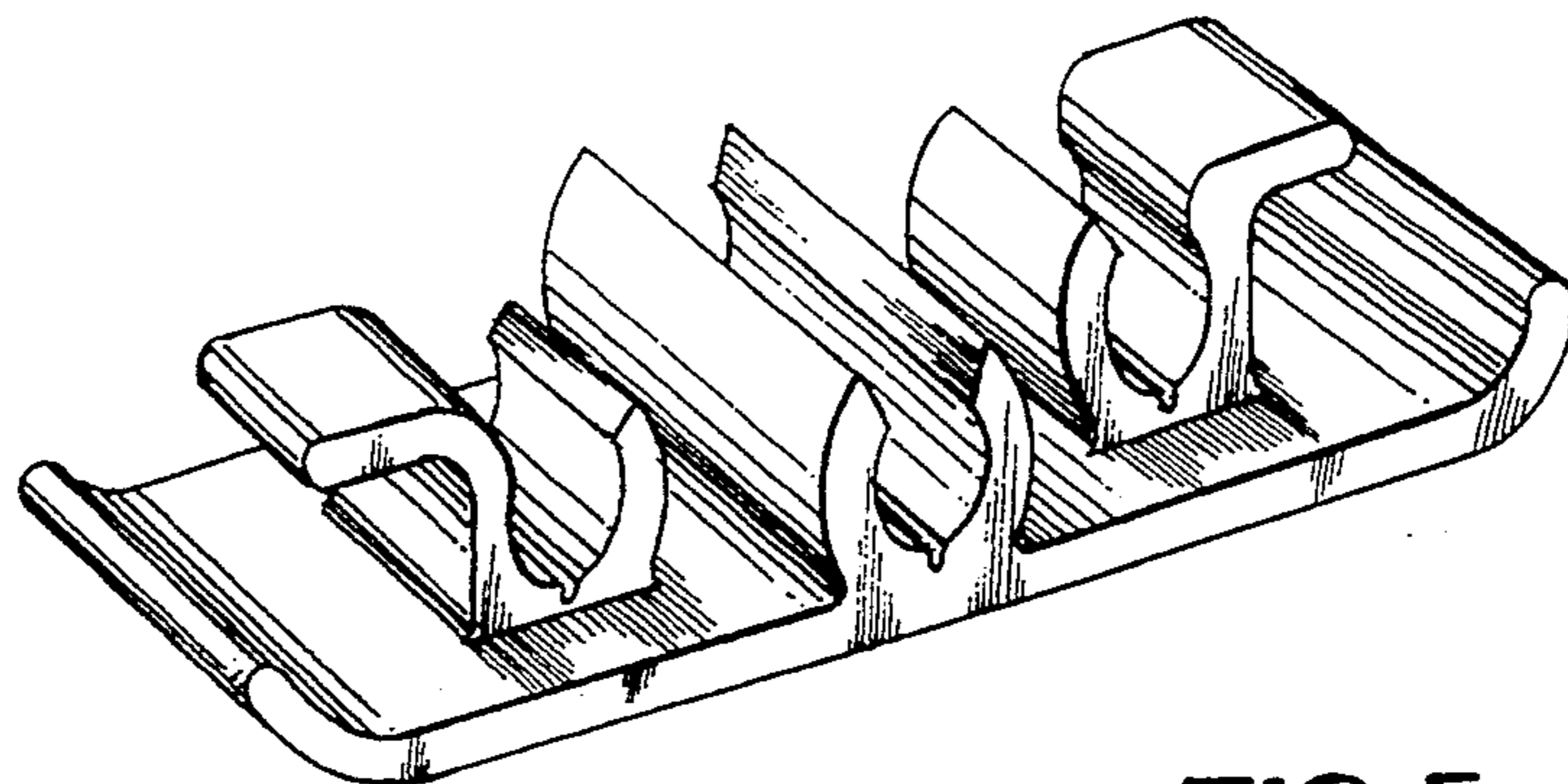


FIG. 5