



US00D353357S

United States Patent [19]

[11] Patent Number: **Des. 353,357**

Weinberg et al.

[45] Date of Patent: **** Dec. 13, 1994**

[54] **GAS FILLER CAP**

[76] Inventors: **David Weinberg; John Herzberg,**
both of 5000 Oakes Rd., Ste. #4, Fort
Lauderdale, Fla. 33314

[**] Term: **14 Years**

[21] Appl. No.: **7,794**

[22] Filed: **May 3, 1993**

[52] U.S. Cl. **D12/197**

[58] Field of Search D9/453; 220/86.2, 86.1;
D12/197

4,986,439 1/1991 Ott et al. 220/334
5,042,678 8/1991 Munguia 220/254
5,071,018 12/1991 Moore 220/86.2
5,158,123 10/1992 Senko 141/338

Primary Examiner—Wallace R. Burke
Assistant Examiner—Melody N. Brown
Attorney, Agent, or Firm—Oltman and Flynn

[57] CLAIM

The ornamental design for a gas filler cap, as shown and described.

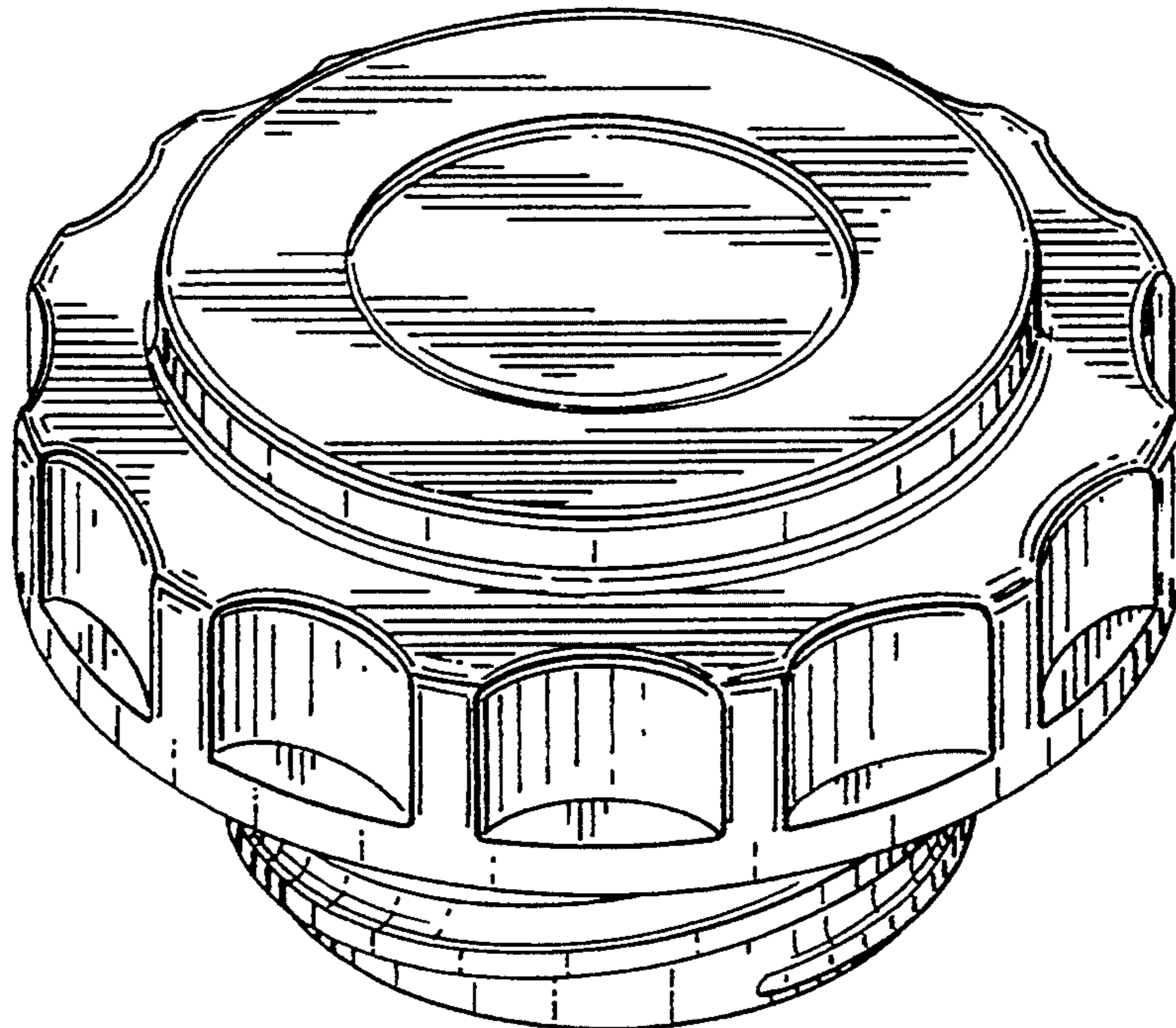
DESCRIPTION

FIG. 1 is a top plan view of a gas filler cap showing our new design;
FIG. 2 is a bottom plan view thereof;
FIG. 3 is a front elevational view thereof;
FIG. 4 is a rear elevational view thereof;
FIG. 5 is a top perspective view thereof; and,
FIG. 6 is a bottom perspective view thereof.
The broken lines shown in the FIGS. 2 and 6 drawing views are for illustrative purposes only and form no part of the claimed design.

[56] **References Cited**

U.S. PATENT DOCUMENTS

D. 250,467	12/1978	O'Banion	D12/197
D. 250,468	12/1978	O'Banion	D12/197
2,663,447	12/1953	Westcott	220/14
4,265,752	5/1981	O'Banion	210/172
4,762,247	8/1988	Temmesfeld	220/303
4,881,655	11/1989	Jansky et al.	220/209
4,946,060	8/1990	Sherwood et al.	220/86.2
4,977,936	12/1990	Thompson et al.	141/312



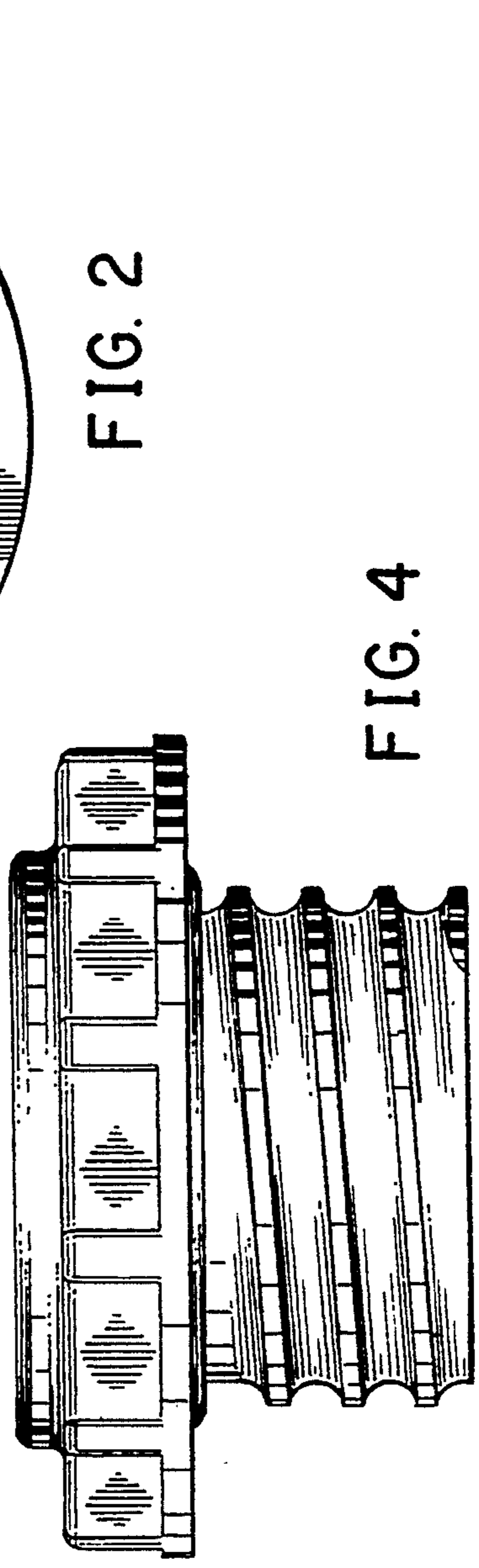
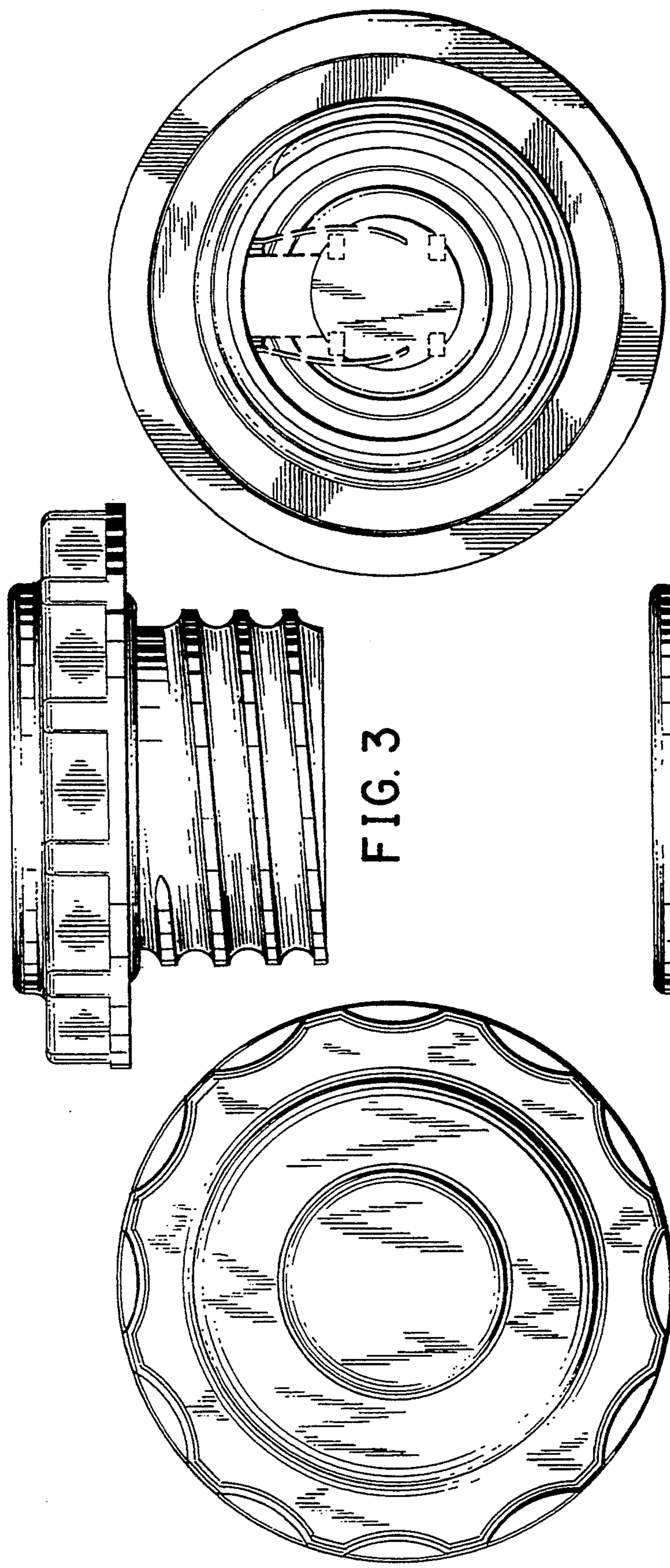


FIG. 6

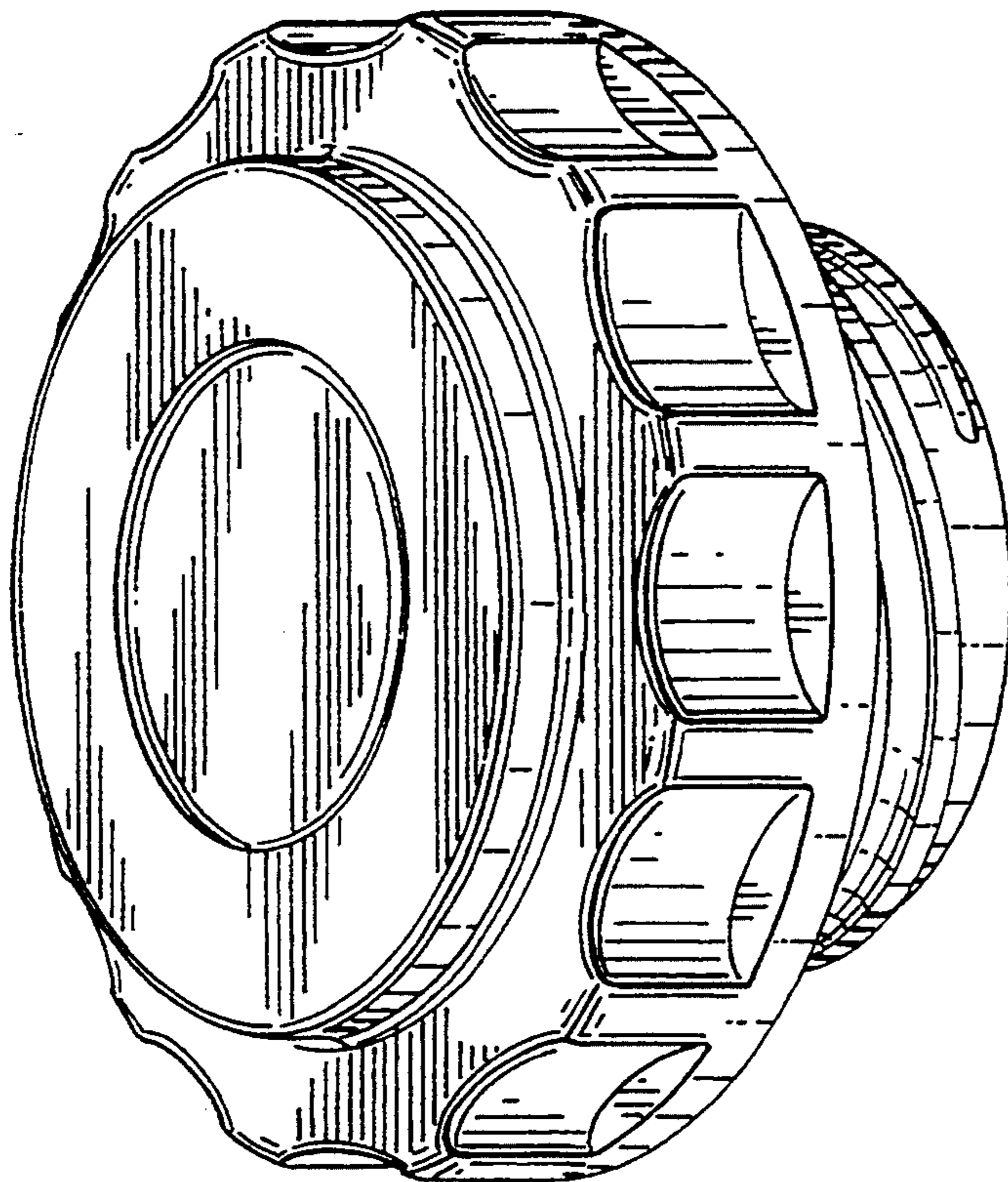
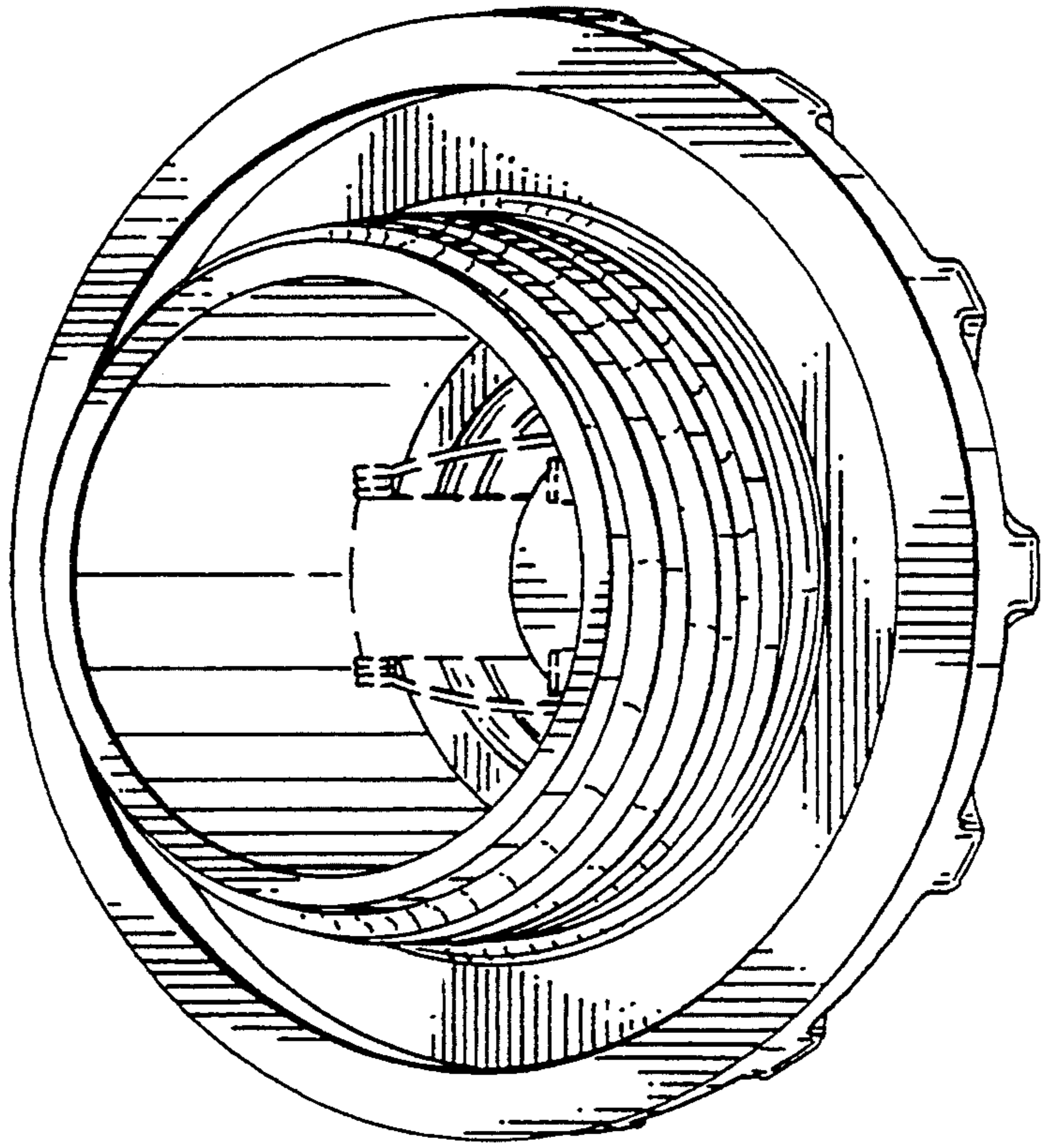


FIG. 5