



US00D353356S

# United States Patent [19]

[11] Patent Number: **Des. 353,356**

Tong

[45] Date of Patent: **\*\* Dec. 13, 1994**

[54] **VISOR MIRROR WITH NOTEPAD AND PEN**

[56] **References Cited**

[76] Inventor: **Wing K. Tong**, Flat A, 9 Flr., Chi Wah Ind. Bldg., 1-7 Kin Hon Street, Kwai Chung, Hong Kong

**U.S. PATENT DOCUMENTS**

D. 168,707 1/1953 Pavenick ..... D12/191  
D. 218,214 7/1970 Goldman et al. .... D12/191

[\*\*] Term: **14 Years**

*Primary Examiner*—James M. Gandy  
*Attorney, Agent, or Firm*—Wenderoth, Lind & Ponack

[21] Appl. No.: **2,992**

[57] **CLAIM**

The ornamental design for a visor mirror with notepad and pen, as shown.

[22] Filed: **Dec. 28, 1992**

**DESCRIPTION**

[30] **Foreign Application Priority Data**

Oct. 12, 1992 [GB] United Kingdom ..... 2026377

[52] U.S. Cl. .... **D12/191**

[58] Field of Search ..... D6/308; 359/838, 842, 359/843, 844, 849, 850, 854, 860, 862-866, 868, 881; 296/97.1, 97.5; D12/187, 188, 191

FIG. 1 is a front, top, left side perspective view of a visor mirror with notepad and pen showing my new design;

FIG. 2 is a front, bottom, right side perspective view thereof;

FIG. 3 is a right side elevational view thereof;

FIG. 4 is a bottom plan view thereof; and,

FIG. 5 is a rear view thereof.

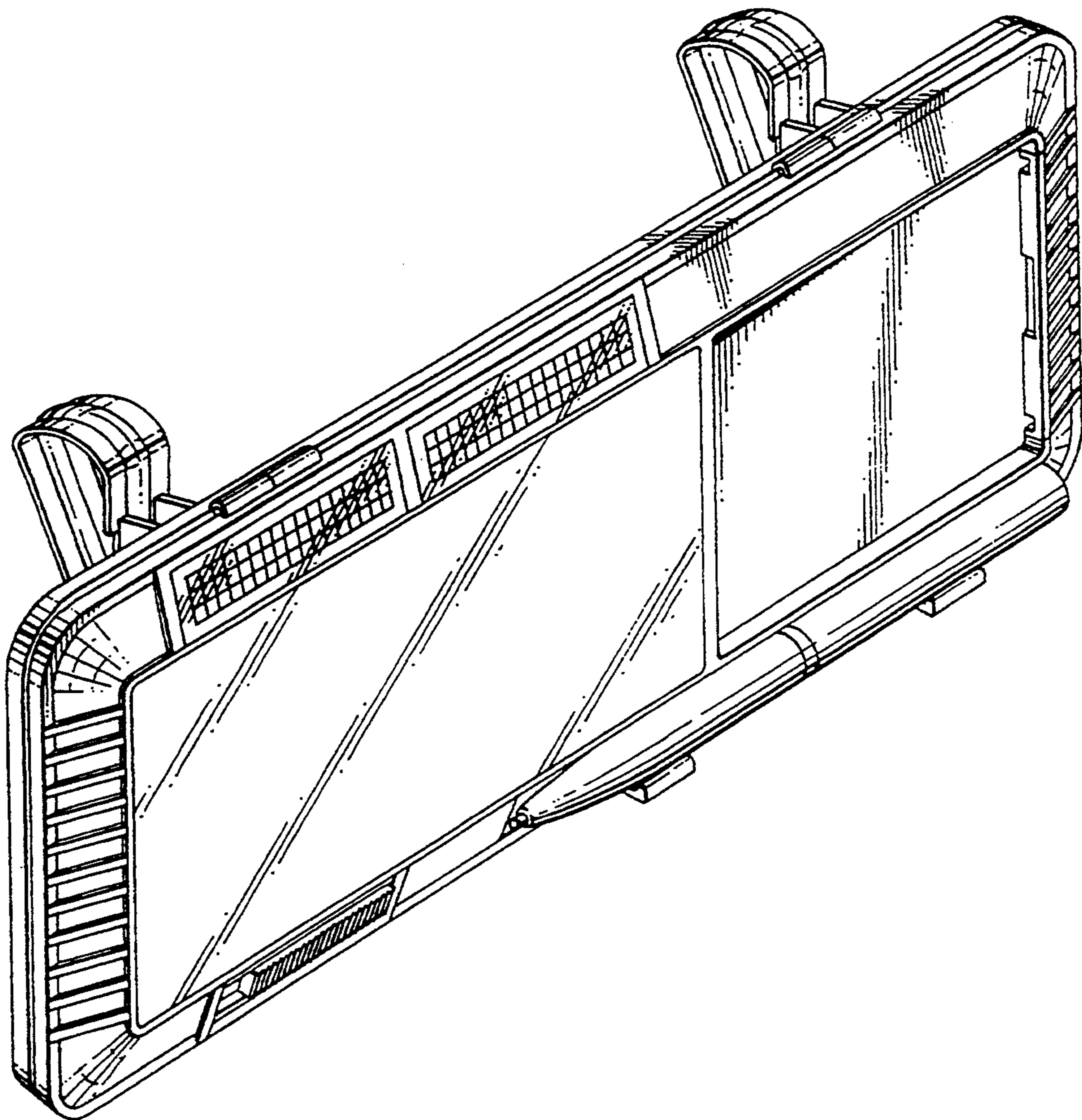


FIG. 1

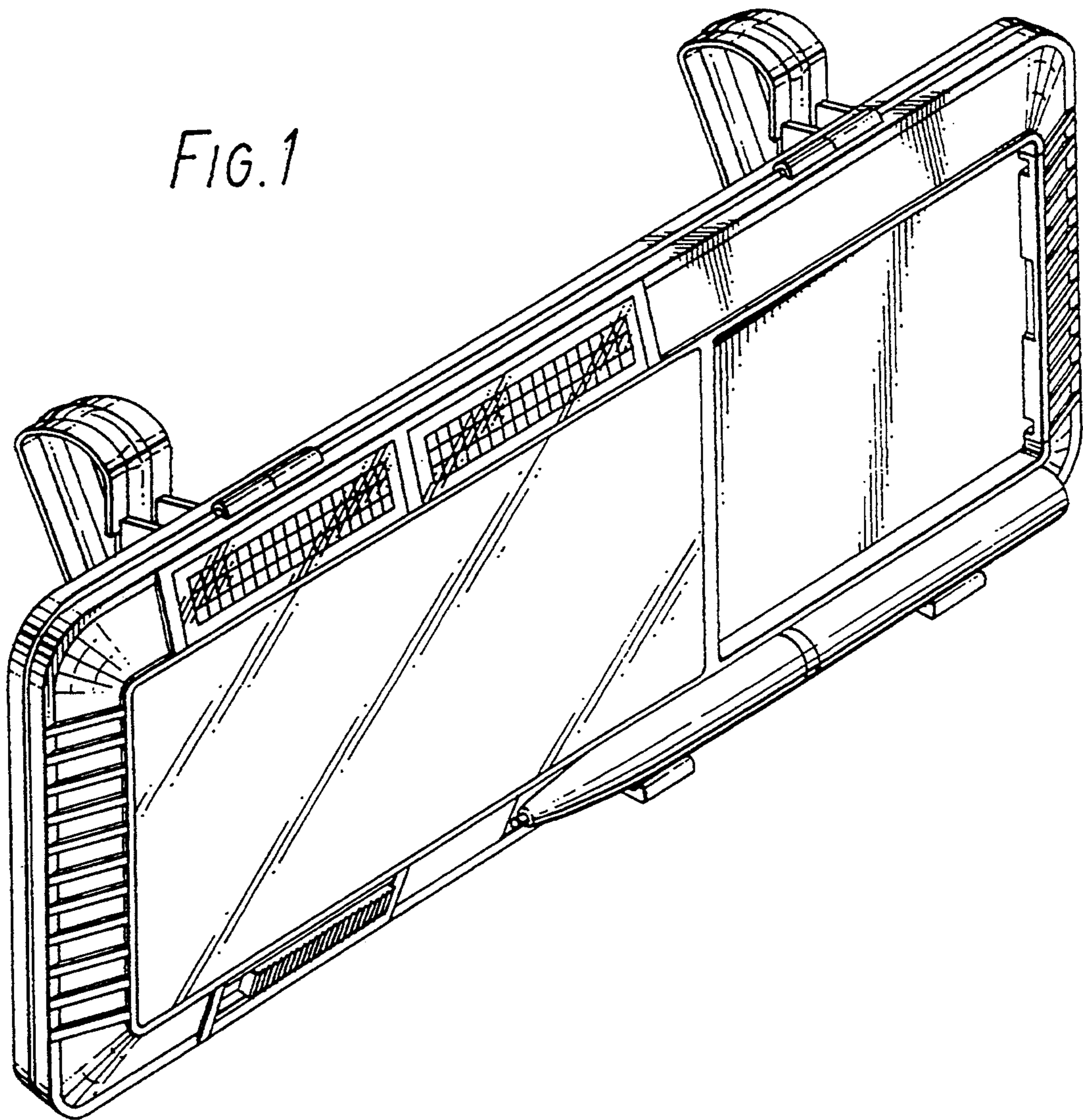


FIG. 2

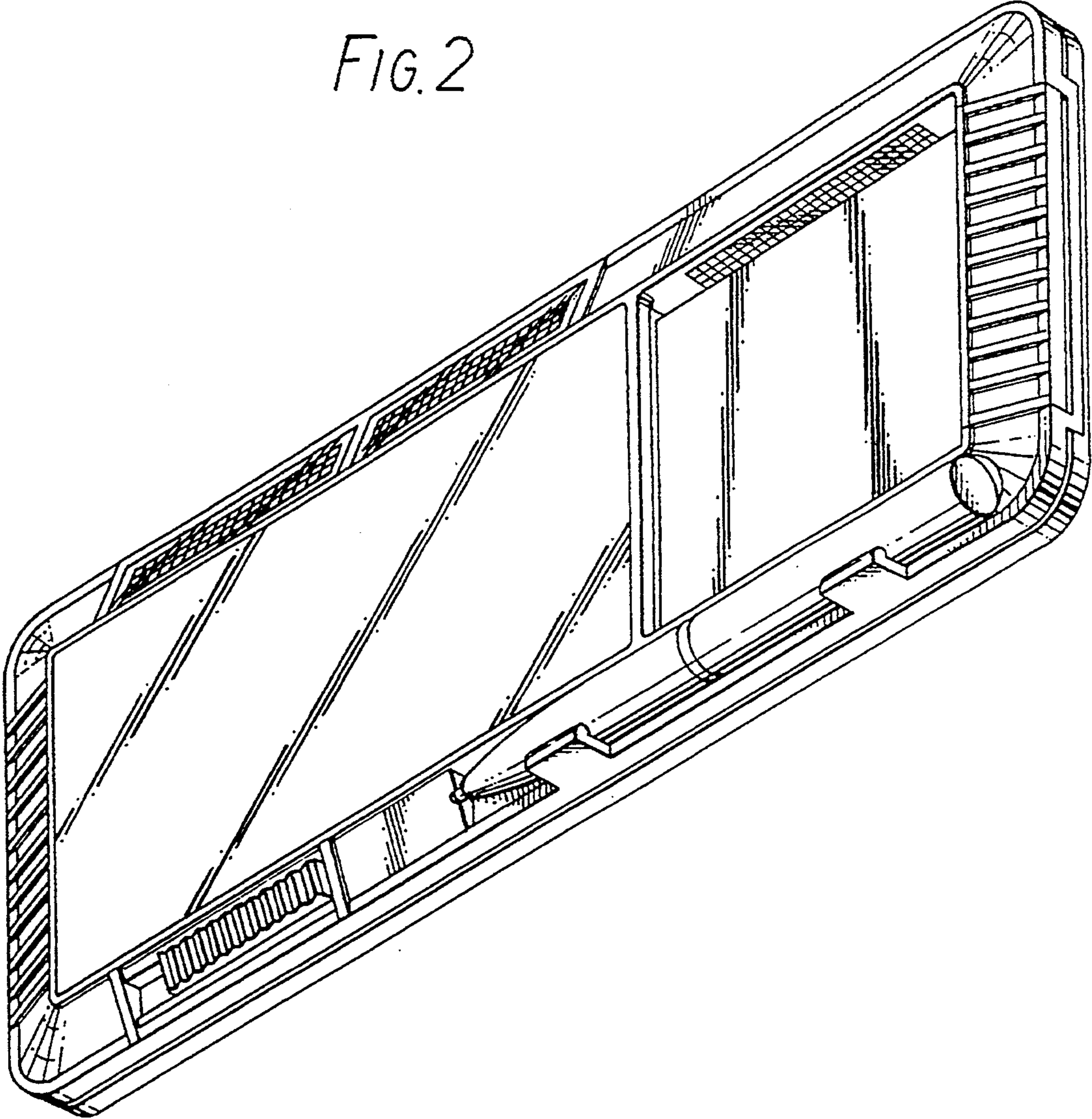


FIG.3

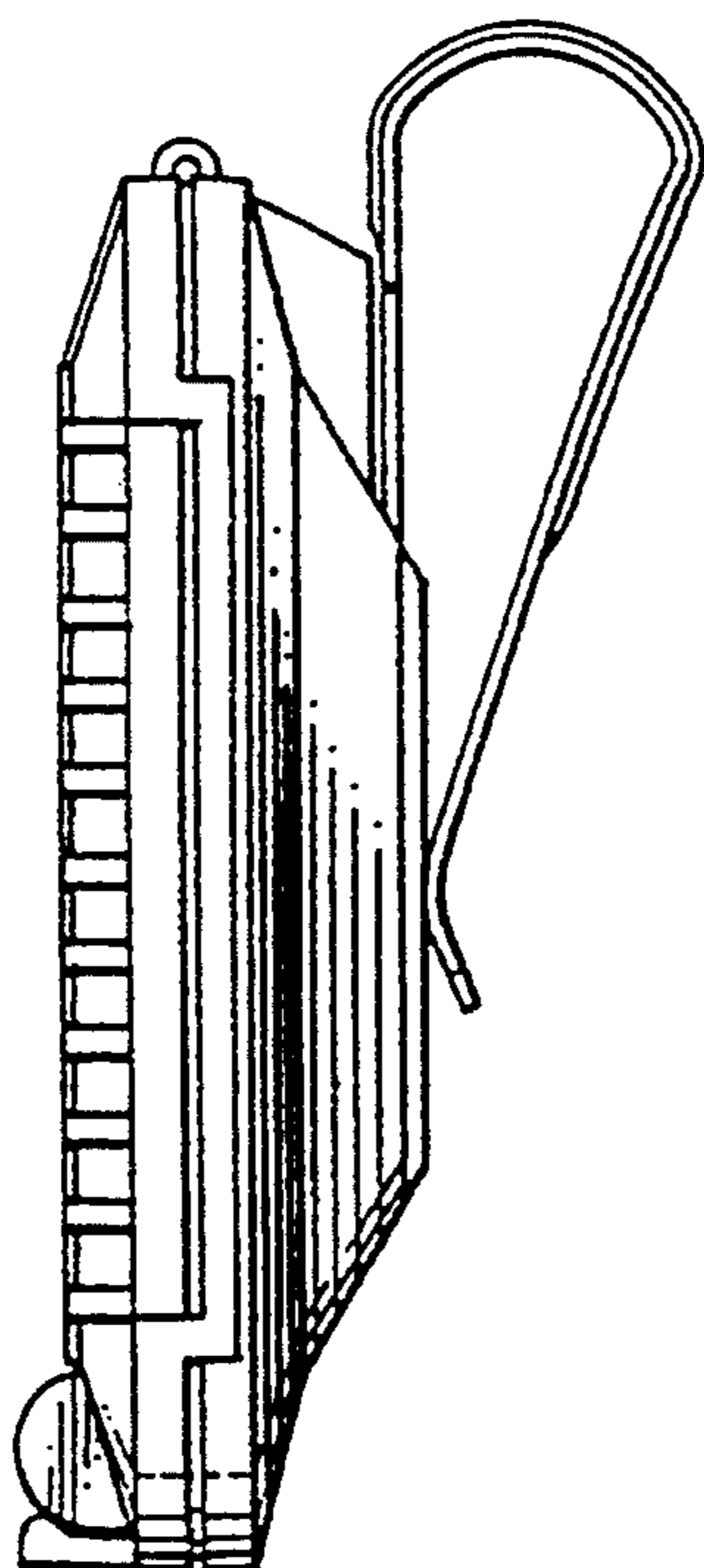


FIG.4

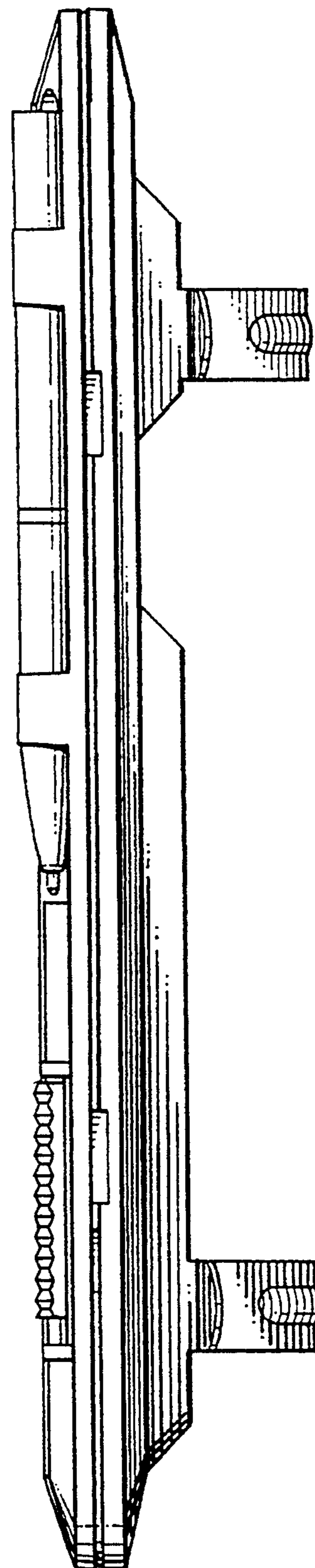


FIG. 5

