



US00D353346S

United States Patent [19]
Konradsheim

[11] **Patent Number: Des. 353,346**
[45] **Date of Patent: ** Dec. 13, 1994**

[54] **COMBINED WATCHFACE AND HANDS**

[76] **Inventor: Georg Konradsheim, Praterstrasse 21/21, 1020 Wien, Vienna, Austria**

[**] **Term: 14 Years**

[21] **Appl. No.: 683,753**

[22] **Filed: Apr. 10, 1991**

[52] **U.S. Cl. D10/124; D10/6; D10/126; D10/33**

[58] **Field of Search 116/62.1, 62.2, 62.3, 116/62.4; 368/223, 228, 232, 285; D10/1-40, 122-132, 98; D12/192**

[56] **References Cited**

U.S. PATENT DOCUMENTS

D. 273,574 4/1984 Overs D10/126
D. 273,575 4/1984 Overs D10/126

D. 293,422 12/1987 Nunes D10/126 X
D. 330,340 10/1992 Robert D10/6 X

OTHER PUBLICATIONS

Yachting-Jun. 1979-p. 147-Knotmeter at top-left.

Primary Examiner-Nelson C. Holtje

Attorney, Agent, or Firm-Cooper & Dunham

[57] **CLAIM**

An ornamental design for a combined watchface and hands, as shown and described.

DESCRIPTION

FIG. 1 is a front elevational view of a combined watchface and hands showing my new design; and, FIG. 2 is a side elevational view thereof with the long hand in the down position and the short hand in the up position.

The rear of the design is flat, plain and unornamented.

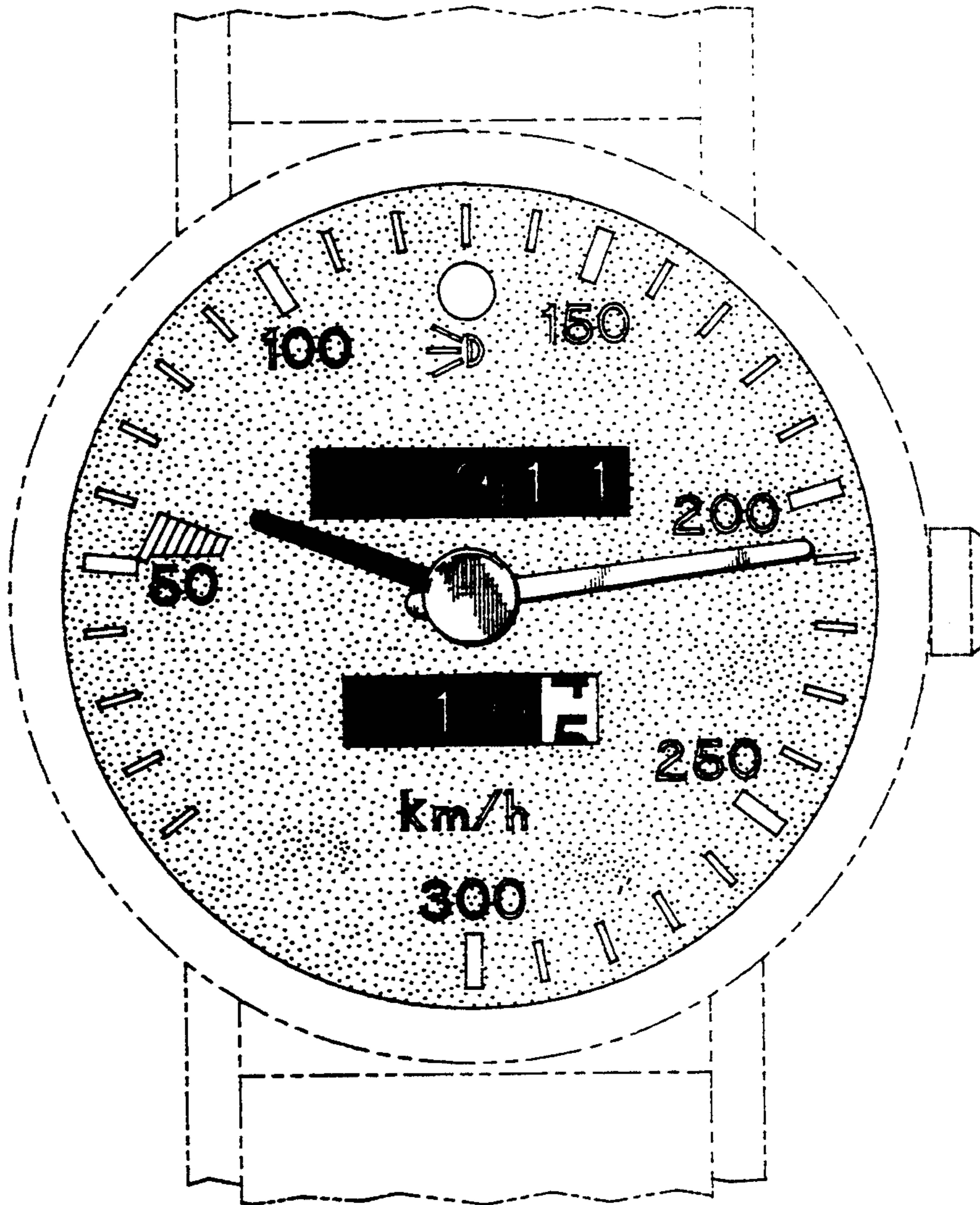


FIG. 1

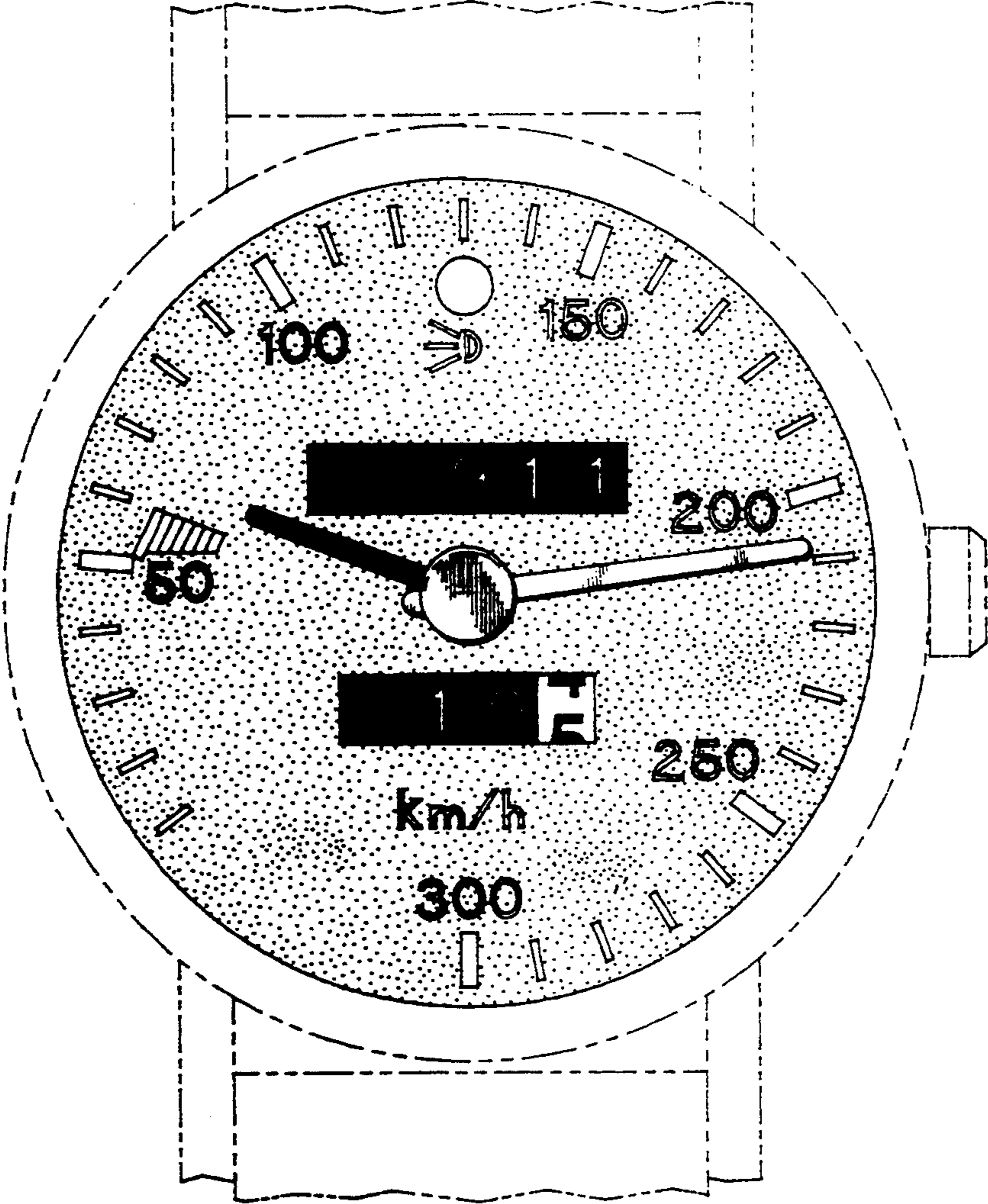


FIG. 2

