



US00D353327S

United States Patent [19]

[11] Patent Number: **Des. 353,327**

Castner et al.

[45] Date of Patent: **** Dec. 13, 1994**

- [54] **HINGED LID CONTAINER WITH RELEASABLE LOCKING MEANS**
- [75] Inventors: **Glenn C. Castner, Victor; Donald E. Rowe, Newark, both of N.Y.**
- [73] Assignee: **Mobil Oil Corporation, Fairfax, Va.**
- [**] Term: **14 Years**
- [21] Appl. No.: **12,277**
- [22] Filed: **Aug. 27, 1993**
- [52] U.S. Cl. **D9/425; D9/341**
- [58] Field of Search **D9/423, 424, 425, 431, D9/432, 426, 456, 341; 229/2.5 R, 902, DIG. 13, 906; 206/508, 521, 521.1, 521.2, , 523, 541; 220/4.01, 4.21, 4.23, 4.26, 4.27, 339**

- 4,494,650 1/1985 Cullen .
- 4,535,889 8/1985 Terauds .
- 4,545,487 10/1985 Asmus .
- 4,576,330 3/1986 Schepp 220/4.23 X
- 4,648,511 3/1987 Ritman .
- 4,653,685 3/1987 Leary et al. .
- 4,883,195 11/1989 Ott et al. .
- 4,915,251 4/1990 Payne 229/2.5 R X
- 4,974,738 12/1990 Kidd et al. .
- 5,094,355 3/1992 Clark et al. .

[56] **References Cited**
U.S. PATENT DOCUMENTS

- D. 282,245 1/1986 Yeung D9/425
- D. 339,744 9/1993 Seppala D9/425
- 3,511,433 5/1970 Andrews et al. 220/4.23
- 3,633,785 1/1972 Cyr et al. .
- 3,675,811 7/1972 Artz .
- 3,795,360 3/1974 Bianchi et al. .
- 3,902,540 9/1975 Commisso .
- 3,915,251 10/1975 Kassekert et al. .
- 3,935,962 2/1976 Schubert et al. .
- 4,057,169 11/1977 Payne .
- 4,081,646 3/1978 Goltzos .
- 4,098,453 7/1978 Arneson 229/904 X
- 4,127,189 11/1978 Shumrak et al. .
- 4,132,344 1/1979 Jewell .
- 4,193,496 3/1980 Barratt .
- 4,201,301 5/1980 Aggio .
- 4,234,097 11/1980 Daenen .
- 4,253,600 3/1981 Schubert .
- 4,294,371 10/1981 Davis .
- 4,298,133 11/1981 Davis .
- 4,440,303 4/1984 Seager .
- 4,466,552 8/1984 Butterworth et al. .

OTHER PUBLICATIONS

Rubbermaid 1985, p. 10.

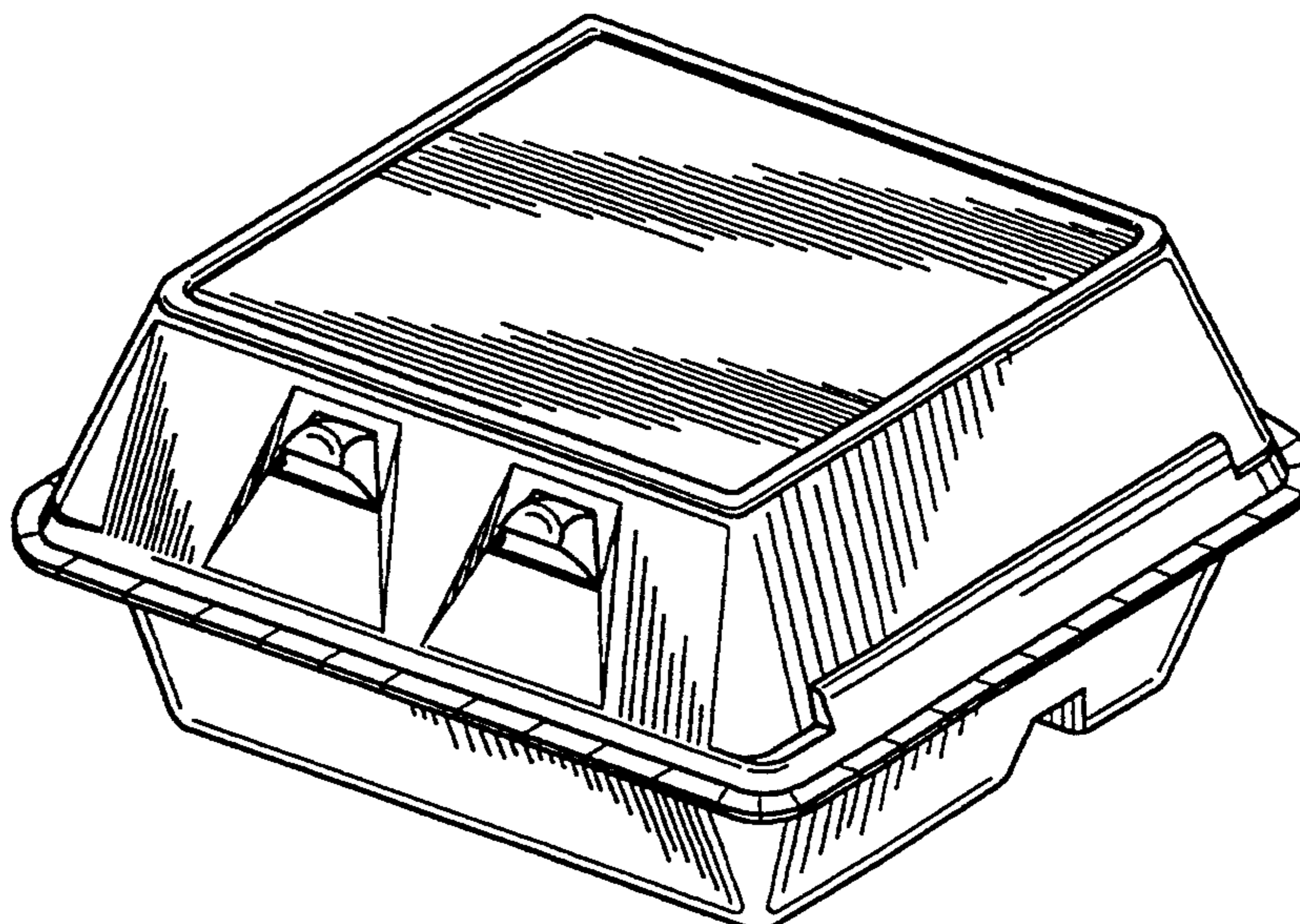
Primary Examiner—Prabhakar G. Deshmukh
Attorney, Agent, or Firm—Alexander J. McKillop;
Malcolm D. Keen; L. Gene Wise

[57] **CLAIM**

The ornamental design for a hinged lid container with releasable locking means, as shown and described.

DESCRIPTION

FIG. 1 is a top perspective view of a hinged lid container with releasable locking means, showing the container in the closed condition;
 FIG. 2 is a top plan view thereof, showing the container in the fully open condition;
 FIG. 3 is a top plan view thereof of the container in the closed condition;
 FIG. 4 is a bottom plan view of the container in the closed condition;
 FIG. 5 is a side view thereof, showing the container in the closed condition;
 FIG. 6 is a side view thereof, showing the container in a partially opened condition;
 FIG. 7 is a front view thereof, showing the container in the closed condition;
 FIG. 8 is a front view thereof, showing the container in a partially opened condition; and,
 FIG. 9 is a rear perspective view, showing the container in the closed condition.



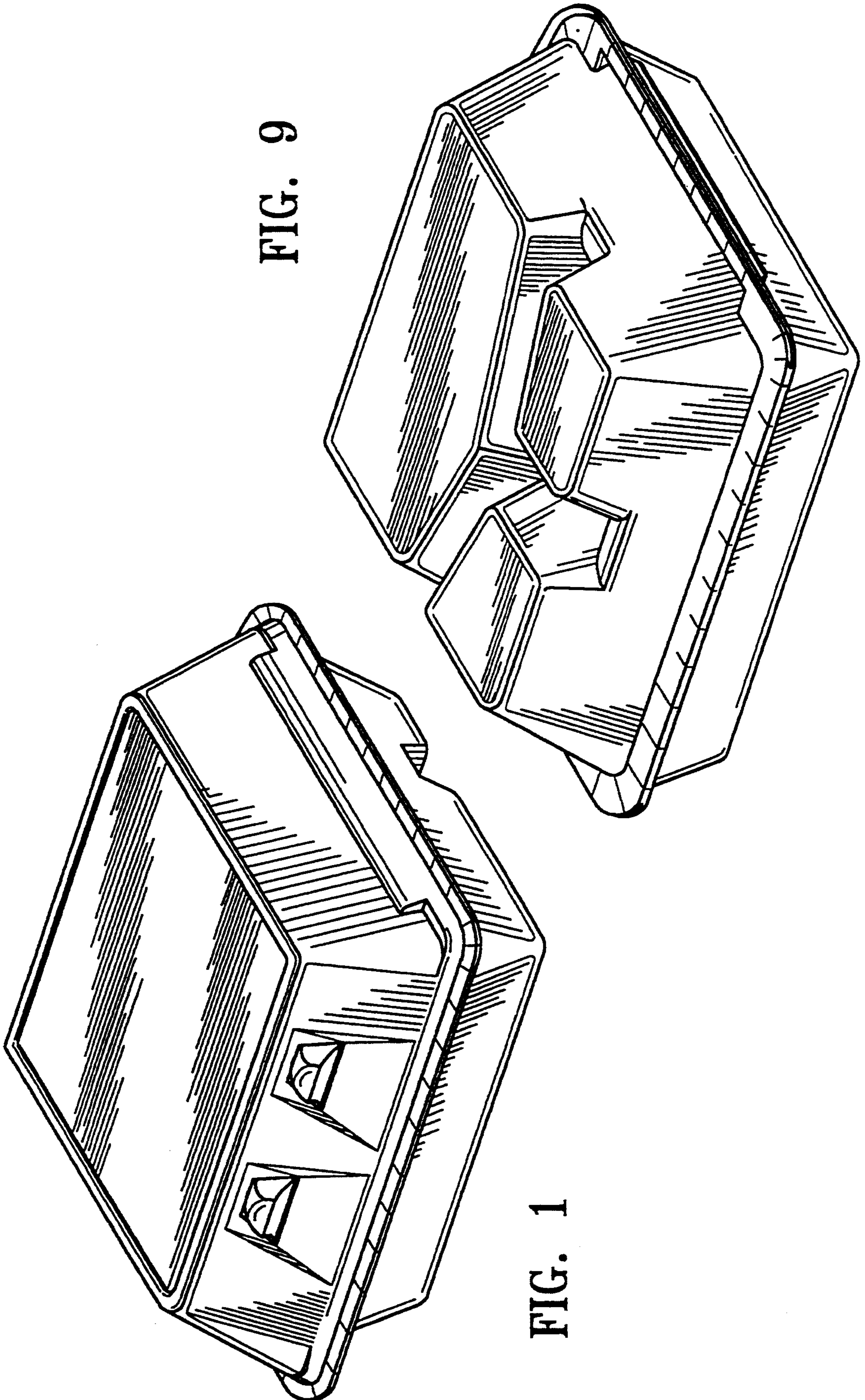


FIG. 9

FIG. 1

FIG. 2

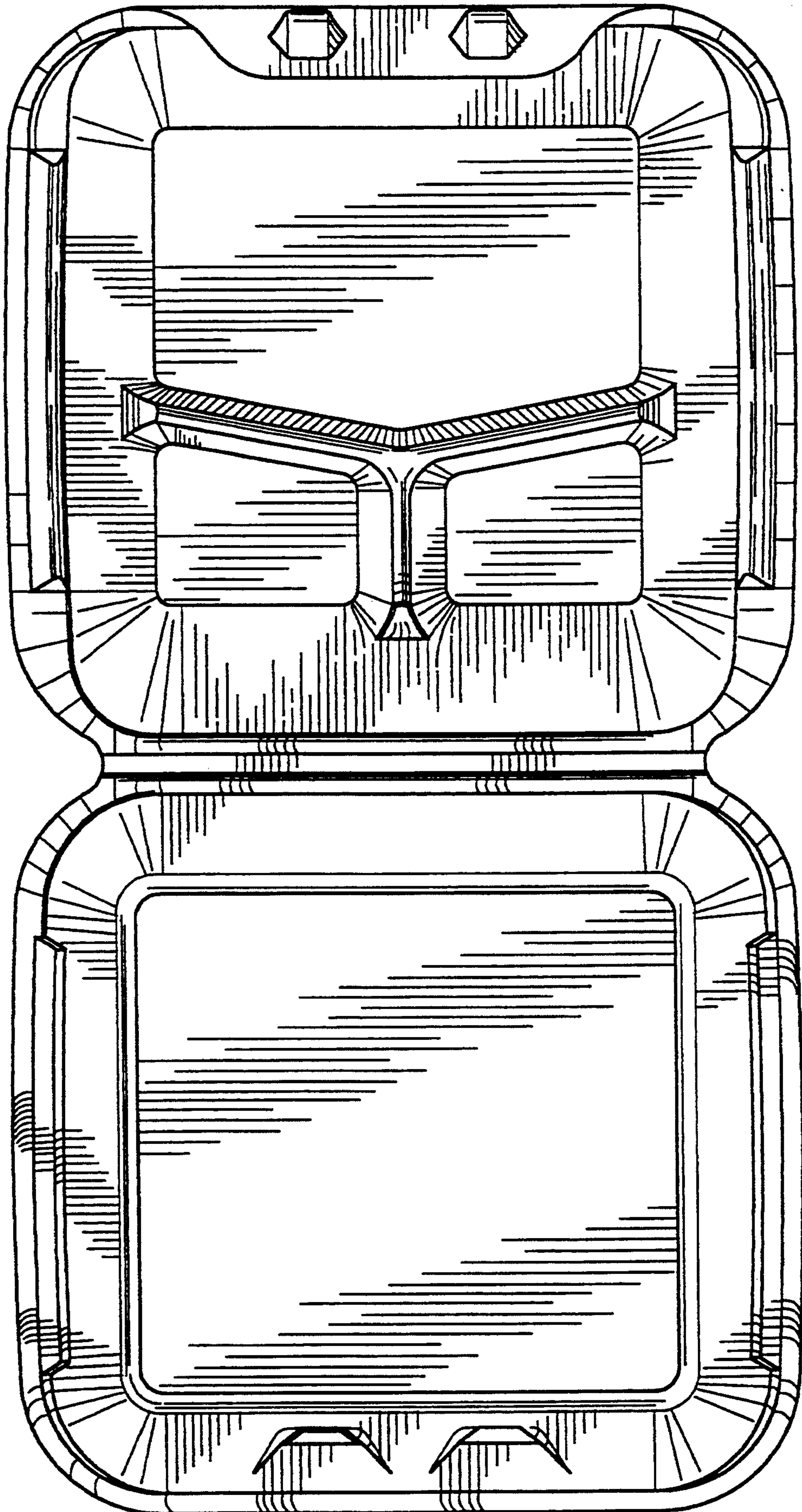


FIG. 4

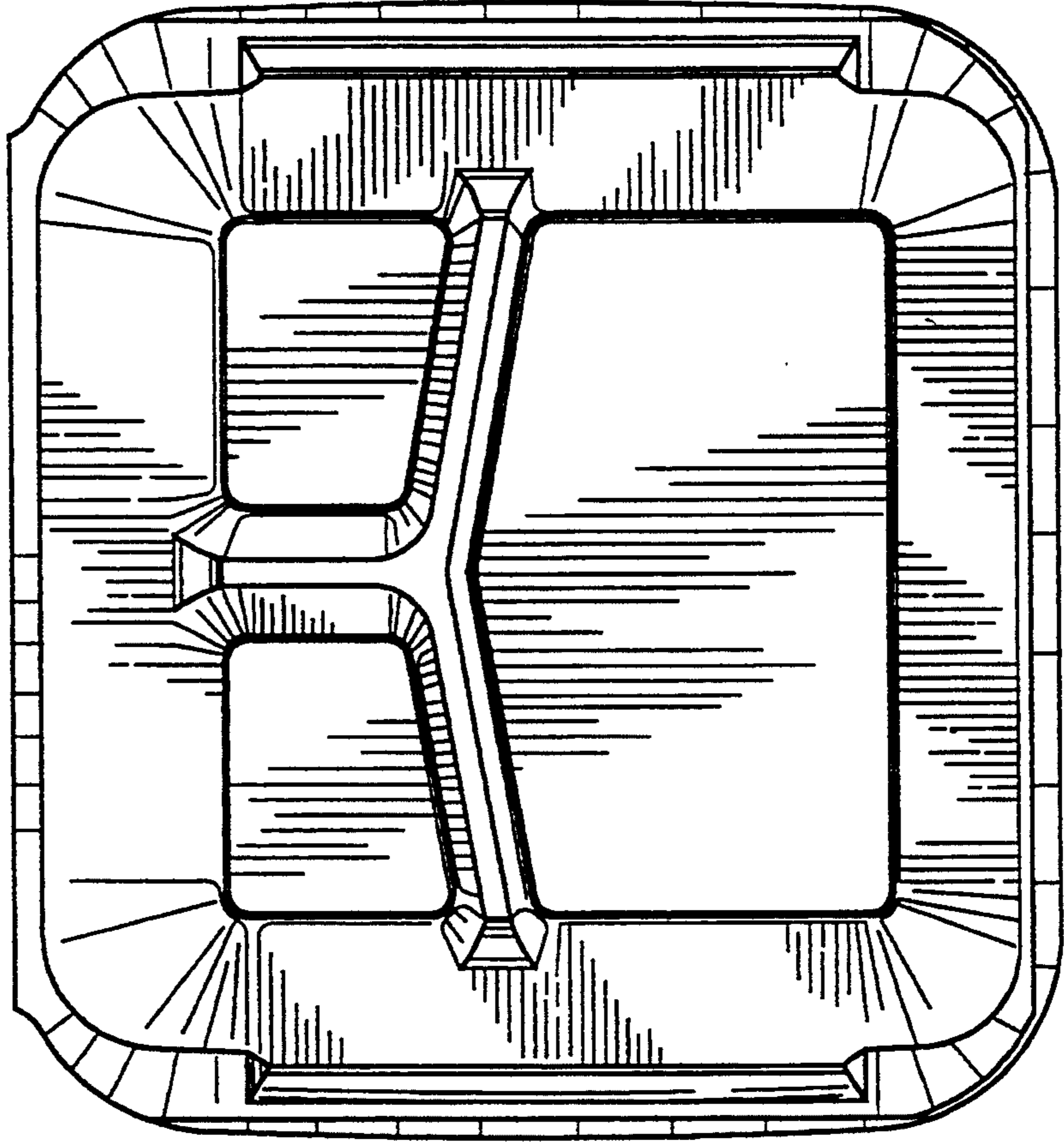


FIG. 3

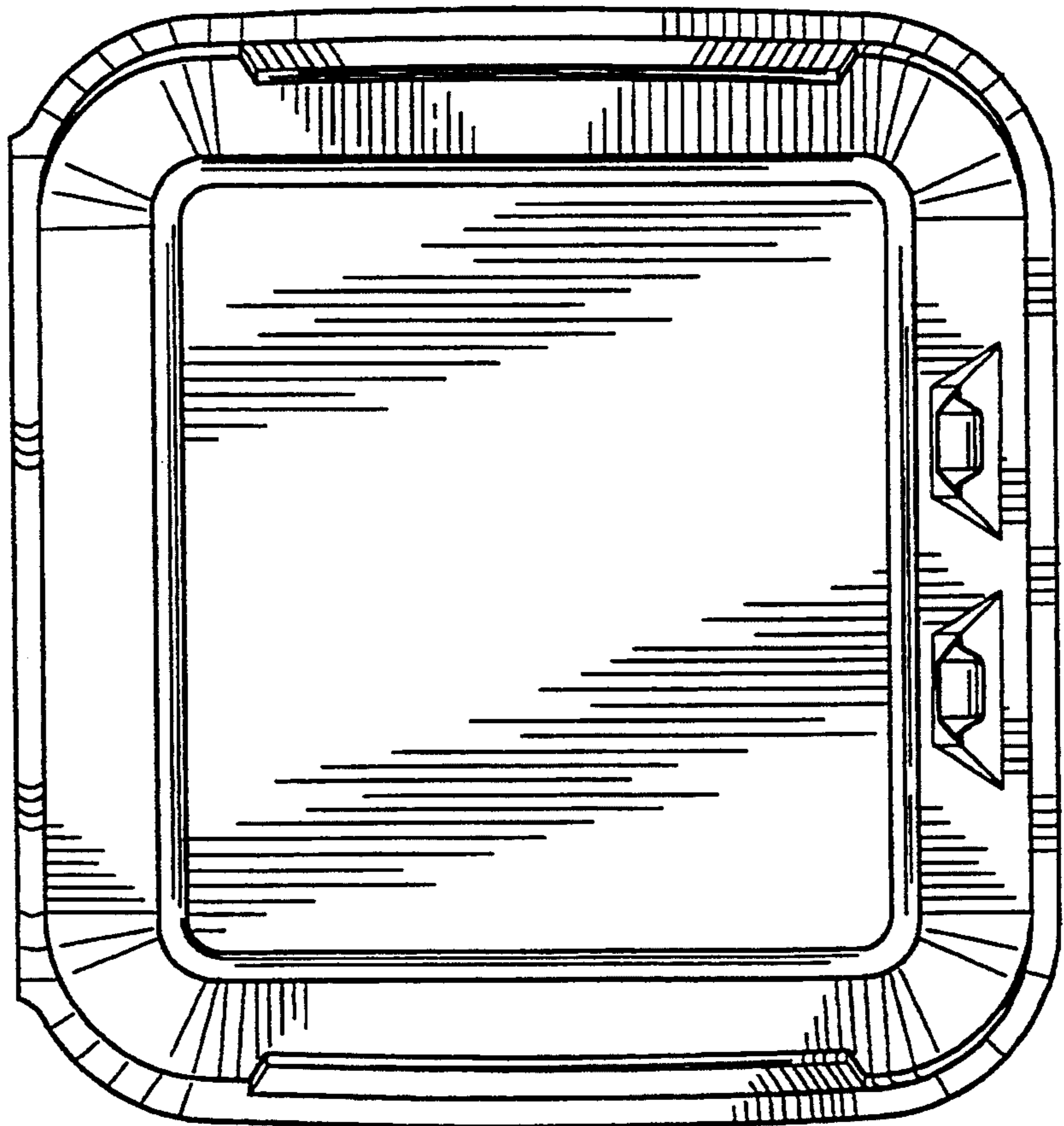


FIG. 5

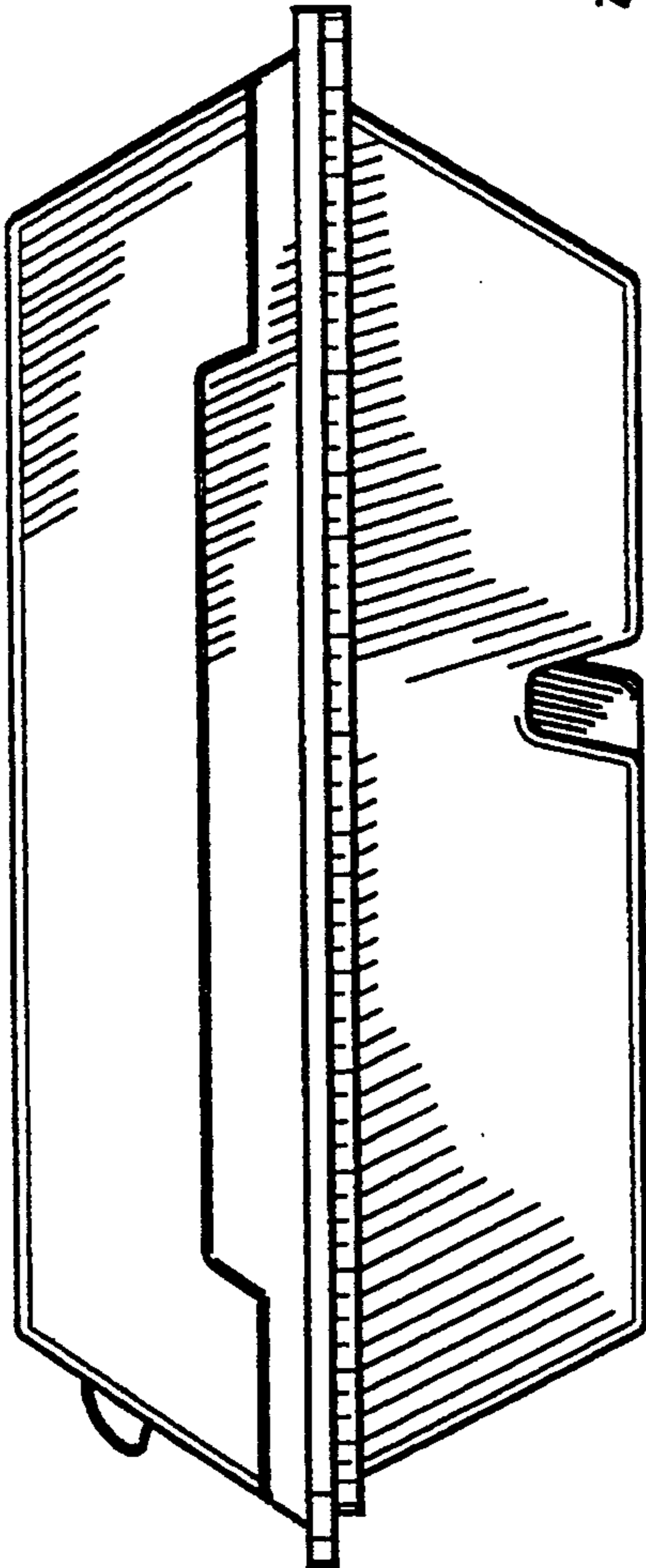


FIG. 6

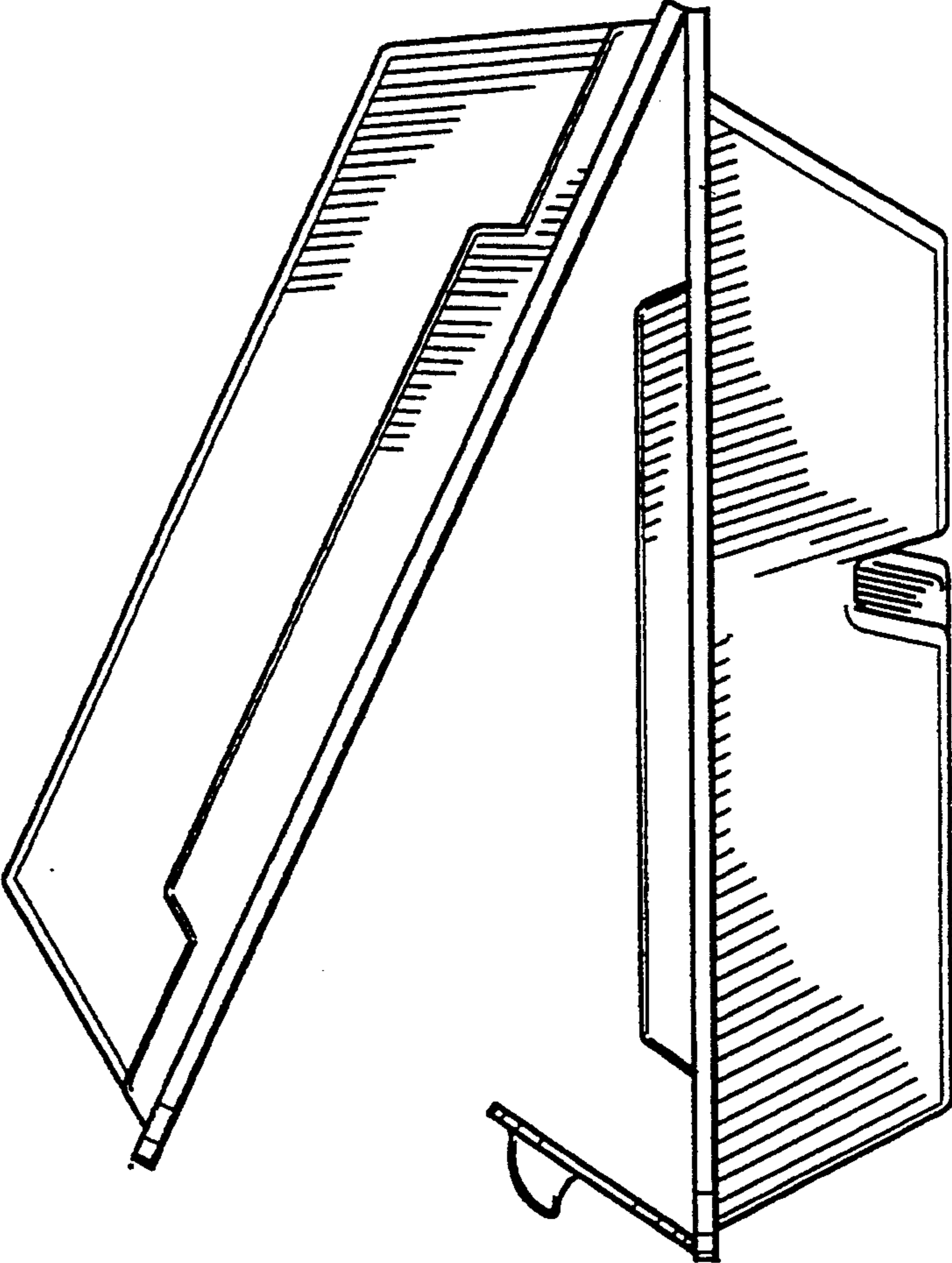


FIG. 7

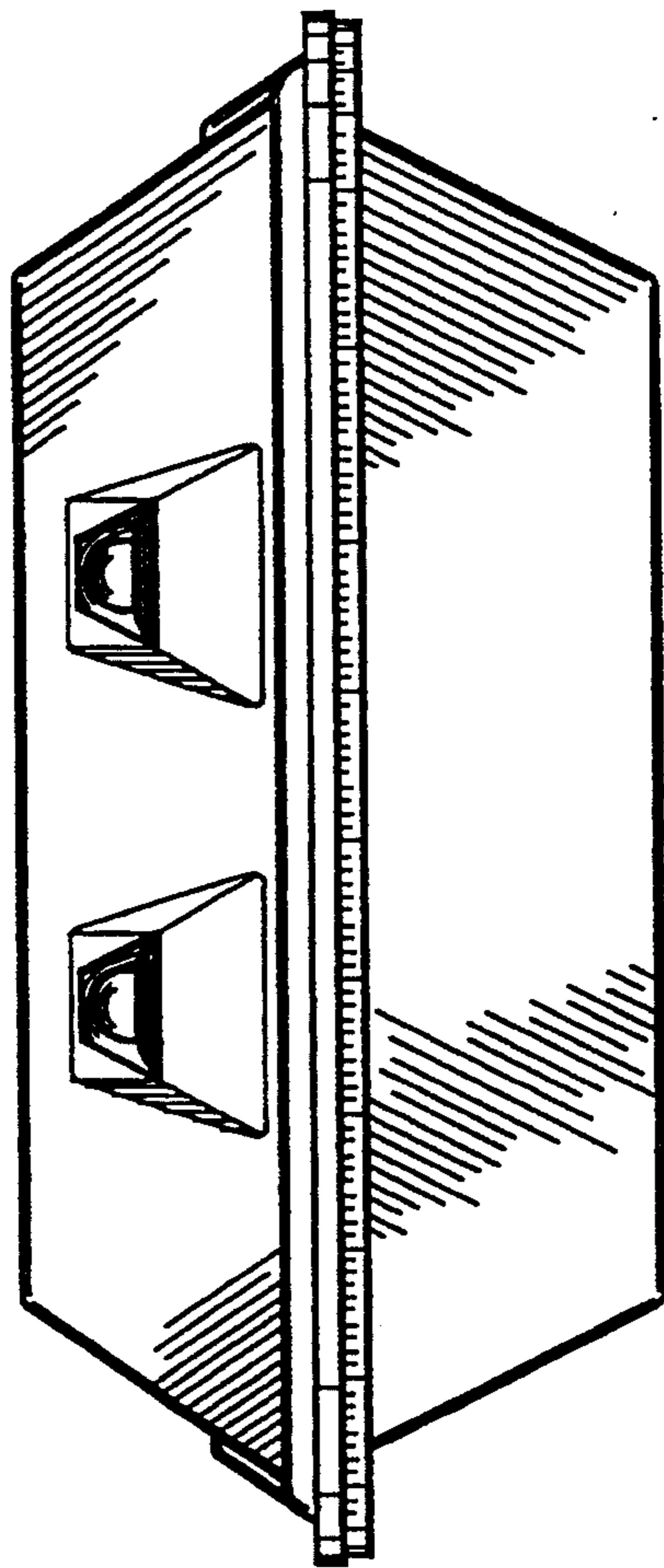


FIG. 8

