



US00D353323S

United States Patent [19]

[11] Patent Number: **Des. 353,323**

Meng

[45] Date of Patent: **** Dec. 13, 1994**

[54] CONTAINER

[75] Inventor: **Pang S. Meng**, Singapore, Singapore

[73] Assignee: **Mirror-Water Pte. Ltd.**, Alexandra Distripark, Singapore

[**] Term: **14 Years**

[21] Appl. No.: **1,566**

[22] Filed: **Nov. 16, 1992**

[52] U.S. Cl. **D9/307; D21/150**

[58] Field of Search **D9/316, 307, 310, 311; 215/1 R, 1 C; 206/457; 46/103-106; D21/150**

[56] References Cited

U.S. PATENT DOCUMENTS

D. 172,014	4/1954	Fine	D9/316
D. 251,628	4/1979	McQuarrie et al.	D21/150
D. 258,900	4/1981	Lanusse	D21/150
D. 301,005	5/1989	Waters	D21/150 X
3,728,815	4/1973	Tomiyama	D21/150 X

OTHER PUBLICATIONS

Playthings; Feb. 1978; p. 131; Robot upper right corner, #1.

Gift Accessories; Nov. 1987; p. 154; Robert middle, left of page.

Primary Examiner—Melvin B. Feifer

Assistant Examiner—M. Siegel

Attorney, Agent, or Firm—Ladas & Parry

[57] CLAIM

The ornamental design for a container, as shown.

DESCRIPTION

FIG. 1 is a front elevational view of a container showing my new design;

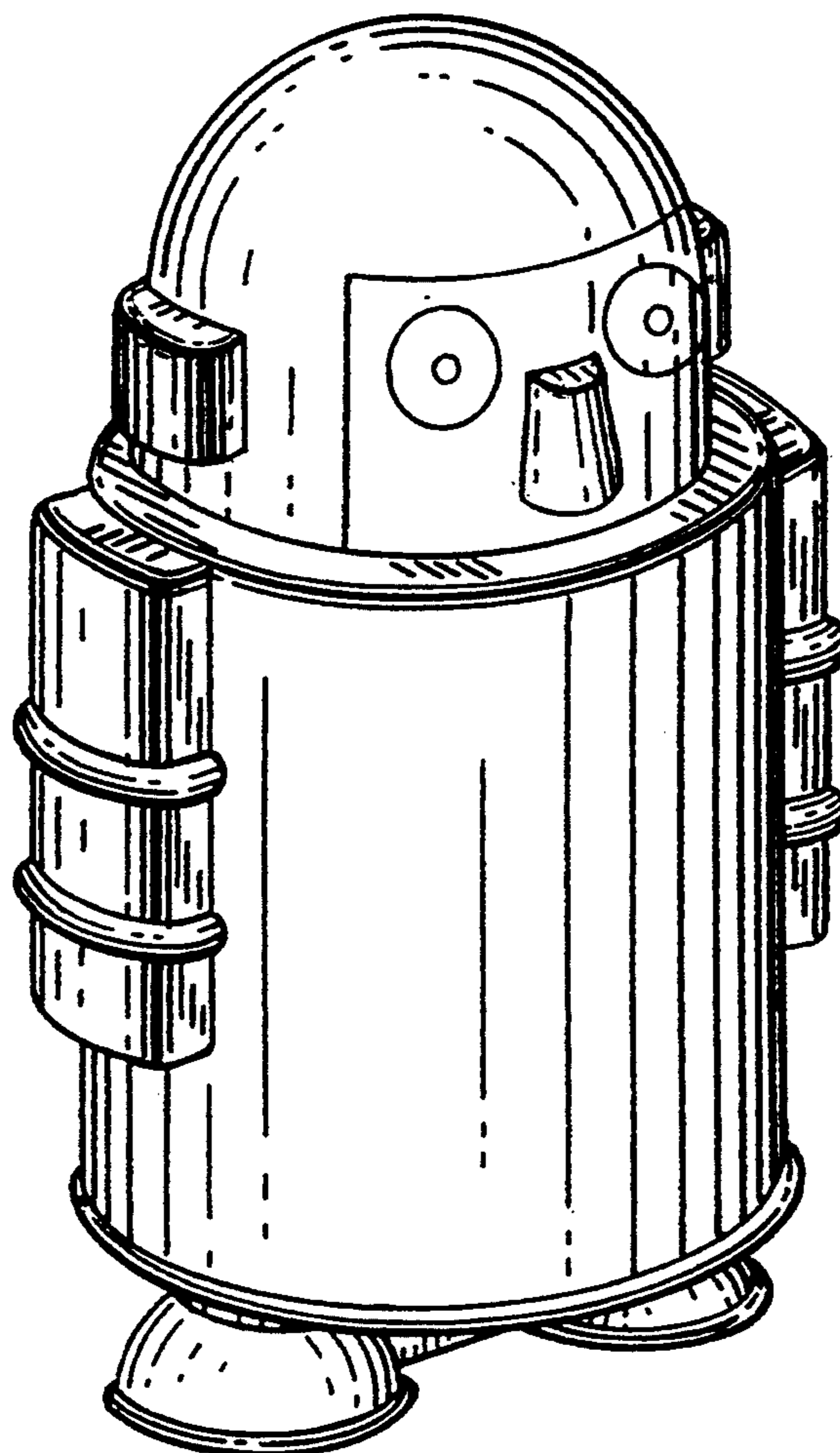
FIG. 2 is a rear elevational view thereof;

FIG. 3 is a left side elevational view thereof, the undisclosed opposite side being a mirror image;

FIG. 4 is a top plan view thereof;

FIG. 5 is a bottom plan view thereof; and,

FIG. 6 a perspective view thereof.



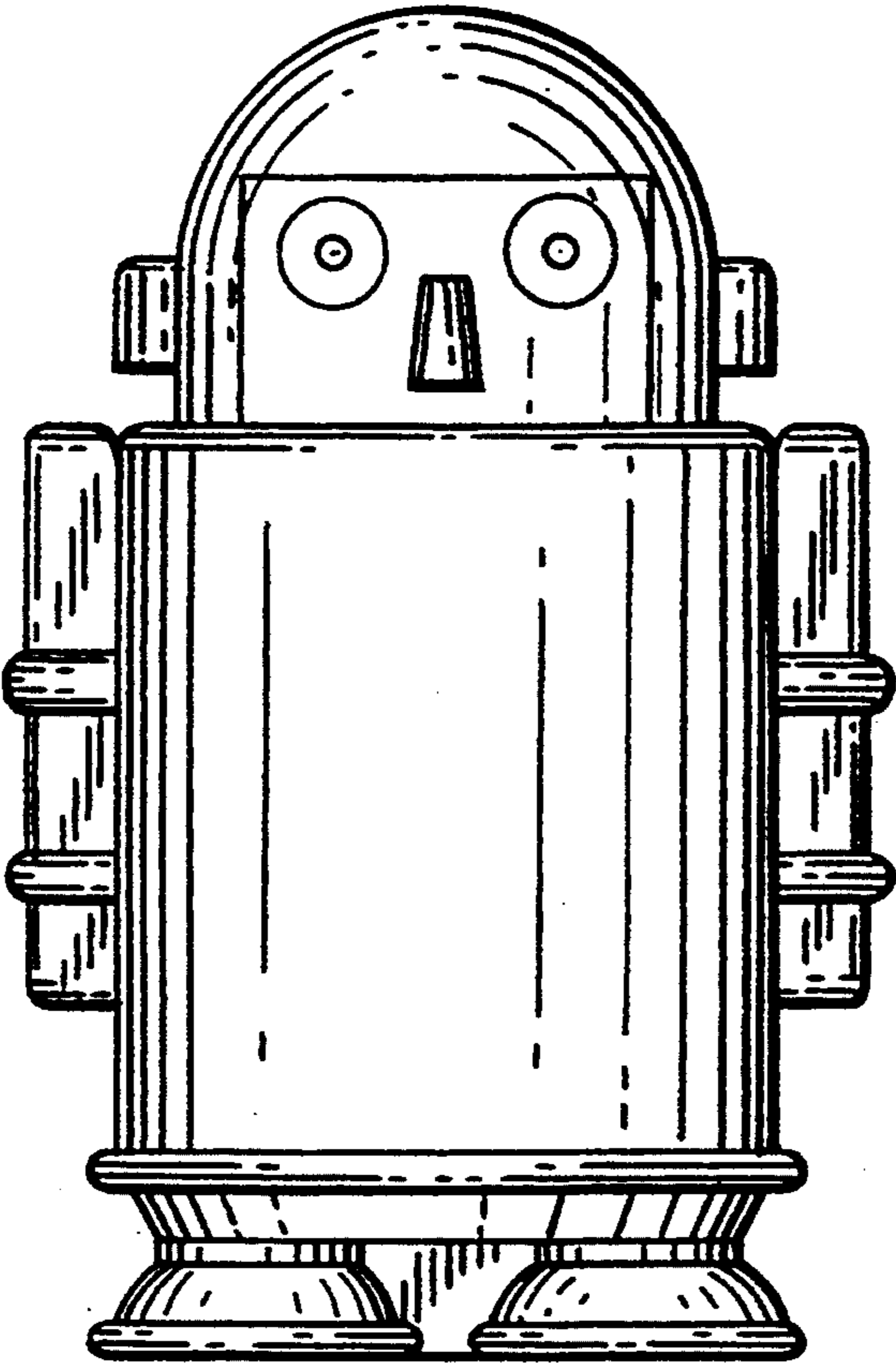


FIG. 1

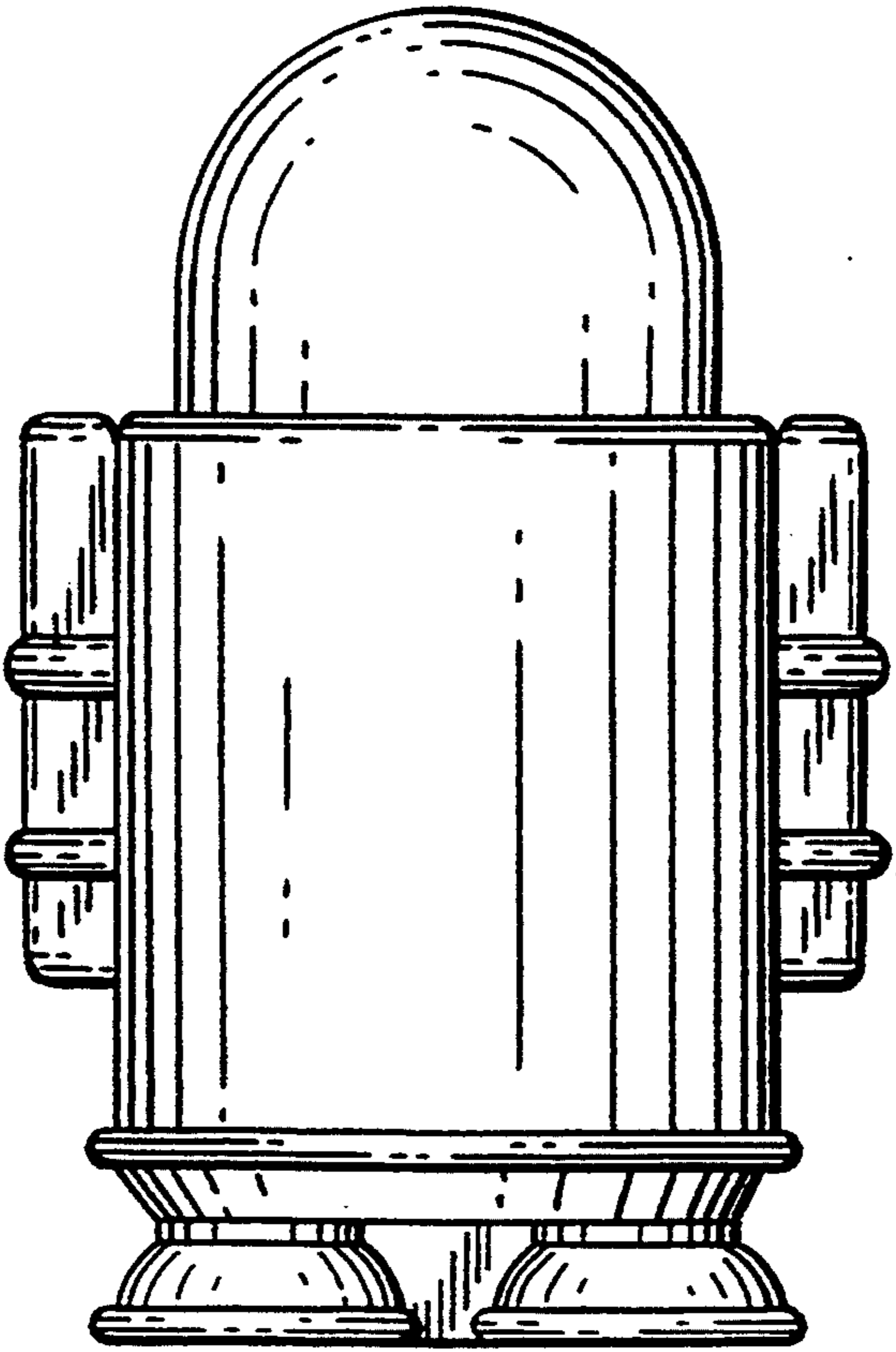


FIG. 2

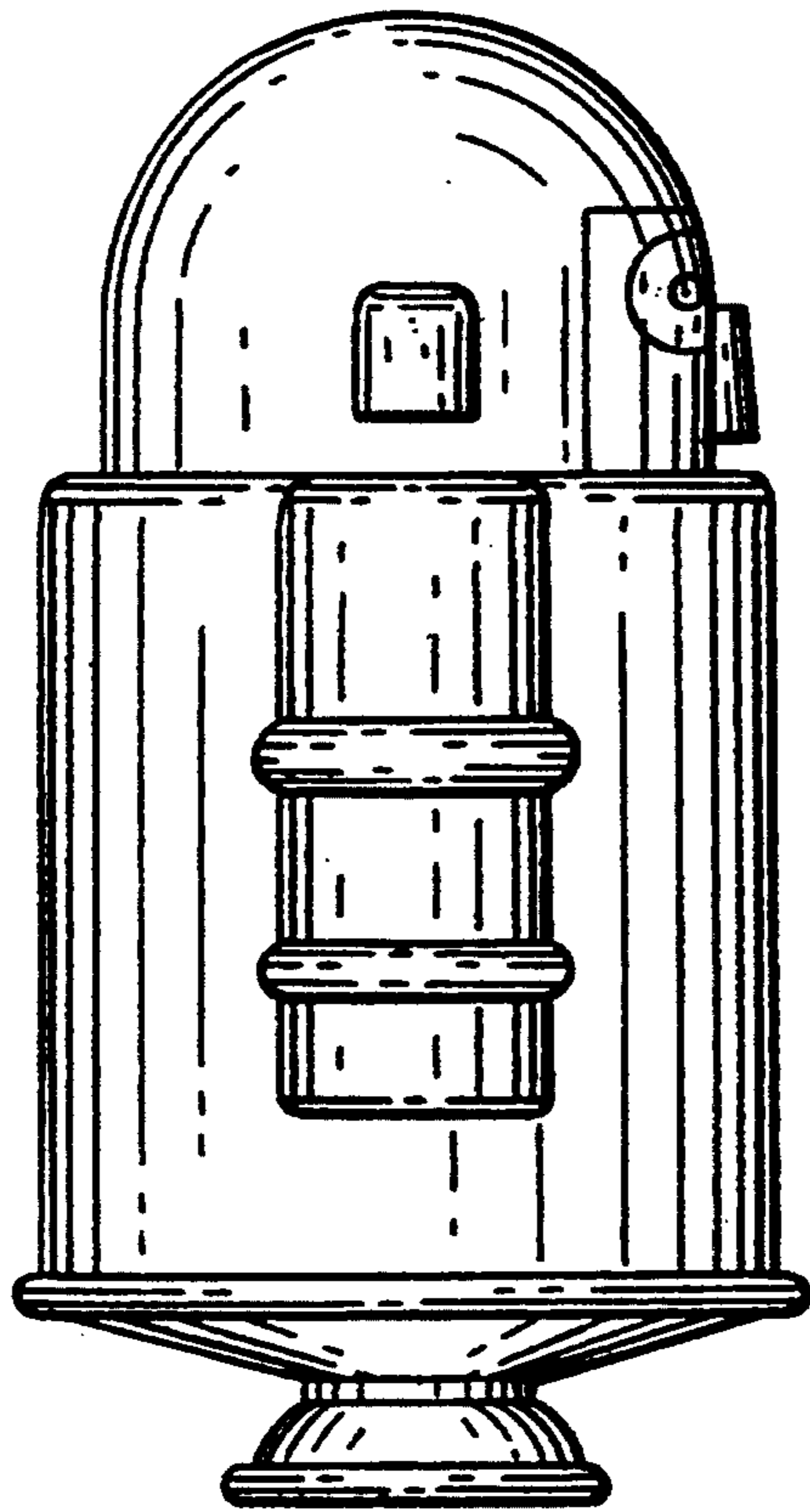


FIG. 3

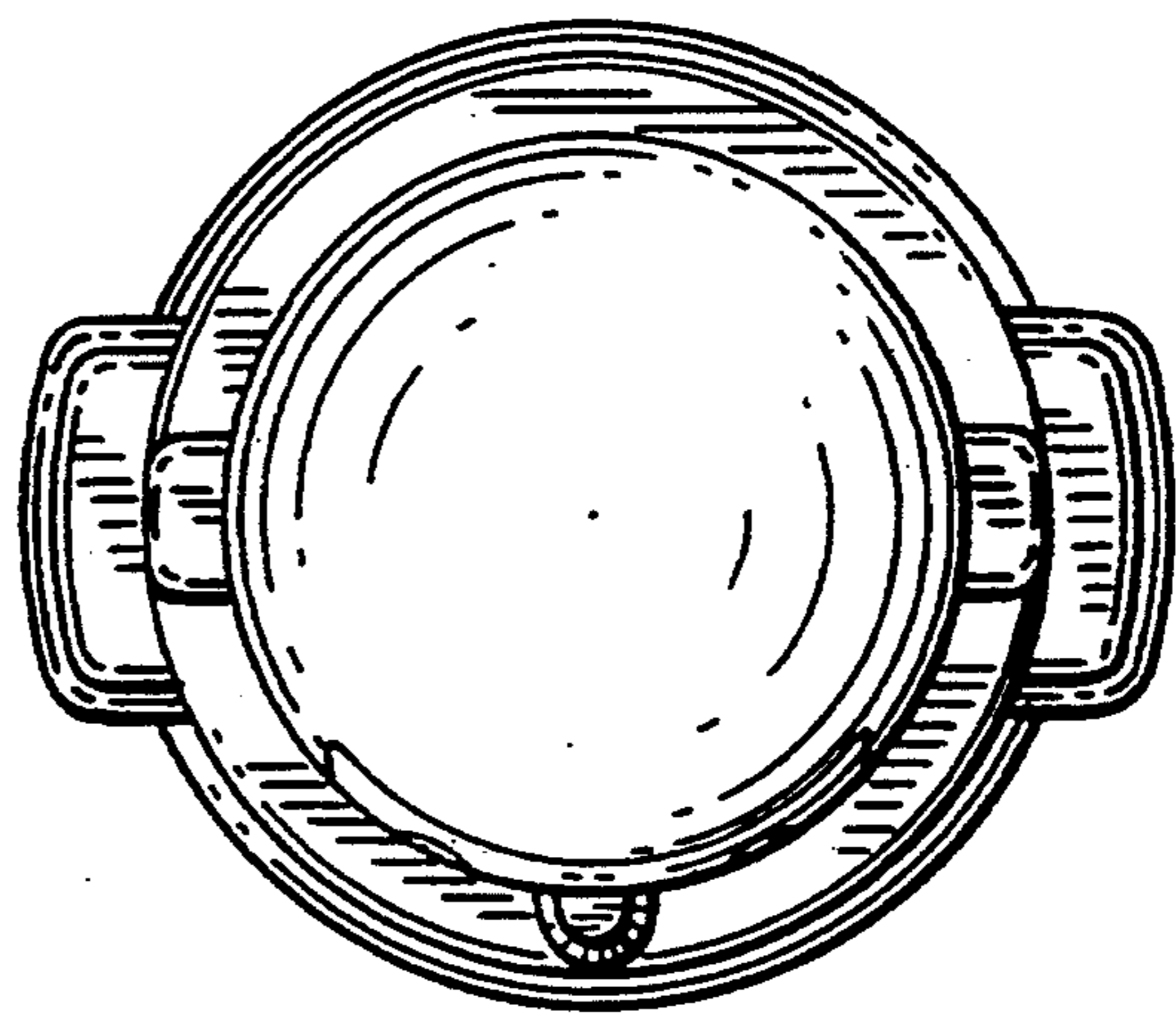


FIG. 4

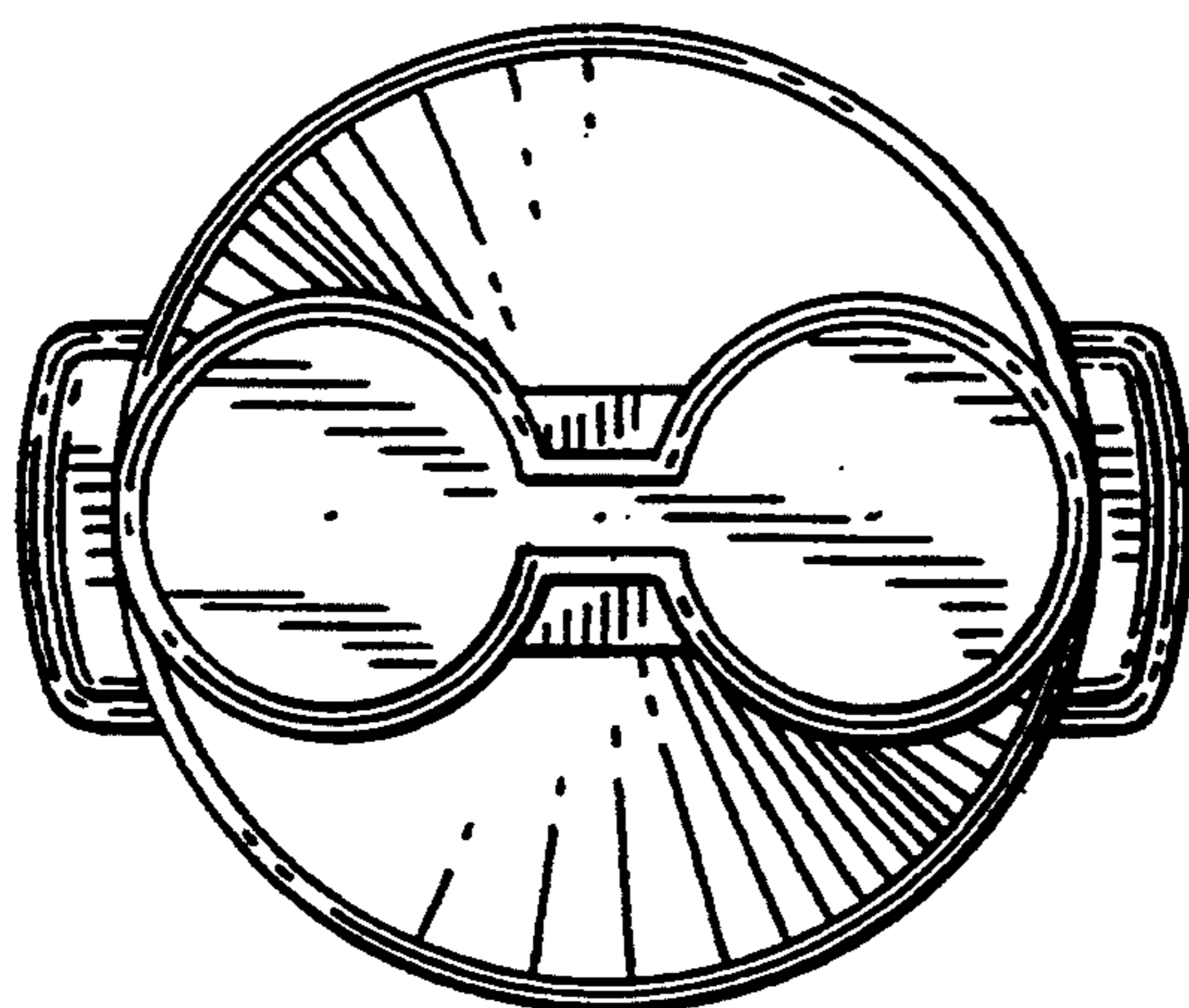


FIG. 5

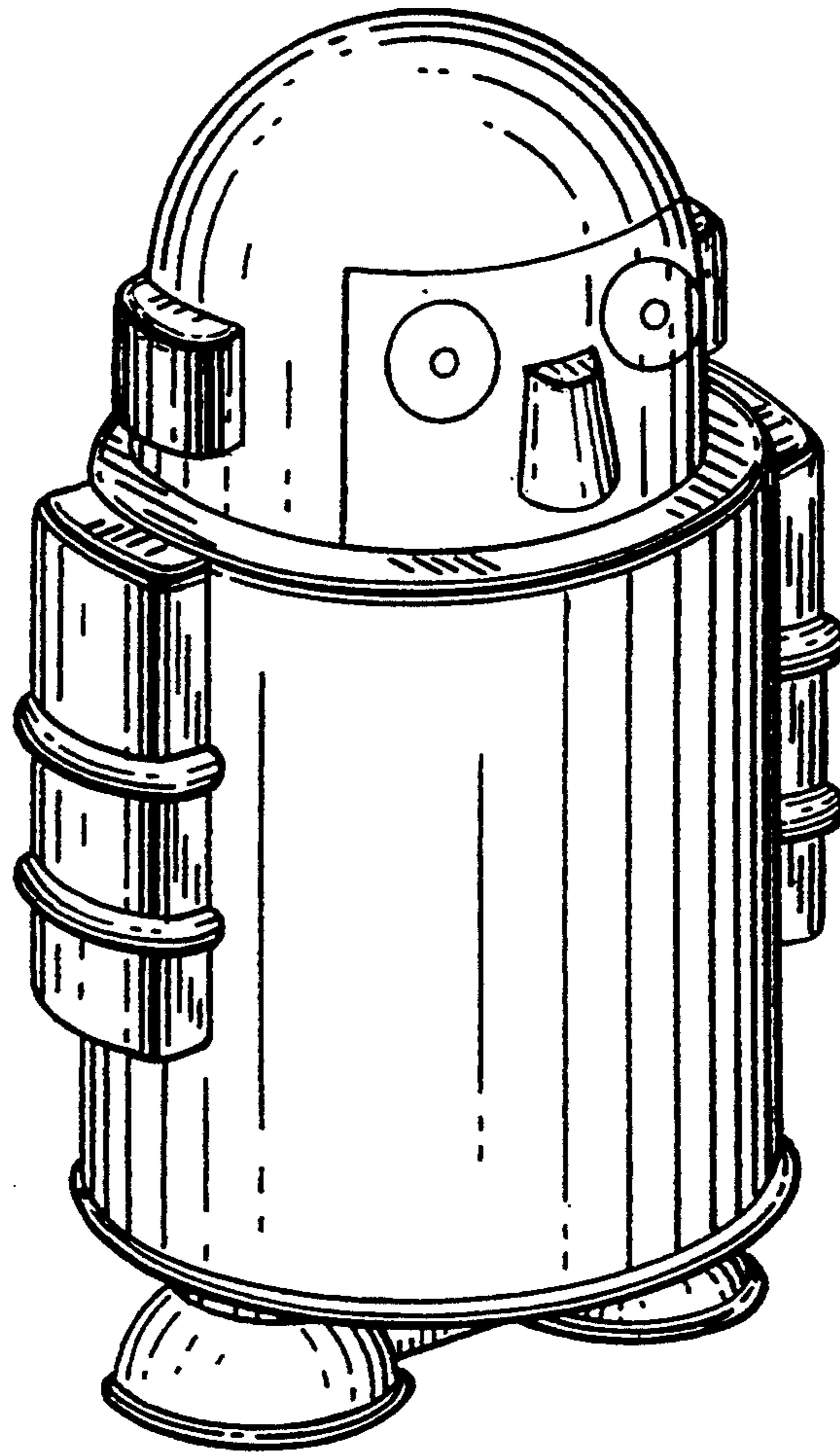


FIG. 6