



US00D353318S

United States Patent [19]

[11] Patent Number: **Des. 353,318**

Lee

[45] Date of Patent: **** Dec. 13, 1994**

[54] CAM FOR A LOCKING CONTAINER DOOR

3,921,422 11/1975 Walters 70/104 X

[75] Inventor: **Sang I. Lee**, Seoul, Rep. of Korea

Primary Examiner—Brian N. Vinson
Attorney, Agent, or Firm—Beveridge, DeGrandi,
Weilacher & Young

[73] Assignee: **Bloxwich Korea Co., Ltd.**, Kyongju
City, Rep. of Korea

[**] Term: **14 Years**

[57] CLAIM

[21] Appl. No.: **14,179**

The ornamental design for a cam for a locking container door, as shown and described.

[22] Filed: **Oct. 14, 1993**

DESCRIPTION

[30] Foreign Application Priority Data

Aug. 3, 1993 [KR] Rep. of Korea 93-15635

[52] U.S. Cl. **D8/343**

[58] Field of Search **D8/330-331,**
D8/343-344, 346, 349, 382-383, 394-395;
20/91, 101-102, 104-106, 141, 142; 292/340,
95, 194, 215, 218, 224, 194

FIG. 1 is a top, front, and left side perspective view of a cam for a locking container door showing my new design;

FIG. 2 is a top plan view thereof;

FIG. 3 is a front elevational view thereof, the rear being a mirror image of that shown;

FIG. 4 is a bottom plan view thereof;

FIG. 5 is a left side elevational view thereof;

FIG. 6 is a right side elevational view thereof;

FIG. 7 is a vertical cross-sectional view thereof, taken along line A—A of FIG. 2; and,

FIG. 8 is a top, front, and left side perspective view thereof, the broken-line disclosure of a keeper being for illustrative purposes only and forming no part of the claimed design.

[56] References Cited

U.S. PATENT DOCUMENTS

- D. 228,169 8/1973 Morris D8/343
- D. 247,871 5/1978 Shaw et al. D8/343
- D. 294,452 3/1988 Bakula D8/330

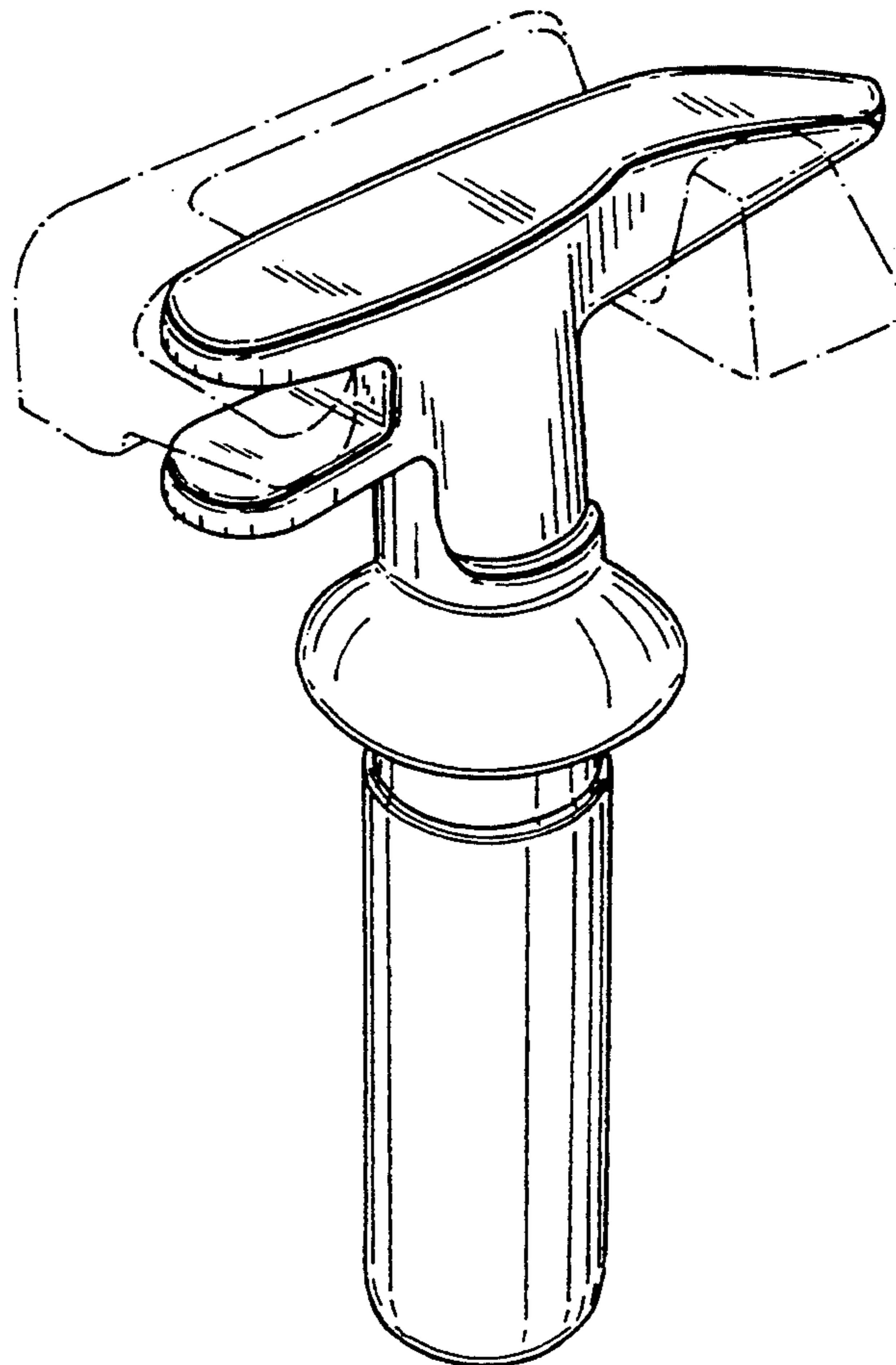


FIG. 1

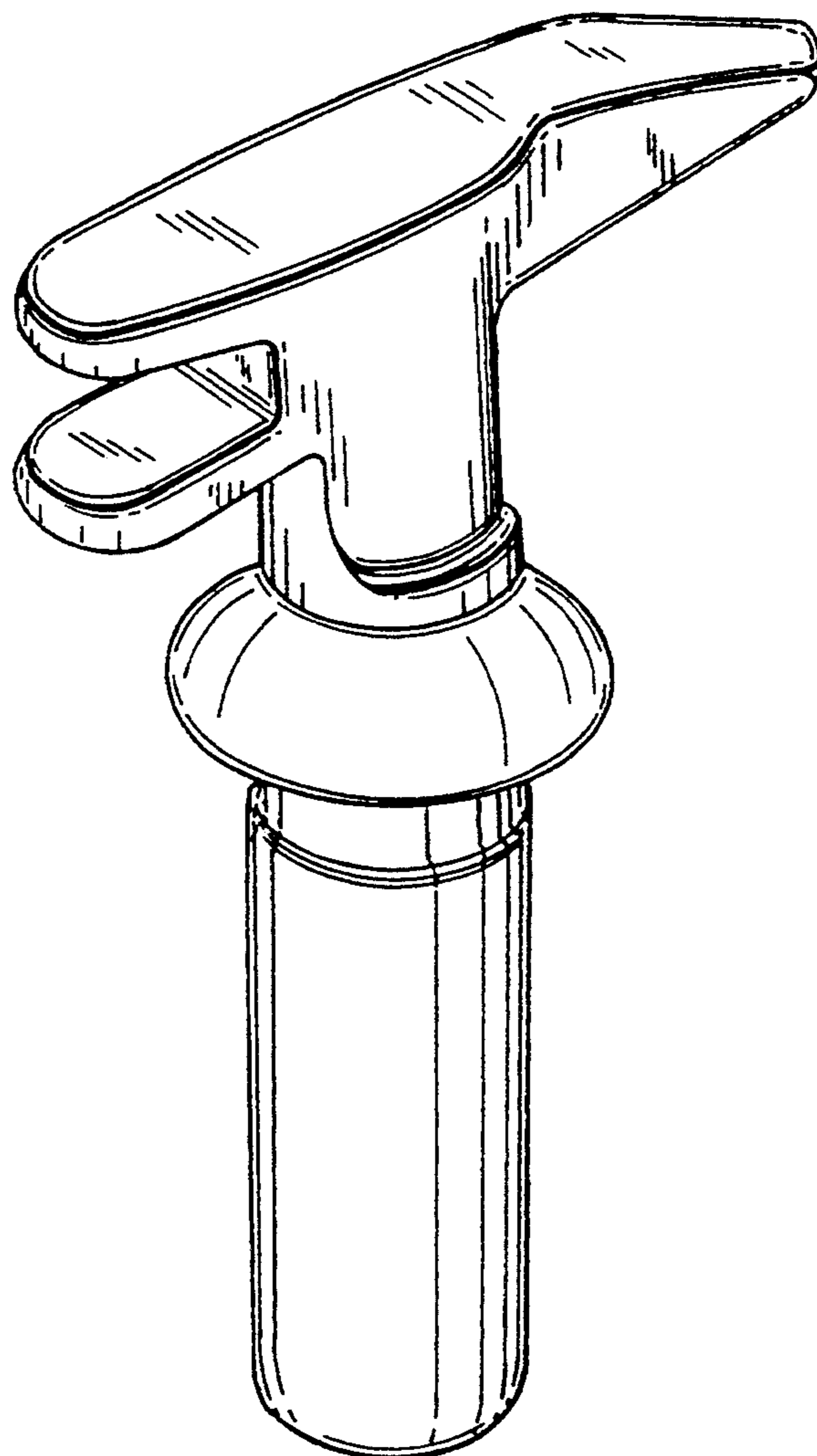


FIG. 2

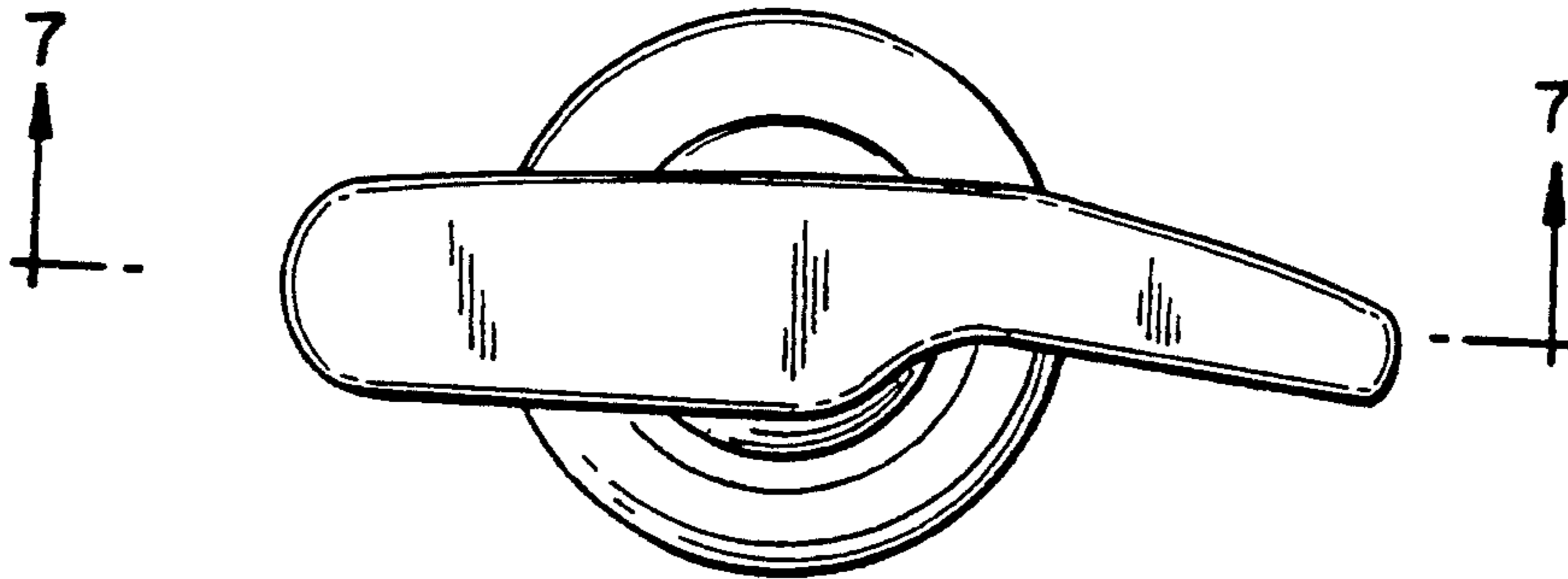


FIG. 3

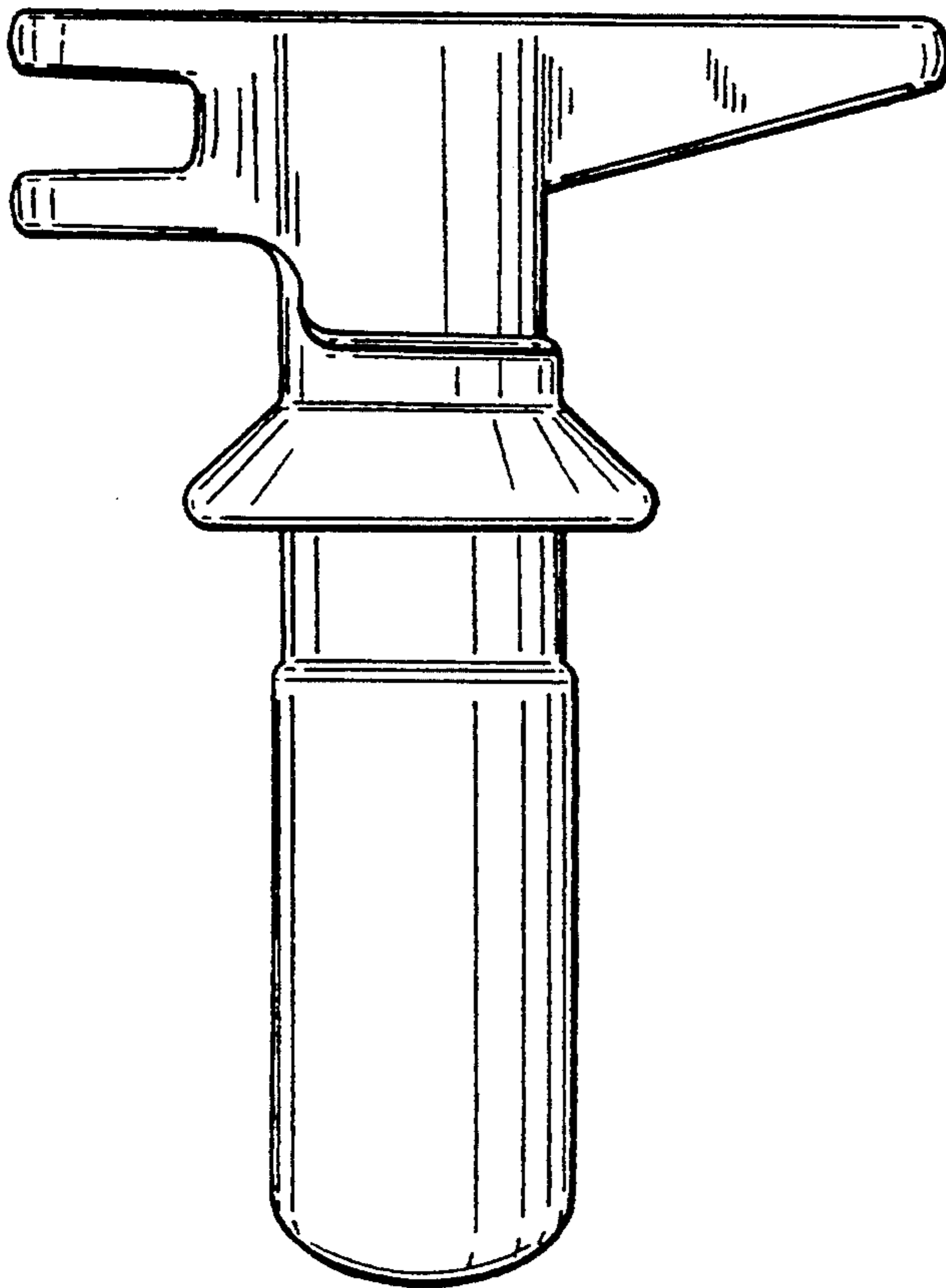


FIG. 4

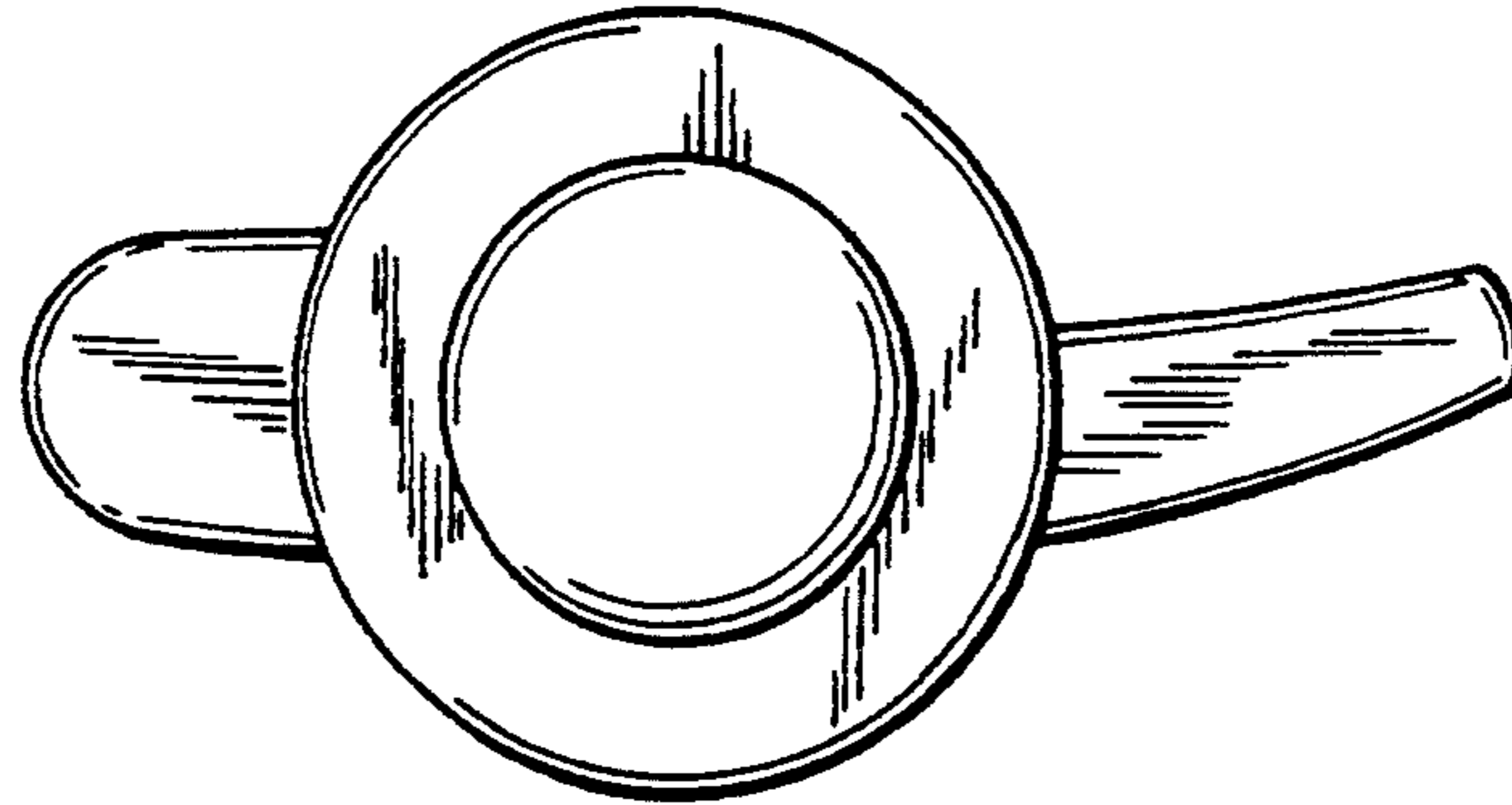


FIG. 5

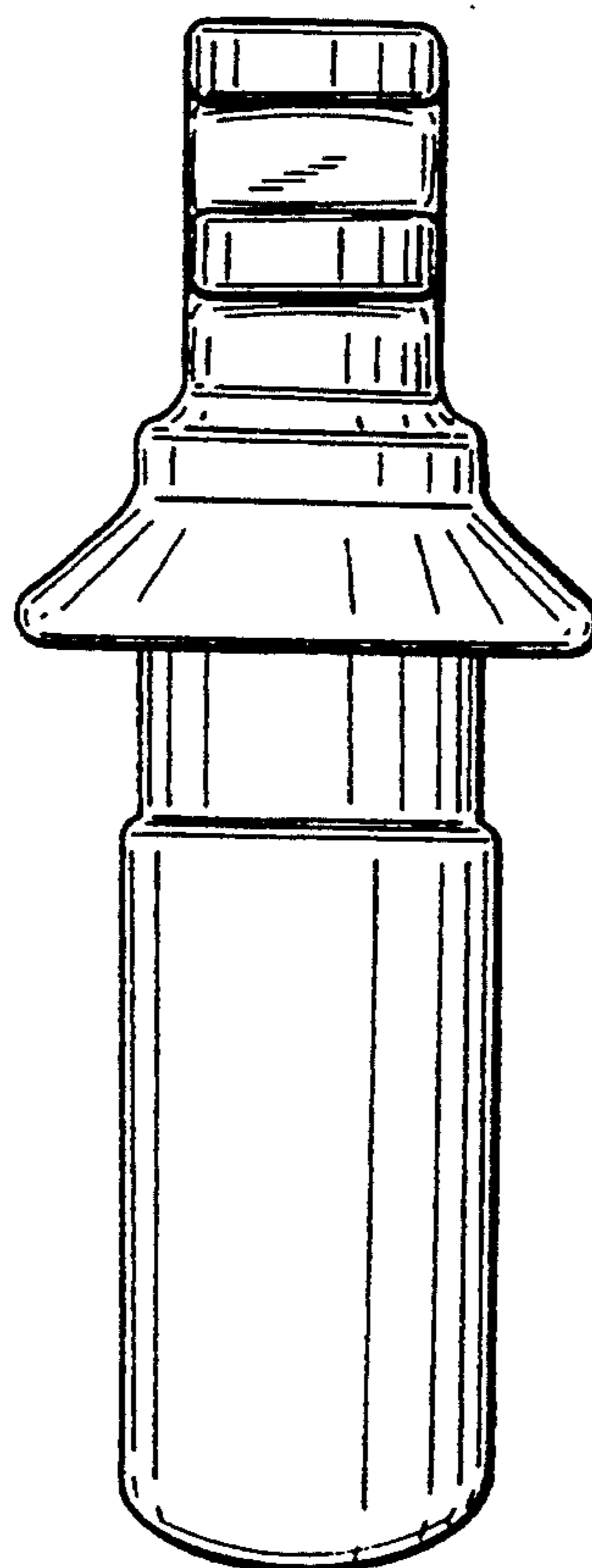


FIG. 6

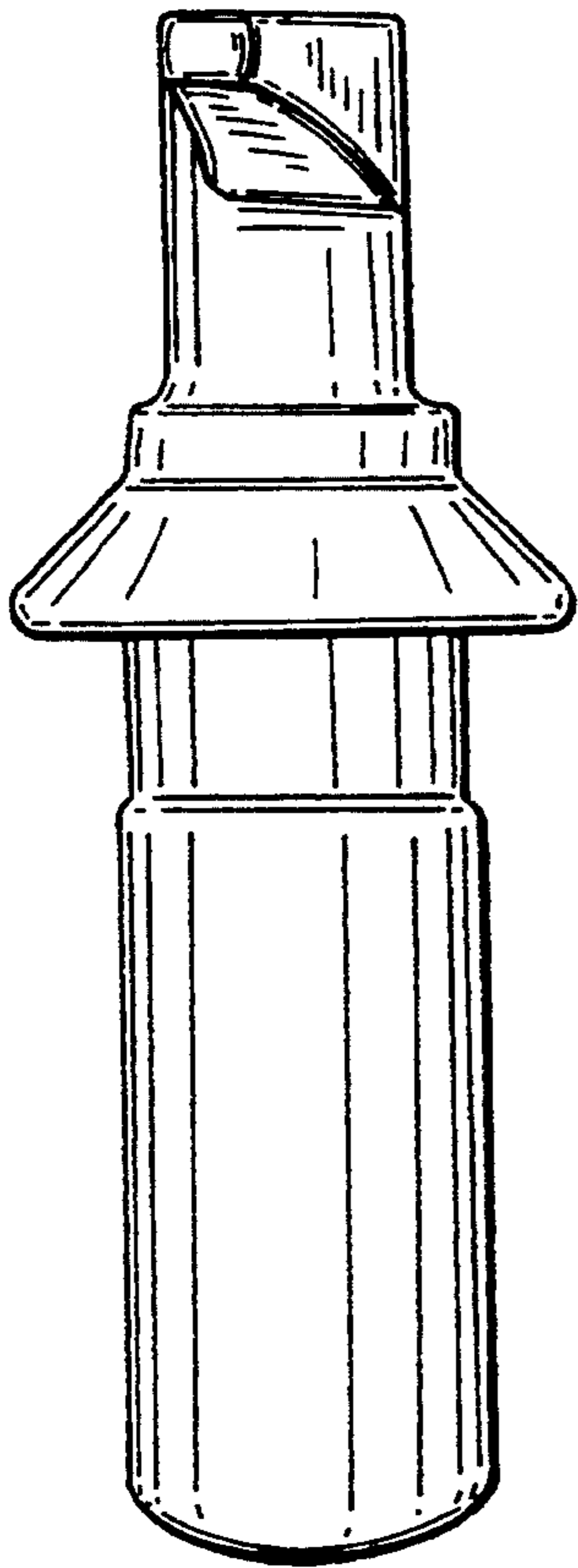


FIG. 7

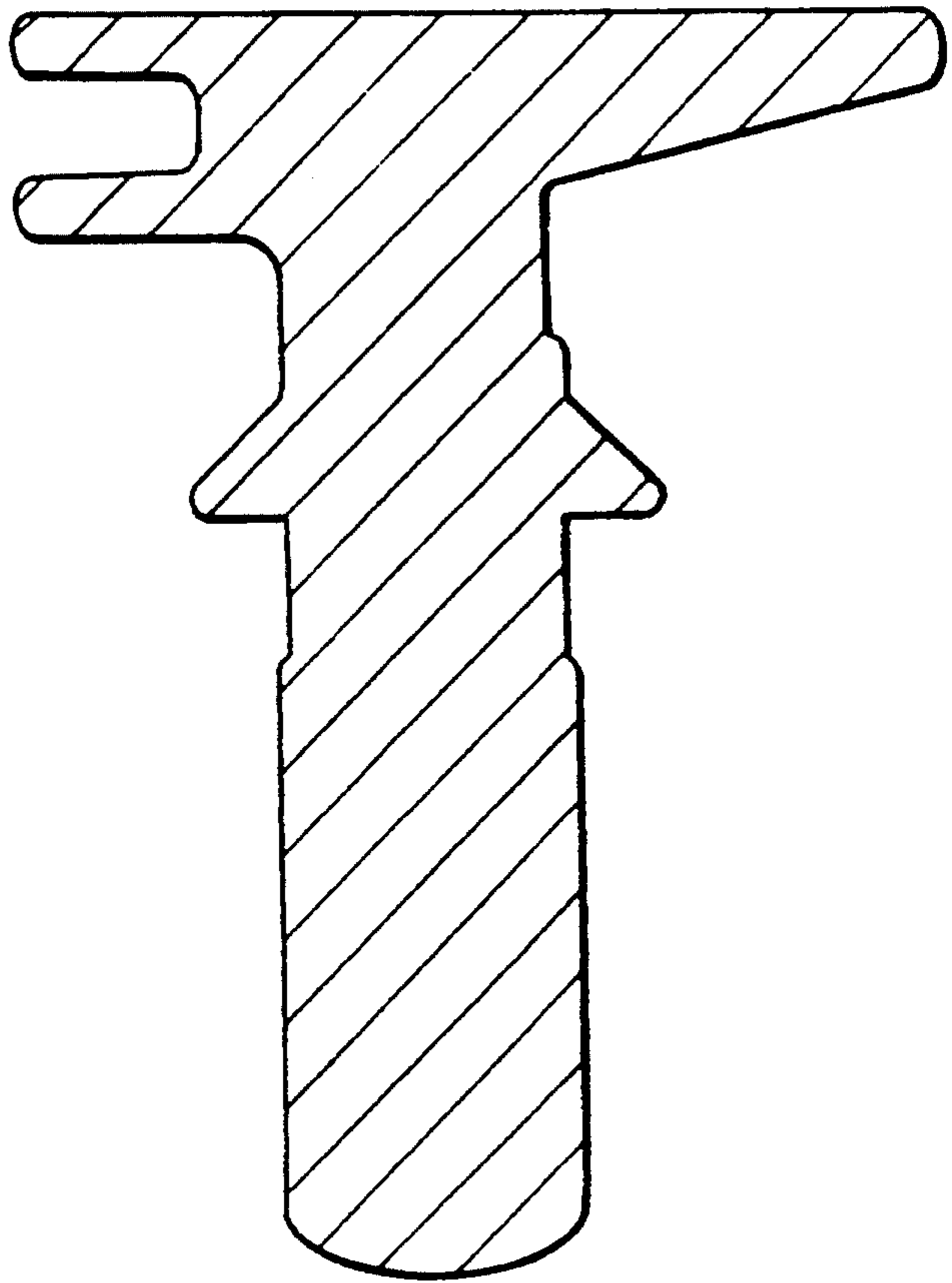


FIG. 8

