



US00D353317S

United States Patent [19]

[11] Patent Number: **Des. 353,317**

Abruzzo

[45] Date of Patent: **** Dec. 13, 1994**

[54] **LOCKING DEAD BOLT**

4,662,665 5/1987 Lin .
5,094,486 3/1992 Foster .

[76] Inventor: **Thomas C. Abruzzo**, 52 Burnham Dr.,
Fords, N.J. 08863

Primary Examiner—Brian N. Vinson
Attorney, Agent, or Firm—Terry M. Gernstein

[**] Term: **14 Years**

[57] **CLAIM**

[21] Appl. No.: **15,326**

The ornamental design for a locking dead bolt, as shown and described.

[22] Filed: **Nov. 15, 1993**

[52] U.S. Cl. **D8/341**

[58] Field of Search D8/330-331,
D8/339-341; 70/77-79, 81, 91, 101, 107-108,
124, 129; 292/340, 341, DIG. 12

DESCRIPTION

FIG. 1 is a front, top and side perspective view of the locking dead bolt showing my new design with the rod being broken for the sake of illustration ease, the multi-holed plate being attached to a stationary object, such as a door frame;

FIG. 2 is a front elevational view thereof;

FIG. 3 is a rear elevational view thereof;

FIG. 4 is a side elevational view thereof, the side opposite being a mirror image of the side shown in FIG. 4;

FIG. 5 is a top plan view thereof; and,

FIG. 6 is a bottom plan view thereof.

[56] References Cited

U.S. PATENT DOCUMENTS

D. 254,954	4/1980	Picard	D8/341
D. 297,109	8/1988	Christie	D8/341
2,584,088	1/1952	Floyd	70/108
3,147,031	9/1964	Olander	292/340
4,263,795	4/1981	Van Gompel	

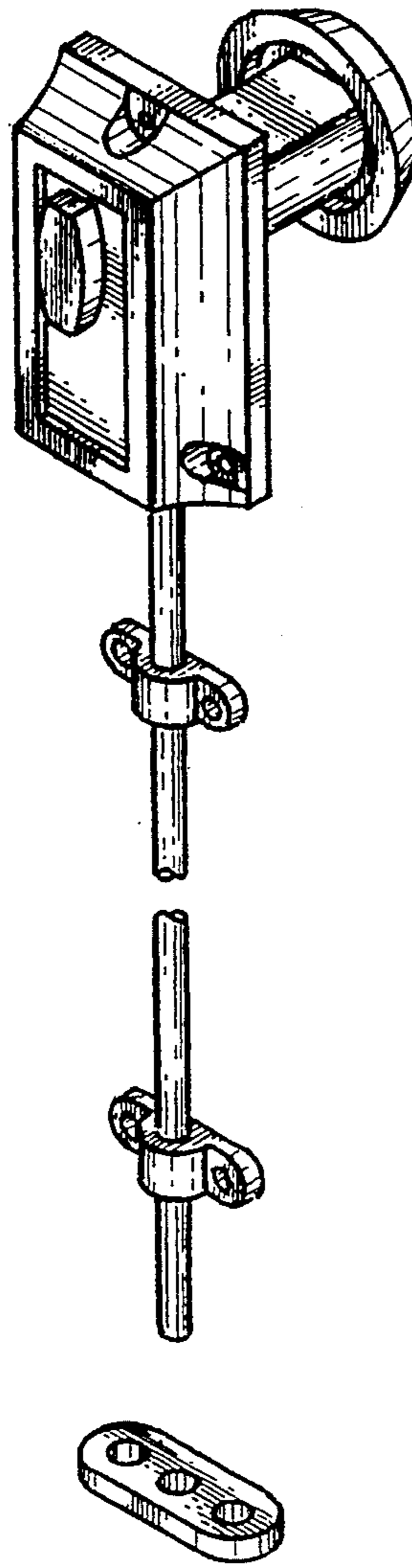
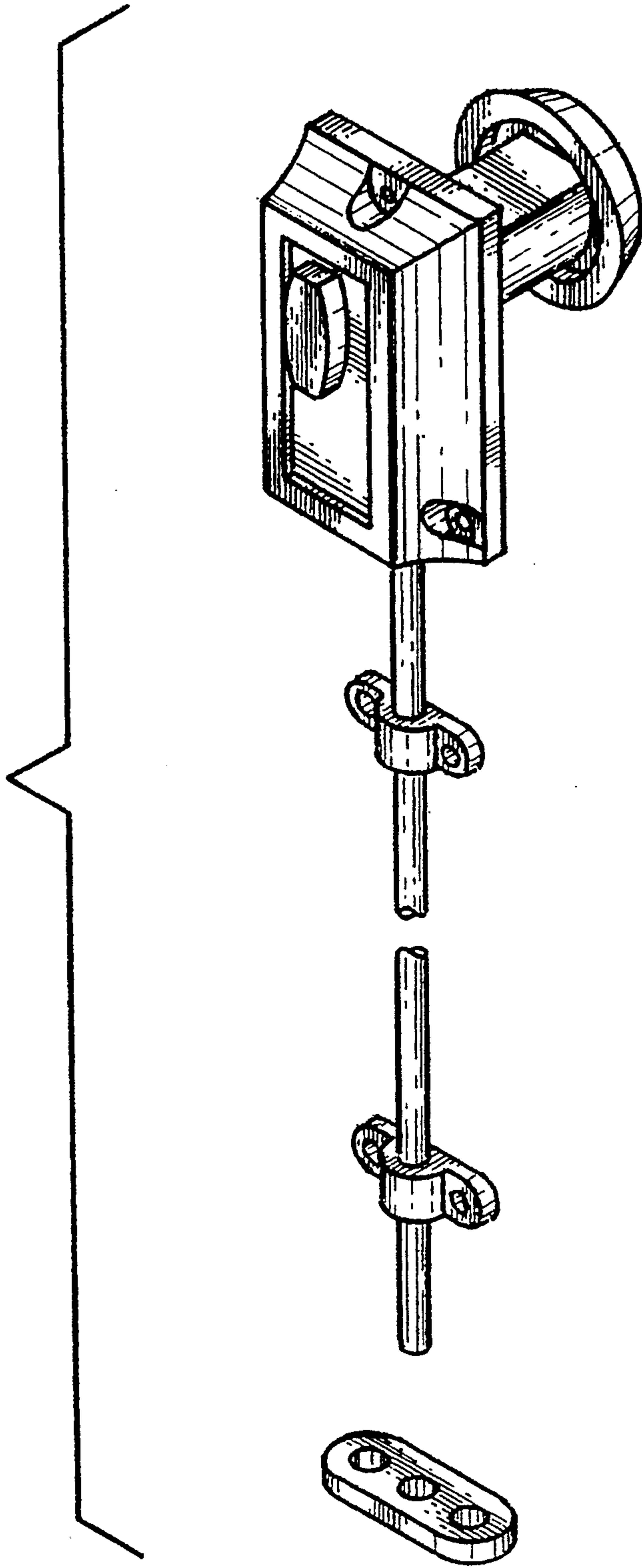
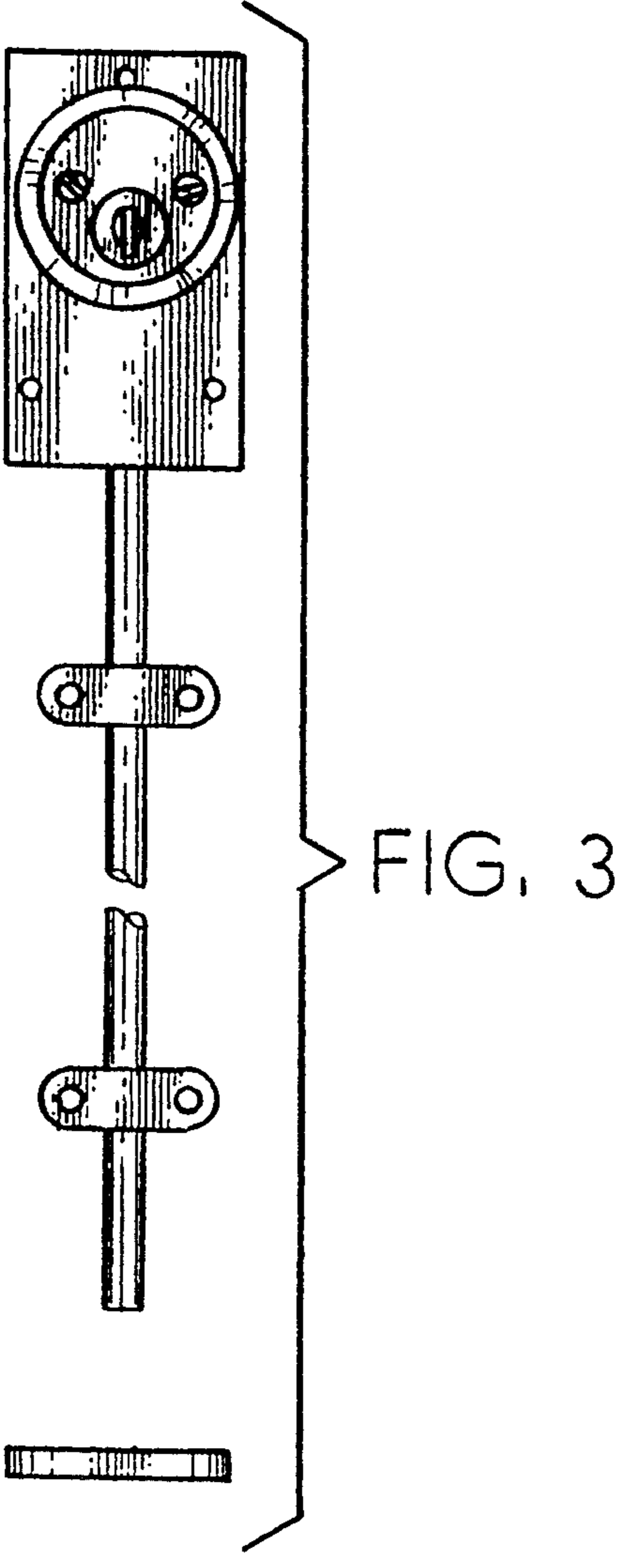
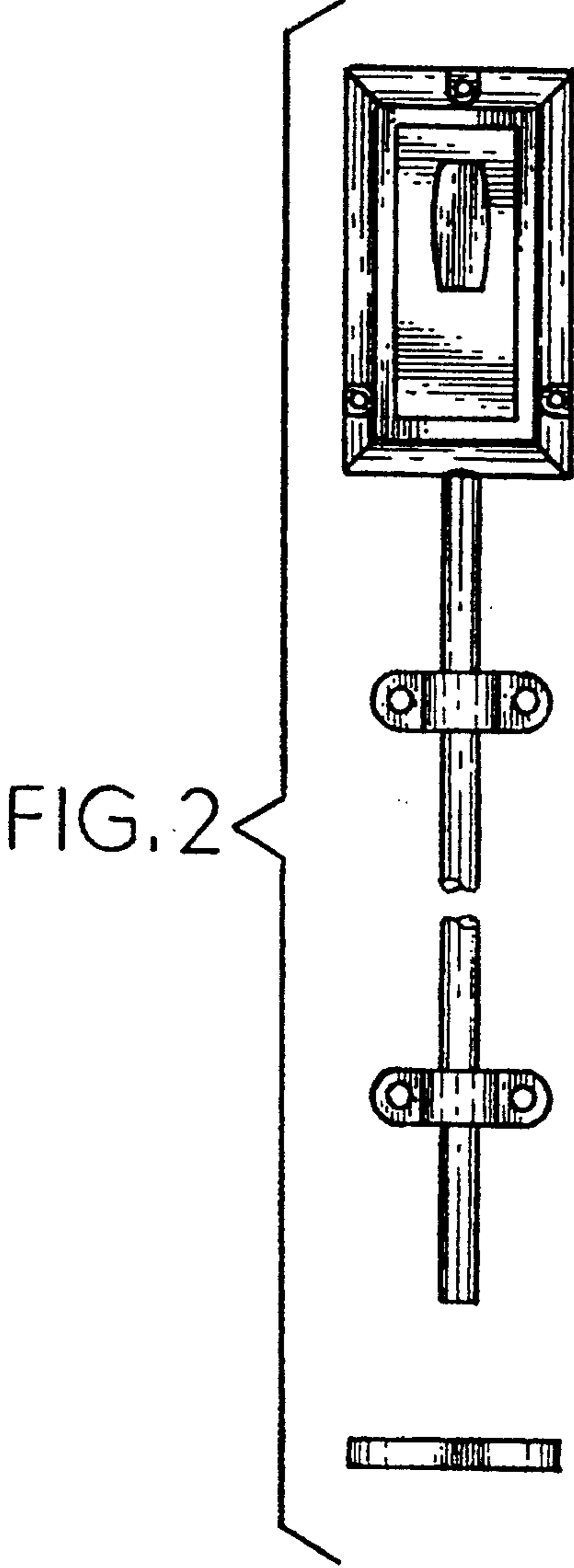
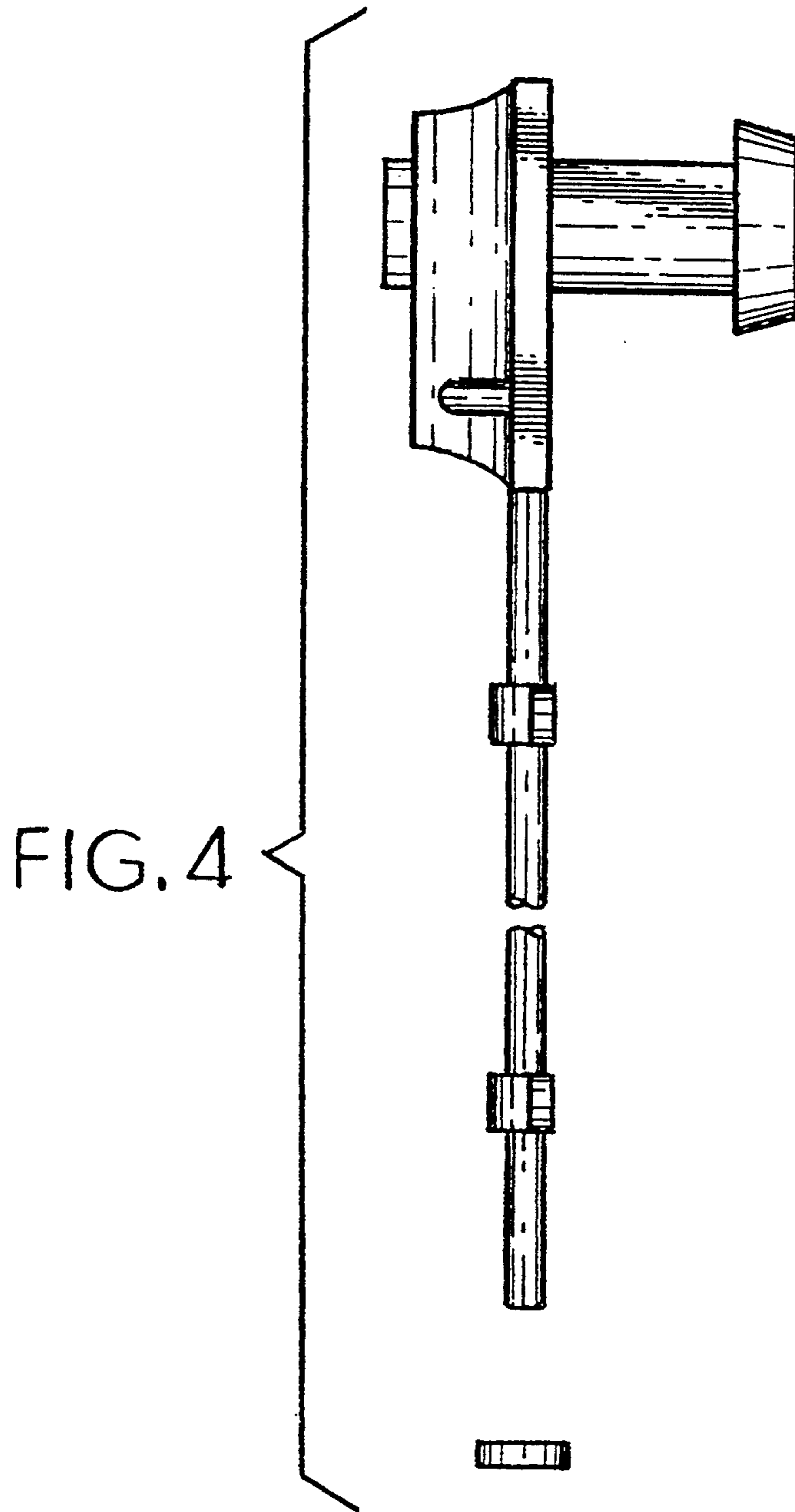


FIG. 1







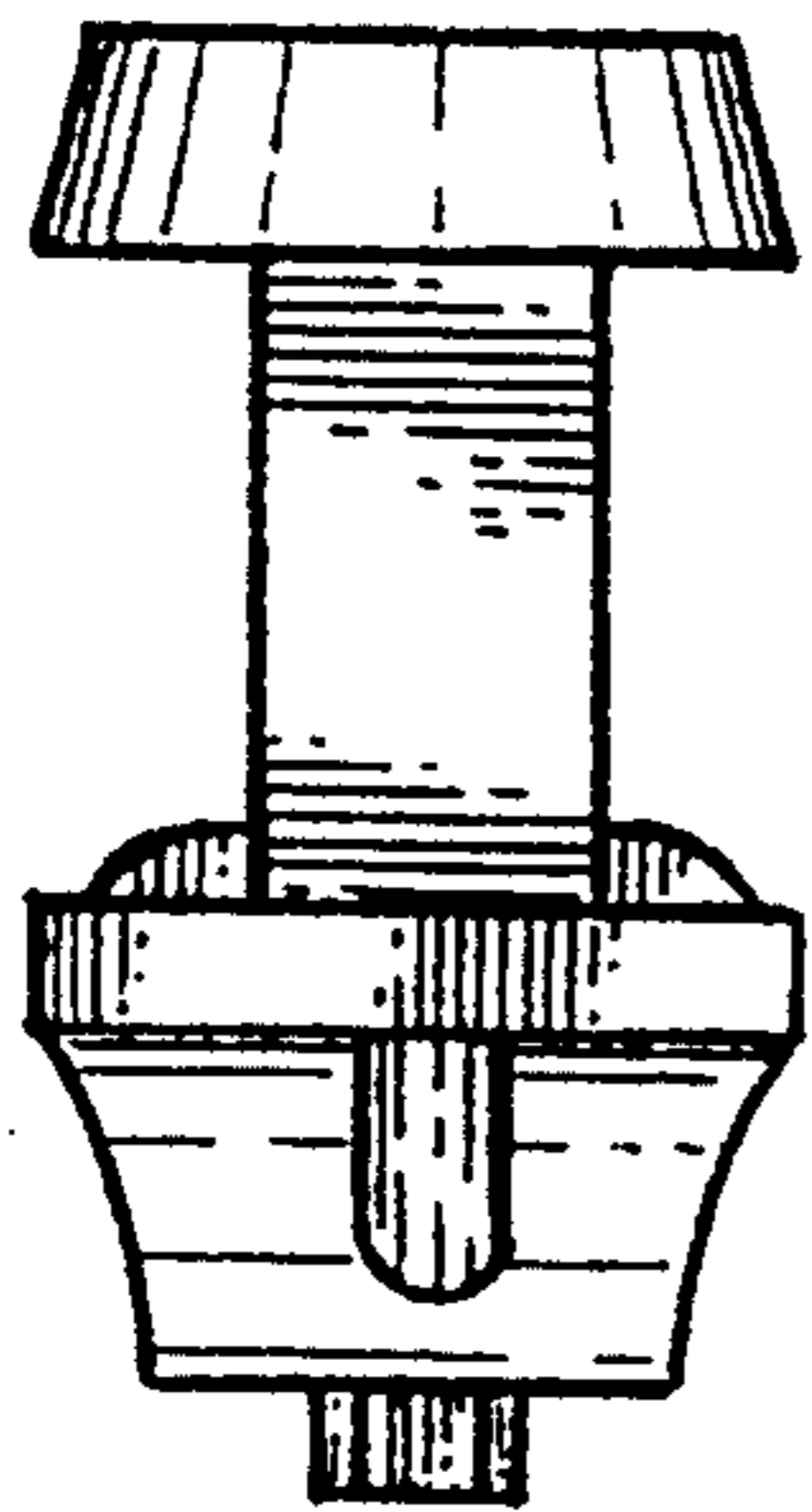


FIG. 5

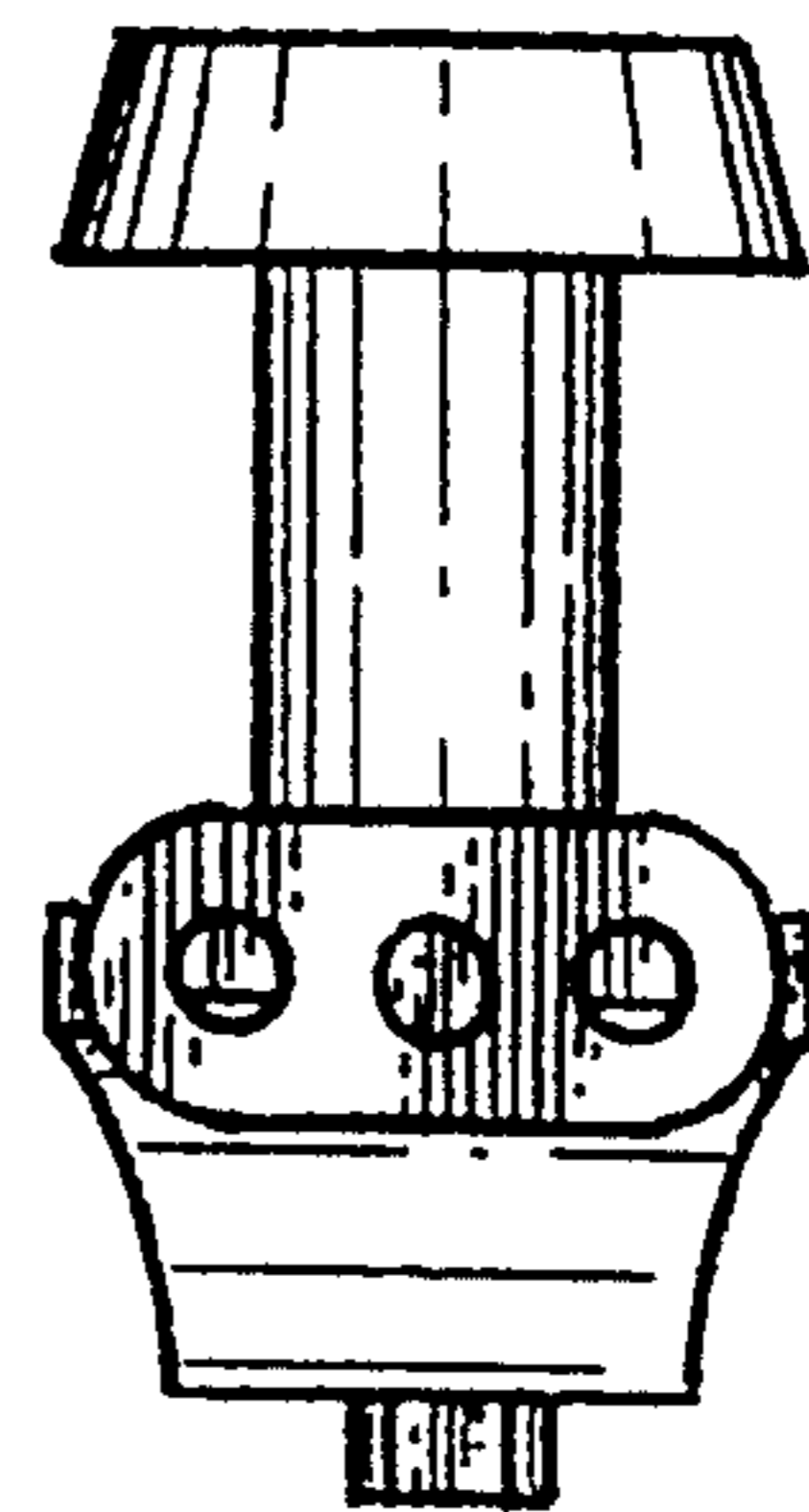


FIG. 6