



US00D353315S

United States Patent [19]

[11] Patent Number: **Des. 353,315**

Romeo

[45] Date of Patent: **** Dec. 13, 1994**

[54] **SPIKE REMOVING TOOL**

[76] Inventor: **Robert J. Romeo, 43 Manor La.,
Wolcott, Conn. 06716**

[**] Term: **14 Years**

[21] Appl. No.: **8,827**

[22] Filed: **May 27, 1993**

[52] U.S. Cl. **D8/70; D8/21;
D8/86; D21/234**

[58] Field of Search **D8/14, 21, 70, 86;
81/176.1, 176.15, 176.2, 176.3, 124.2, 461;
D21/234**

[56] **References Cited**

U.S. PATENT DOCUMENTS

- D. 209,973 1/1968 Klitzner D21/234
- D. 305,056 12/1989 Ricks D21/234
- D. 306,471 3/1990 Gabbert, Jr. D21/234
- D. 329,795 9/1992 Bird et al. D8/86

- D. 342,004 12/1993 Wettstein D8/70
- 4,262,562 4/1981 MacNeill 81/176.15
- 5,048,378 9/1991 Nikolas 81/176.15
- 5,272,943 12/1993 Edwards 81/176.15

Primary Examiner—Melvin B. Feifer
Assistant Examiner—Philip Hyder
Attorney, Agent, or Firm—Melvin I. Stoltz

[57] CLAIM

The ornamental design for a spike removing tool, as shown and described.

DESCRIPTION

FIG. 1 is a perspective view of the spike removing tool showing my new design;
FIG. 2 is a top plan view thereof;
FIG. 3 is a front elevational view thereof;
FIG. 4 is a side elevational view thereof looking from the right side of FIG. 2, the opposite side being identical in appearance; and,
FIG. 5 is a bottom plan view thereof.

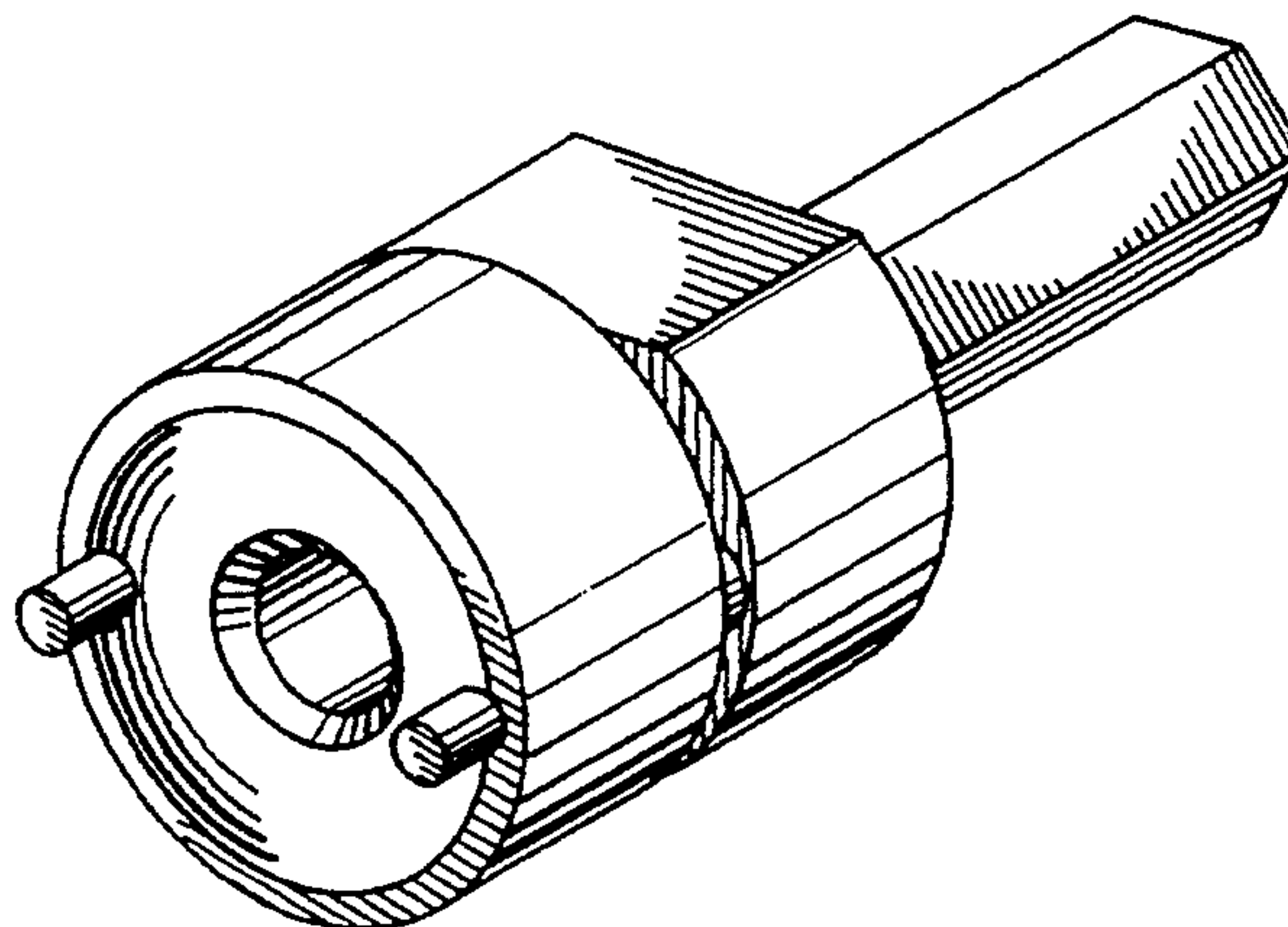


FIG. 1

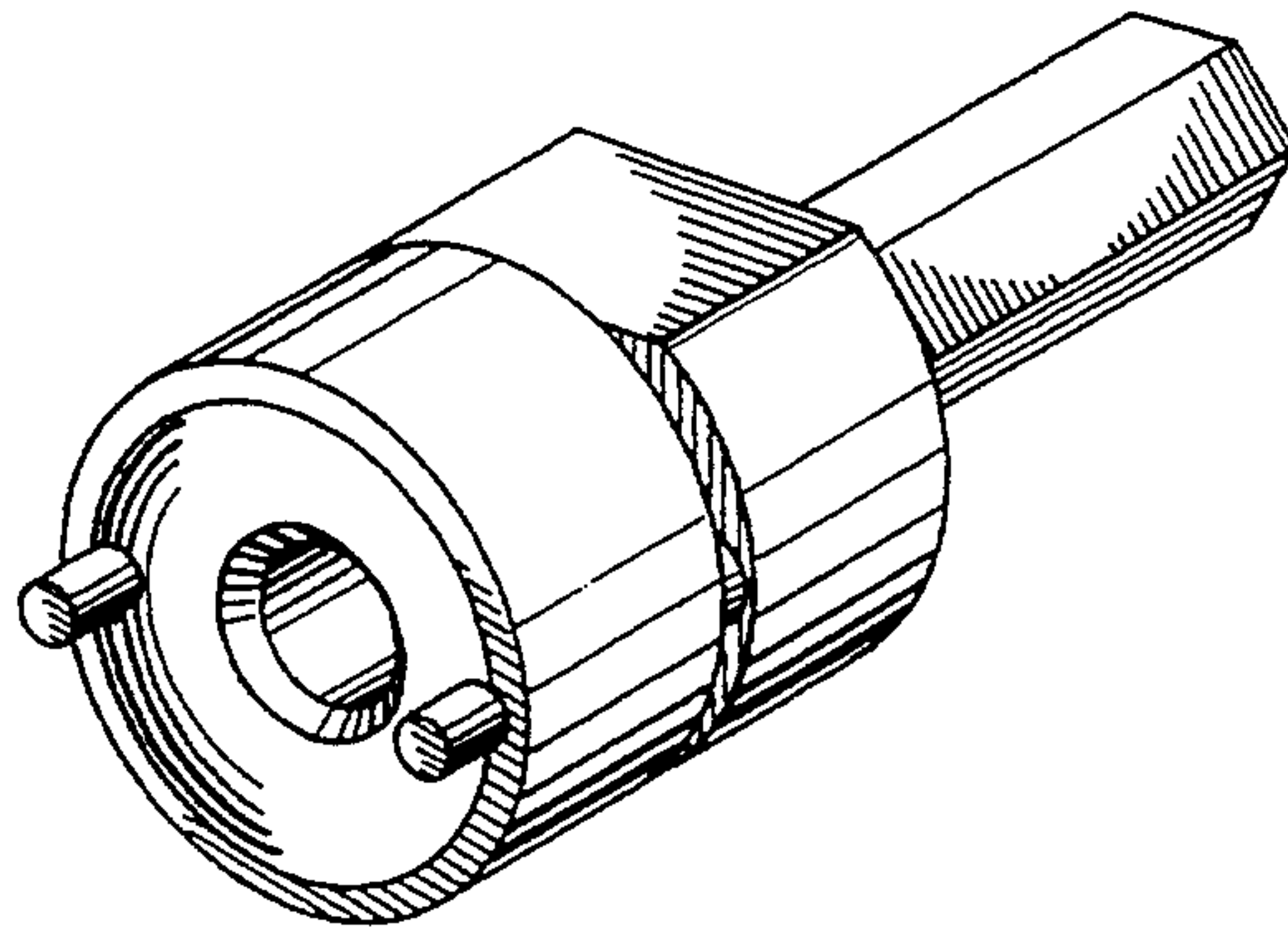


FIG. 2

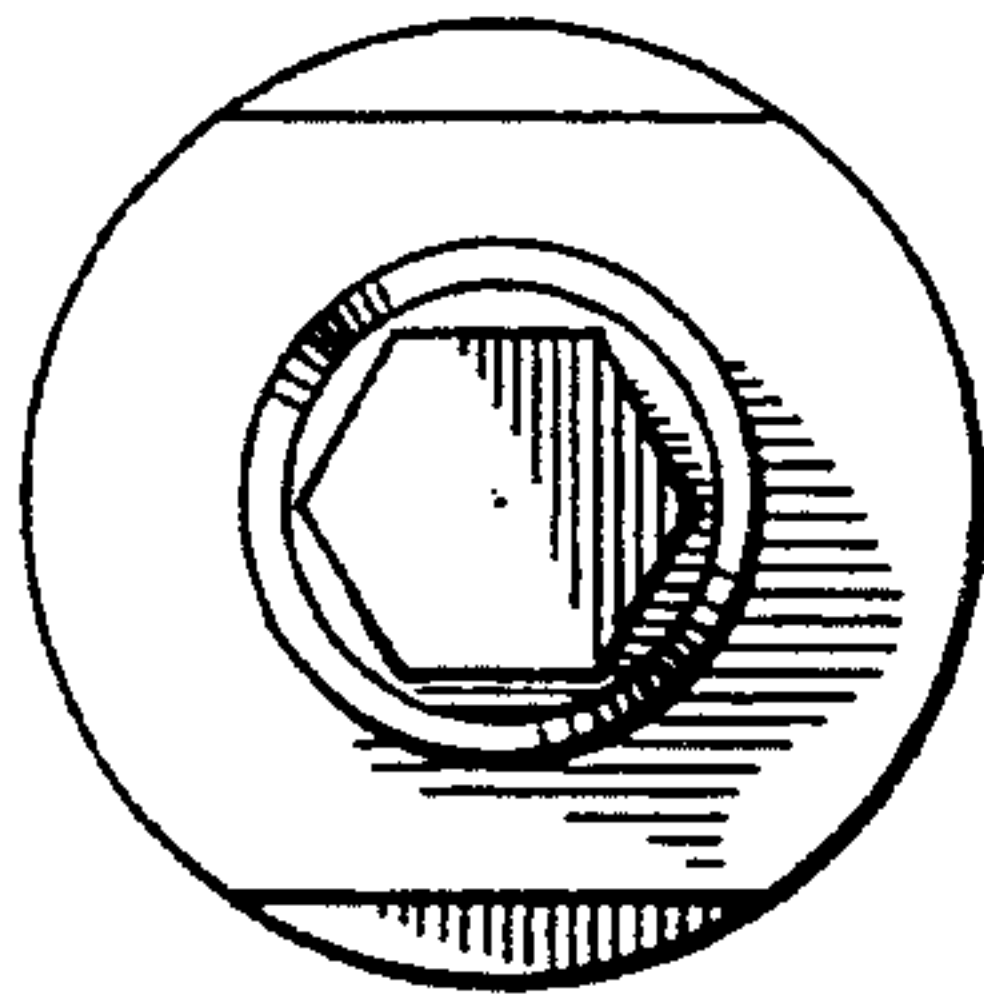


FIG. 5

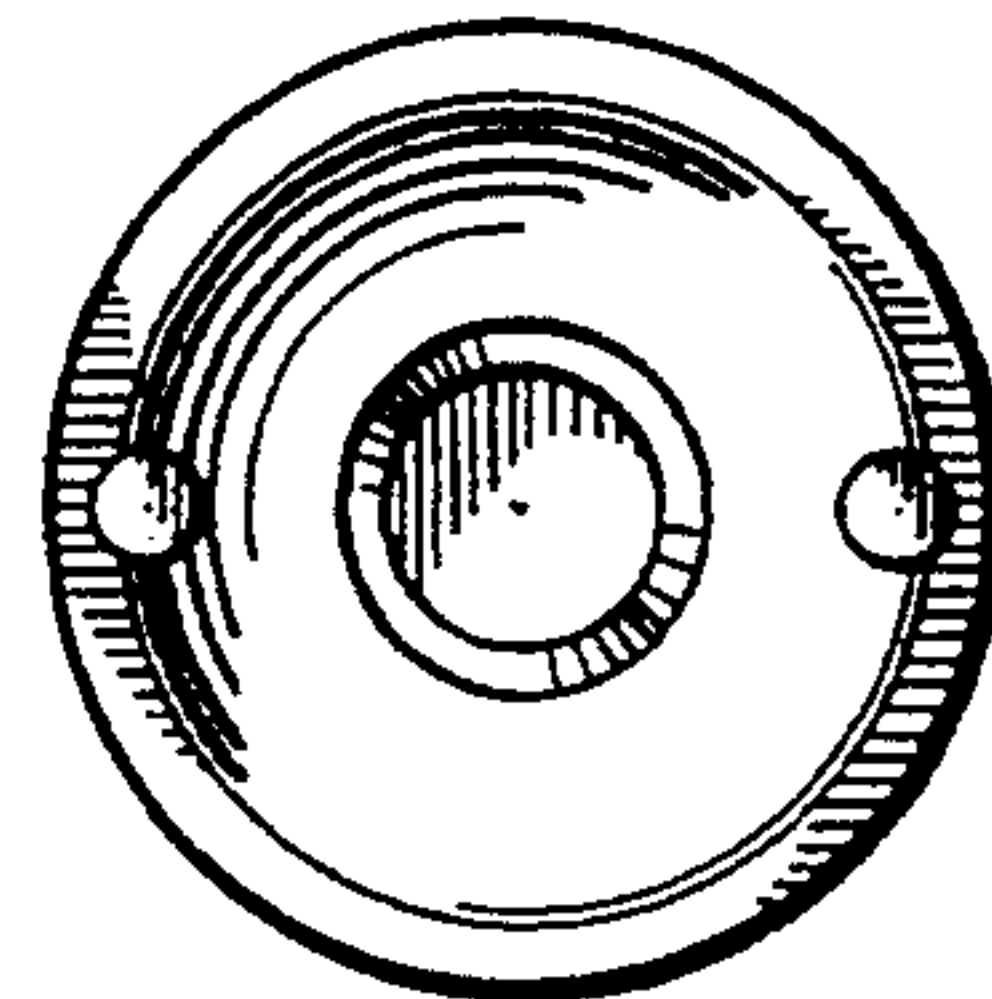


FIG. 3

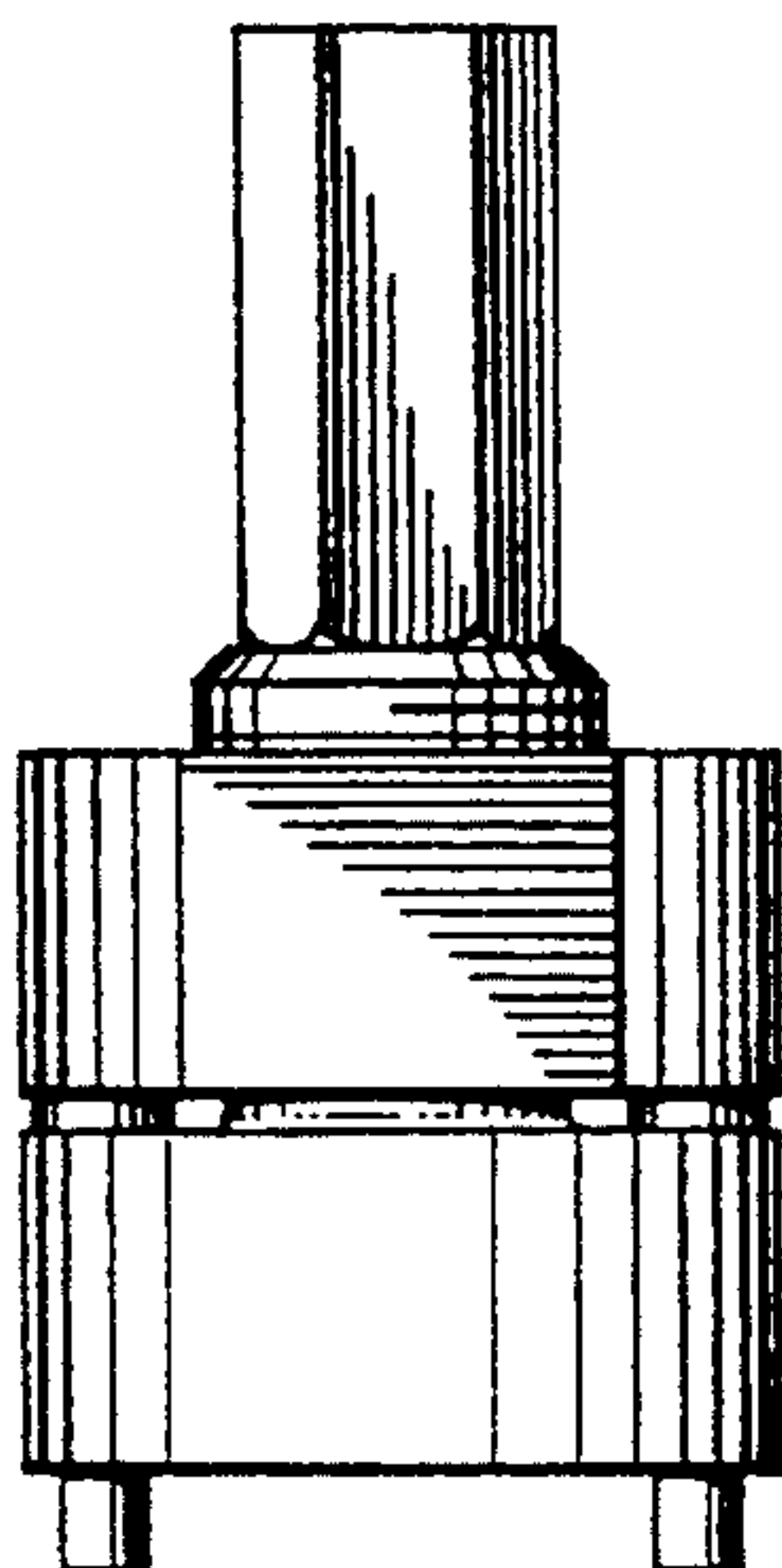


FIG. 4

